

# ASSEMBLY INSTRUCTION

## NOTES:

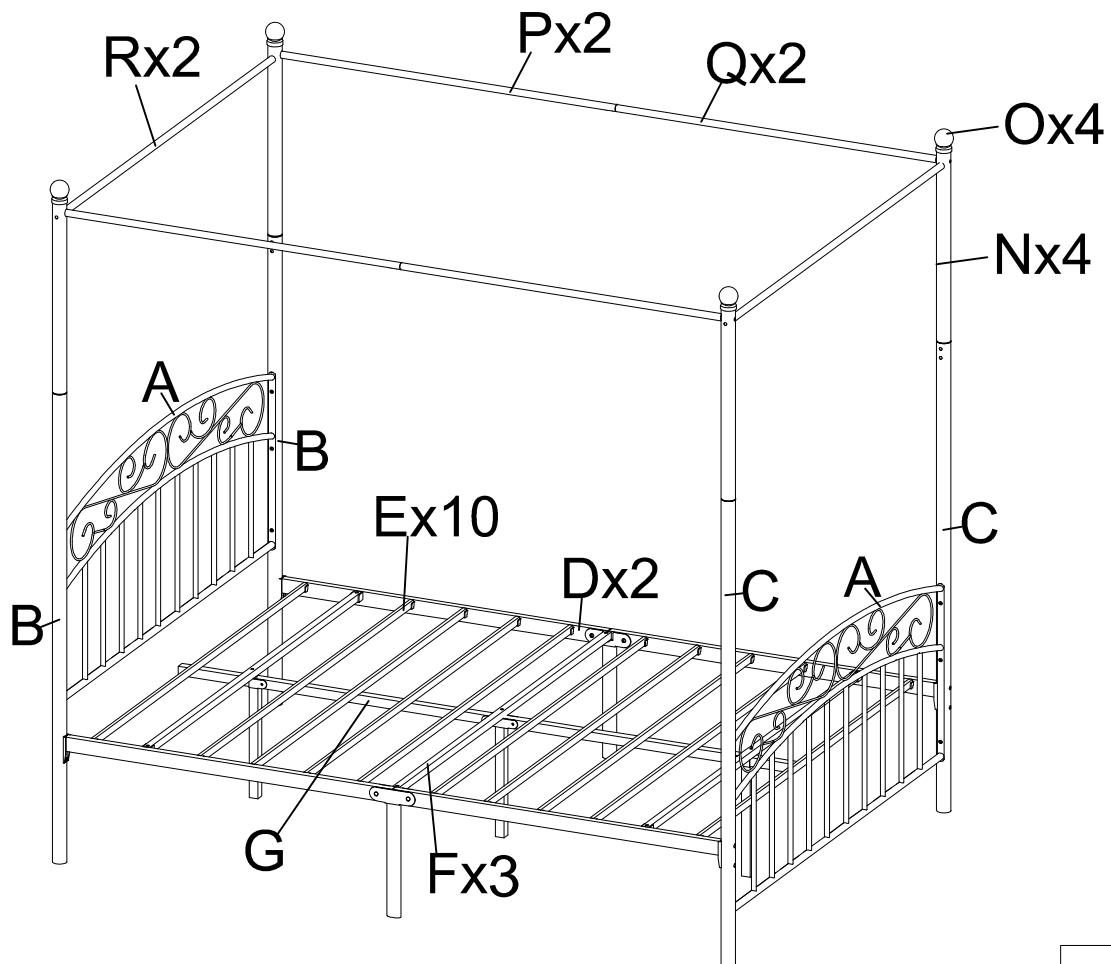
- Do not skip any step.
- Do not fully tight screws until all the bed parts are assembled.

## WARNING:

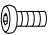

WARNIND FOR YOUNG CHILDREN-This product contains small components,please ensure that they are kept away from small children while assembling.

## Warranty Information:

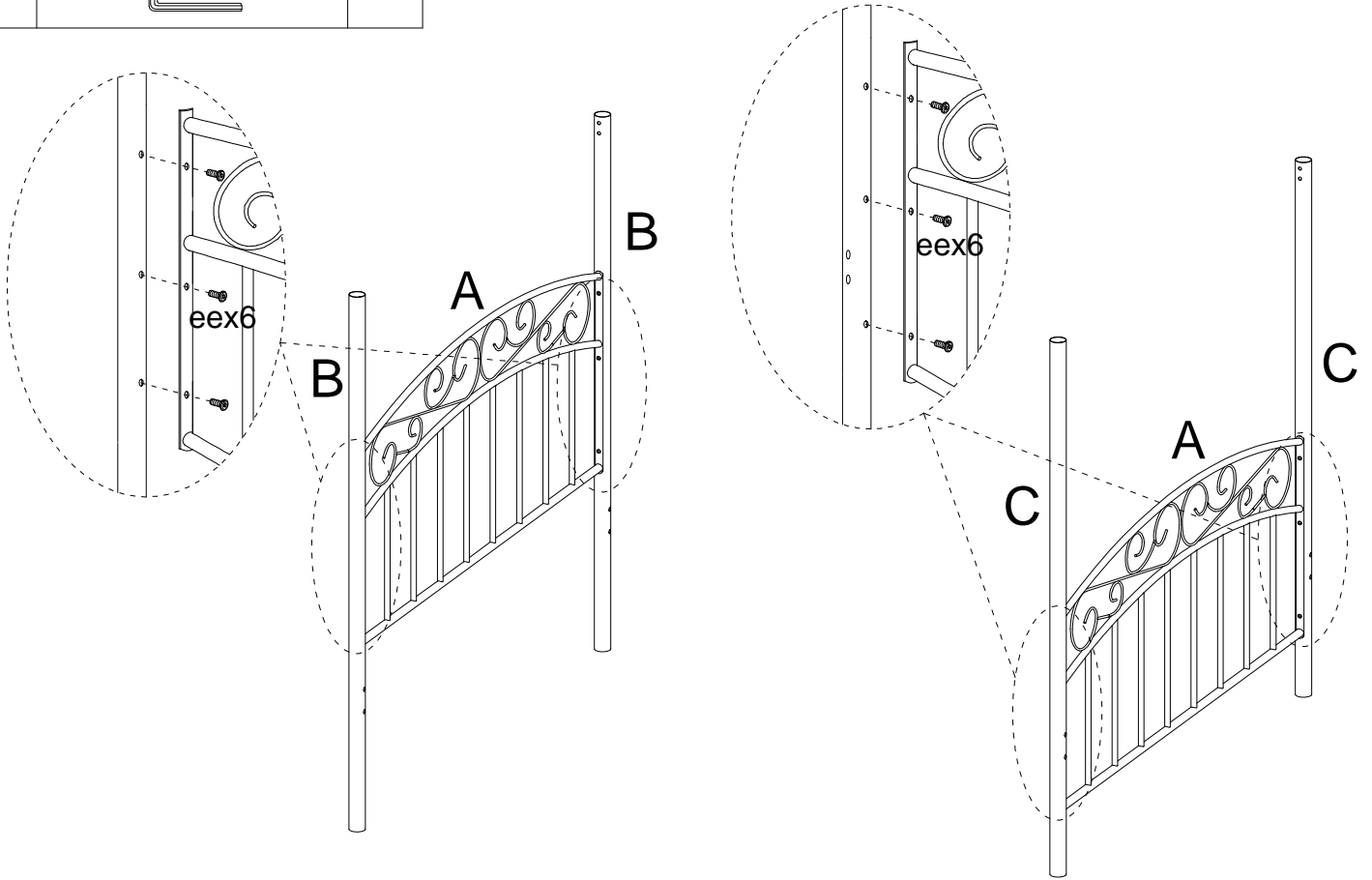
We warranty this product to be free from defects in materials.This warranty covers one year from the date of original purchase.



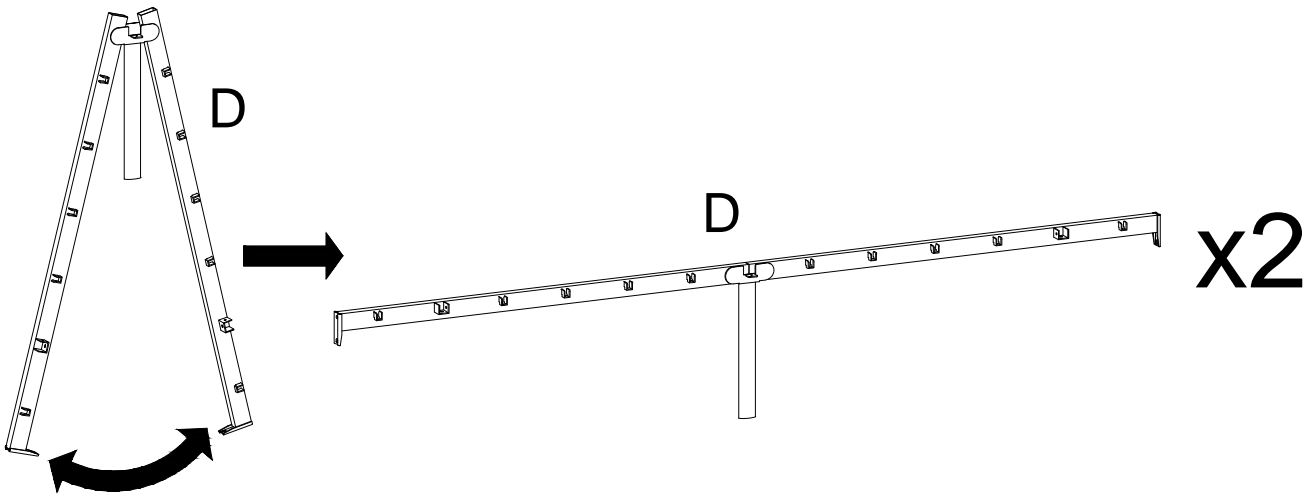


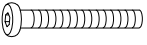

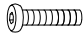

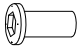
ee		M6x12	12
hh			1

Step 1

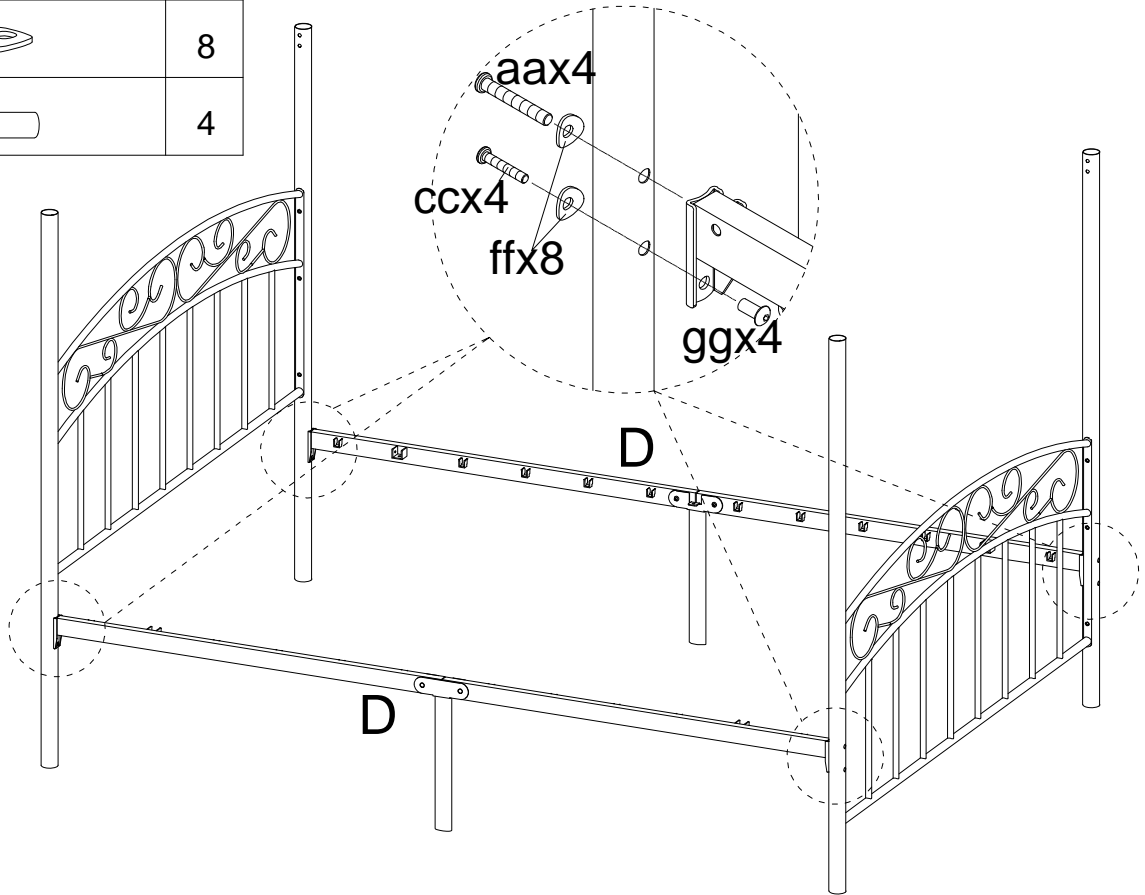


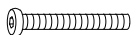

Step 2



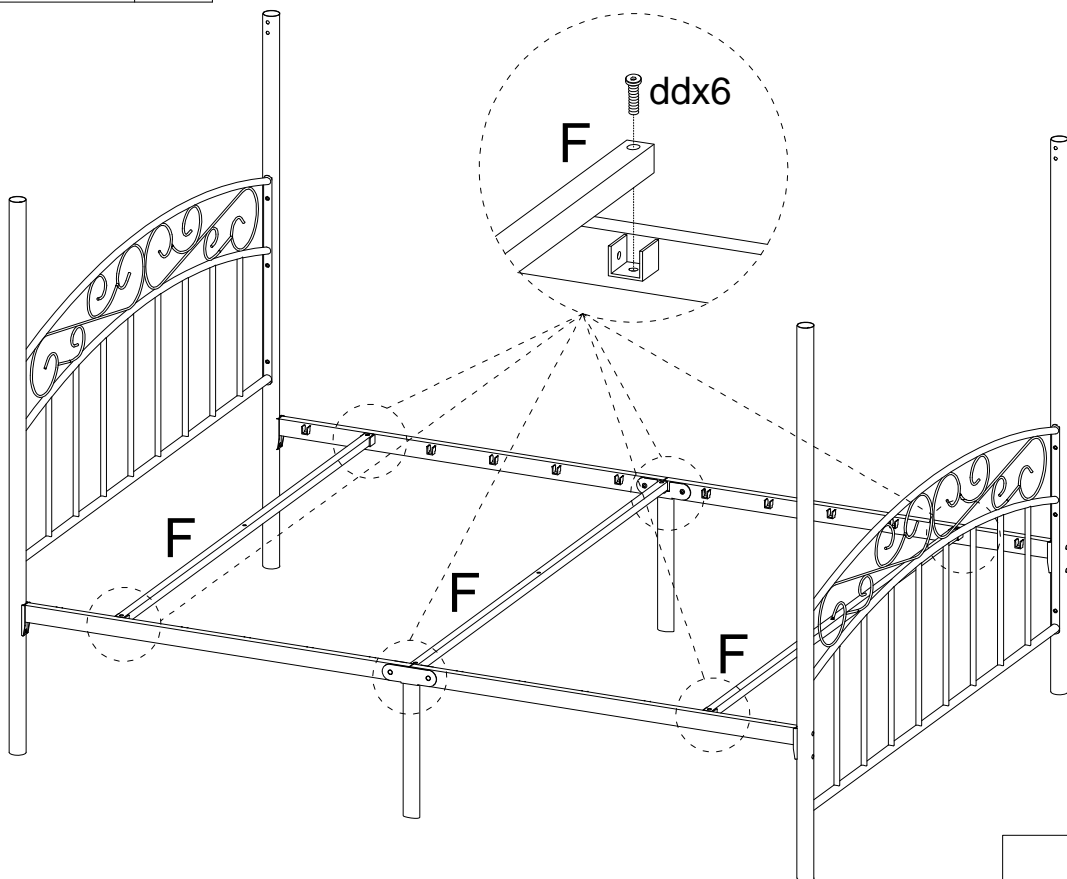
aa		M8x55	4	hh		2
cc		M6x35	4			
ff			8			
gg			4			

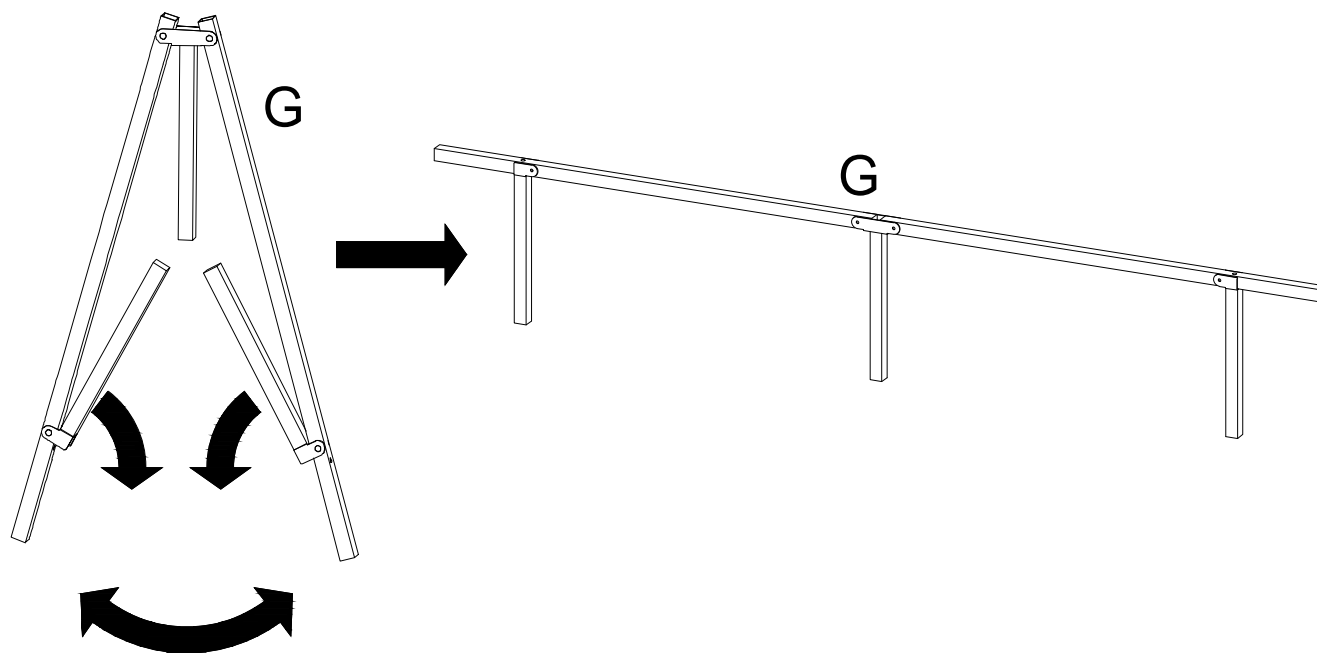
Step 3






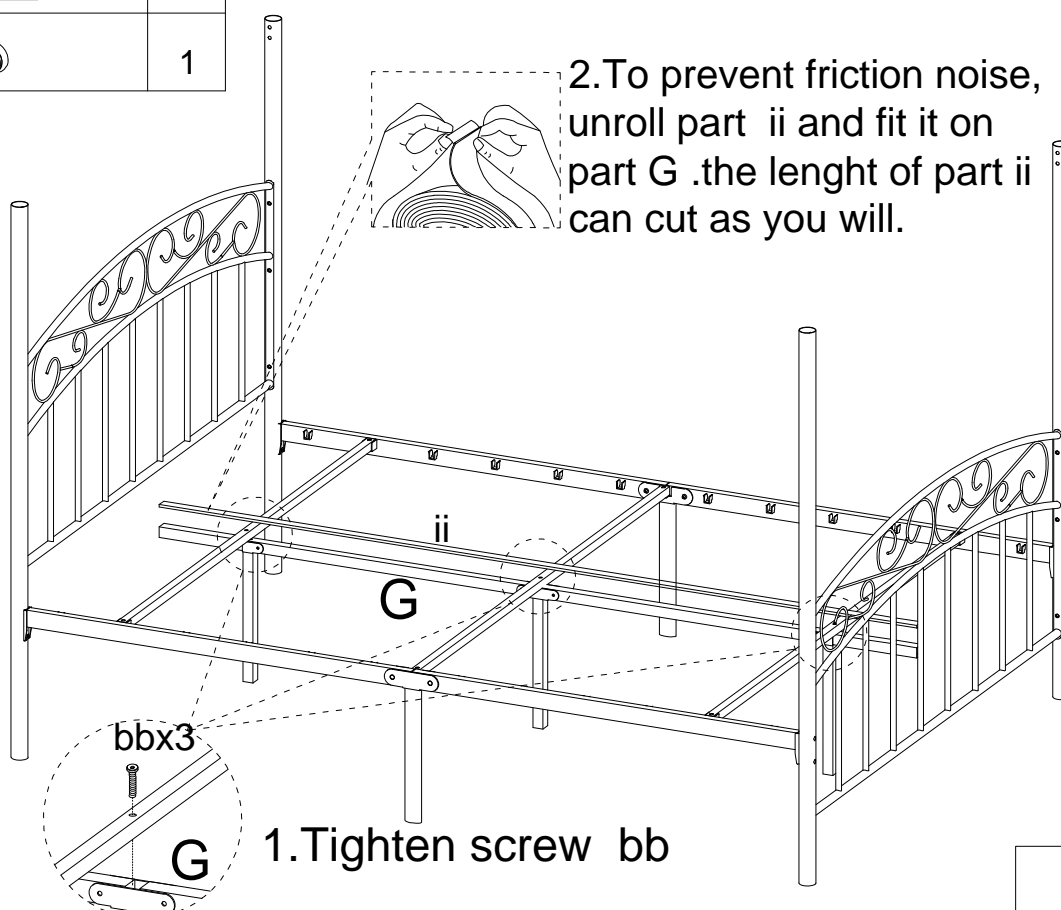
dd		M6x30	6			
hh			1			

Step 4





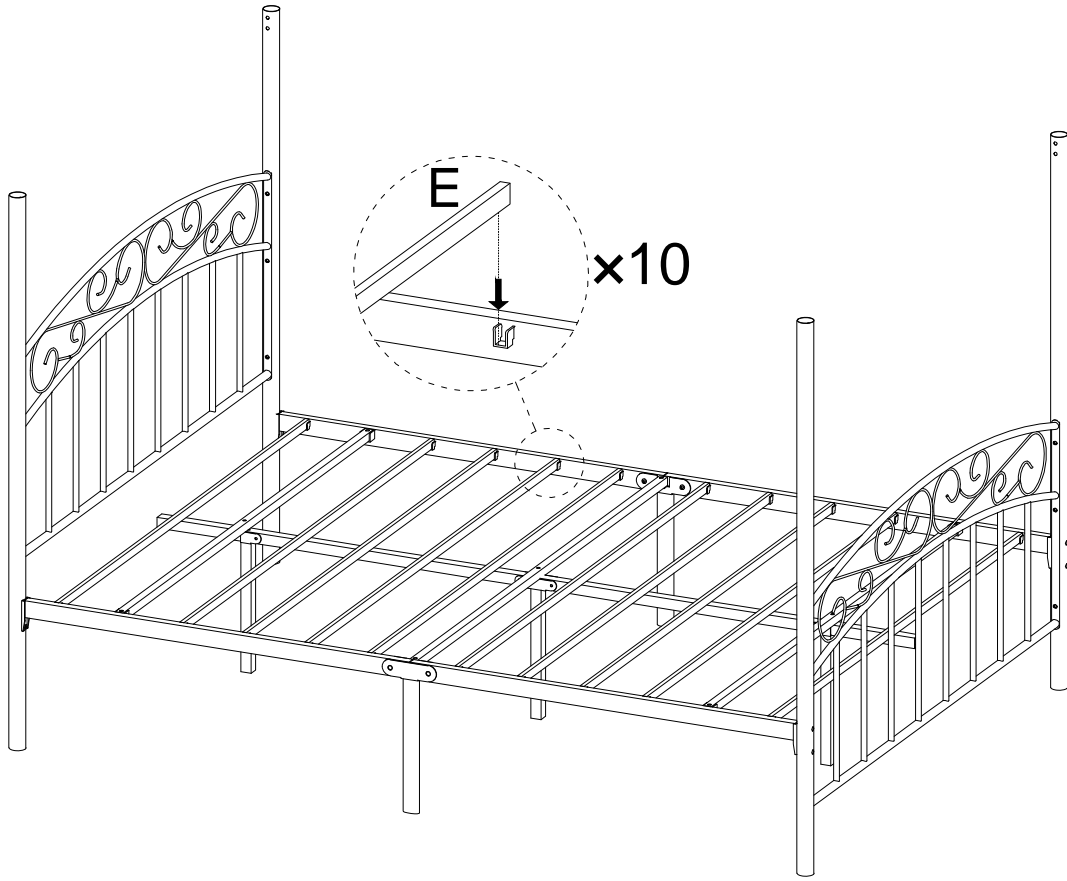
bb		M6x55	3
hh			1
ii			1

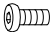



2. To prevent friction noise, unroll part ii and fit it on part G. the length of part ii can cut as you will.

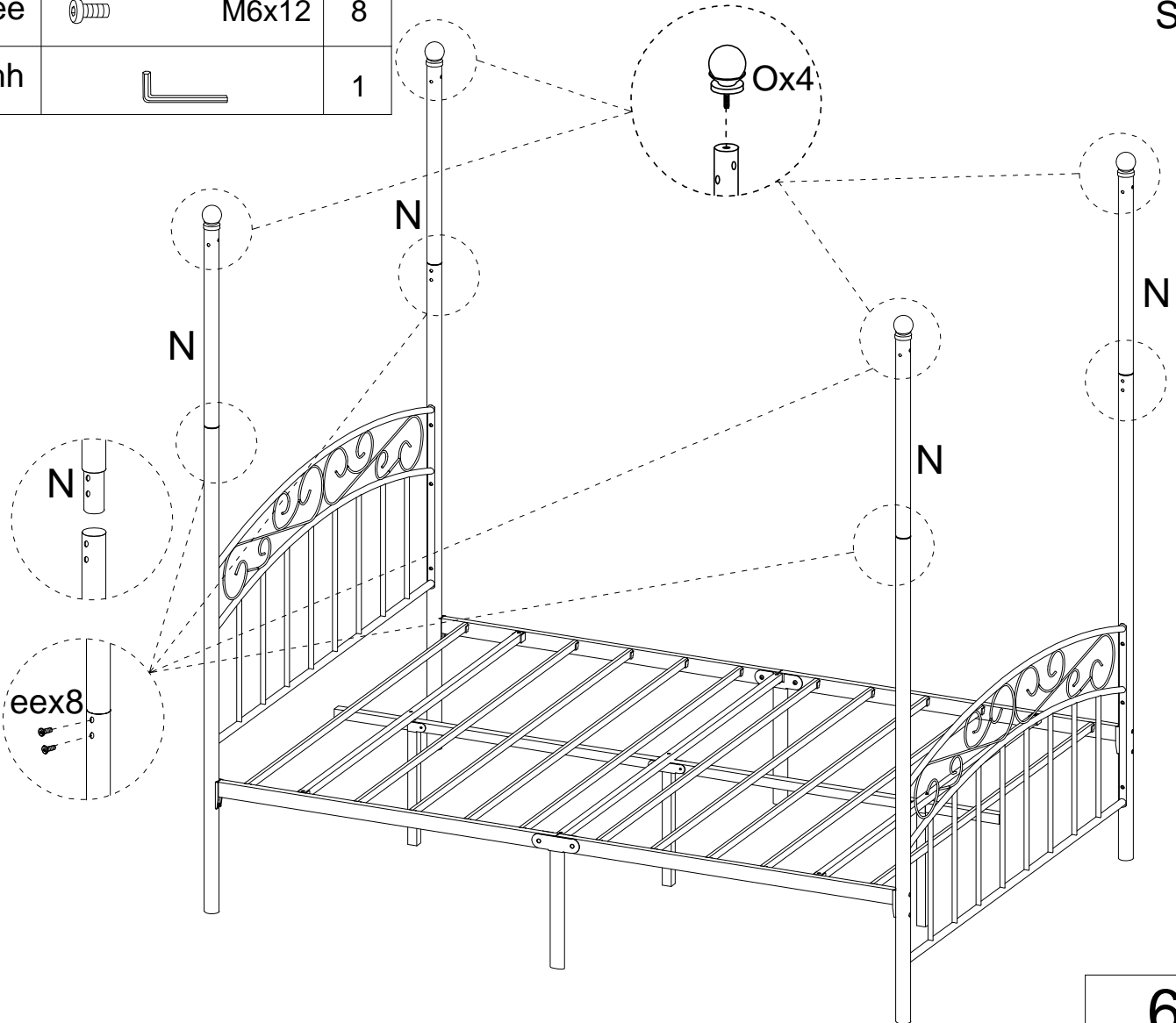
1. Tighten screw bb

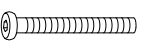
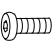


Step 7

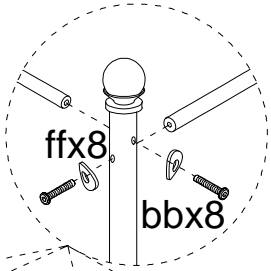
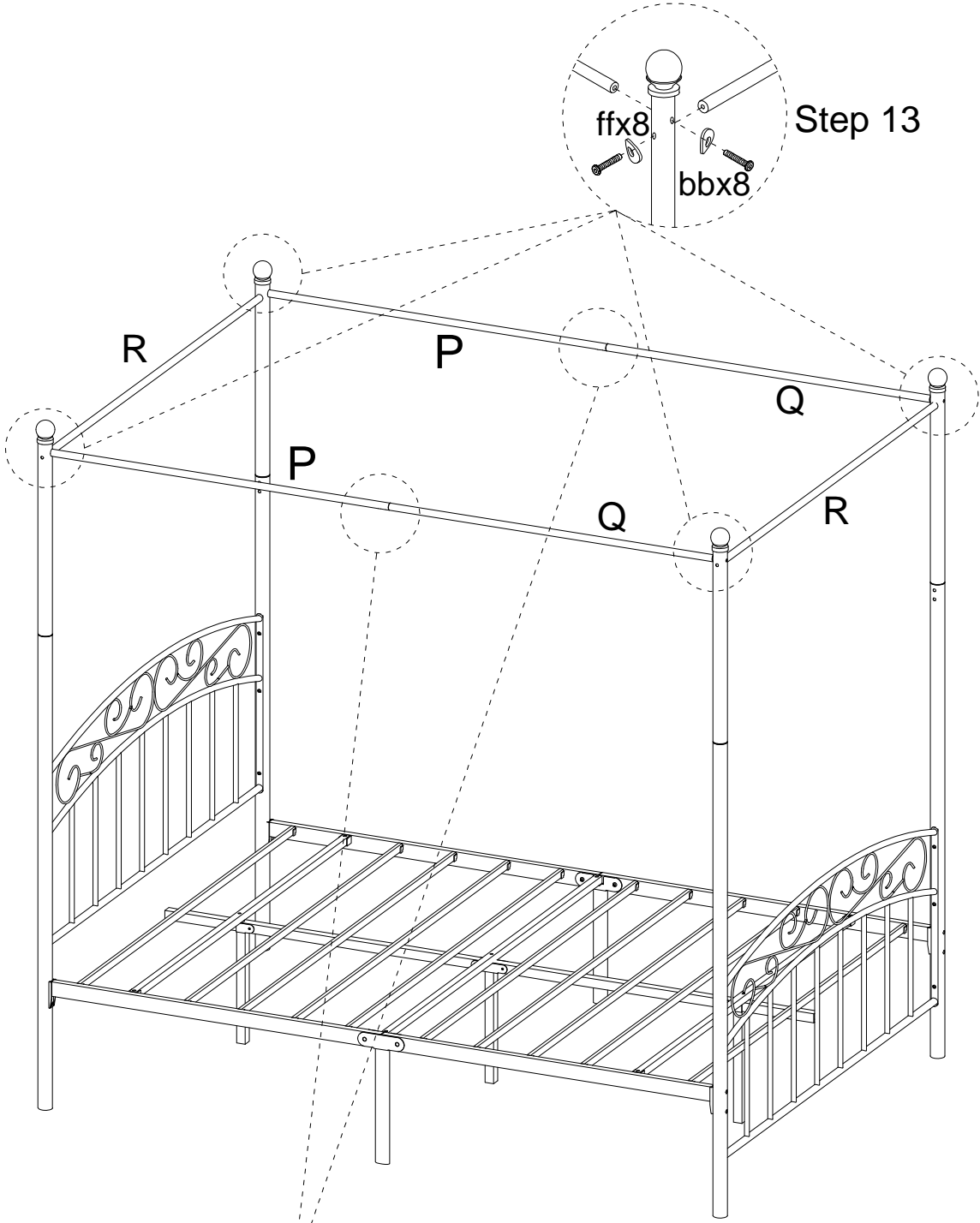


ee		M6x12	8
hh			1

Step 8



bb		M6x55	8
ee		M6x12	4
hh			1
ff			8



Step 13

Step 12

