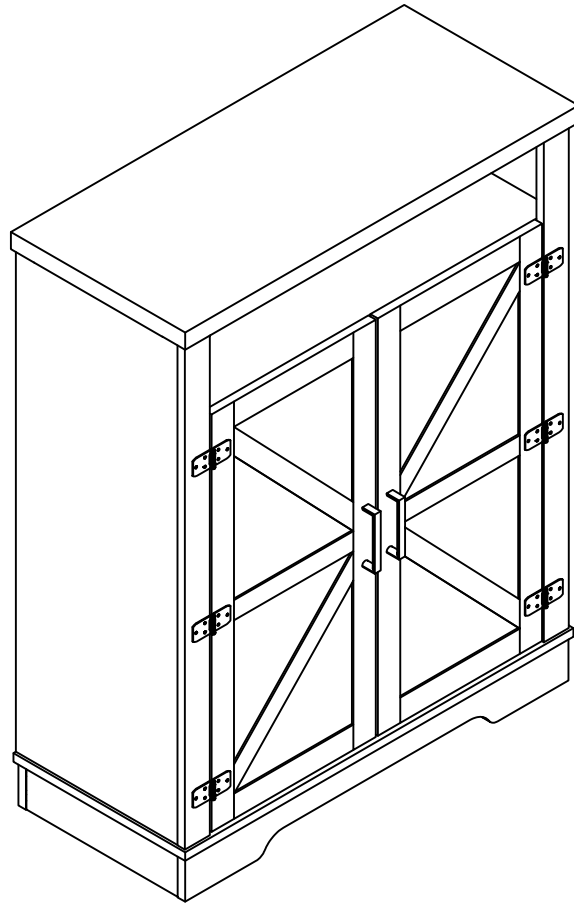

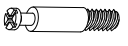
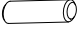

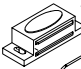

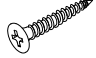


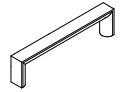

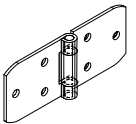

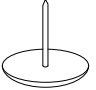



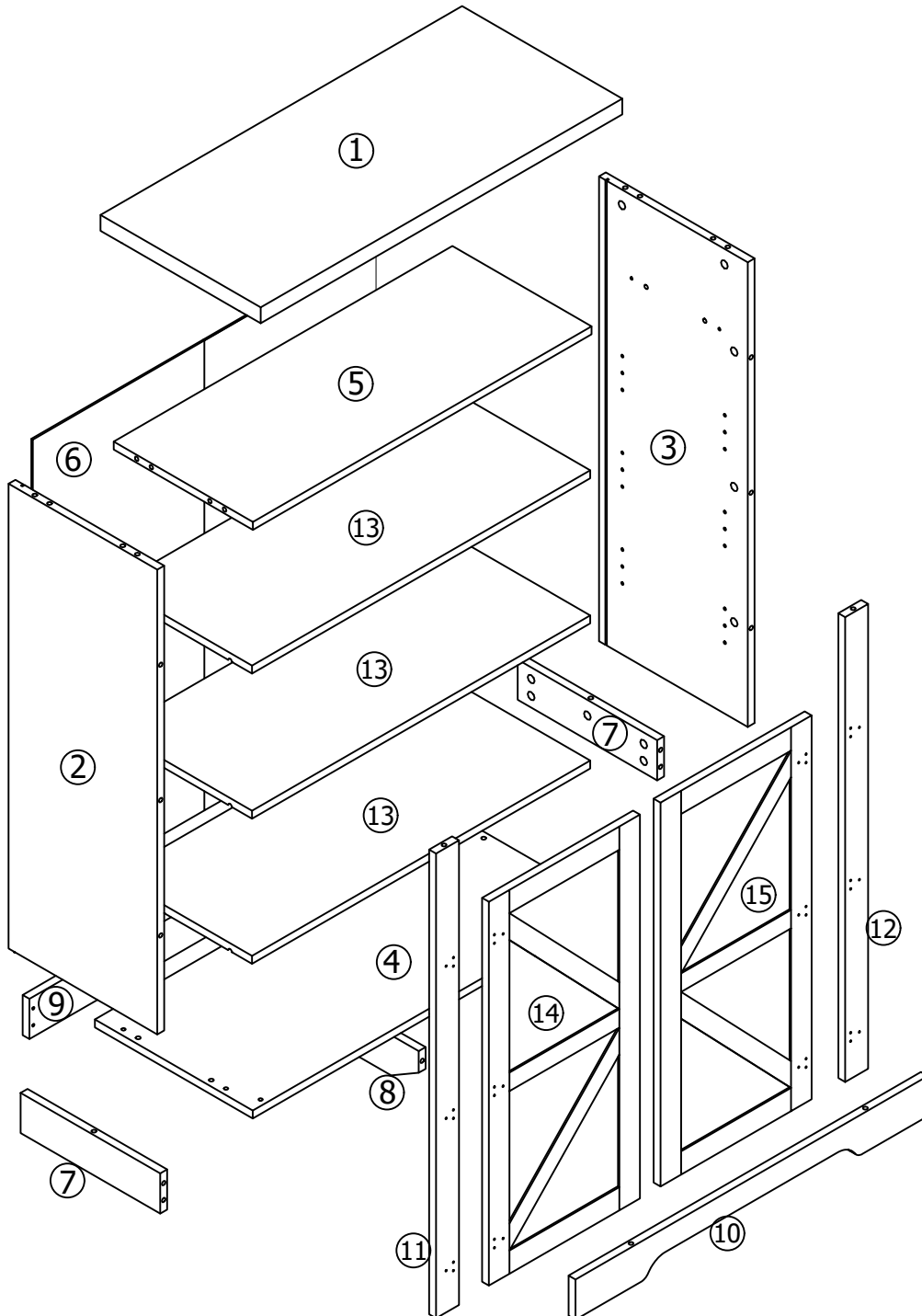
BC018

Assembly Instructions



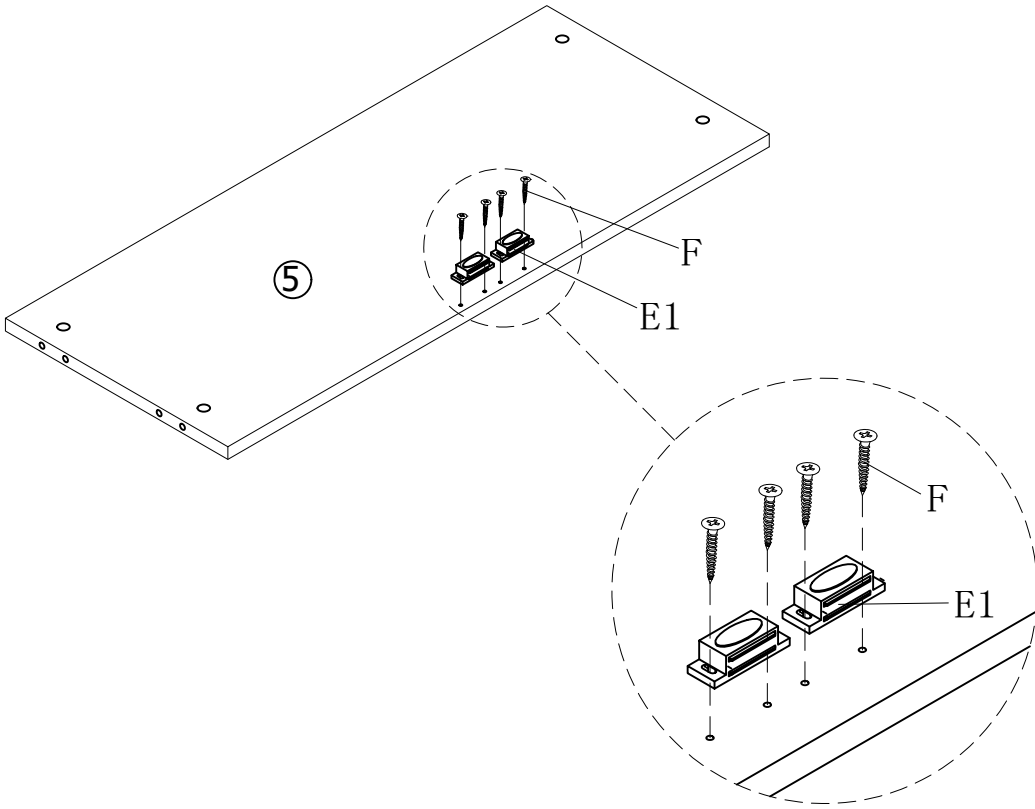
Assembly Instructions

$\varnothing 15 \times 12$  A x 34	$\varnothing 7 \times 38$  B x 34	$\varnothing 8 \times 30$  C x 12	$\varnothing 7 \times 48$  D x 6	 1  2 E x 2
$\varnothing 3 \times 14$  F x 8	 G x 14	 H x 12	 I x 2	$M4 \times 20$  J x 4
 K x 6	$\varnothing 3.5 \times 14$  L x 36	 M x 6	$4MM$  N x 1	



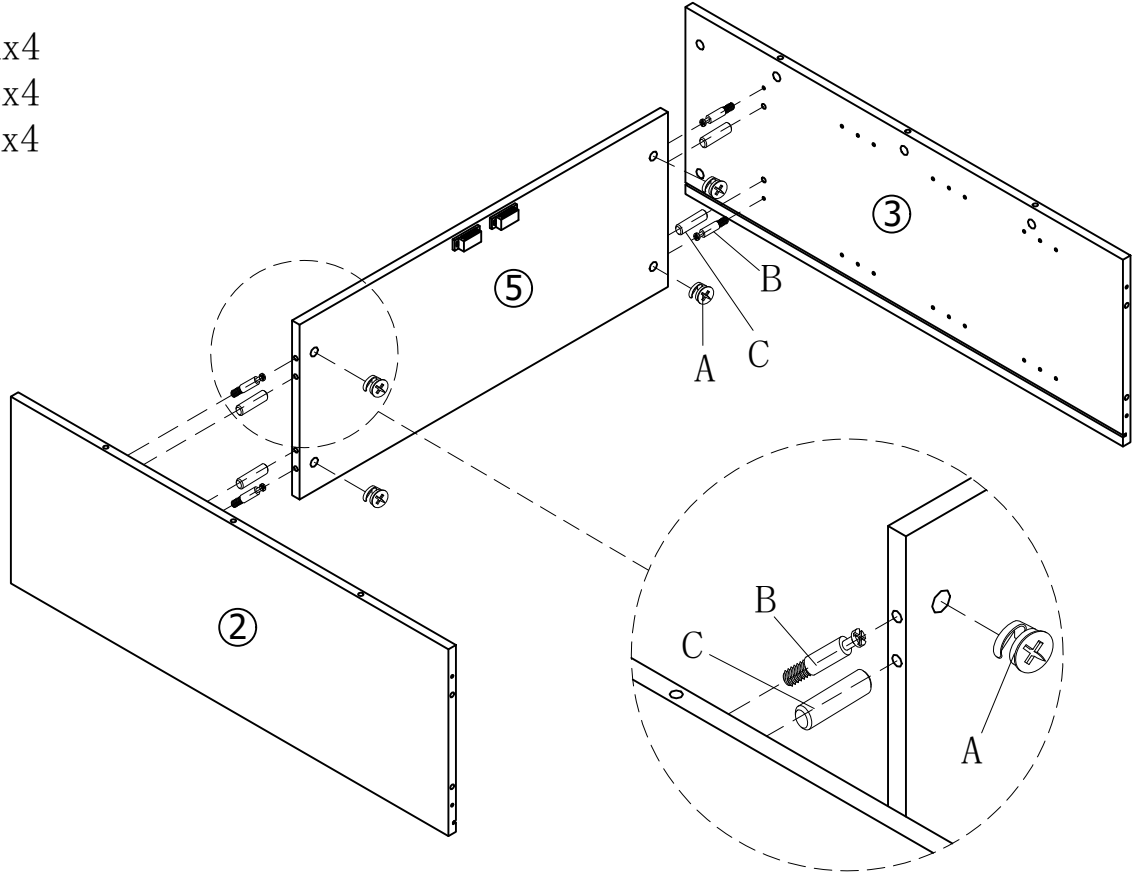
STEP 1

E1x2
Fx4



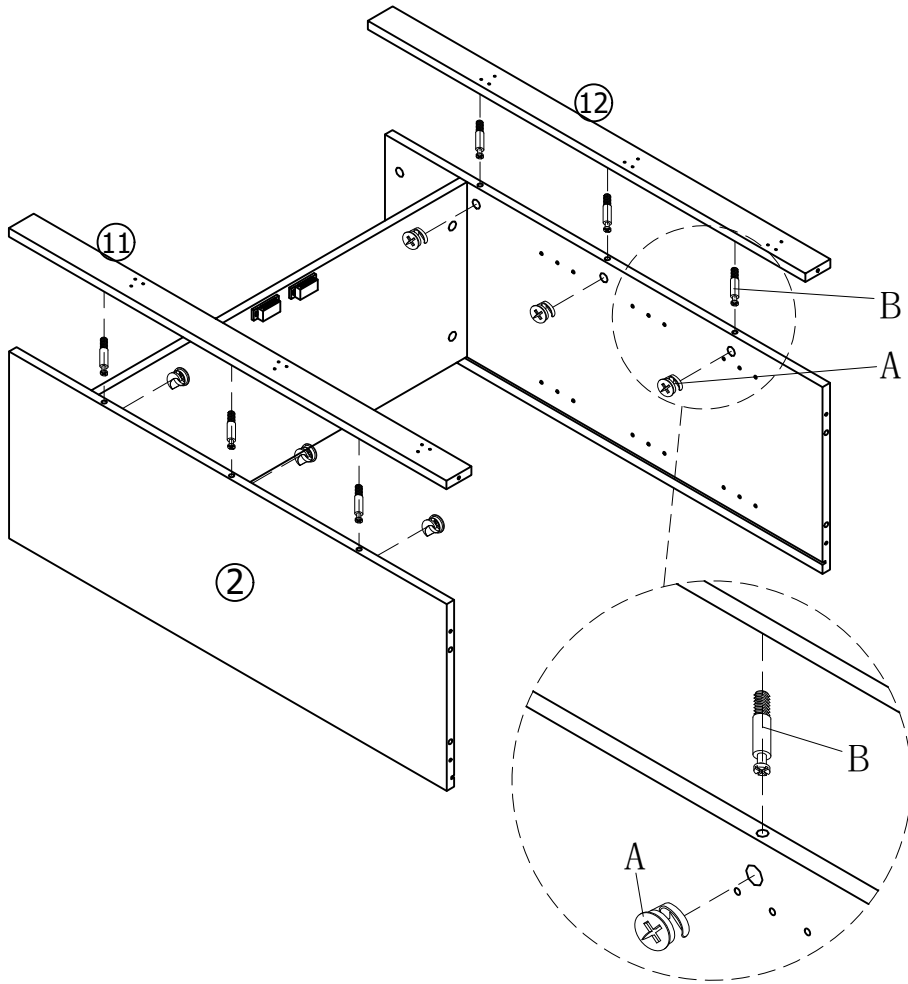
STEP 2

Ax4
Bx4
Cx4



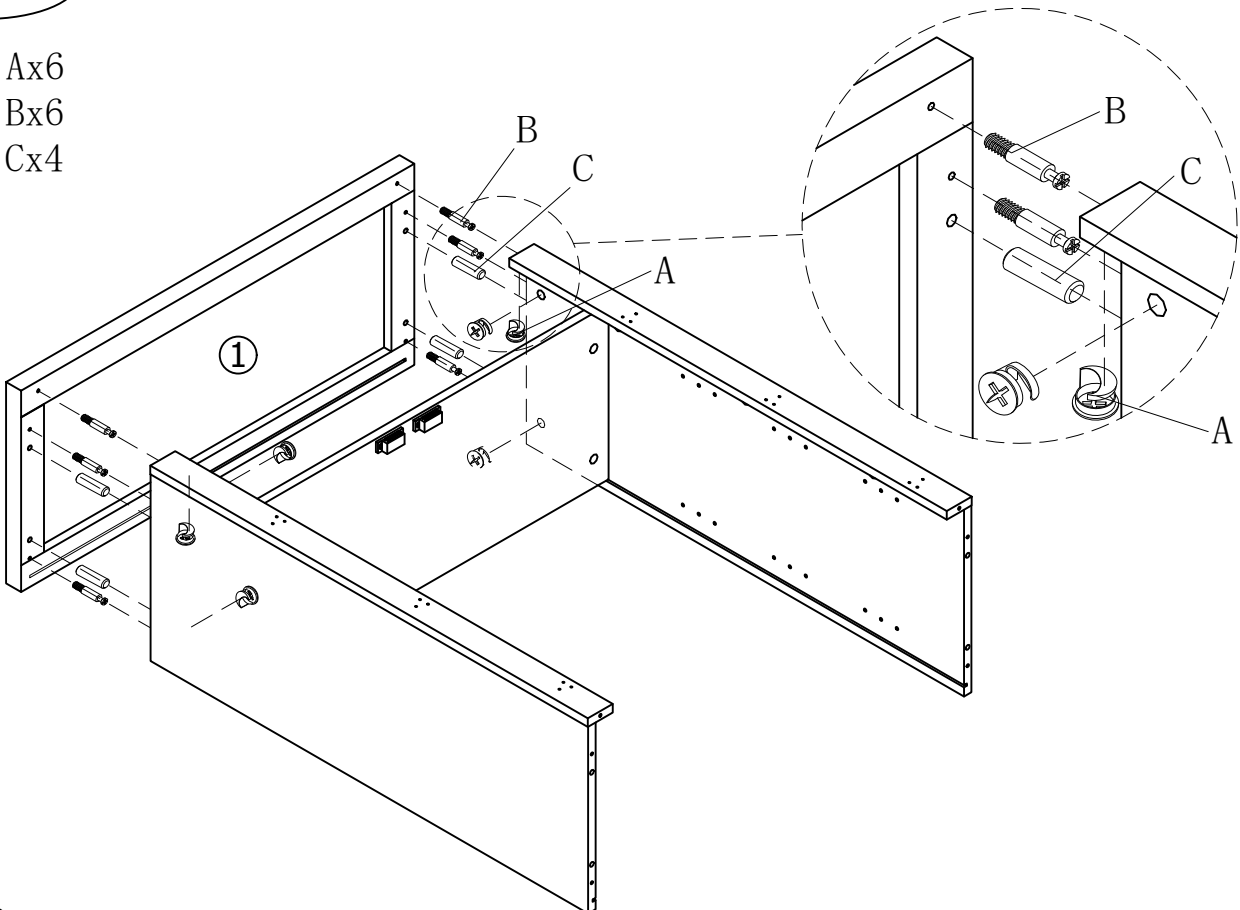
STEP 3

Ax6
Bx6

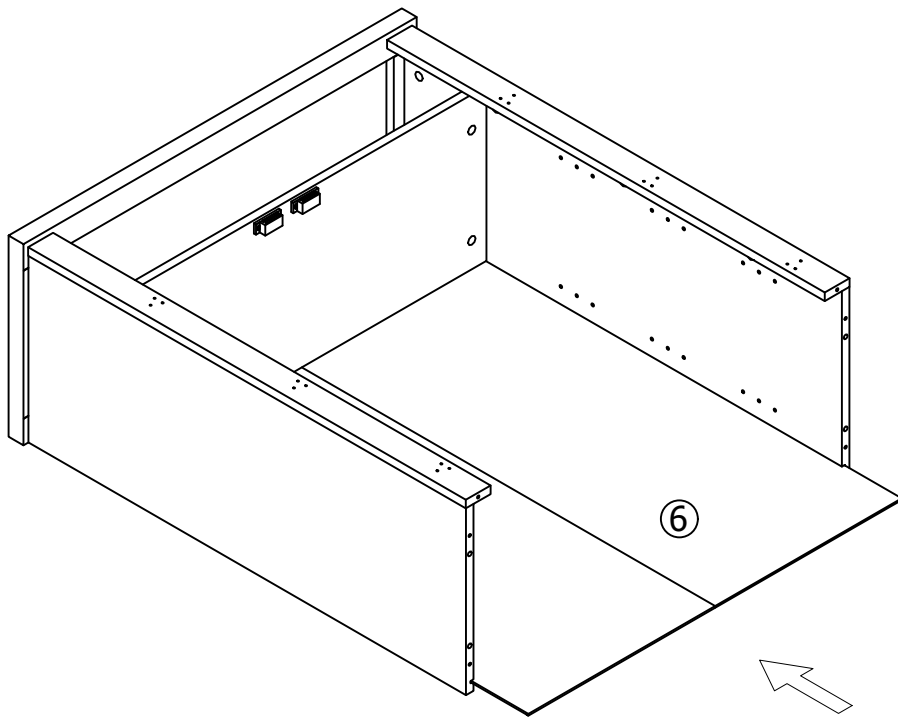


STEP 4

Ax6
Bx6
Cx4

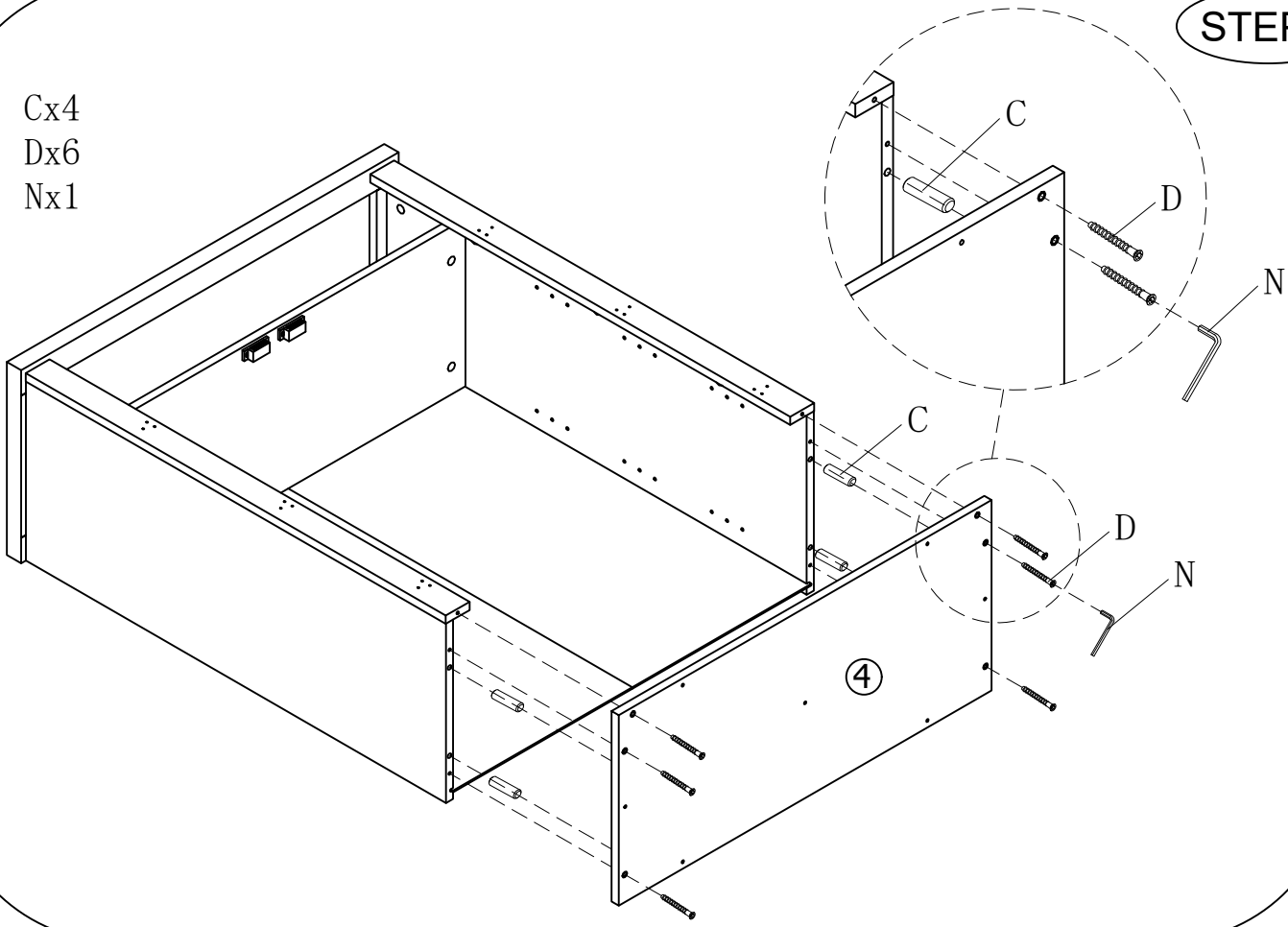


STEP 5



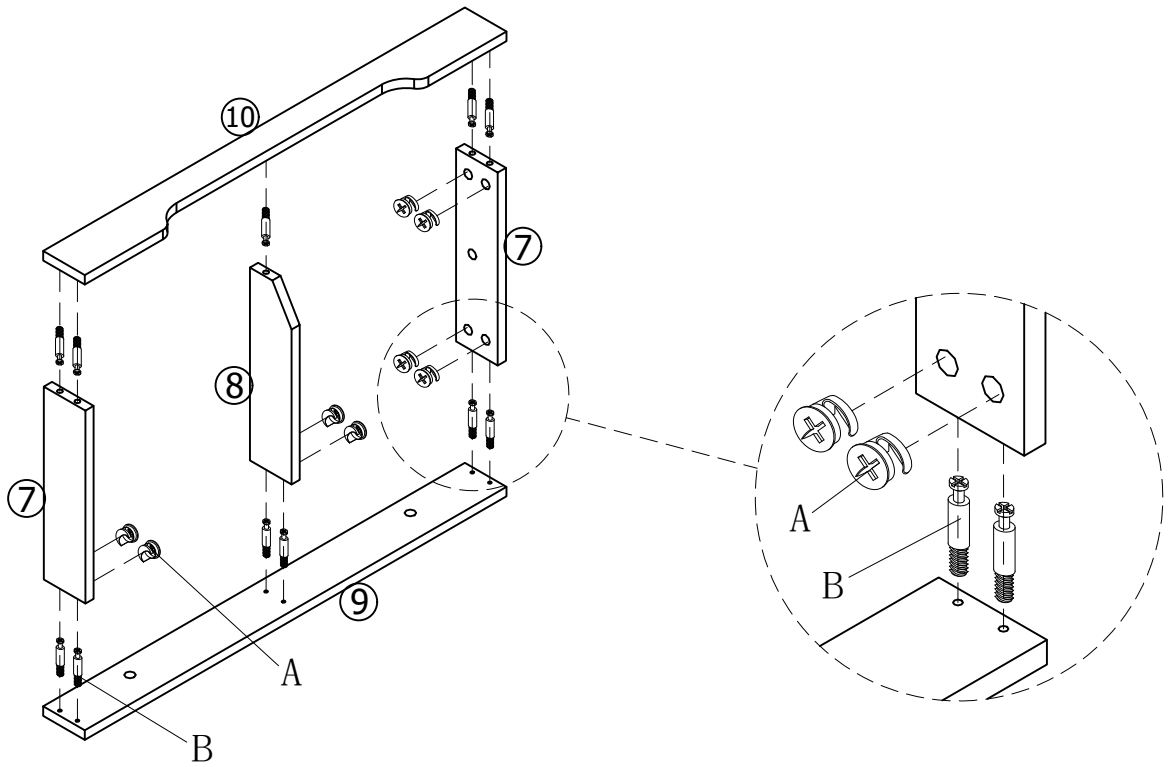
STEP 6

Cx4
Dx6
Nx1



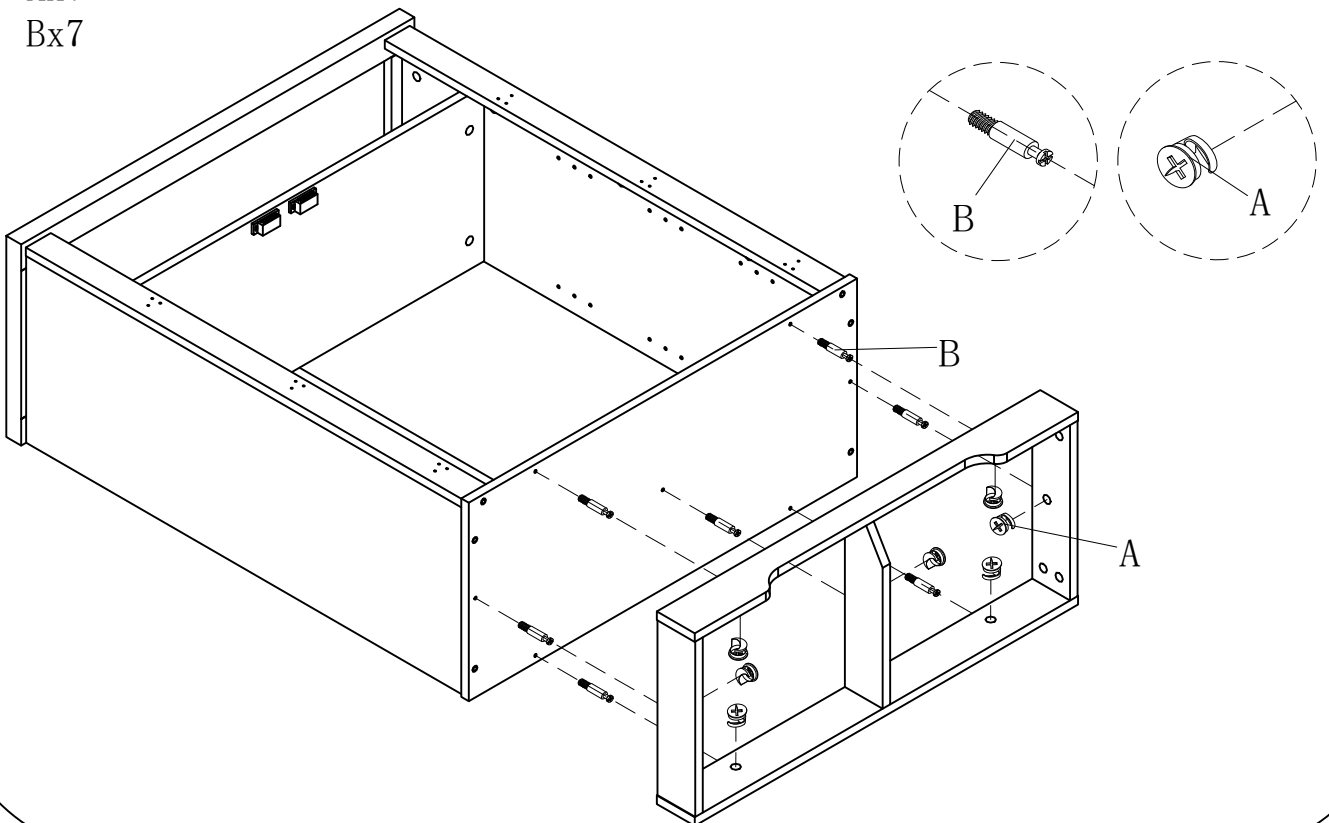
STEP 7

Ax11
Bx11



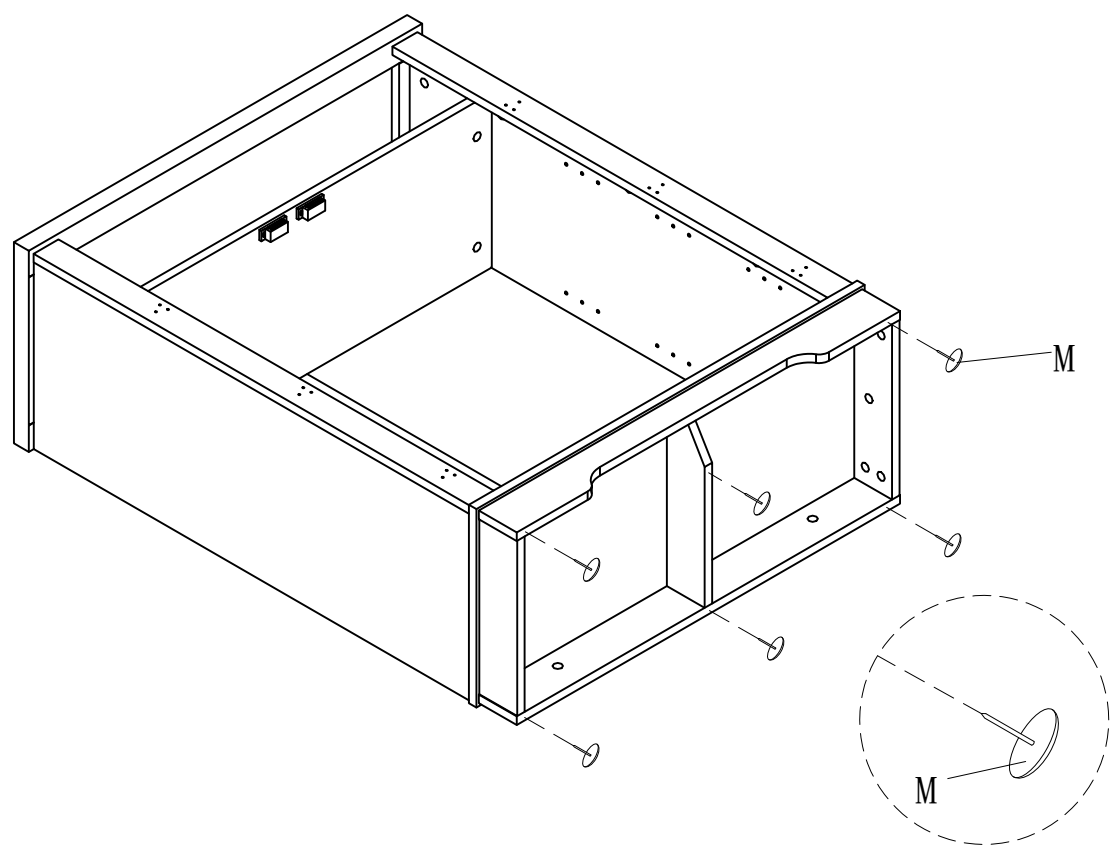
STEP 8

Ax7
Bx7



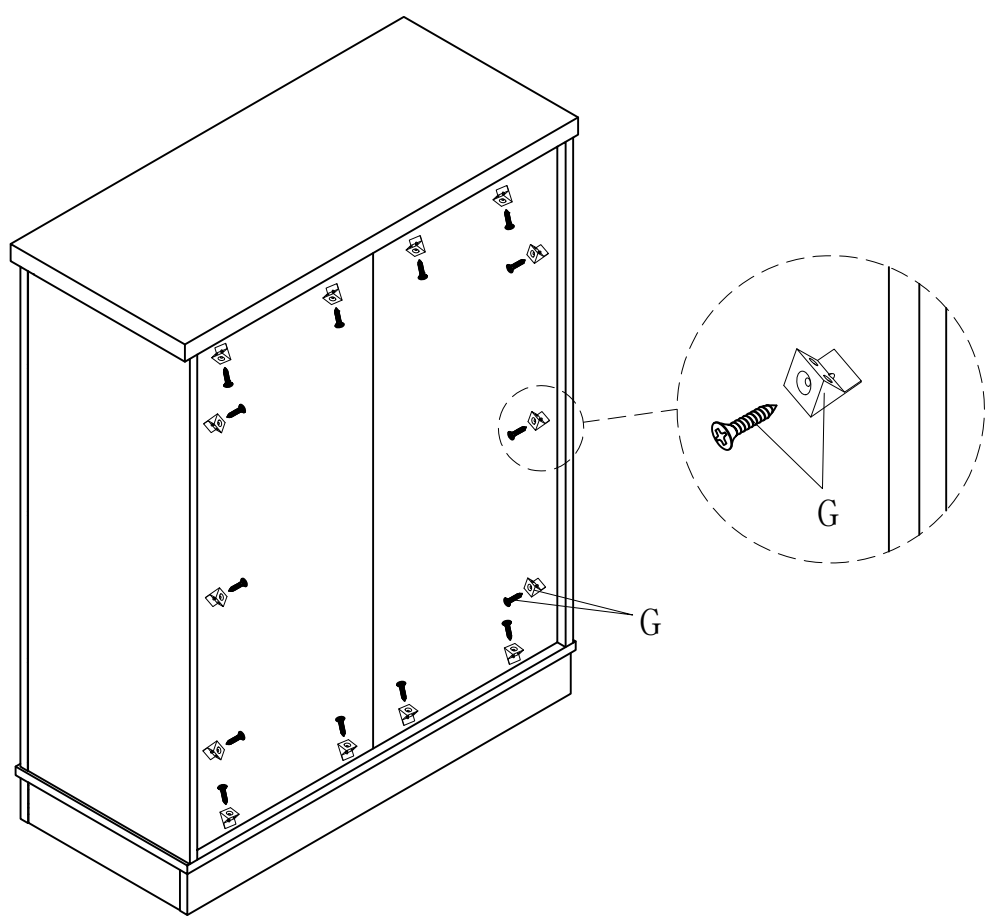
STEP 9

Mx6



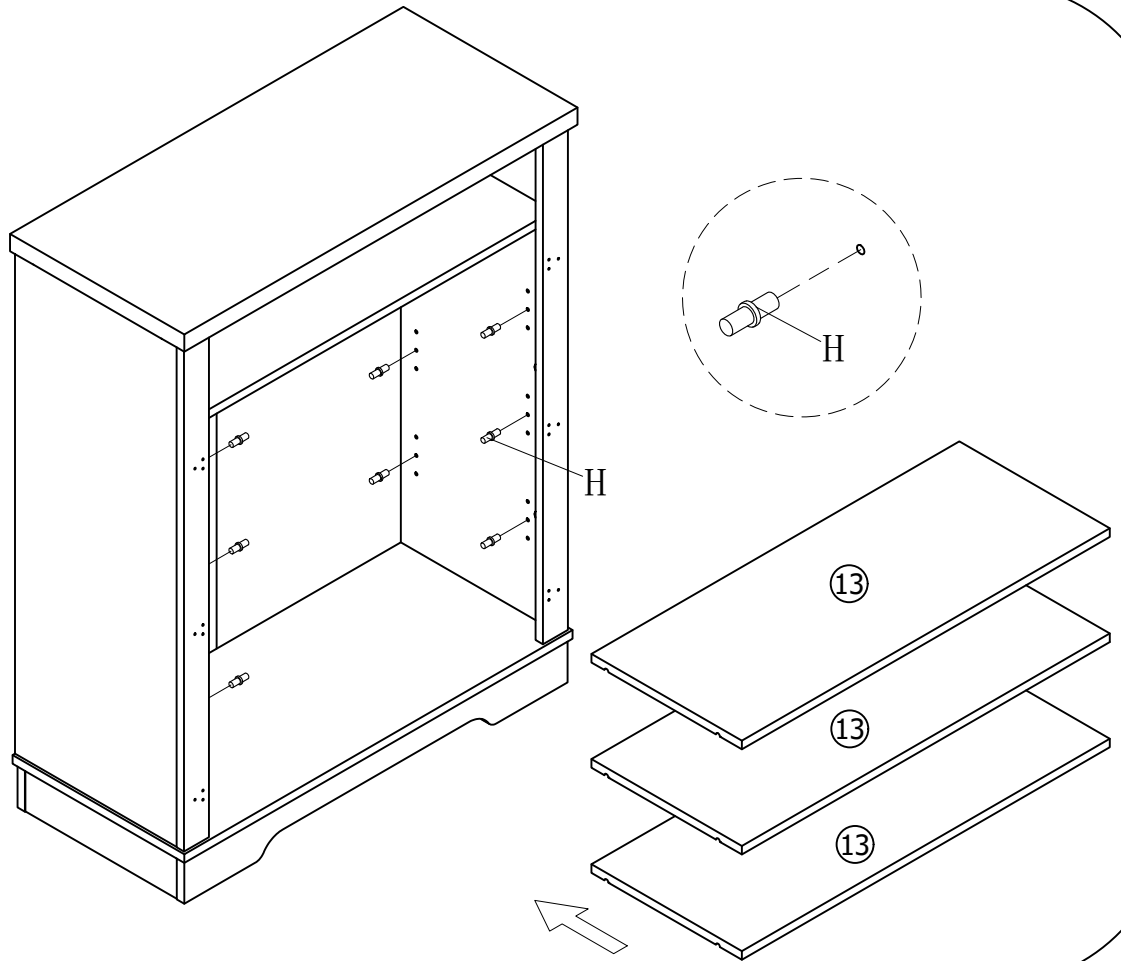
STEP 10

Gx14



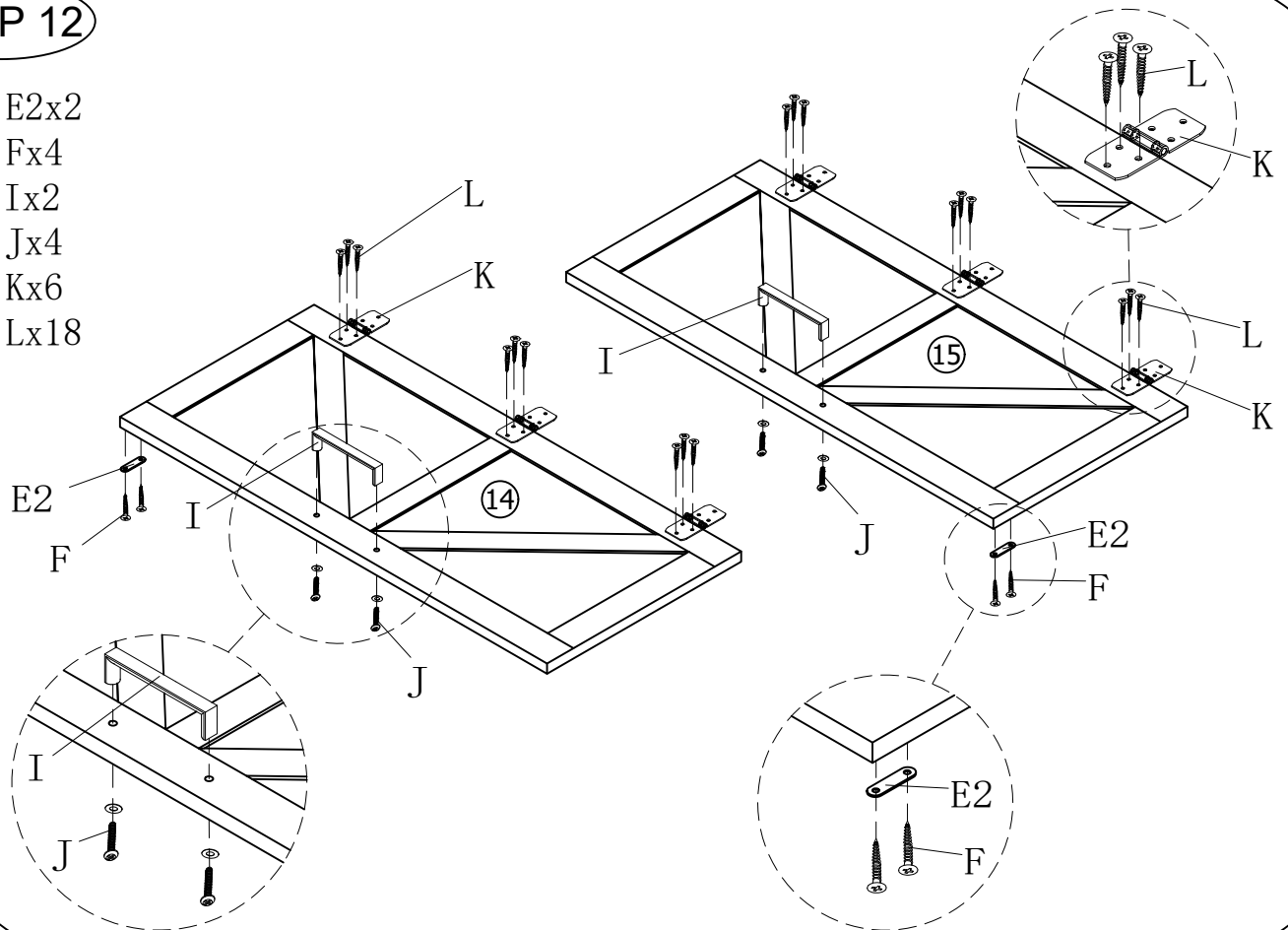
STEP 11

Hx12



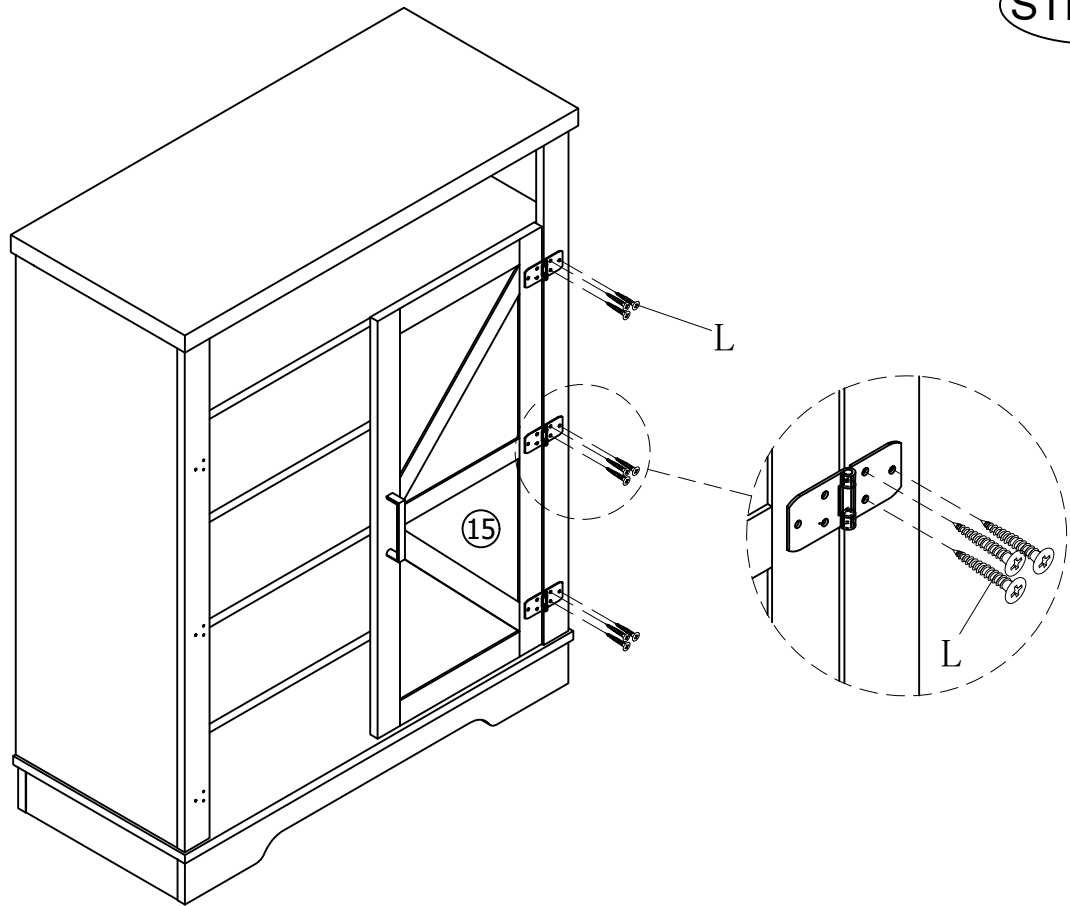
STEP 12

- E2x2
- Fx4
- Ix2
- Jx4
- Kx6
- Lx18



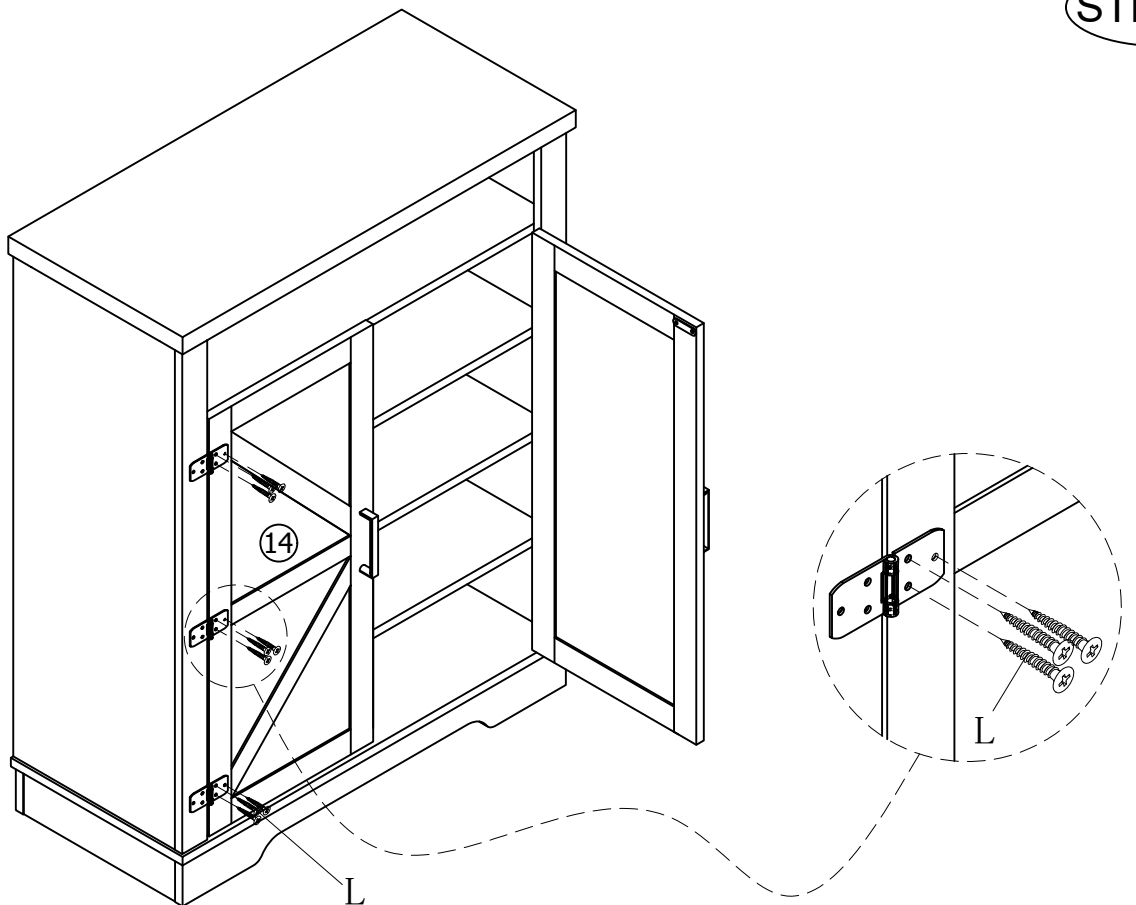
STEP 13

Lx9



STEP 14

Lx9



STEP 15

