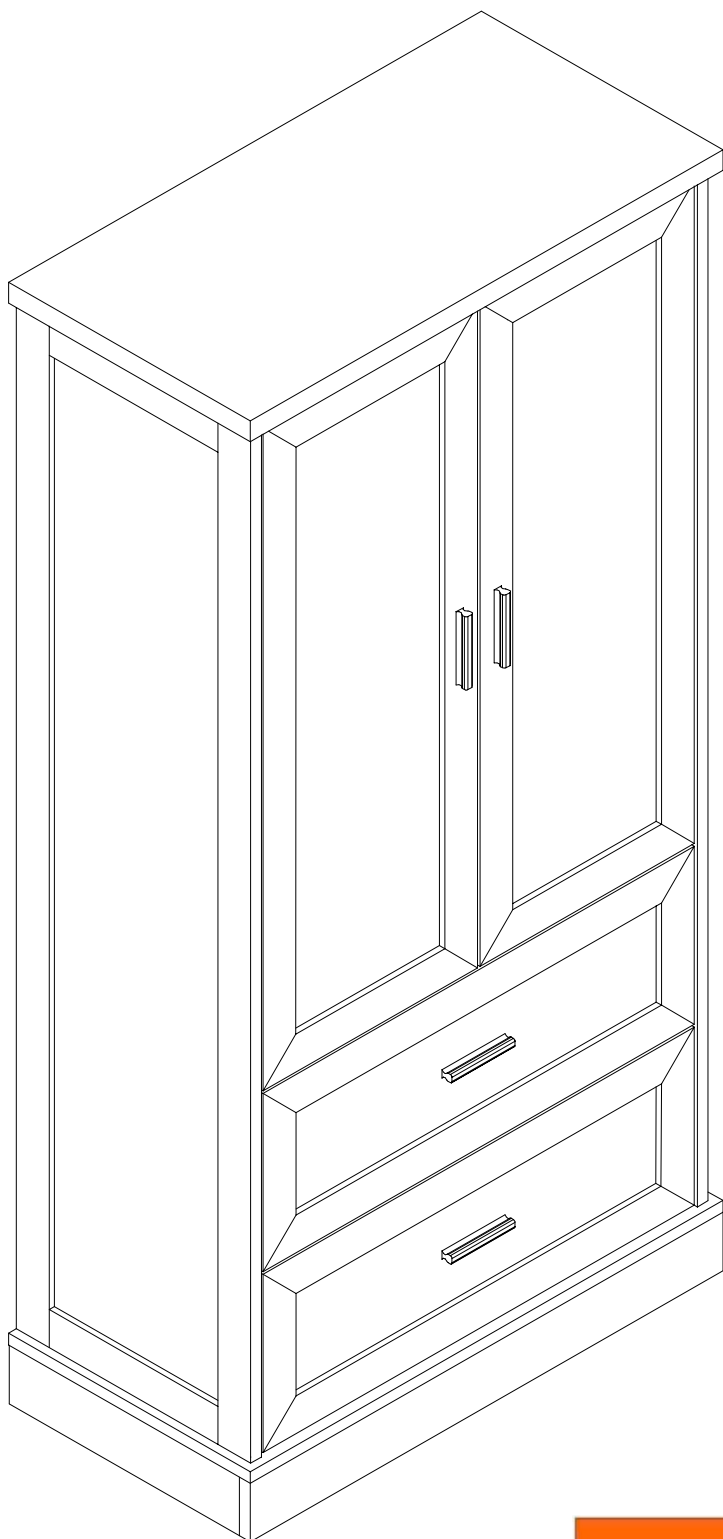


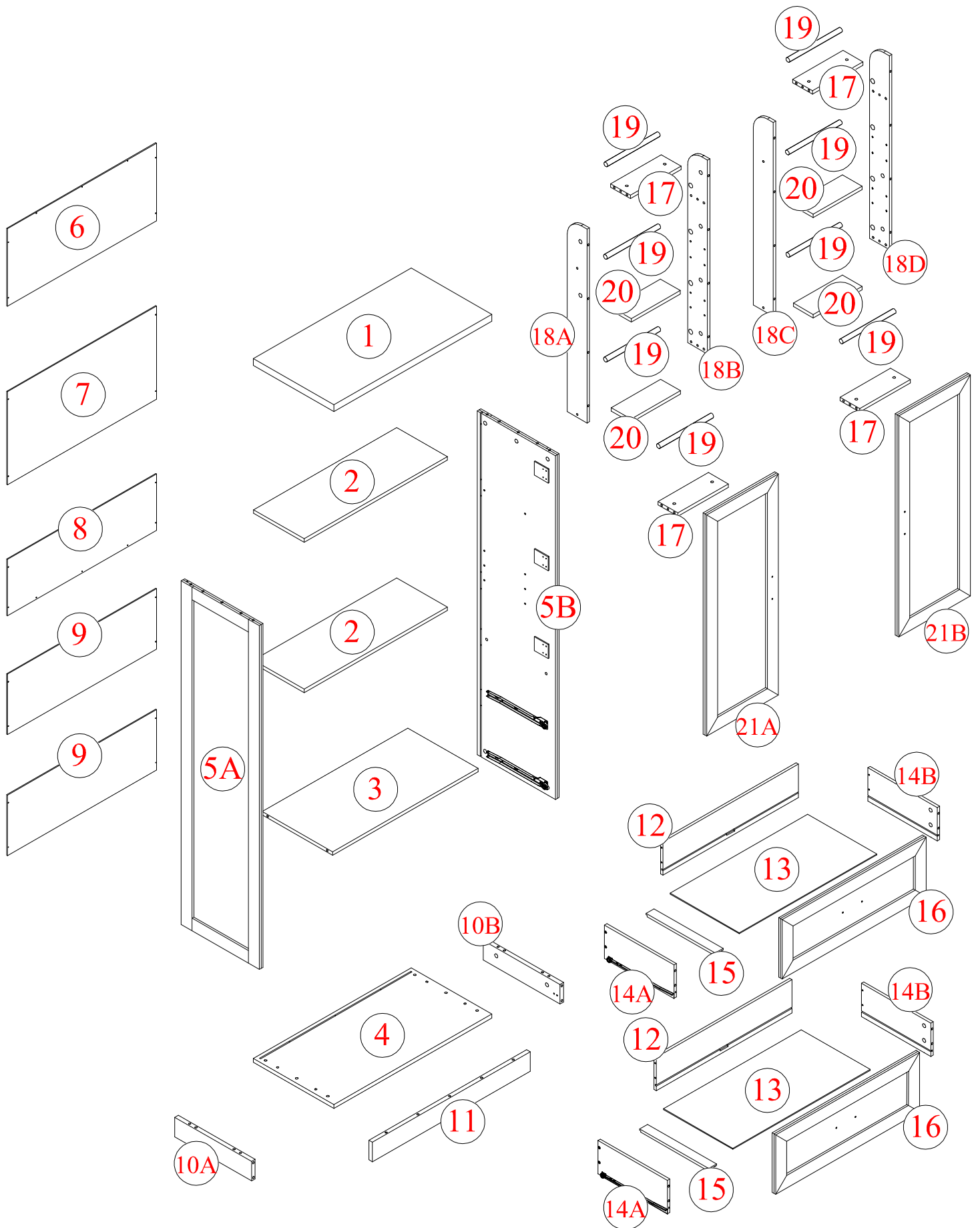
# ASSEMBLY INSTRUCTION

SKU CODE: (N725P454494-N725P454495)

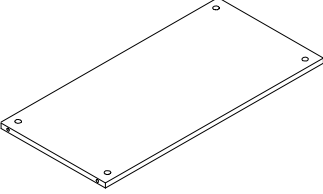
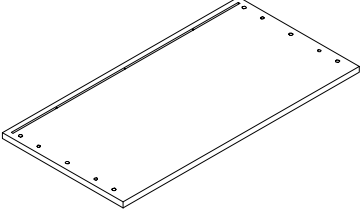
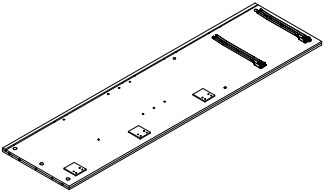
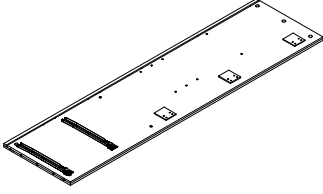
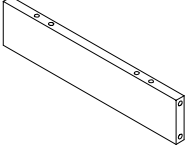
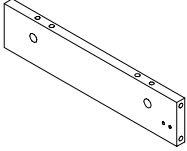
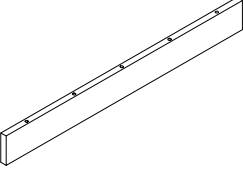
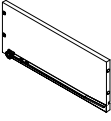
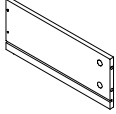
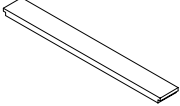
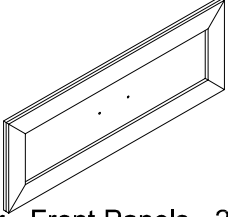
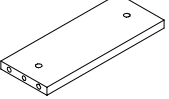
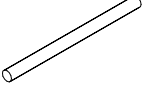
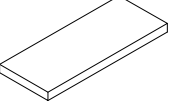
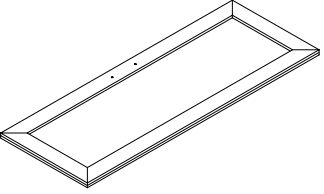
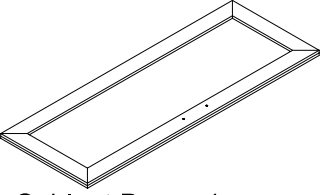


WARNING	
	<p>This product is NOT a Clothing Storage Unit (CSU). DO NOT use it for clothing storage. Improper use may cause furniture tipover.</p>

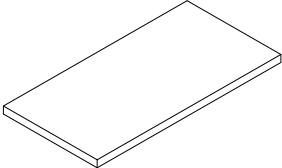
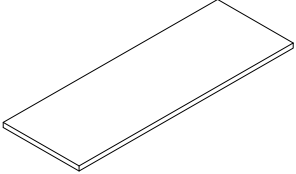
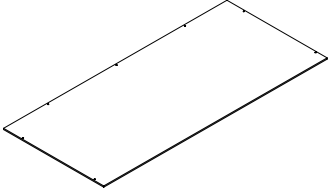
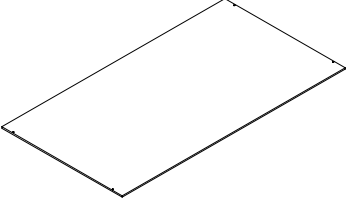
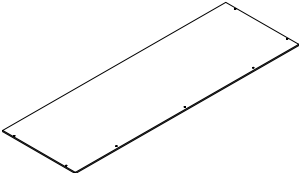
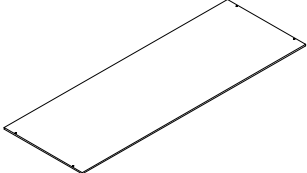
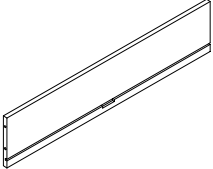
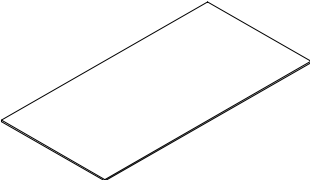
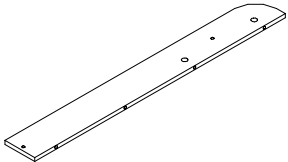
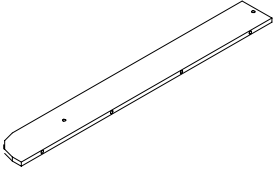
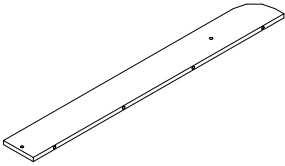
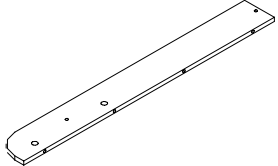
# ASSEMBLY INSTRUCTION



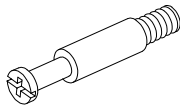
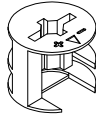
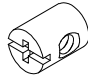
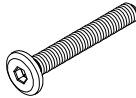
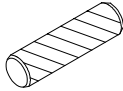
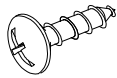
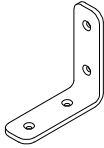

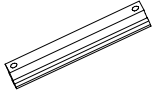
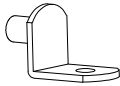
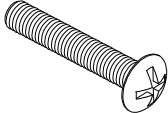
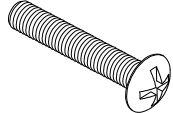
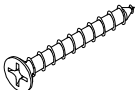
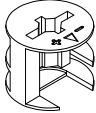
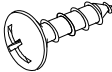
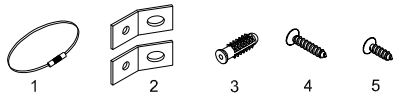
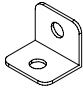
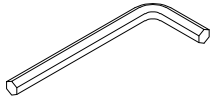
# Part List (N725P454494)

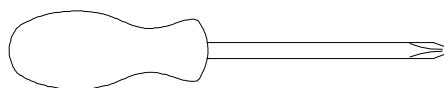
<p><b>3</b></p>  <p>Fixed Shelf - 1pc</p>	<p><b>4</b></p>  <p>Cabinet Bottom - 1 pc</p>	<p><b>5A</b></p>  <p>Side Edge Of Cabinet - 1pc</p>
<p><b>5B</b></p>  <p>Side Edge Of Cabinet - 1pc</p>	<p><b>10A</b></p>  <p>Short bar - 1pc</p>	<p><b>10B</b></p>  <p>Short bar - 1pc</p>
<p><b>11</b></p>  <p>Short bar - 1pc</p>	<p><b>14A</b></p>  <p>Drawer - Side Panels - 2pcs</p>	<p><b>14B</b></p>  <p>Drawer - Side Panels - 2pcs</p>
<p><b>15</b></p>  <p>Drawers - Support Bottom - 2pcs</p>	<p><b>16</b></p>  <p>Drawer - Front Panels - 2pcs</p>	<p><b>17</b></p>  <p>Fixed Shelf - 4pcs</p>
<p><b>19</b></p>  <p>Round Bar Shelf - 8pcs</p>	<p><b>20</b></p>  <p>Moving Shelves - 4pcs</p>	<p><b>21A</b></p>  <p>Cabinet Door - 1 pc</p>
<p><b>21B</b></p>  <p>Cabinet Door - 1 pc</p>		

# Part List (N725P454495)

<p><b>1</b></p>  <p>The Top Of The Cabinet - 1pc</p>	<p><b>2</b></p>  <p>Moving Shelves - 2pcs</p>	<p><b>6</b></p>  <p>Cabinet Back - 1pc</p>
<p><b>7</b></p>  <p>Cabinet Back - 1pc</p>	<p><b>8</b></p>  <p>Cabinet Back - 1pc</p>	<p><b>9</b></p>  <p>Cabinet Back - 2pcs</p>
<p><b>12</b></p>  <p>Drawer - Back Panels - 2pcs</p>	<p><b>13</b></p>  <p>Panel - 2pcs</p>	<p><b>18A</b></p>  <p>Standing Bar Shelf - 1pc</p>
<p><b>18B</b></p>  <p>Standing Bar Shelf - 1pc</p>	<p><b>18C</b></p>  <p>Standing Bar Shelf - 1pc</p>	<p><b>18D</b></p>  <p>Standing Bar Shelf - 1pc</p>

# Hardware List (N725P454494)

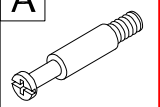
<p><b>A</b></p>  <p>Cam Bolt 47 pcs</p>	<p><b>B</b></p>  <p>Cam Lock 12mm 23 pcs</p>	<p><b>C</b></p>  <p>Ø9.5 x 12 mm Horizontal -Hole bolts 8 pcs</p>
<p><b>D</b></p>  <p>1/4" x 50mm Hex-Head bolts 8 pcs</p>	<p><b>E</b></p>  <p>Ø8 x 30 mm Wood dowel 34pcs</p>	<p><b>F</b></p>  <p>M4 x 15 mm Wood Screws 76pcs</p>
<p><b>G</b></p>  <p>Steel Bracket 62x62 mm 2pcs</p>	<p><b>H</b></p>  <p>Hinge - 6pcs</p>	<p><b>R</b></p>  <p>Handle Steel 4pcs</p>
<p><b>J</b></p>  <p>Shelf Pin 9mm 24 pcs</p>	<p><b>K</b></p>  <p>M4 x 12mm Truss Head Wood Screws 4pcs</p>	<p><b>L</b></p>  <p>M4 x 20mm Truss Head Wood Screws 4pcs</p>
<p><b>M</b></p>  <p>M4 x 30 mm Wood Screws 8pcs</p>	<p><b>N</b></p>  <p>Cam Lock 10mm 24 pcs</p>	<p><b>O</b></p>  <p>M4 x 25 mm Wood Screws 27pcs</p>
<p><b>P</b></p>  <p>Anti Fall 2 set</p>	<p><b>Q</b></p>  <p>Steel Bracket 15x15mm 4 pcs</p>	<p><b>S</b></p>  <p>Allen Key 1pc</p>



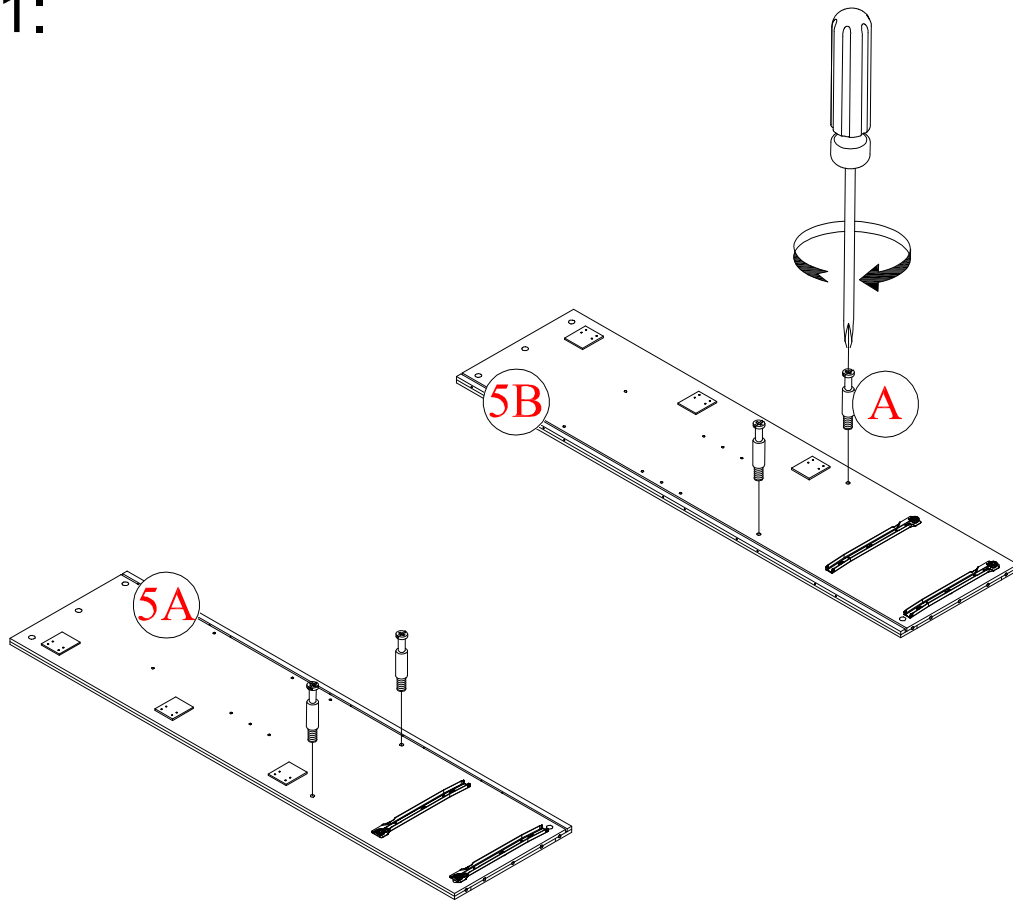
**Assembly Tools Required (Not Included)**

# Step 1:

A

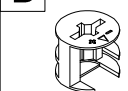


4pcs

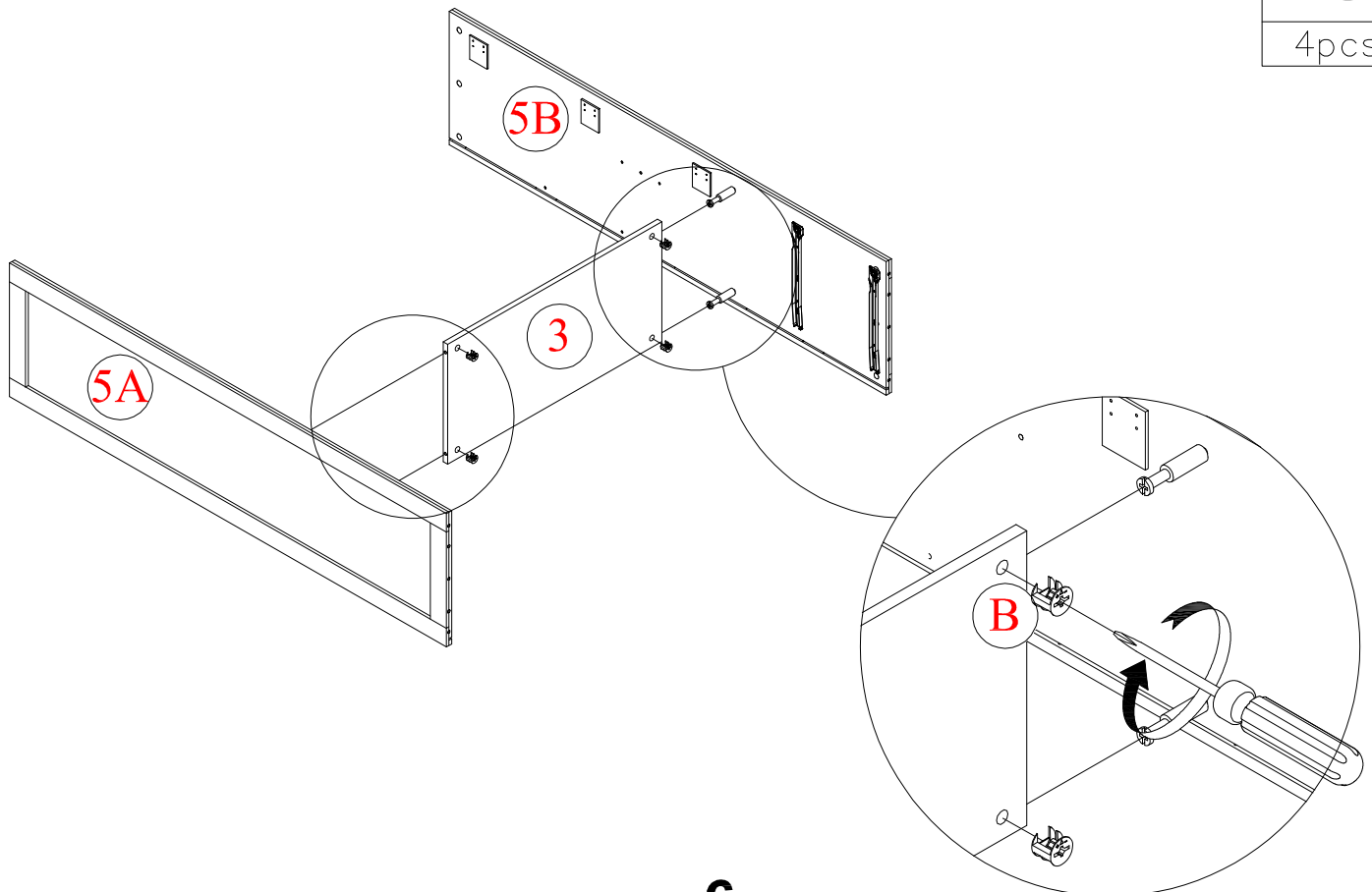


# Step 2:

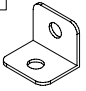
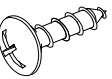
B

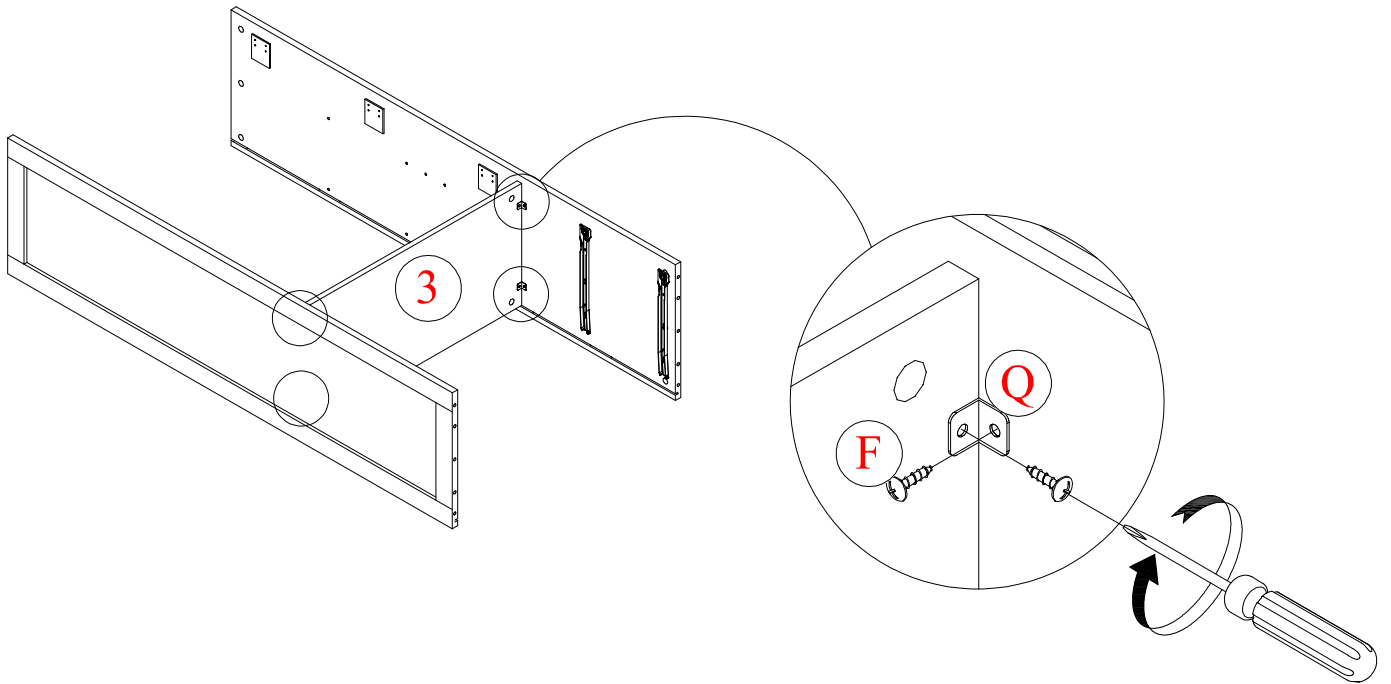


4pcs

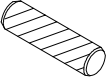


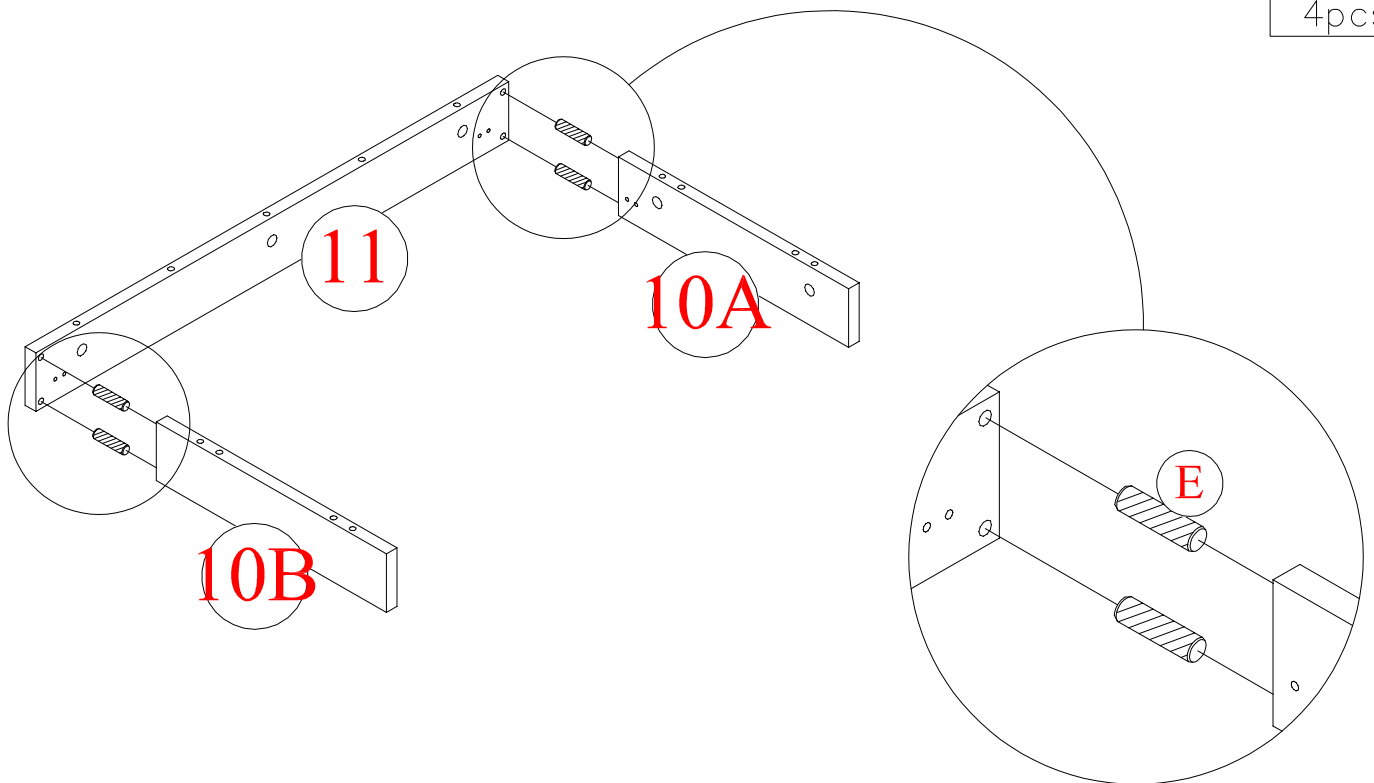
### Step 3:

<b>Q</b> 	<b>F</b> 
4pcs	8pcs

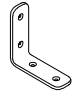



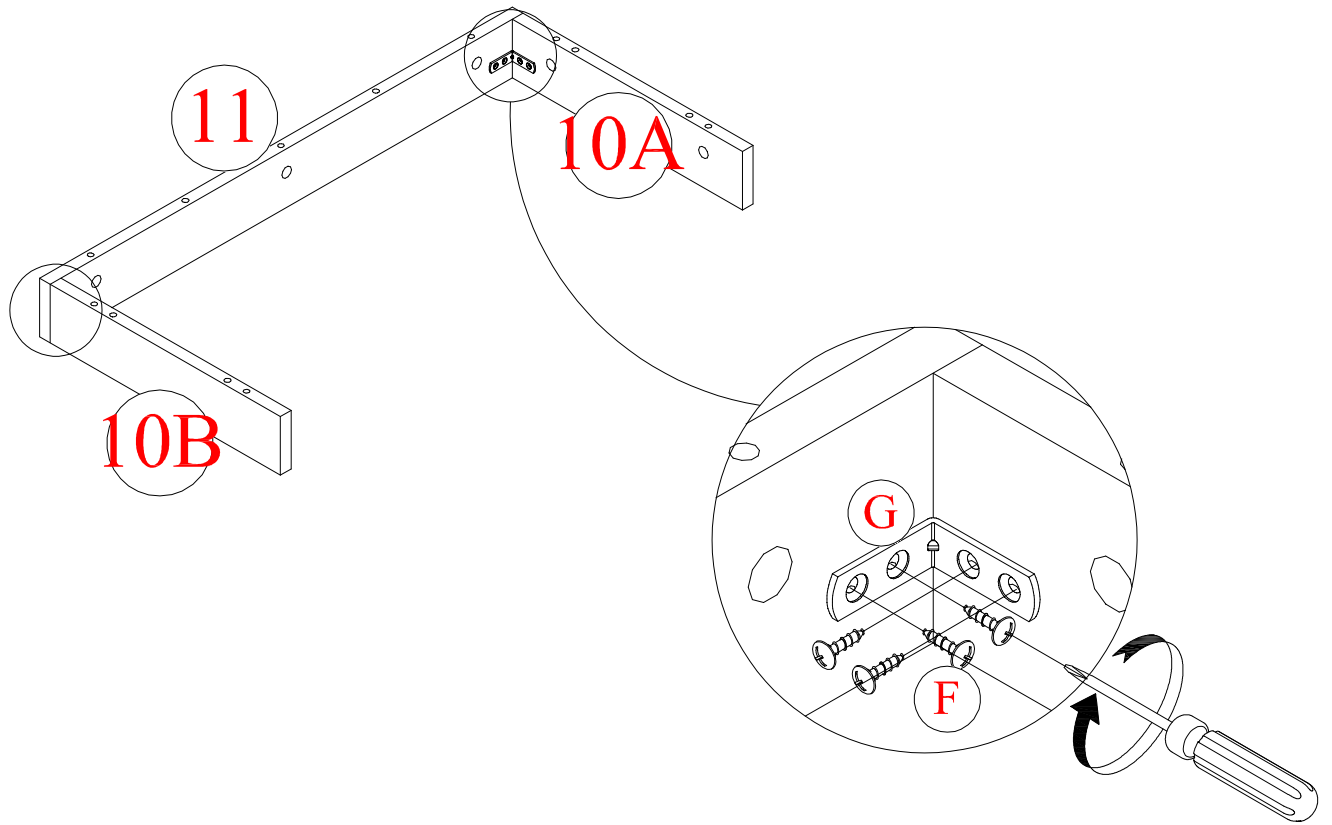
### Step 4:

<b>E</b> 
4pcs

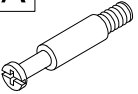


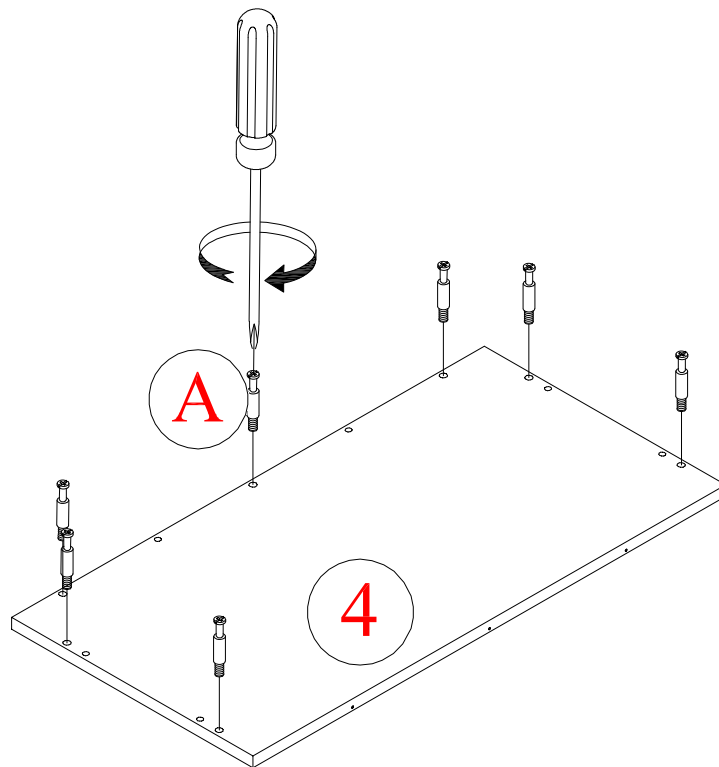
# Step 5:

<b>G</b> 	<b>F</b> 
2pcs	8pcs

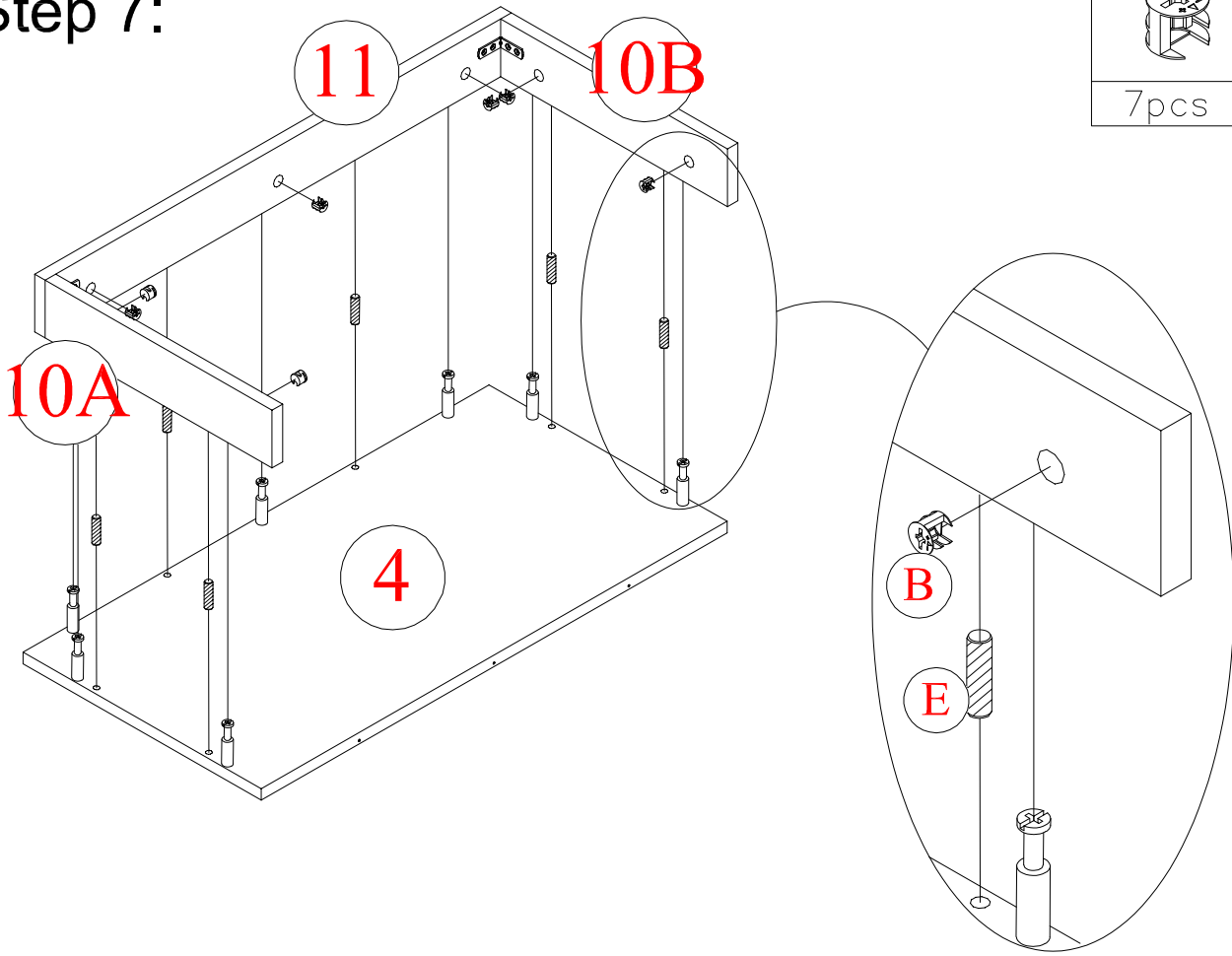


# Step 6:

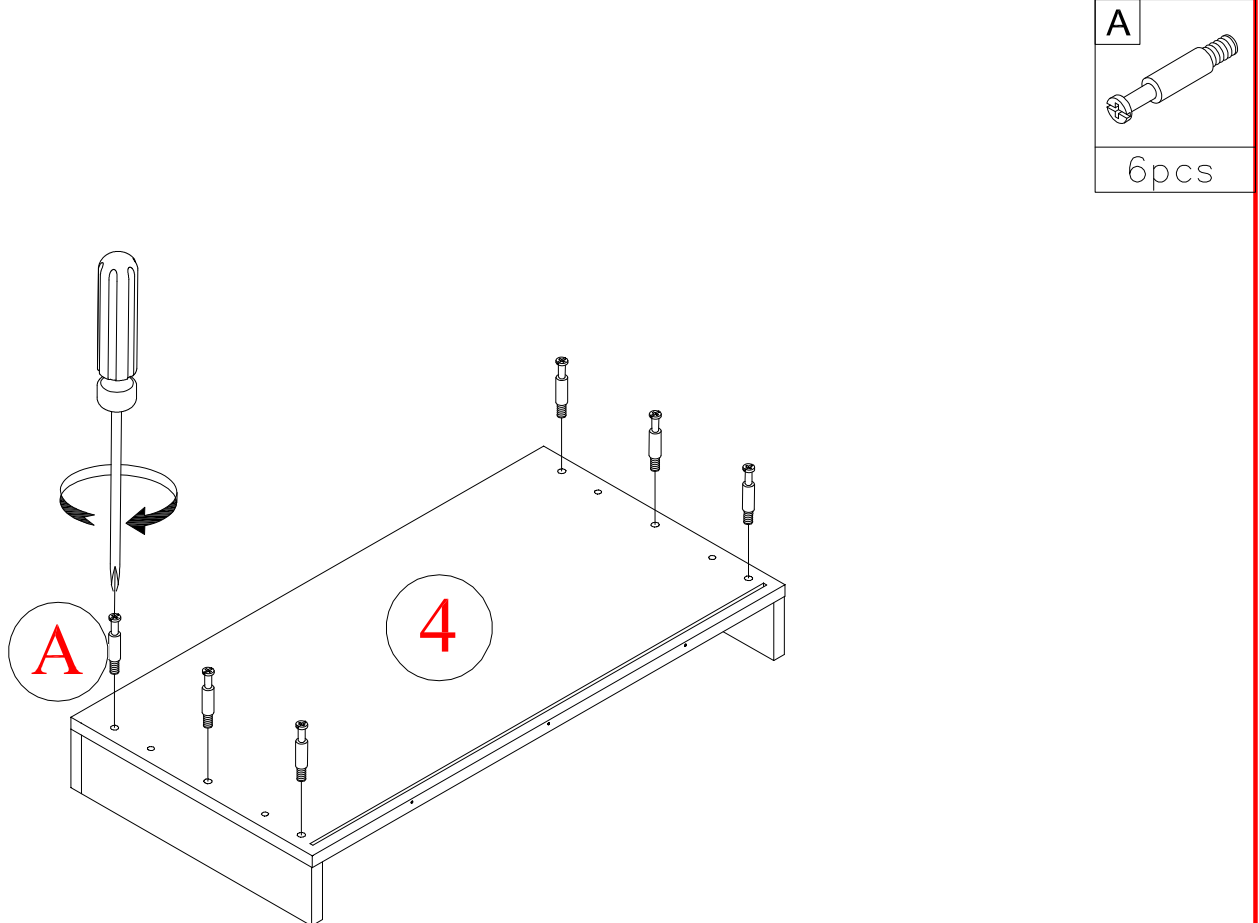
<b>A</b> 
7pcs




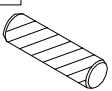
# Step 7:

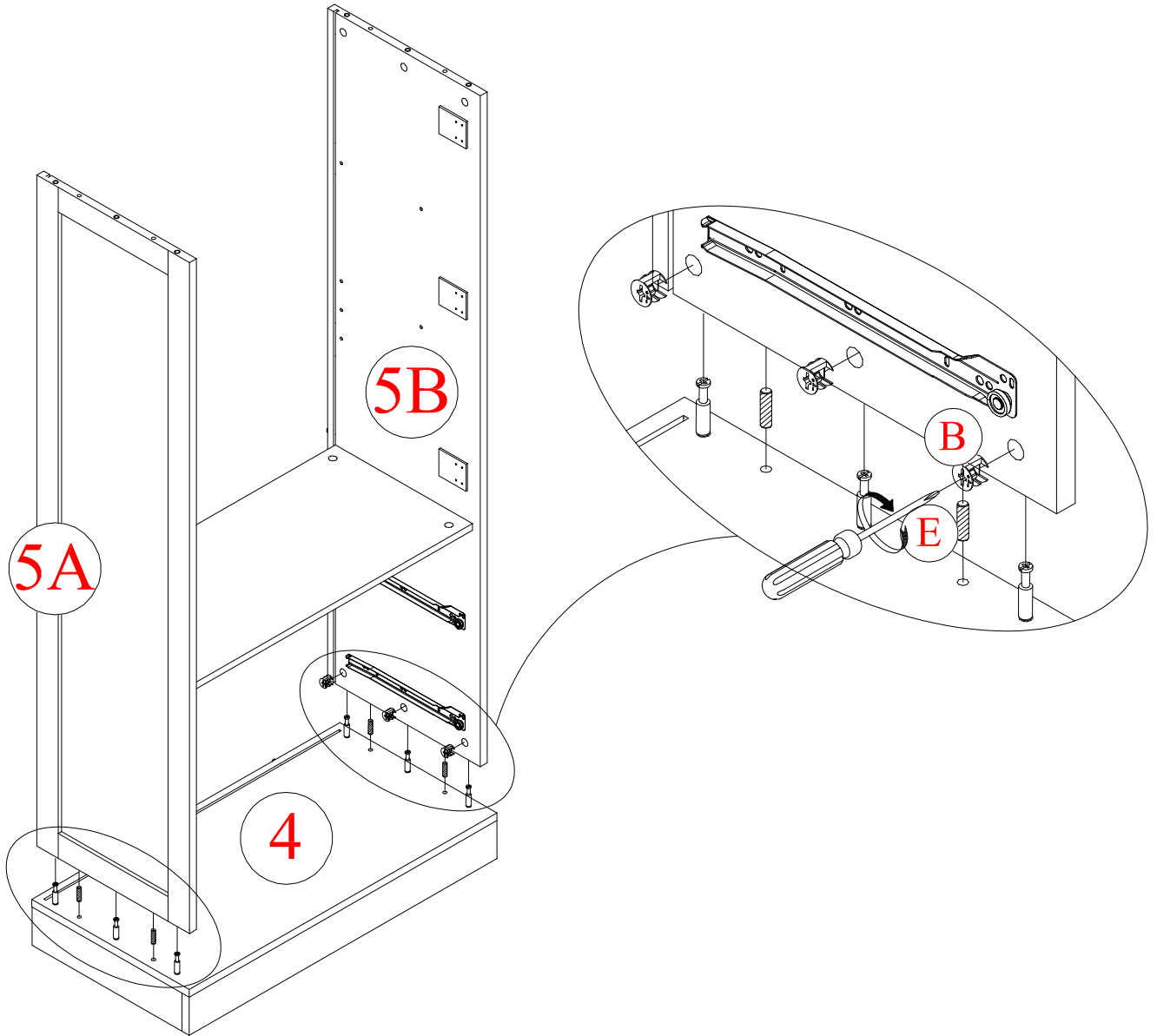


# Step 8:

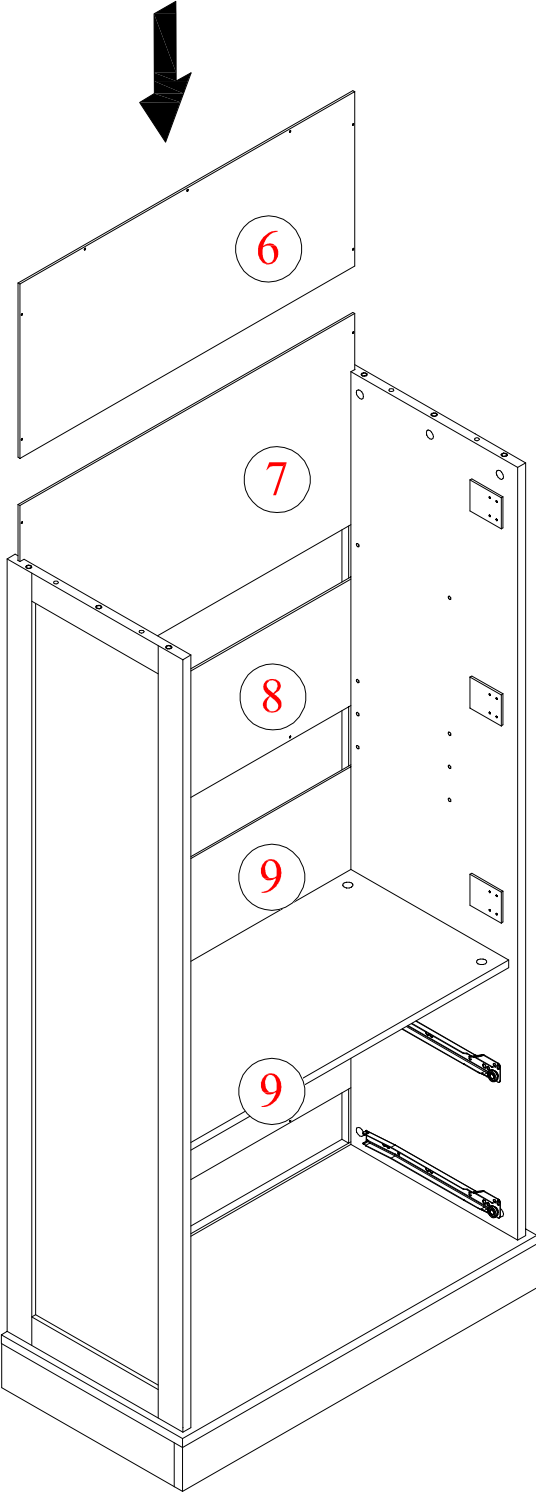


# Step 9:

<b>B</b>		<b>E</b>	
6pcs		4pcs	

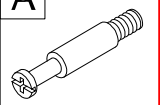


Step 10:

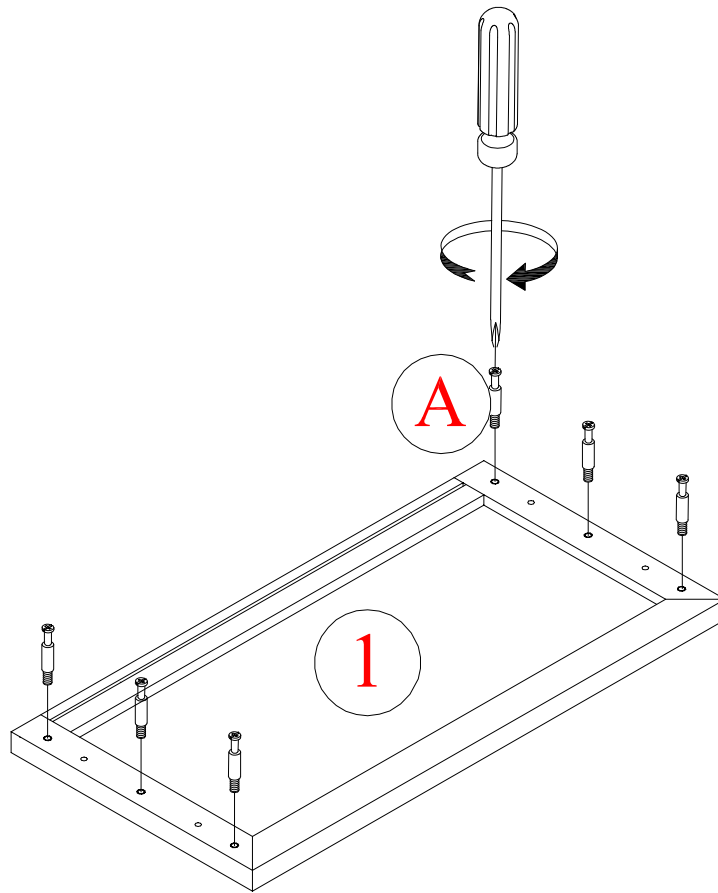


# Step 11:


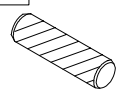
A

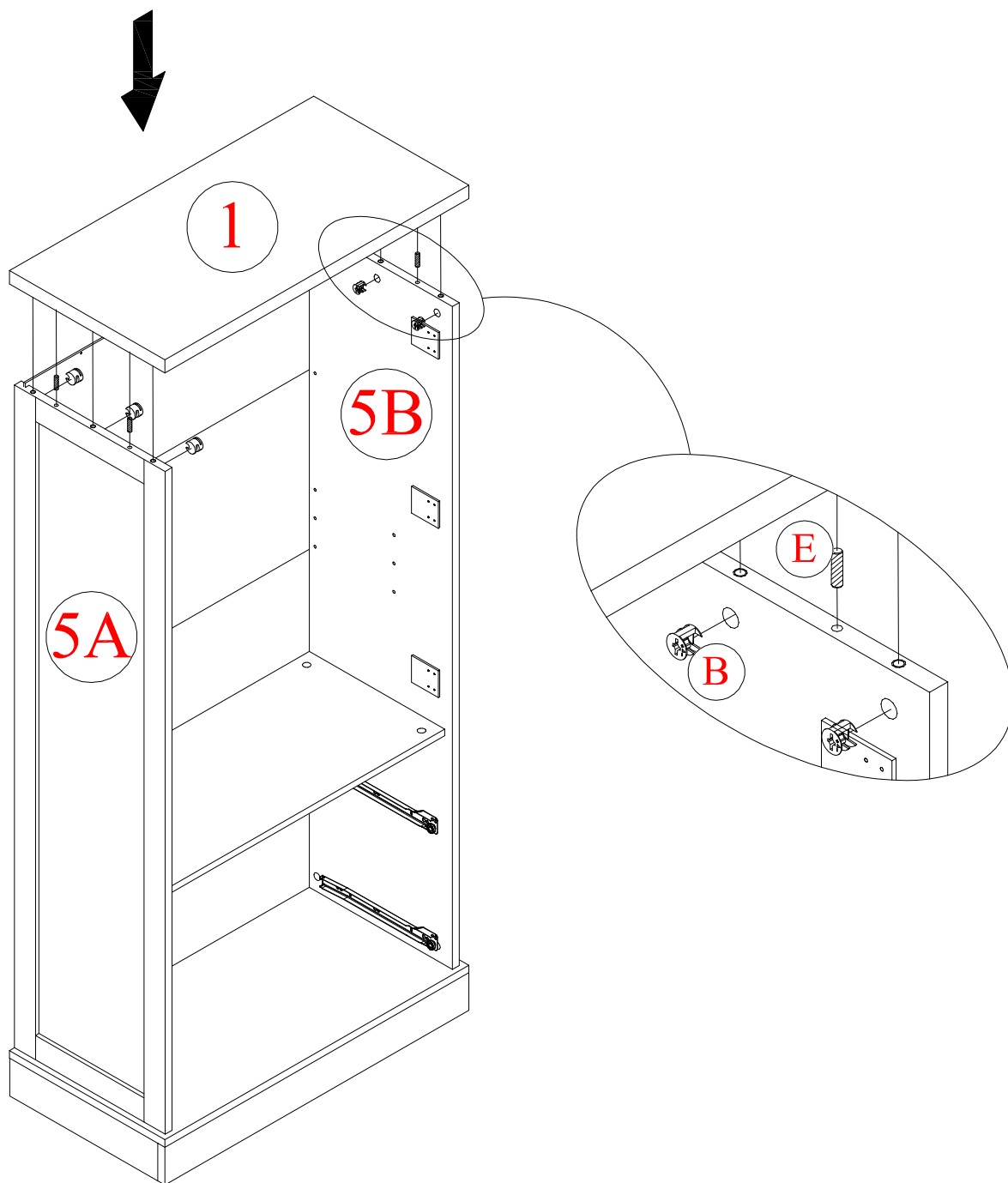


6pcs



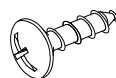
# Step 12:

<b>B</b>		<b>E</b>	
6pcs		4pcs	

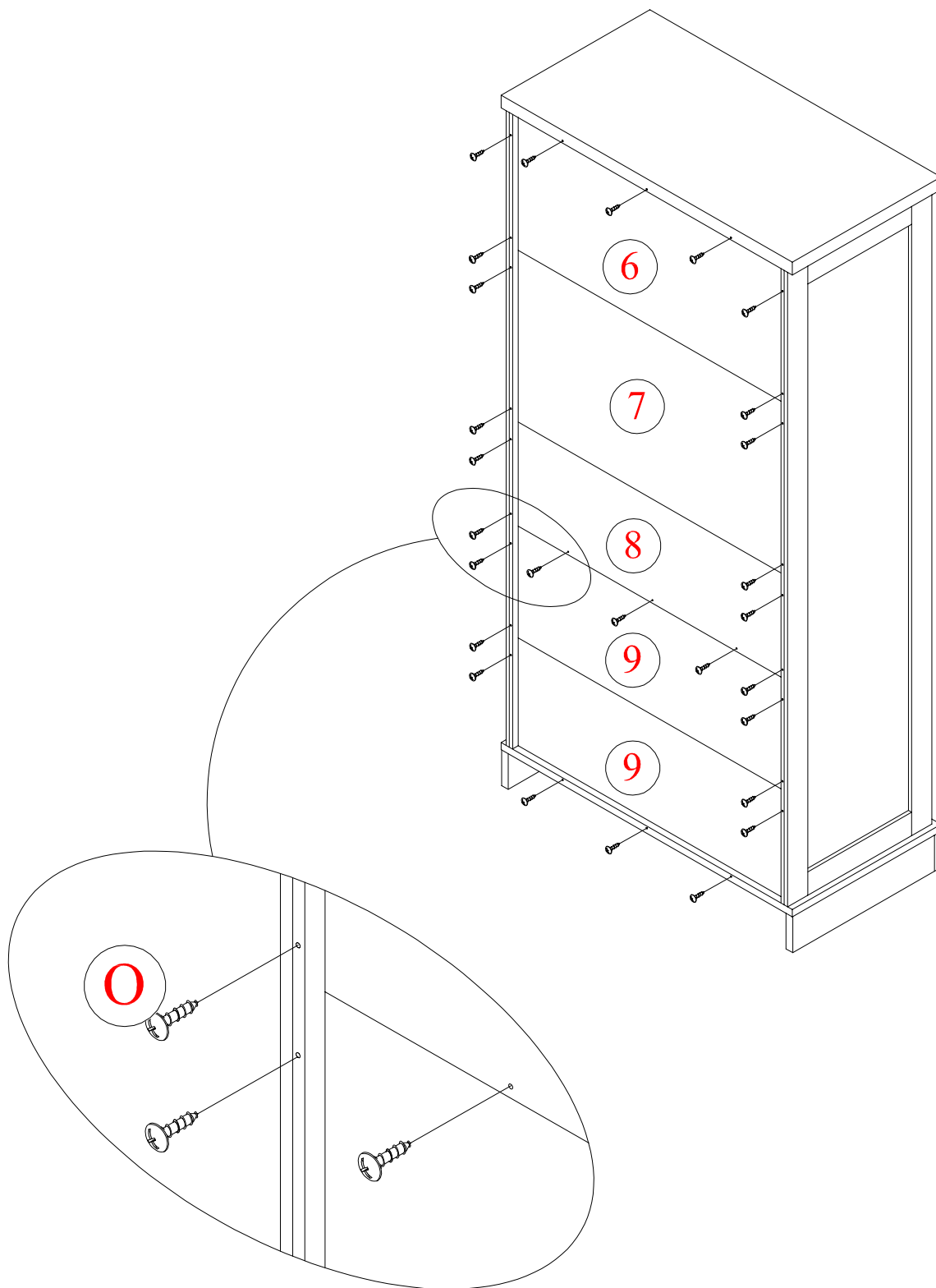


# Step 13:

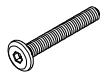
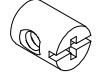
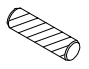
0

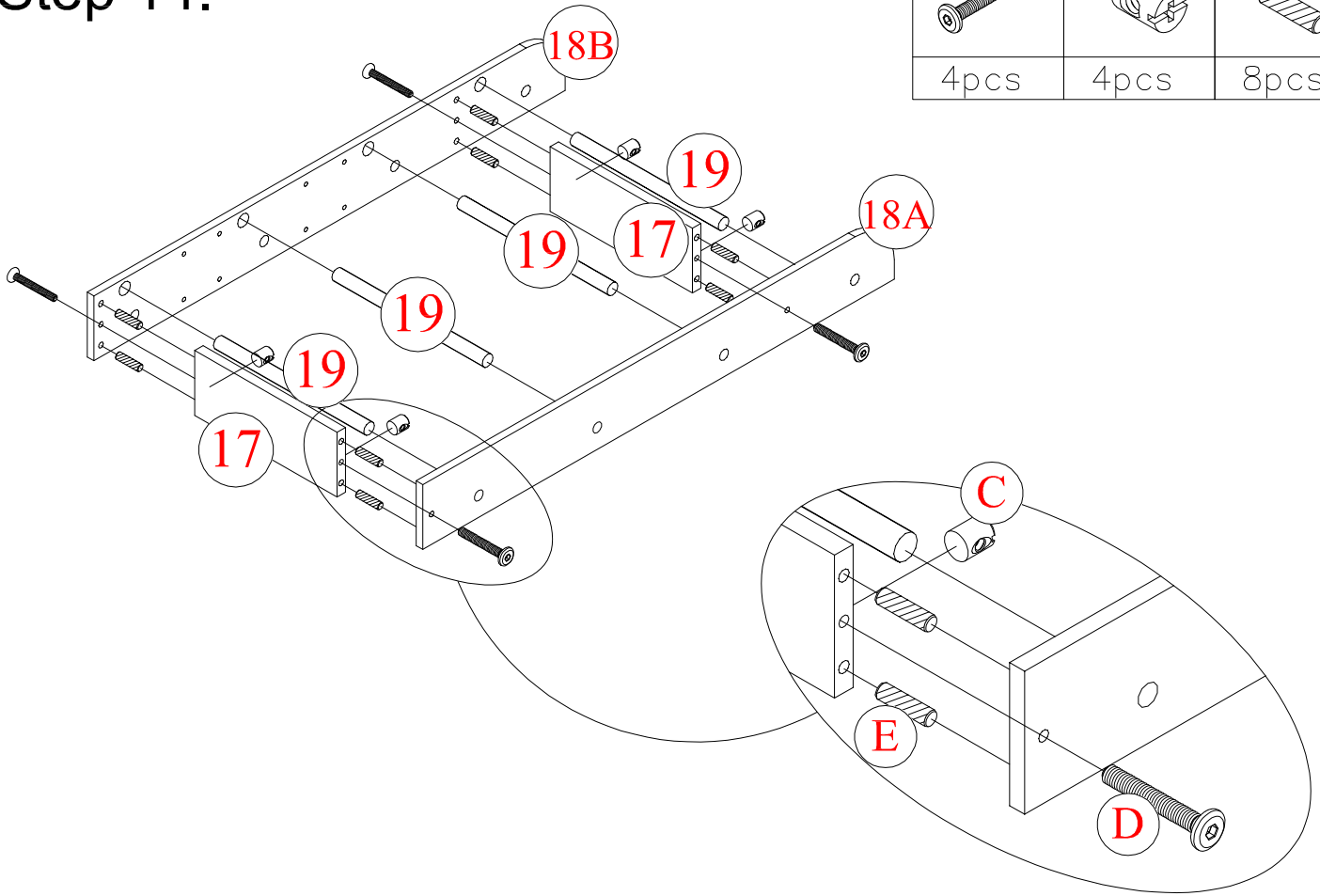


27pcs

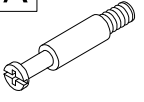


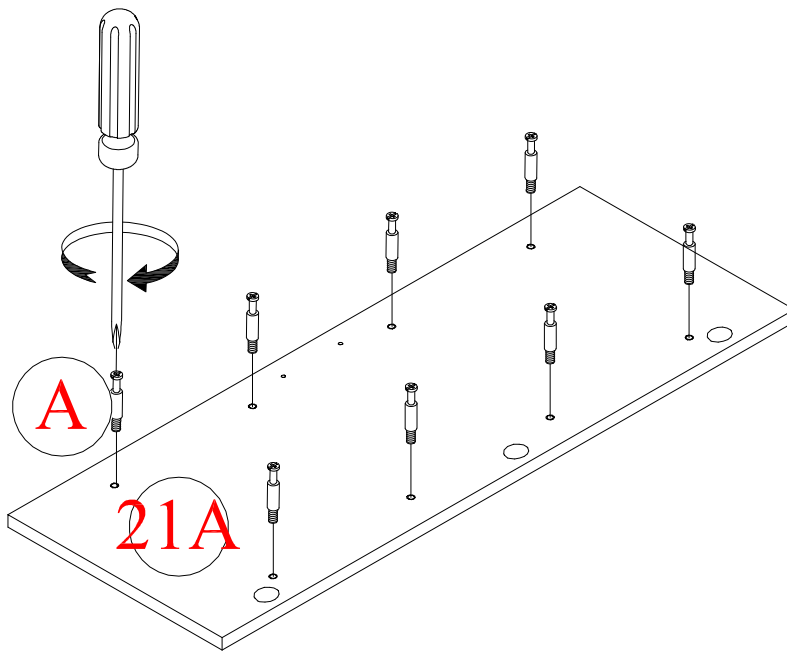
# Step 14:

<b>D</b> 	<b>C</b> 	<b>E</b> 
4pcs	4pcs	8pcs

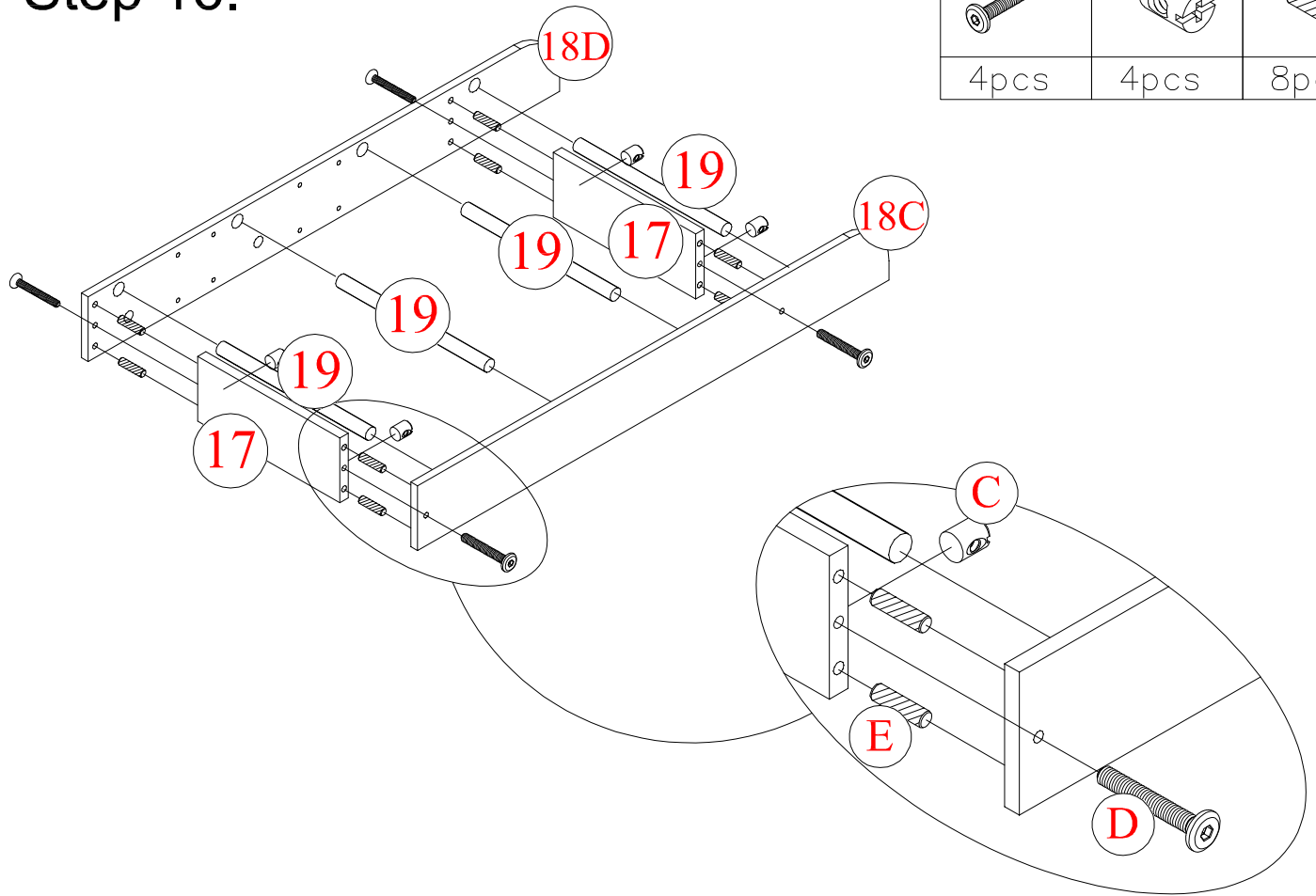


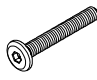
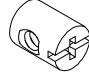
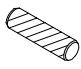
# Step 15:

<b>A</b> 
8pcs

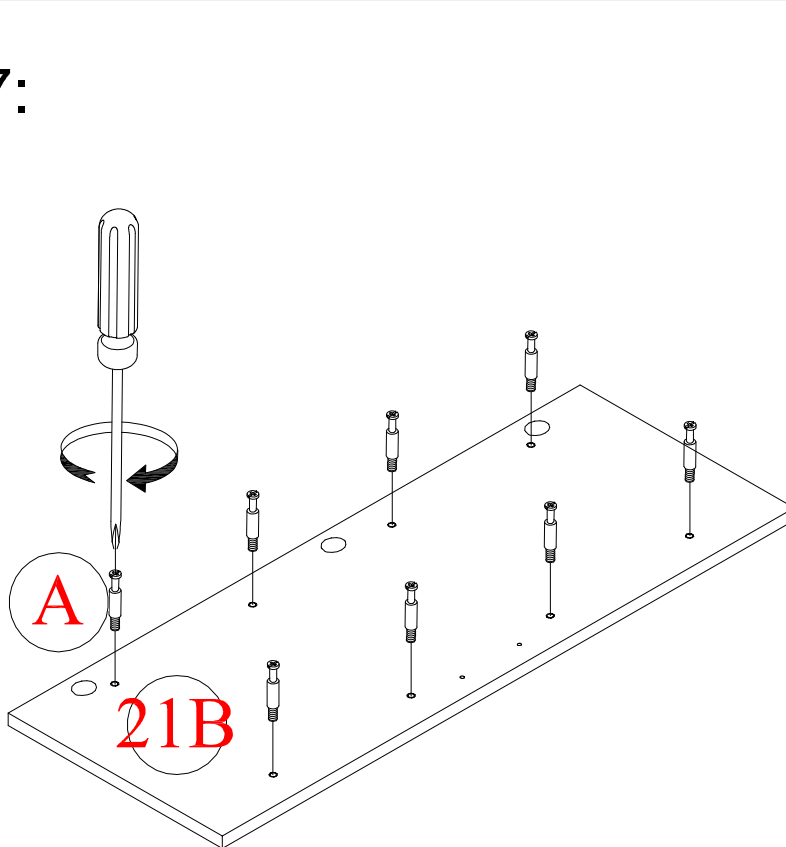


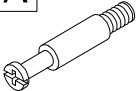
# Step 16:




D	C	E
		
4pcs	4pcs	8pcs

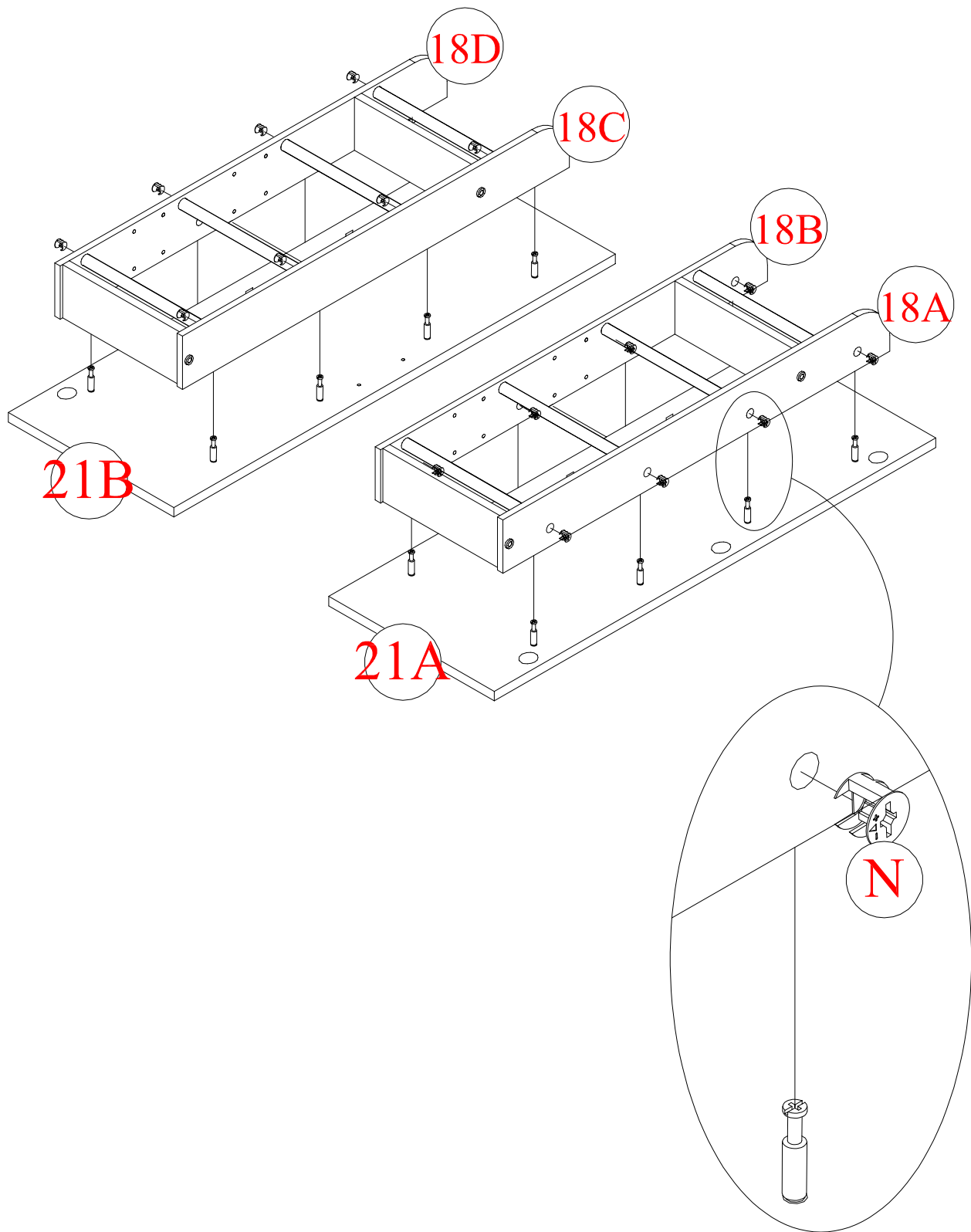
# Step 17:




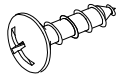
A

8pcs

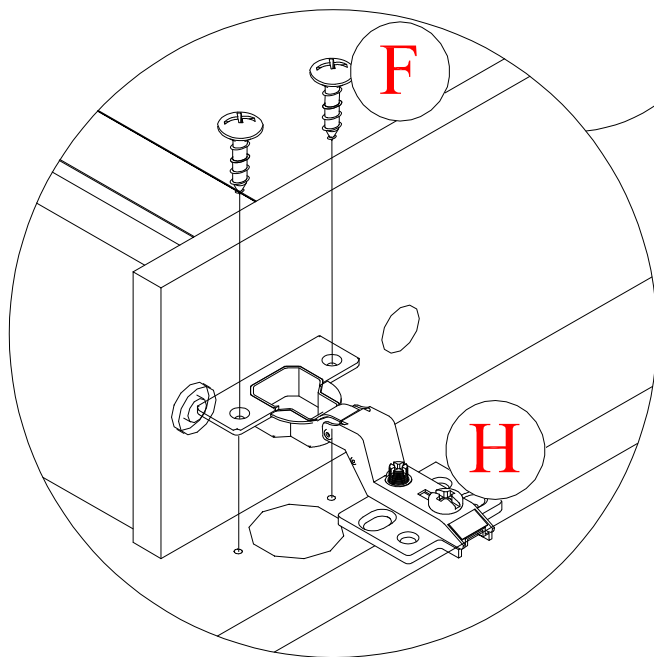
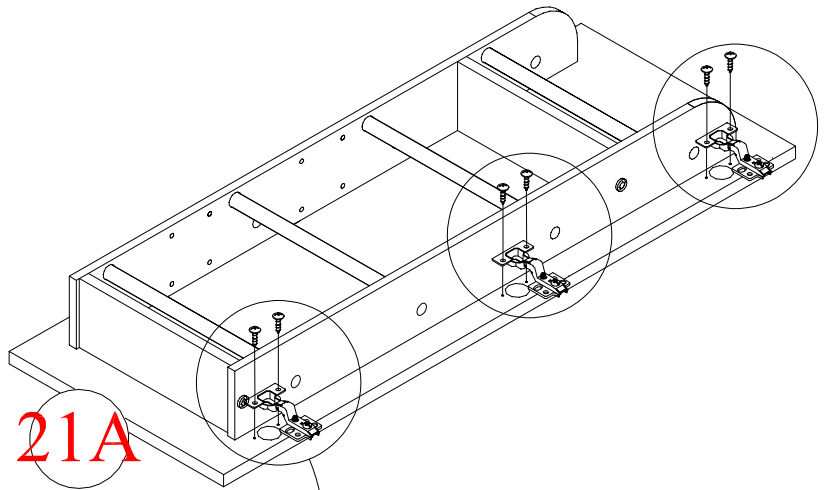
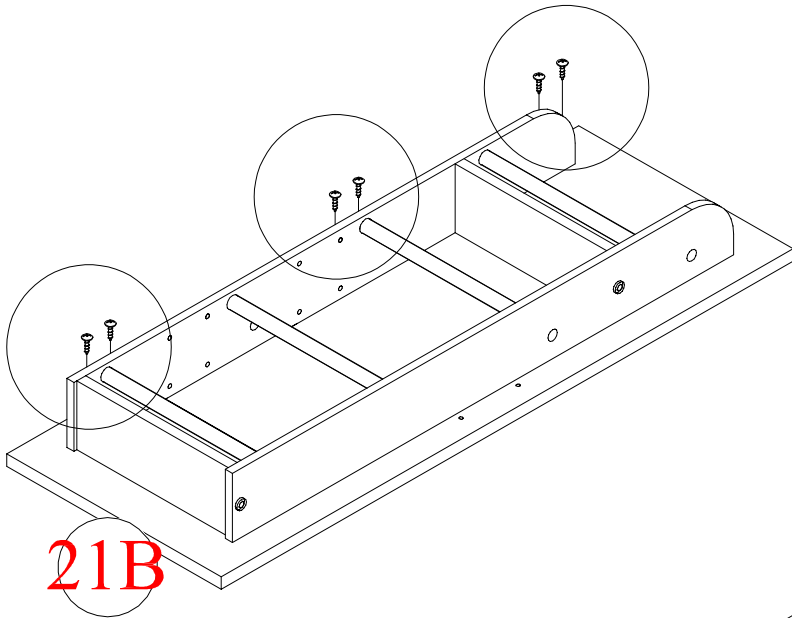
# Step 18:

N

16pcs


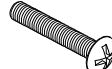
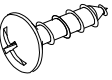


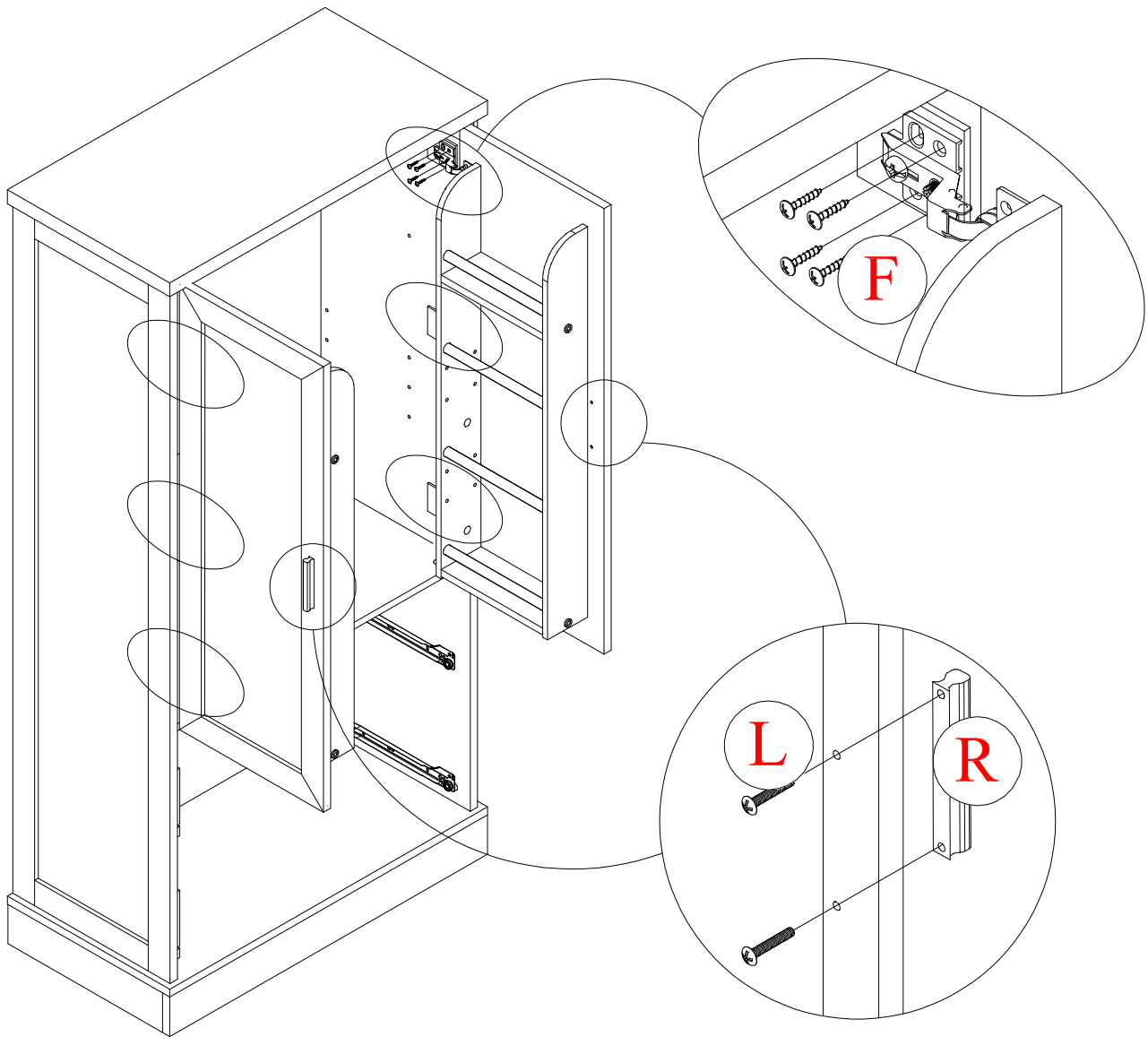
# Step 19:

H	F
	
6pcs	12pcs



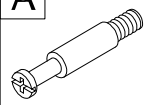
# Step 20:

R	L	F
		
2pcs	4pcs	24pcs

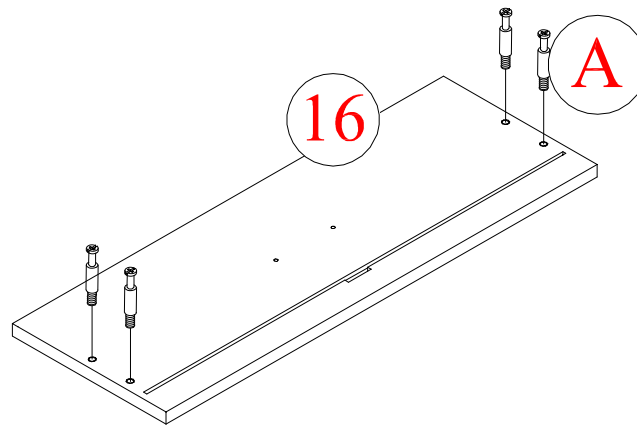


Step 21:

A



8pcs



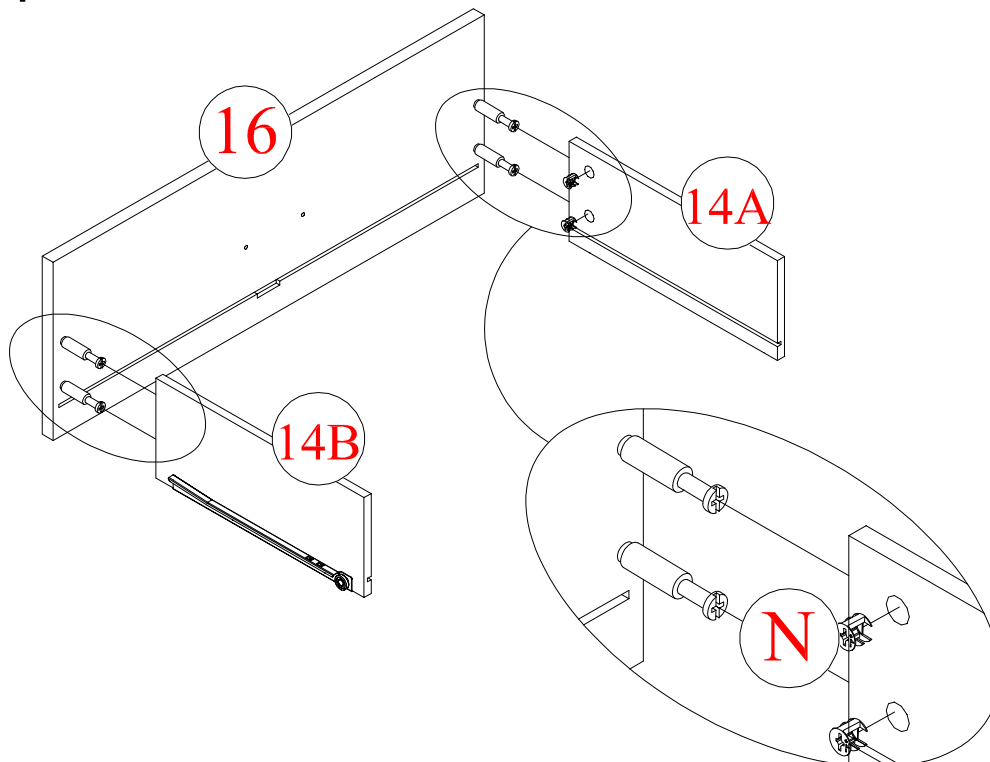
**X2**

Step 22:

N

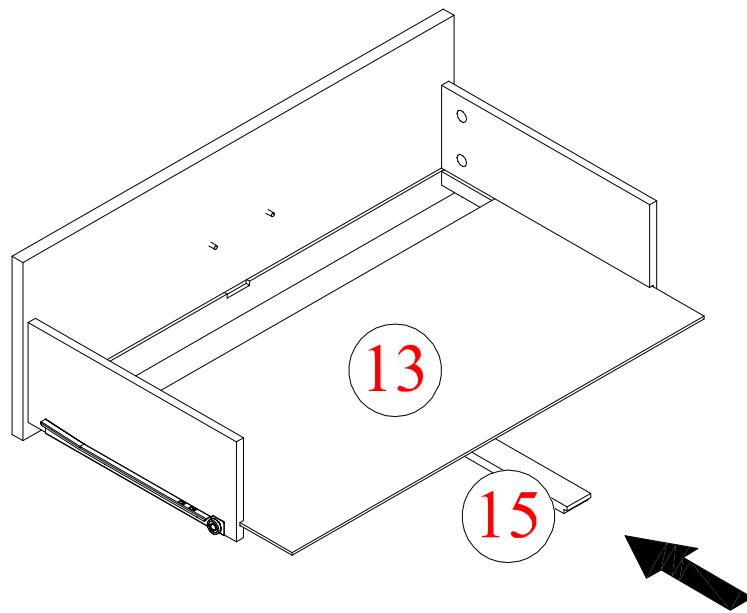


8pcs



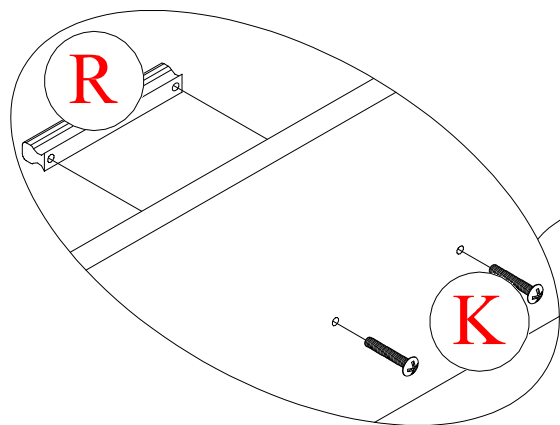
**X2**

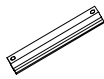
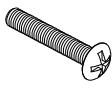
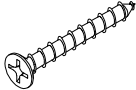
# Step 23:

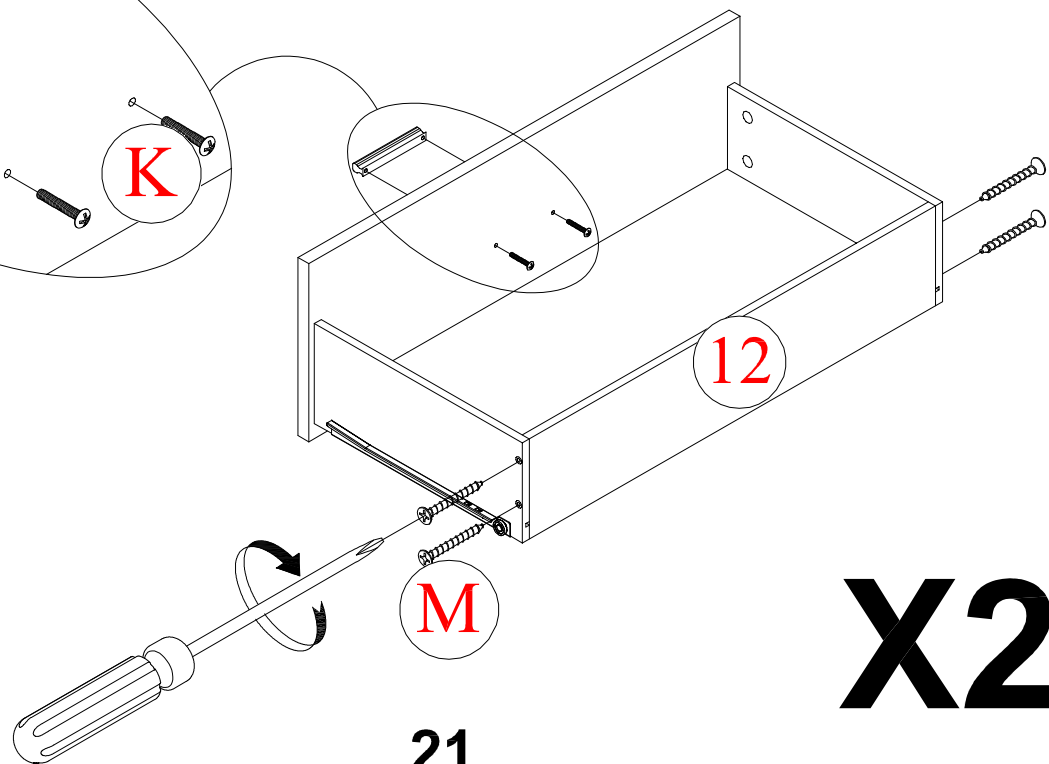


**X2**

# Step 24:



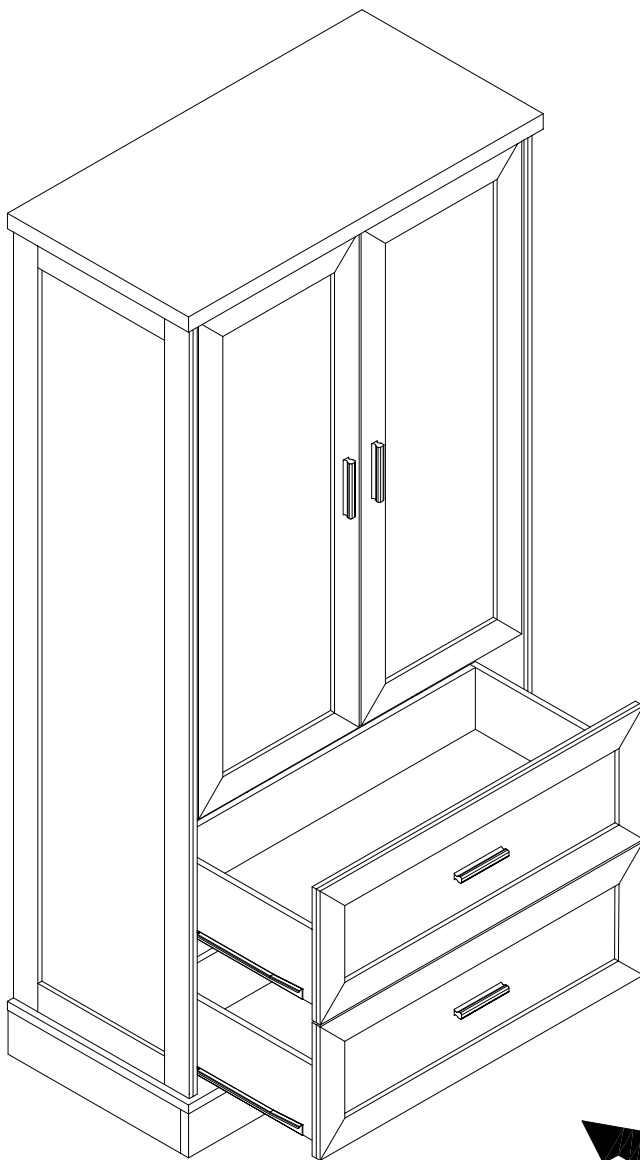
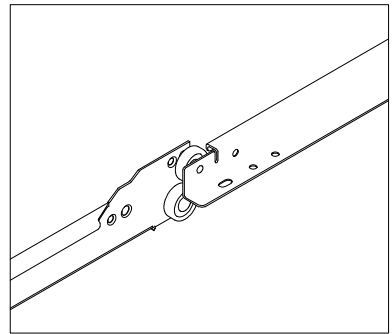
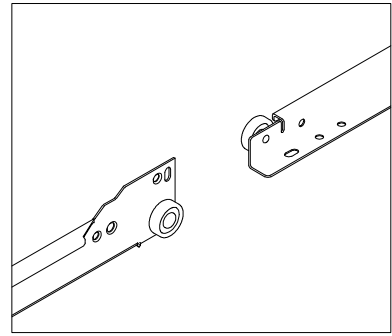
R	K	M
		
2pcs	4pcs	8pcs





**X2**

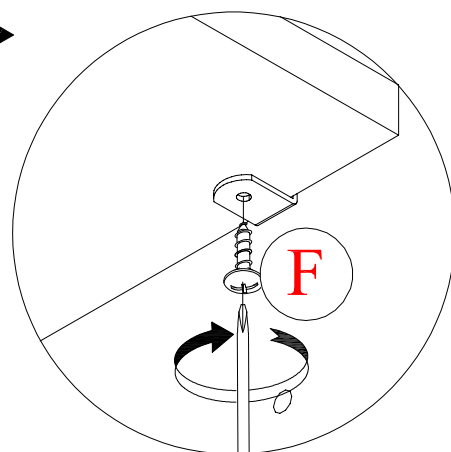
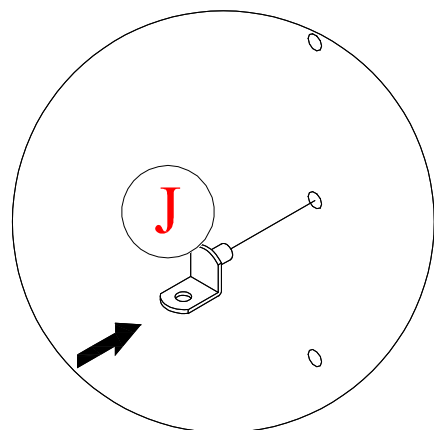
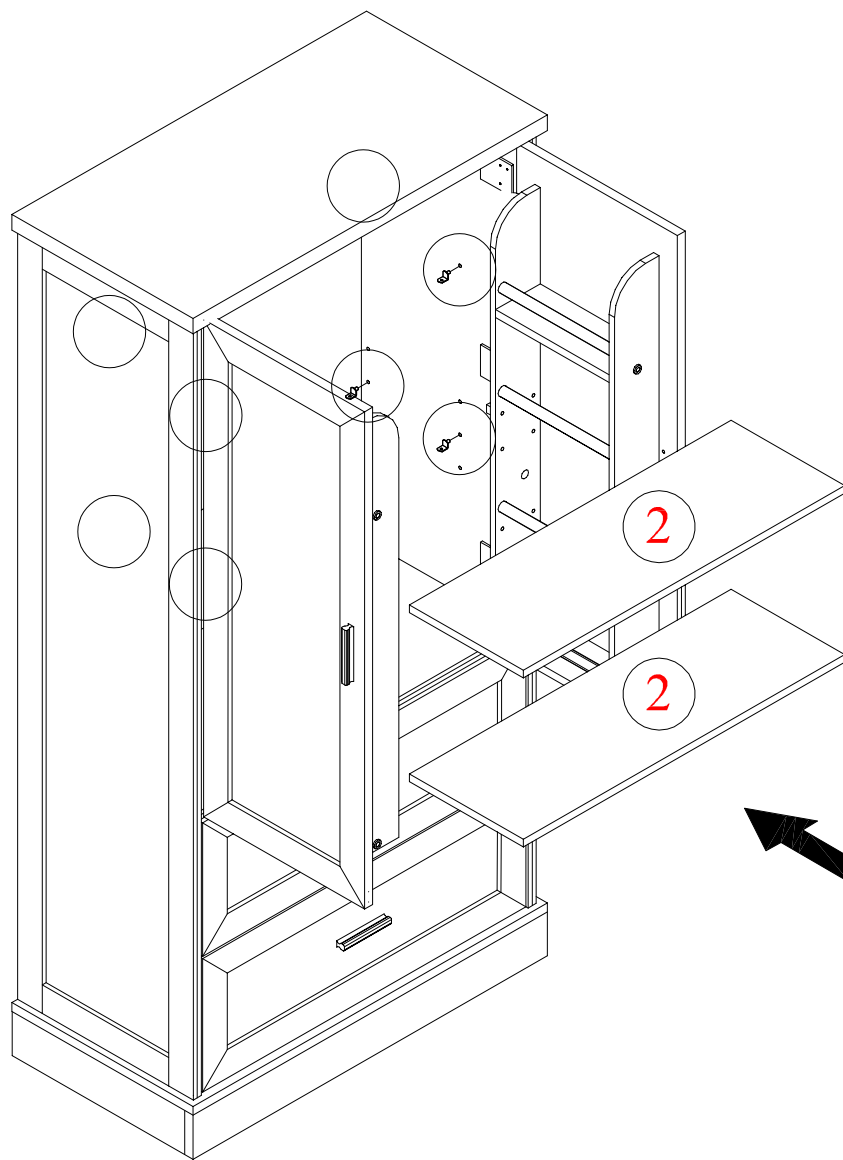
**21**

# Step 25:


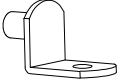


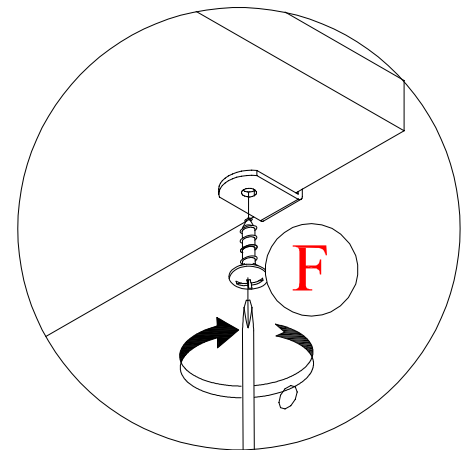
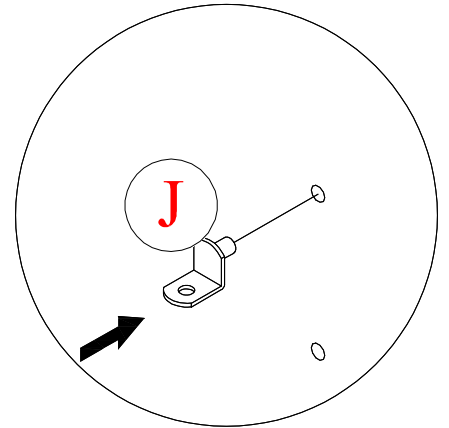
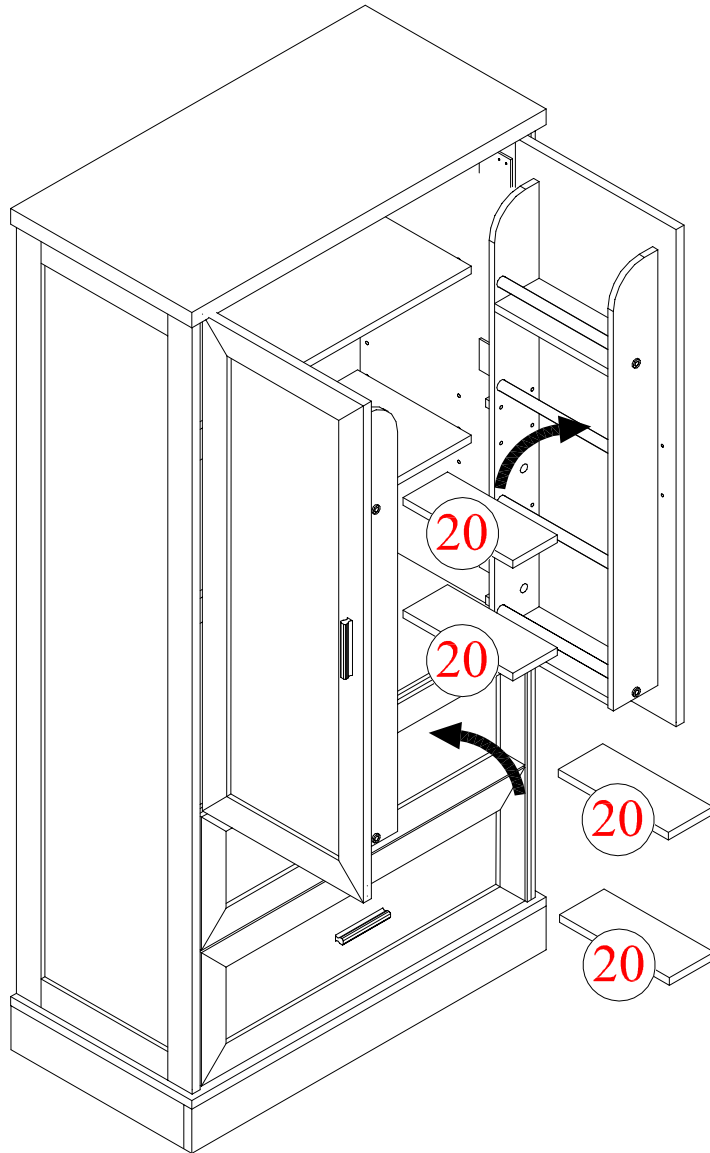
# Step 26:

<b>F</b> 	<b>J</b> 
8pcs	8pcs

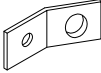
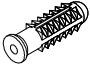



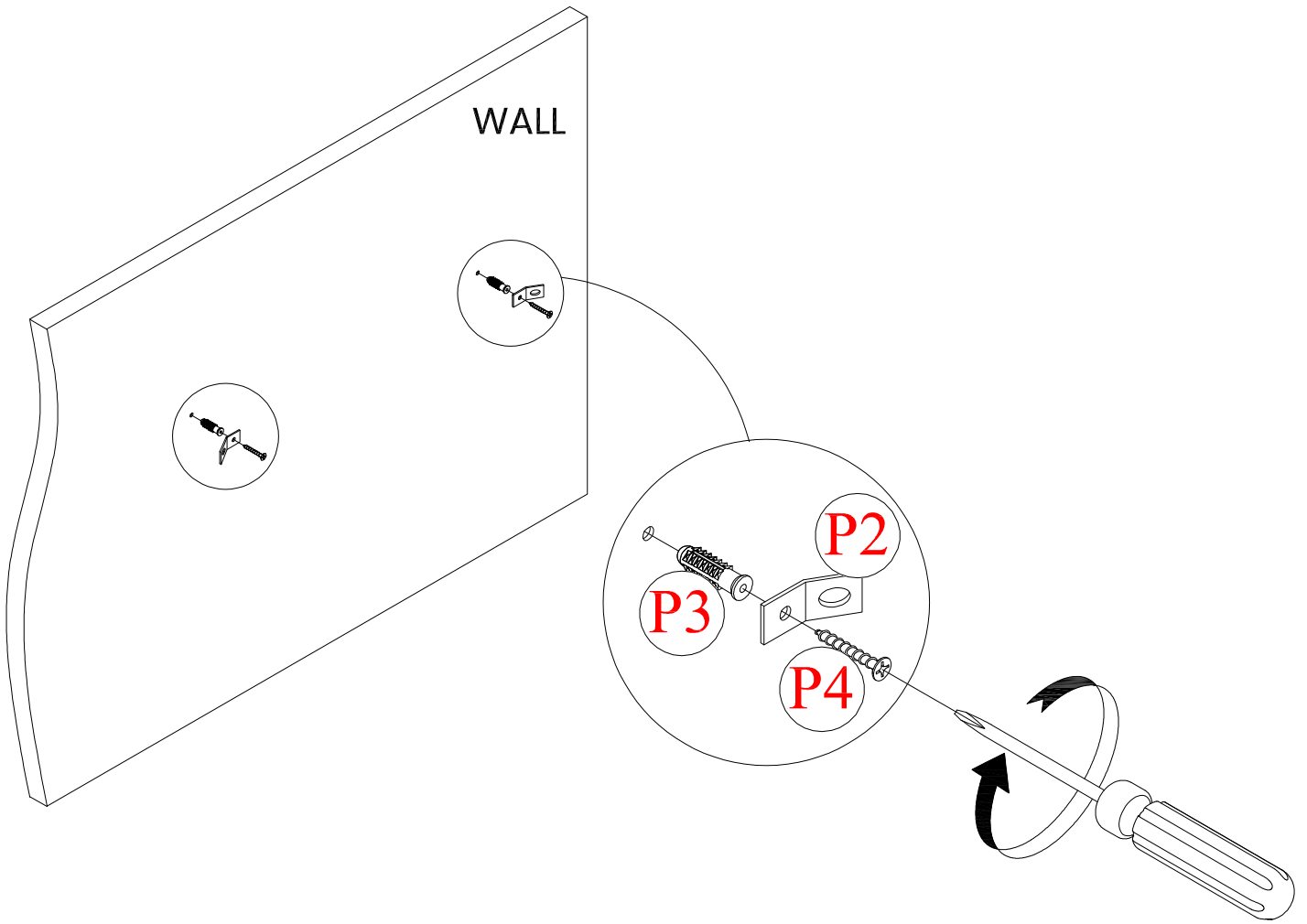
# Step 27:

<b>F</b> 	<b>J</b> 
16pcs	16pcs

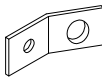



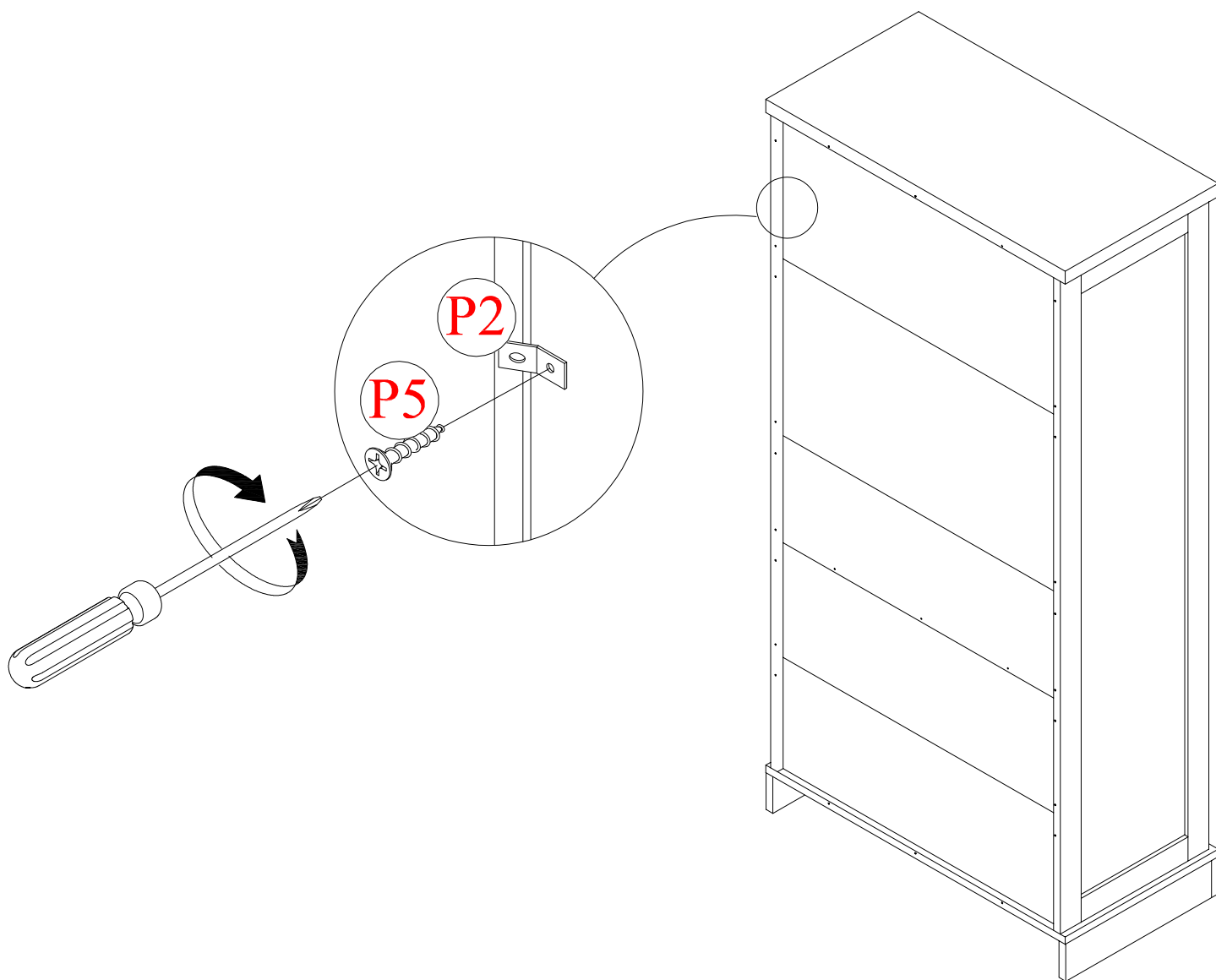
# Step 28:

P-2	P-3	P-4
		
2pcs	2pcs	2pcs



# Step 29:

P-2	P-5
	
2pcs	2pcs

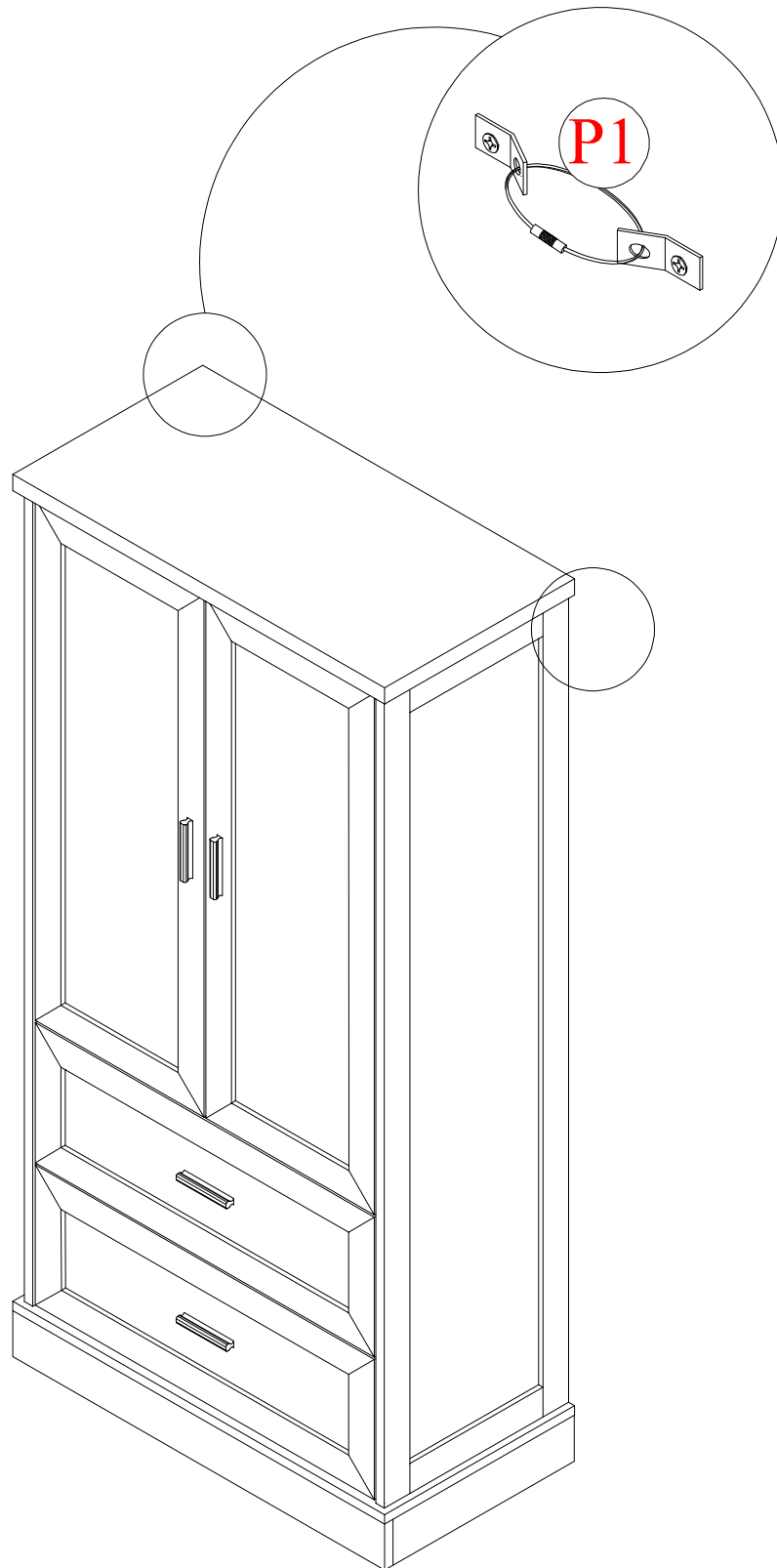


Step 30:

P-1



2pcs



# FINISH

