




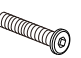





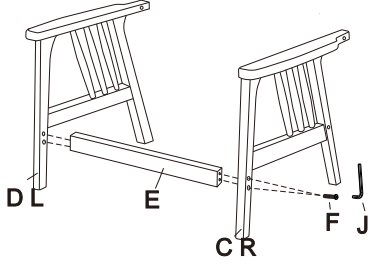


# ASSEMBLY INSTRUCTIONS

A		1PC
B		1PC
C	 R	1PC
D	 L	1PC
E		1PC
F	 M8*60	10PCS
G		4PCS
H		2PCS
I		8PCS
J		1PC
K		1PC

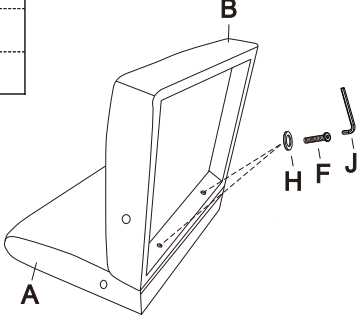
**Step1** (screw tightened 80%)

CX1  
DX1  
EX1  
FX4  
JX1



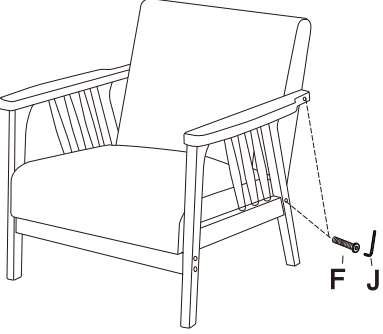
**Step2** (screw tightened 80%)

AX1  
BX1  
FX2  
HX2  
JX1



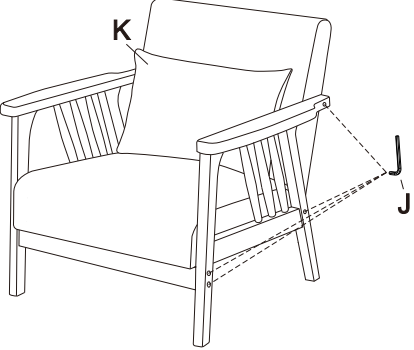
**Step3** (screw tightened 80%)

FX4  
JX1



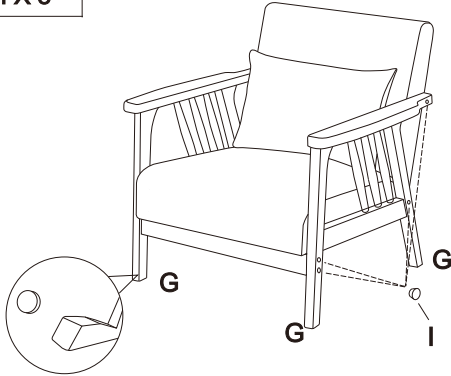
**Step4** (screw tightened 100%)

JX1  
KX1



**Step5**

GX4  
IX8



**WARNING: \*DO NOT STAND ON THE CHAIRS \*THESE CHAIRS ARE DESIGNED TO SEAT ONE PERSON ONLY PER CHAIR \*DO NOT USE THE CHAIR UNLESS ALL THE BOLTS AND SCREWS ARE FINALLY TIGHTENED  
\*AT LEAST EVERY FOUR MONTHS, PLEASE CHECK ALL BOLTS AND SCREWS TO MAKE SURE THEY ARE SECURELY TIGHTENED  
\*IF ANY PARTS ARE MISSING, BROKEN, DAMAGED OR WORN, STOP USING THIS PRODUCT IMMEDIATELY UNTIL REPAIRS ARE MADE  
\*FAILURE TO FOLLOW THESE WARNINGS COULD RESULT IN SERIOUS INJURY**