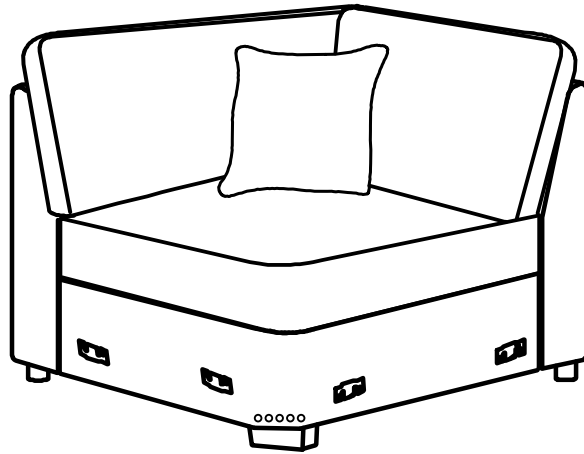
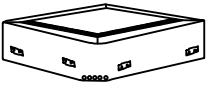

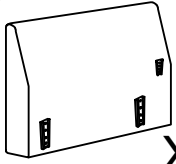




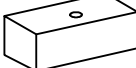

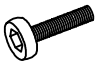

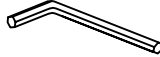


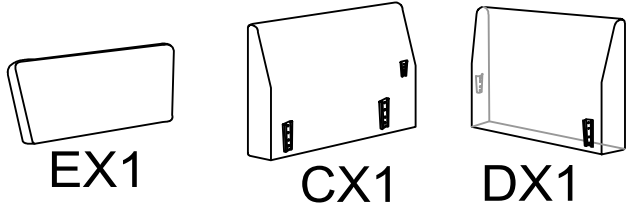
# ASSEMBLY INSTRUCTION



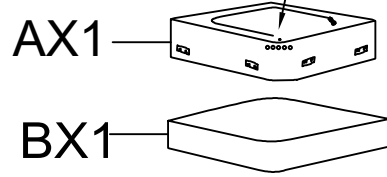
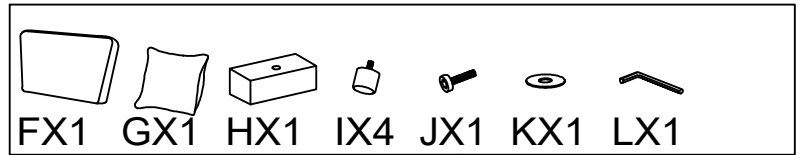
## PARTS LIST

A  X1	B  X1	C  X1	D  X1	E  X1
F  X1	G  X1	H  X1	I  X4	J  X1
K  X1	L  X1			

Packing list:

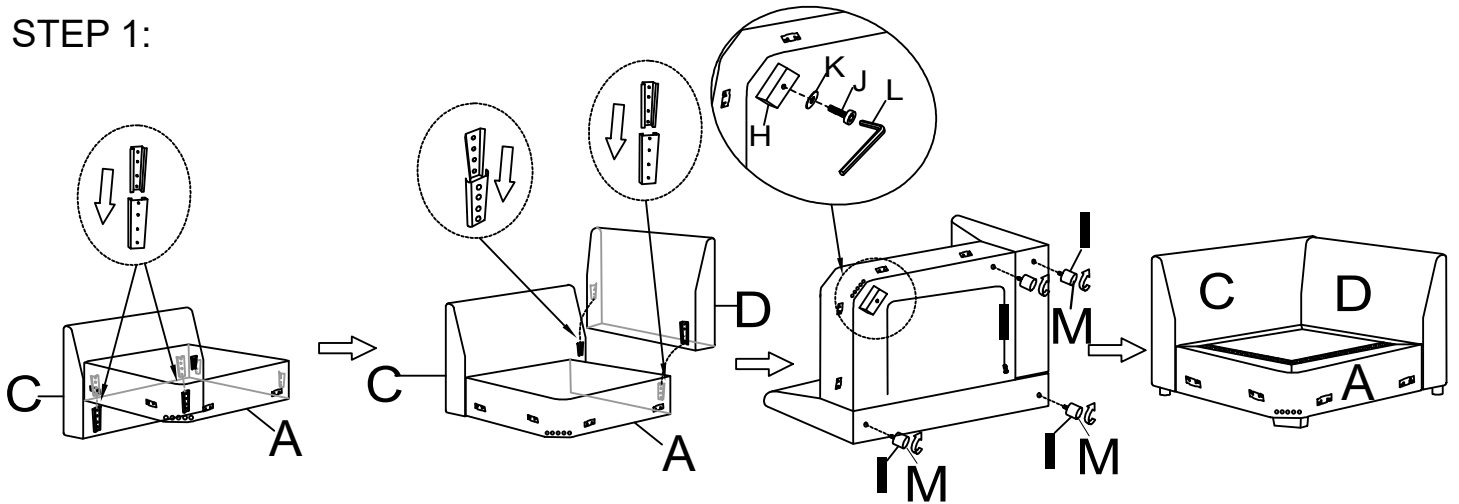


Carton 5/8



Carton 5/8

STEP 1:



STEP 2:

