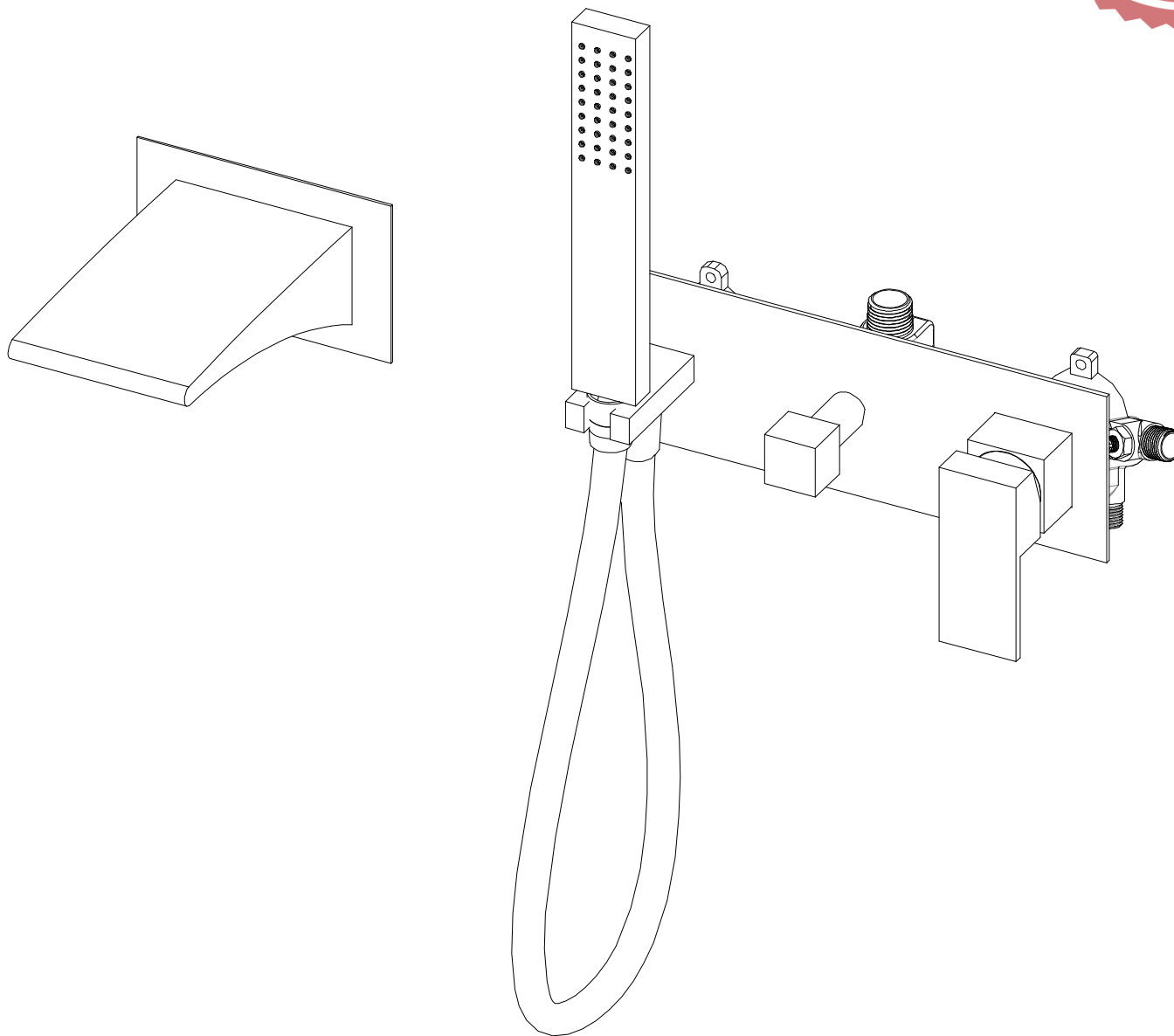
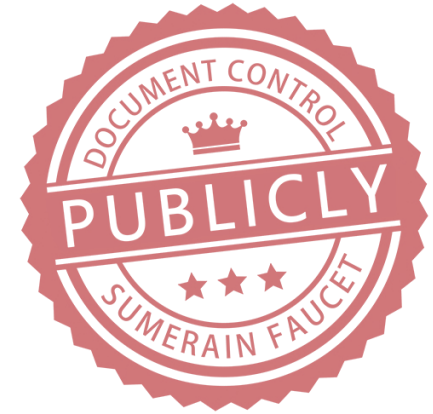


**INSTALLATION GUIDE**



**WALLMOUNT WATERFALL TUB FAUCET**

MODEL (OLD)	MODEL (NEW)	FINISH
S2121CW-B	S2121WB-CH	CHROME
S2121NW-B	S2121WB-BN	BRUSHED NICEKL
S2121OW-B	S2121WB-OB	Oil Rubbed Bronze
S2121DW-B	S2121WB-MB	Matte Black
S2121BGW-B	S2121WB-BG	Brushed Gold

**HOT LINE: +1-866-203-0866**

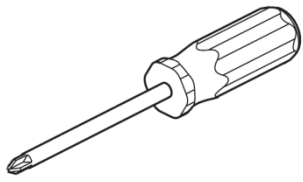
## THANK YOU

Dear Valued Customer,  
SUMERAIN would like to take this opportunity to thank you for purchasing SUMERAIN products. It is our sincere hope that you are completely satisfied with your new purchase. All SUMERAIN products are carefully engineered, and factory tested to provide long trouble-free use under normal conditions. This product is easy to install using basic tools and our easy to follow illustrated instructions. We welcome any questions or comments you may have and look forward to assisting you in the future. If you have any questions regarding this product, call +1-866-203-0866 or email to [support@sumerain.com](mailto:supports@sumerain.com) .  
Sincerely,  
SUMERAIN customer service department

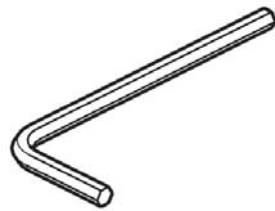
## BEFORE PROCEEDING

1. Unpack your new product and ensure that all the parts are contained in the packaging. Keep the product in its original box until you ready to install it.
2. Locate water supply inlets and shut off the water supply valves. These are usually found near the water meter.  
if you are replacing an existing unit, remove the old unit and clean the mounting surface thoroughly.
3. Observe all plumbing and building codes in your area.
4. It recommends calling professional if you are uncertain about installing this product.

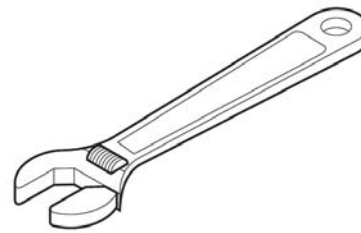
## TOOLS RECOMMENDED



Philips screwdriver  
Sealant



Allen wrench



adjustable wrench



Channel locks



Thread

## LIMITED LIFETIME CONSUMER WARRANTY

VERSION: 140320.15.3

This product has been manufactured and tested to the highest quality standards by SUMERAIN sanitary Inc("SUMERAIN").This warranty is limited to SUMERAIN products which are purchased by a consumer in the China after Jan 1,2010 and installed in China or the state which has SUMERAIN technical support department locally.(visit <http://www.sumerain.com/en/supportcenter.asp> for review the state list of SUMERAIN technical support department).If the faucet should leak or drip during normal use,SUMERAIN will, free of charge, mail to the purchaser the cartridge necessary to put the faucet in good working condition. If a defect is found in normal residential use, SUMERAIN will, at its election, repair, provide a replacement part or product, or make appropriate adjustment.

### WHO IS COVERED BY THE WARRANTY

This warranty extends to the original consumer purchaser only (exclusive online retail original customer, online retail original customer cover by the "Online CONSUMER Limited Lifetime WARRANTY & Return policy"), This warranty is not-transferable.

### WHAT IS COVERED BY THE WARRANTY

This warranty covers only your SUMERAIN manufactured product. SUMERAIN warrants this product against defects in material or workmanship as follows: SUMERAIN will repair at no charge for parts only or, at its option, replace any product or part of the product that proves defective because of improper workmanship and/or material, under normal installation, use, service and maintenance. If SUMERAIN unable to provide replacement, SUMERAIN may elect to provide similar model upon close value.

### FINISH WARRANTY

It is the responsibility of the customer to check for any material finish defects before installation. SUMERAIN doesn't warranty these finishes after the fixture has been installed.

### ELECTRONIC FAUCETS WARRANTY

SUMERAIN warrants that its electronic faucets, valves and controls to be free from manufacturing defects in material and workmanship under normal use for three(3) years from the date of purchase and waterflow impeller-dynamo (generate power for LED faucet) for six(6) months from the date of purchase.

### LENGTH OF WARRANTY

Replacement or repaired parts of products will be covered for the term of this warranty as stated in the following two sentences, if you are a consumer who purchased the product for use primarily for personal,family,or household purposes, this warranty extends for 5 years since the product originally installed (Extend max 1 month From the date of purchase).if you purchased the product for use primarily for any other purpose,including,without limitation, a commercial purpose or is installed outside of US, or if the finish is gold, non-Vibrant or a painted or powder coated color finish this warranty extends only for one year, with respect to SUMERAIN and commercial products.

### THIS WARRANTY DOES NOT COVER, AND SUMERAIN WILL NOT PAY FOR:

- A. Conditions, malfunctions or damage not resulting from defects in material or workmanship.
- B. Conditions, malfunctions or damage resulting from normal wear and tear, improper installation, improper maintenance, misuse, abuse,negligence,accident or alteration or the use of abrasive or caustic cleaning agents or "no-rinse" cleaning products, or the use of the product in any manner contrary to the product instructions. Conditions in the home such as excessive water pressure or corrosion.
- C. Labor or other expenses for the disconnection, deinstallation, or return of the product for warranty service, or for installation or reinstallation of the product.
- D. Accessories, connected materials and products (including but not limited in handshower flexible hose, spray flexible hose, handshower,shower head).

### TO OBTAIN WARRANTY PARTS OR INFORMATION

Contact your SUMERAIN retailer or contact technical service at: [supports@sumerain.com](mailto:supports@sumerain.com)

In requesting warranty service, you will need to provide

1. The sales receipt or other evidence of the date and the place of purchase.
2. A description of the problem (Download URL: <http://www.sumerain.com/download/servicerequest/sheet.pdf> and fill out the Service Request Sheet).
3. Delivery of the product or the defective part, postage prepaid and carefully packed and insured to specified address.

When warranty service is completed, any repaired or replacement product or part will be returned to you postage prepaid.

### EXCLUSIONS AND LIMITATIONS

Repair or replacement (or, in limited circumstances, refund of the purchase price) as provided under this warranty is the exclusive remedy of the purchaser. SUMERAIN neither assumes nor authorizes any person to create for it any obligation or liability in connection with this product.SUMERAIN shall not be liable to purchaser or any person for any incidental, special, or consequential damages, arising out of breach of this warranty or any implied warranty (including merchantability) Some states do not allow the exclusion or limitation of incidental or consequential damages, so the above limitation or exclusion may not apply to you. This warranty gives you specific legal right, and you may have other rights which vary from state to state. You may be required by law to give us a reasonable opportunity to correct or cure any failure to comply before you can bring any action in court against us under the Magnusson-moss warranty Act.

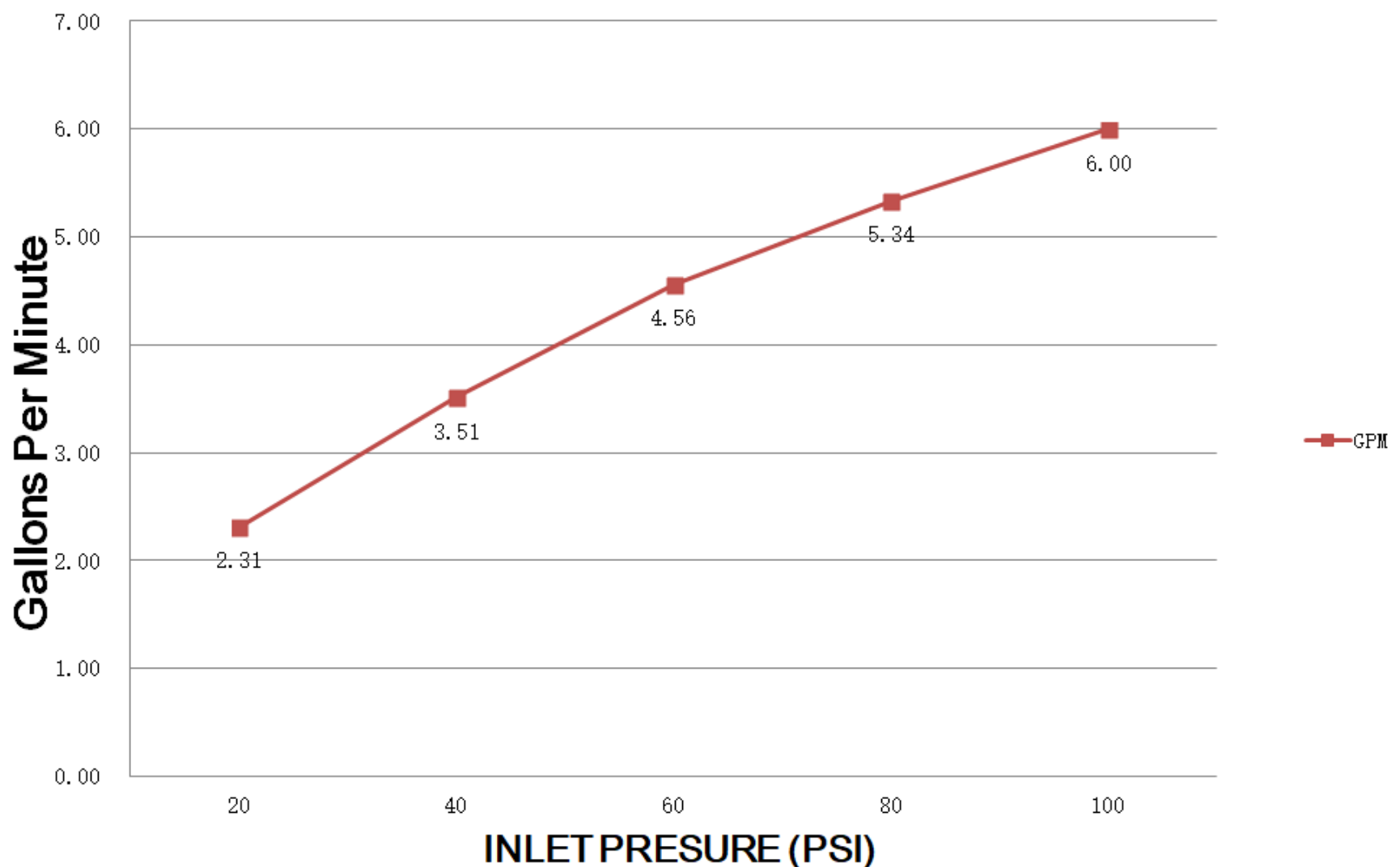
### PRODUCT INSTRUCTIONS AND QUESTIONS

Upon purchase or prior to installation, please carefully inspect your SUMERAIN product for any damage or visible defect. Prior to installing, always carefully study the enclosed instructions on the proper installation and the care and maintenance of the product. if you have questions at any time about the use,installation,or performance of your SUMERAIN product, or this warranty, please call or email us at +1-866-2030-866, [supports@sumerain.com](mailto:supports@sumerain.com)

## FUNCTIONS AND SPECIFICATION

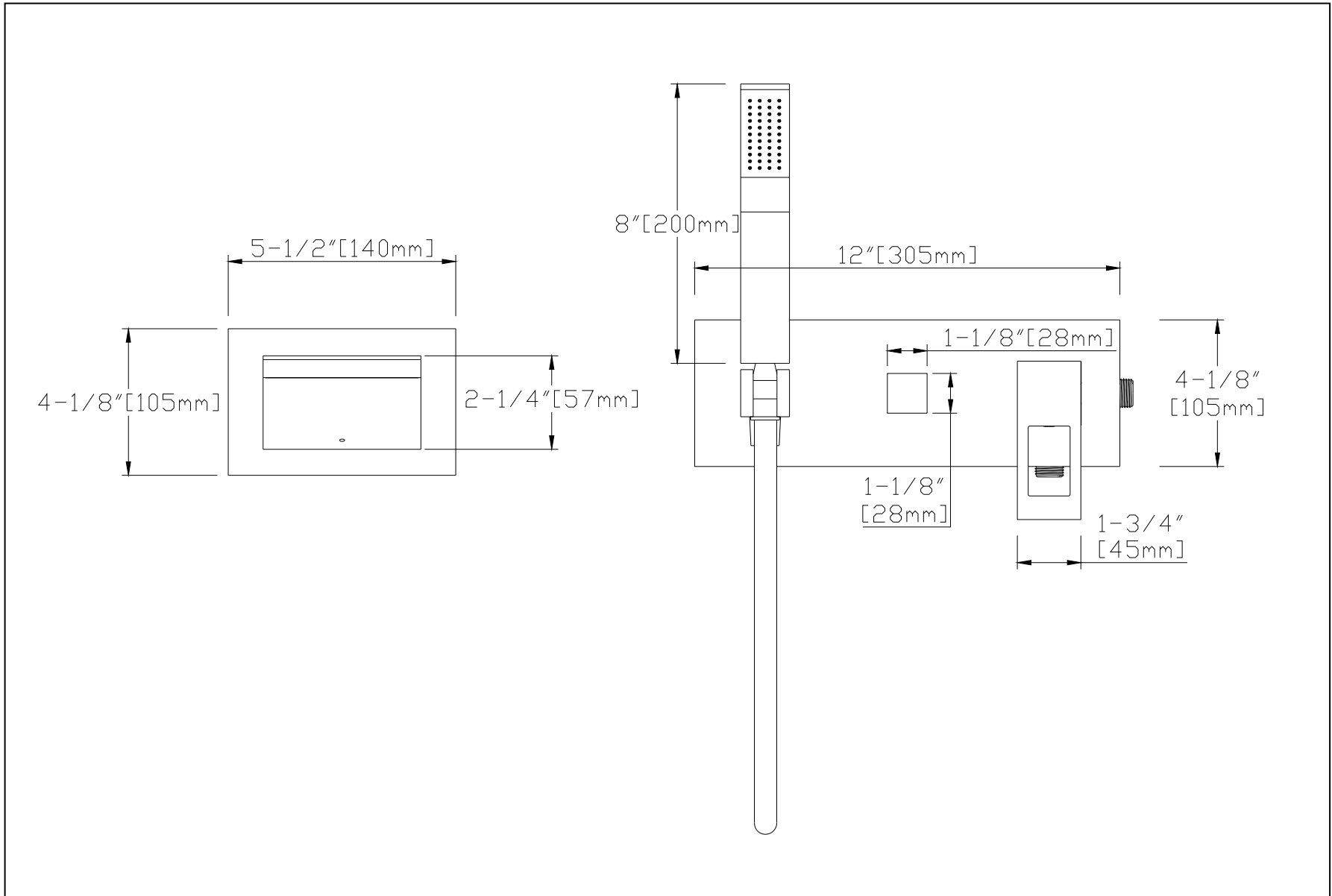
<b>Faucet type</b>	Tub faucet
<b>Feature</b>	Waterfall
<b>Theme</b>	Modern, Contemporary
<b>Mounting type</b>	Wall mounted
<b>Finish</b>	Chrome/Brushed nickel/Matte Black/Brushed Gold/Oil Rubbed Bronze
<b>Number of Handles</b>	Two
<b>Handles Material</b>	Metal
<b>Handle style</b>	Lever and knob
<b>Escutcheon included</b>	Yes
<b>Escutcheon Width</b>	105mm [ 4-1/8 Inch]
<b>Escutcheon Length</b>	305mm [ 12 Inch]
<b>Valve Type</b>	Pressure Balance
<b>Faucet Body Material</b>	Brass
<b>Escutcheon Material</b>	Stainless steel
<b>Diverter included</b>	Yes
<b>Hand shower included</b>	Yes
<b>Diverter location</b>	Rough-in Valve
<b>Tub Spout Flow rate</b>	Max 22.7L/M [6.0 GPM ]
<b>Hand shower Flow rate</b>	4,54L/M [ 1,2 GPM ]
<b>Tub Spout Material</b>	Stainless steel
<b>Tub Spout Reach</b>	172mm [ 6-25/32 Inch]
<b>Tub Spout Width</b>	97mm [3-13/16 Inch]
<b>Hand shower width</b>	35mm [ 1-3/8 Inch]
<b>Hand shower Length</b>	210mm [8-1/4 Inch]
<b>Shower hose included</b>	Yes
<b>Shower hose Length</b>	1500mm [59-1/16Inch]
<b>Recommend Working water pressure</b>	3 bar ~ 10 bar
<b>Net Weight</b>	4.2KG [ 9.27 lbs ]
<b>Gross Weight</b>	5.05KG [ 11.1 lbs ]
<b>Packing box [L x W x H]</b>	500mm[19-11/16"]x345mm[13-9/16"]x135mm[5-5/16"]

### TUB SPOUT FLOW RATE

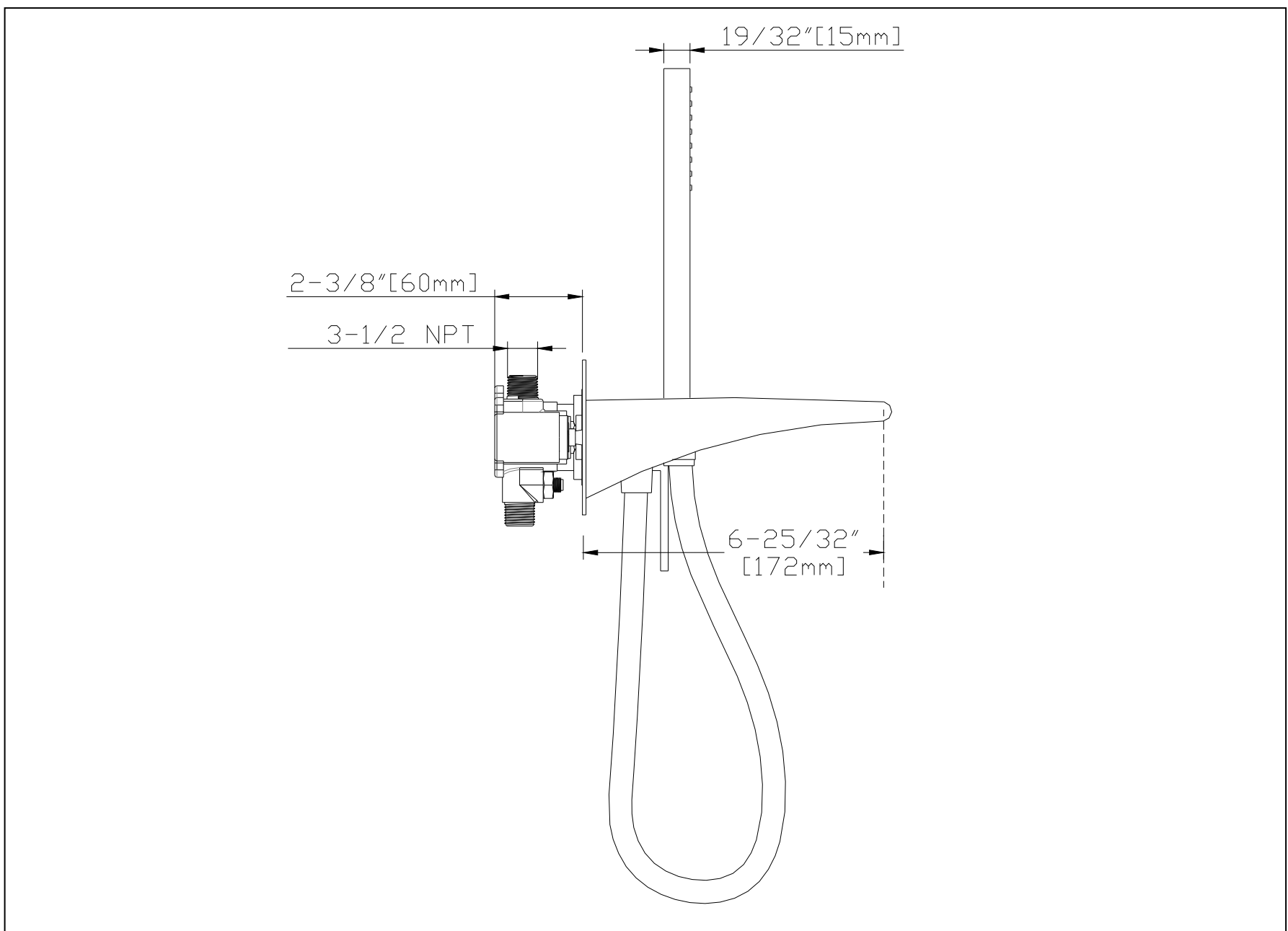


\* Flow rates shown are for mixed hot and cold

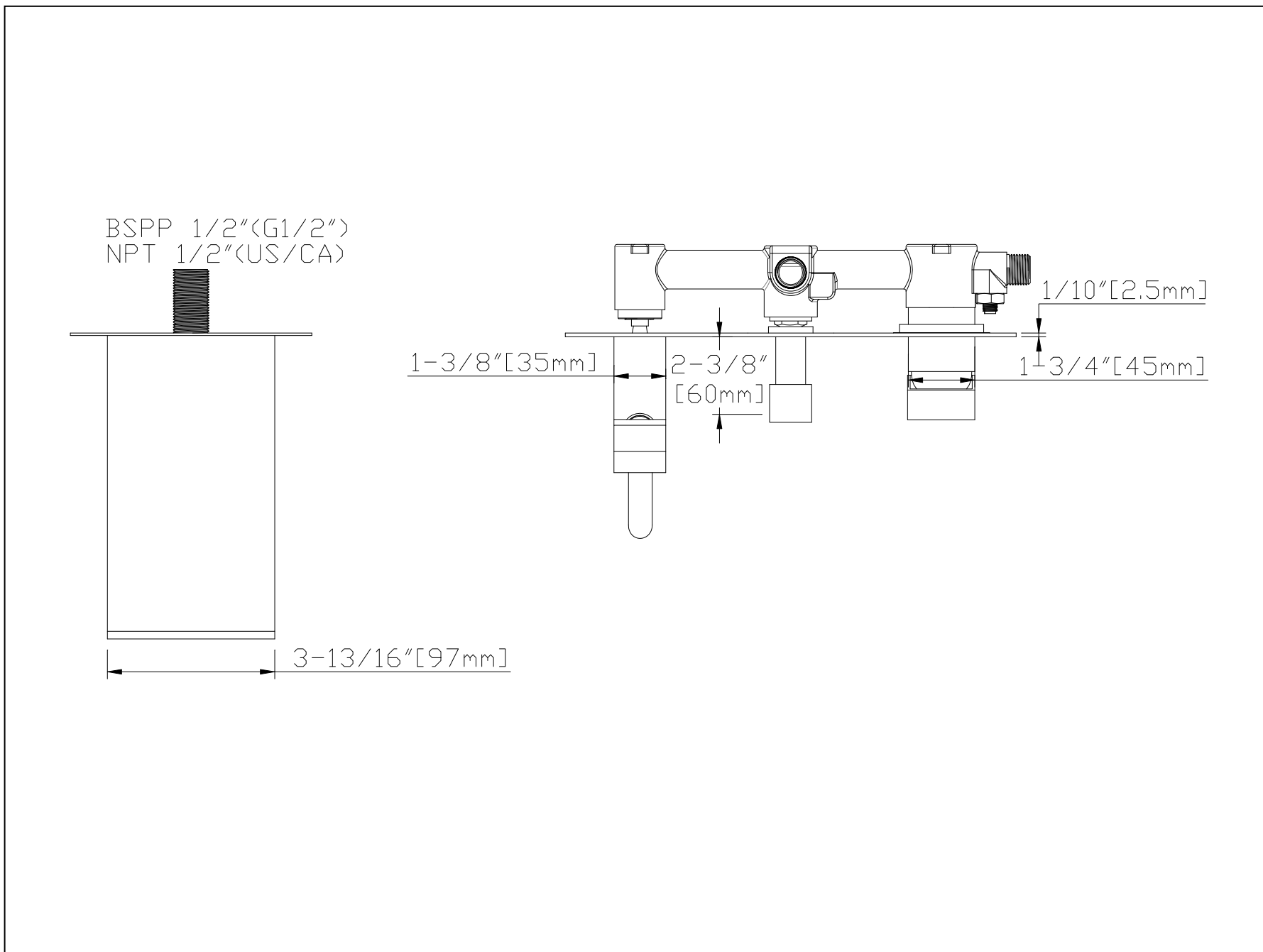
# DEMENSION



**FRONT VIEW OF FAUCET**



**LEFT VIEW OF FAUCET**



TOP VIEW OF FAUCET

## INSTALLATION STEPS

### 1. BEFORE PROCEEDING



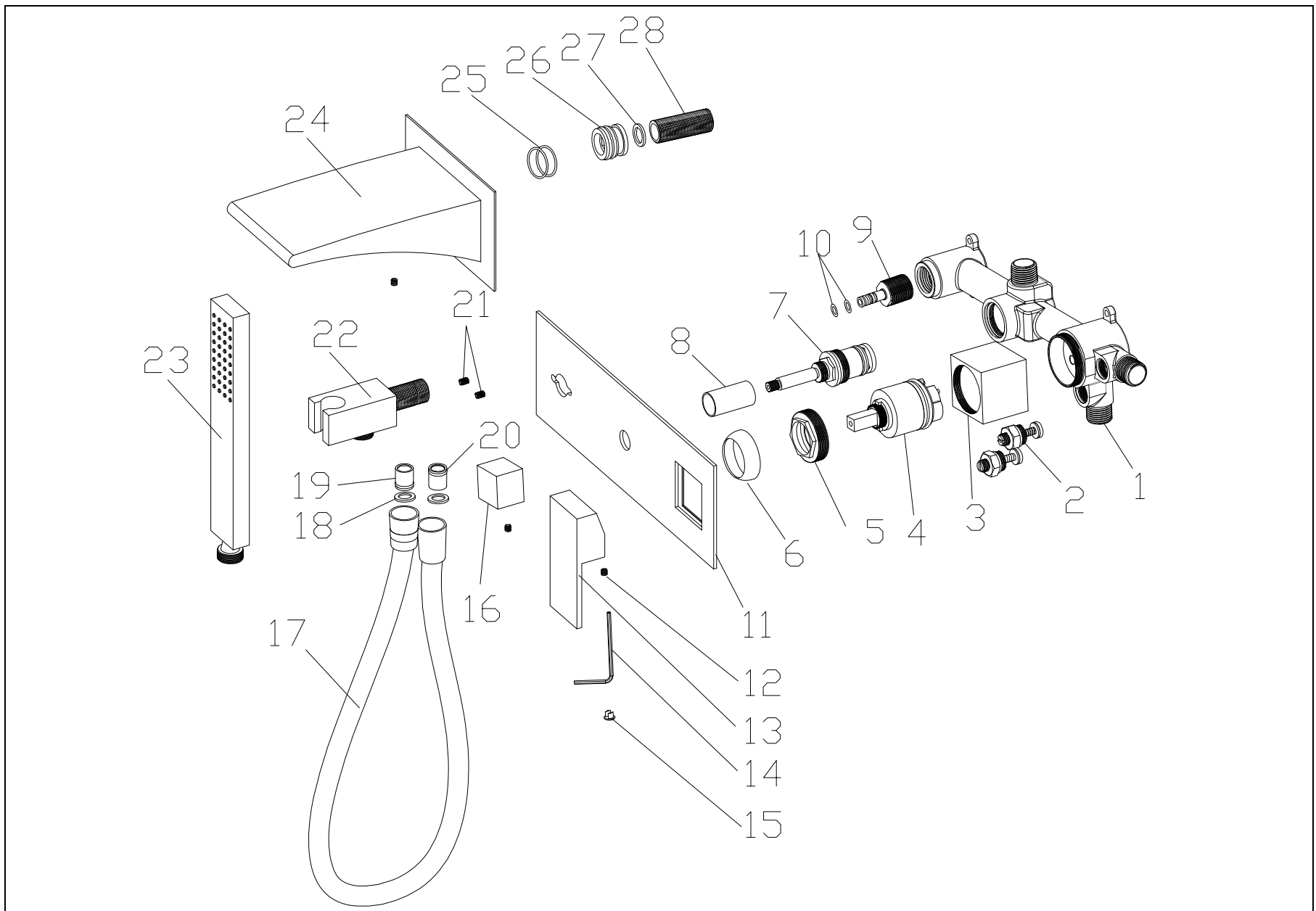
**WARNING:** Read all the instructions completely before proceeding. SUMERAIN recommends calling a professional if you are uncertain about installing this product!, this product should be installed in accordance with all local and state plumbing and building codes.

### 2. SHUT OFF WATER SUPPLY

Locate water supply inlets and shut off the water supply valves. These are usually found near the water meter. If you are replacing an existing unit, remove the old unit and clean the mounting surface thoroughly.

### 3. CHECKING THE CONTENTS OF THE BOX

Upon opening the box, check to ensure that all the following items are included.



NO.	ITEM NAME	MATERIAL	QTY	PART NO.	NO.	ITEM NAME	MATERIAL	QTY	PART NO.
1	Rough-in valve	HPB59-1	1	PVB21210PB	15	Screw cover	ABS	1	PSA00002XX
2	Check valve Set	ASSEMBLE	2	PAE00025XX	16	Diverter Knob	Zn Alloy No.3	1	PHD32180XX
3	Cartridge Sleeve	HPB59-1	1	PSL32260XX	17	Shower hose	ASSEMBLE	1	PFH00010XX
4	Pressure balance cartridge	ASSEMBLE	1	PCT40010XX	18	Rubber washer	NBR	2	PRW19020XX
5	Bonnet	HPB59-1	1	PSC42125XX	19	Flow controller	ASSEMBLE	1	PAE00021XX
6	Flange	SUS304	1	PFC42125XX	20	Flow controller	ASSEMBLE	1	PAE00020XX
7	Diverter cartridge	ASSEMBLE	1	PCT00001XX	21	Set screw	SUS304	1	PSC05080XX
8	Diverter cartridge sleeve	HPB59-1	1	PSL32181XX	22	Hand shower holder with elbow	HPB59-1	1	PHH21210XX
9	Supply nipple	HPB59-1	1	PCN32380PB	23	Hand shower	ASSEMBLE	1	PHS00002XX
10	O-Ring	NBR	2	POR11020XX	24	Waterfall tub Spout	SUS304	1	PSP21212XX
11	Escutcheon	SUS304	1	PCP21210XX	25	O-Ring	NBR	2	POR25020XX
12	Set screw	SUS304	1	PSC05050XX	26	Spout adapter	HPB59-1	1	PCN13640PB
13	Handle(lever)	Zn Alloy No.3	1	PH32180XX	27	Rubber washer	NBR	1	PRW18020XX
14	Allen wrench(Φ2.5mm)	Fe45#	1	PSA00003XX	28	Spout shank	HPB59-1	1	PNT12480PB

If any of these items are missing, please contact SUMERAIN consumer service by email to: [supports@sumerain.com](mailto:supports@sumerain.com)

## **4. PLANNING AND INSTALLATION INSTRUCTIONS**



**Attentions:** The faucet has to be installed, rinsed and checked in compliance with the applicable regulations in order to guarantee proper shower function!

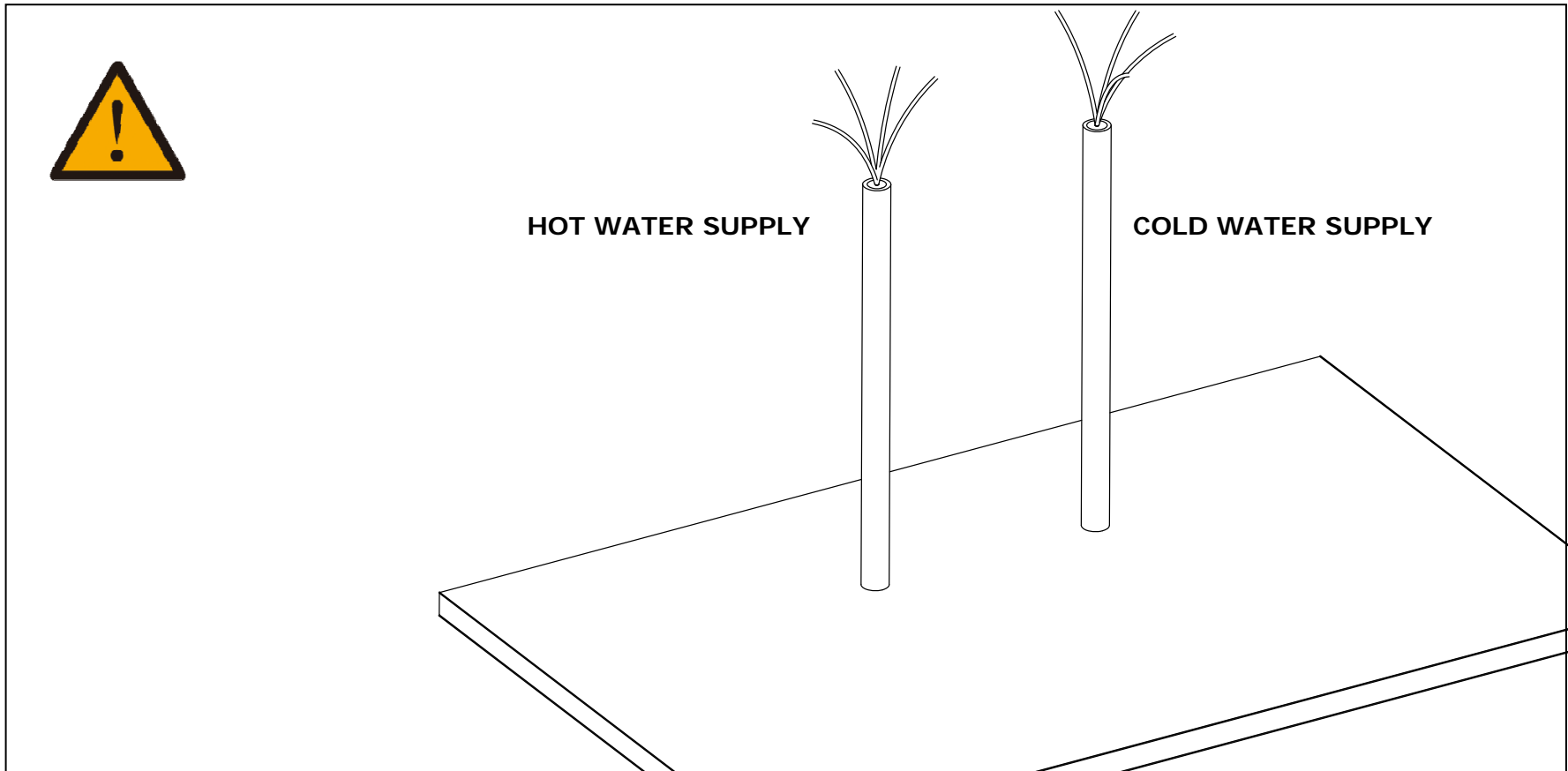
Operating pressure at the control valve:

Max. 1Mpa. Recommended operating pressure: 3 bar pressure.

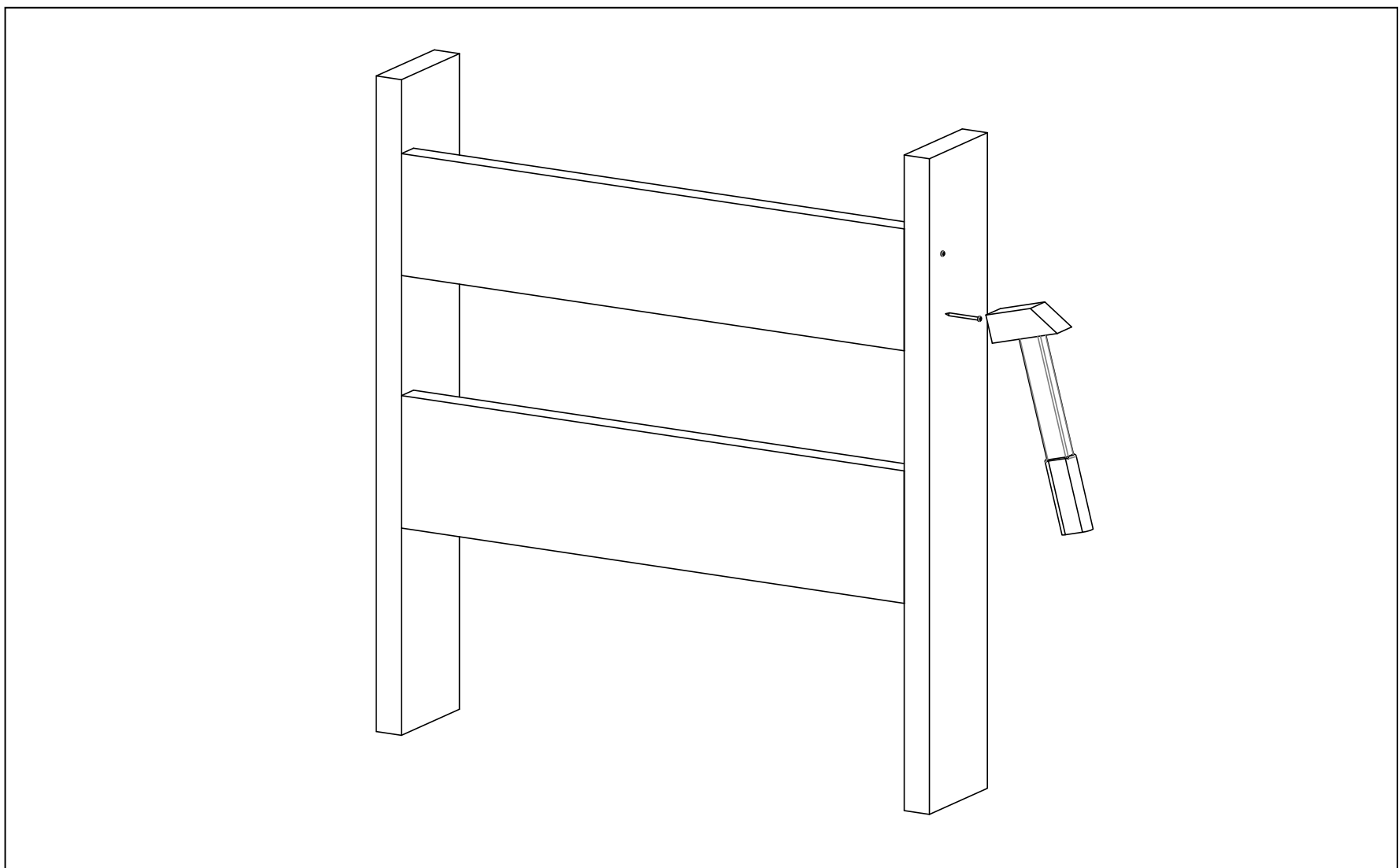
Hot water temperature: Max 60 degree centigrade (140 Fahrenheit).

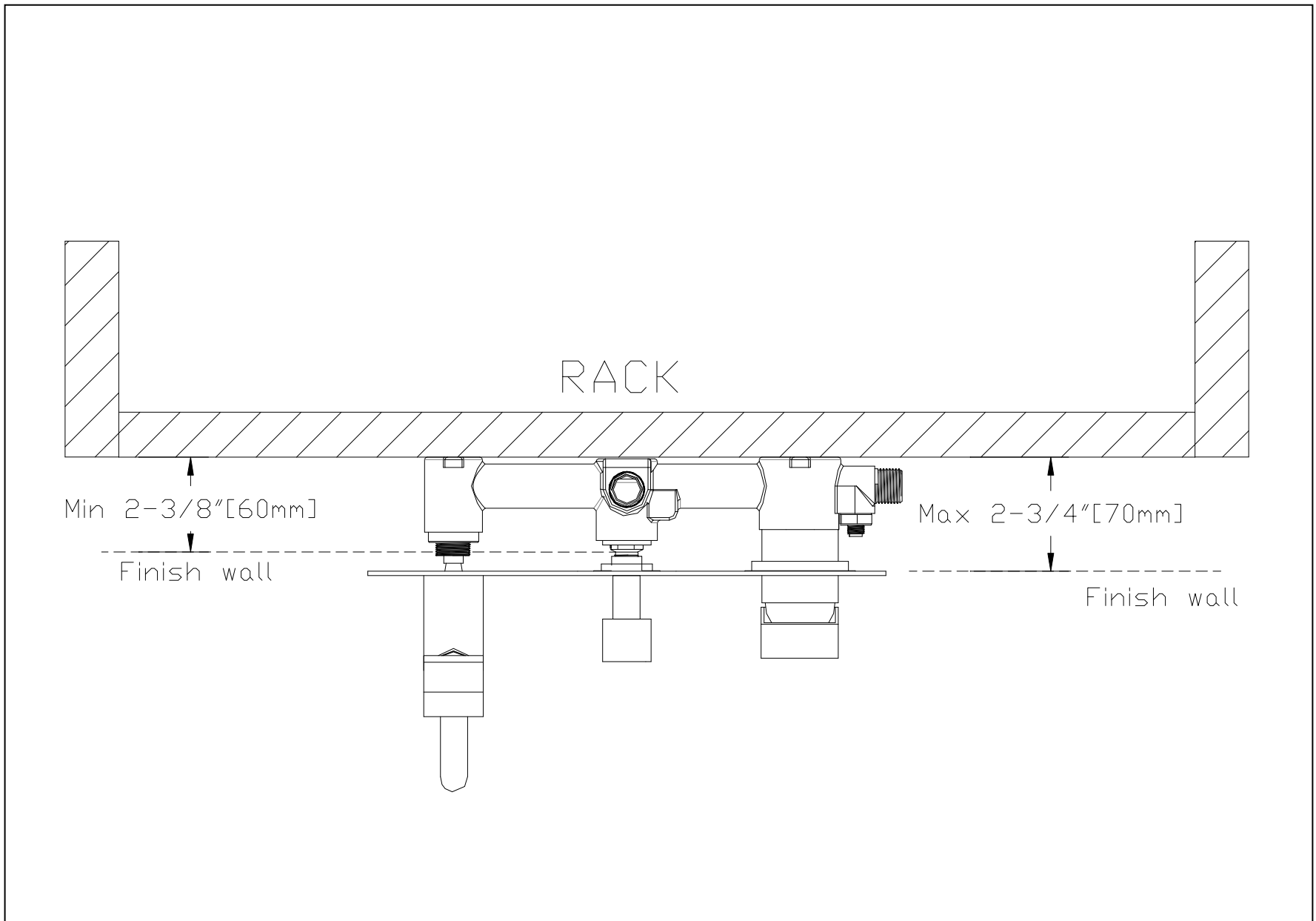
## **5. INSTALLATION**

**5.1** Turn on your shut-off valve for cleaning the hot and cold water supply pipe before connect to the faucet, allow the water flush 3~5 minutes to flush out dirt and debris. Shut off the water supply again after finish.

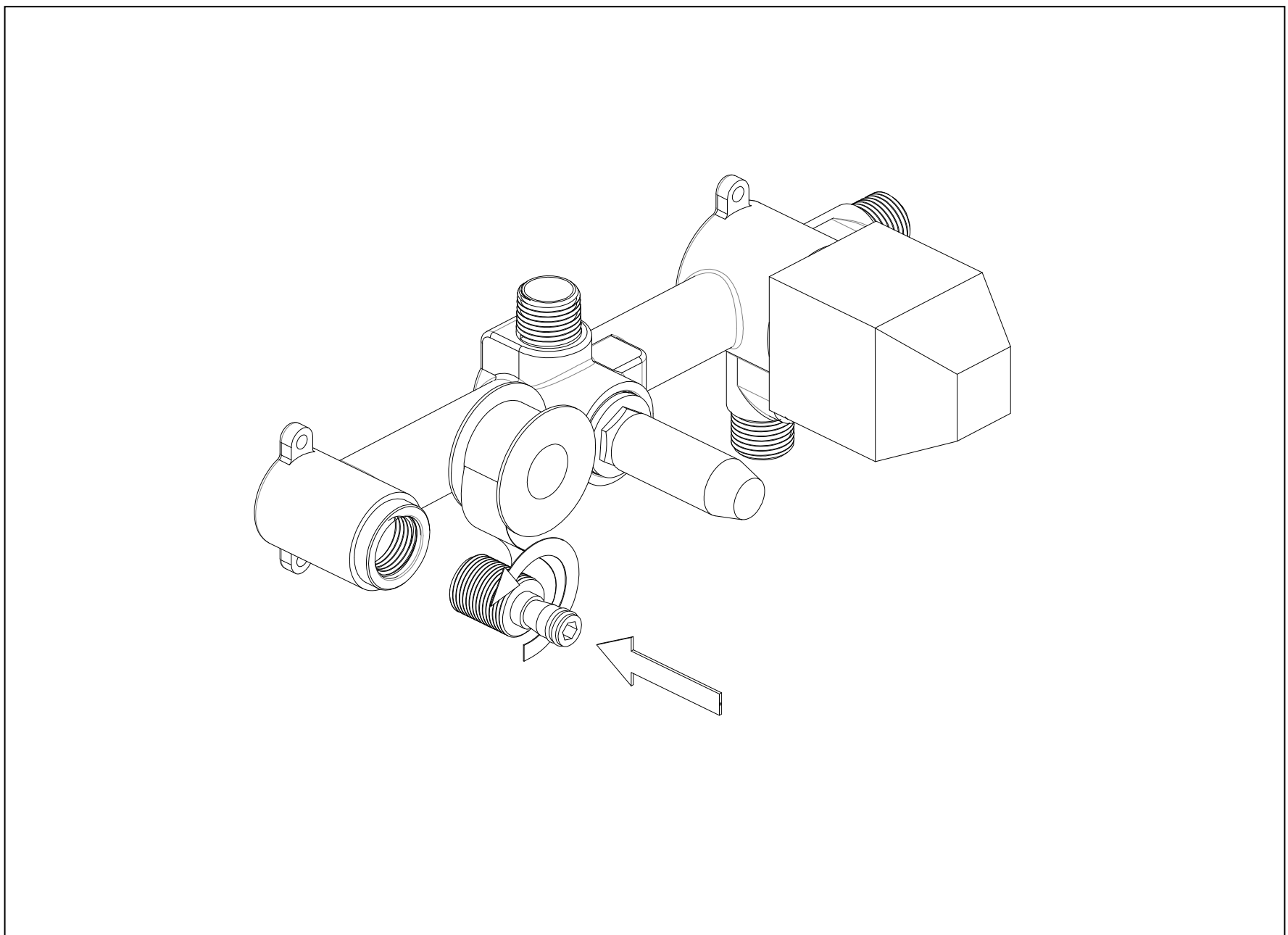


**5.2** Make a mounting rack (normally use woods as materials) for preparing install the rough-in valve assembly .the mounting board's face should be Min 54mm (2-1/8") and Max 65mm (2-9/16") behind the finish wall surface

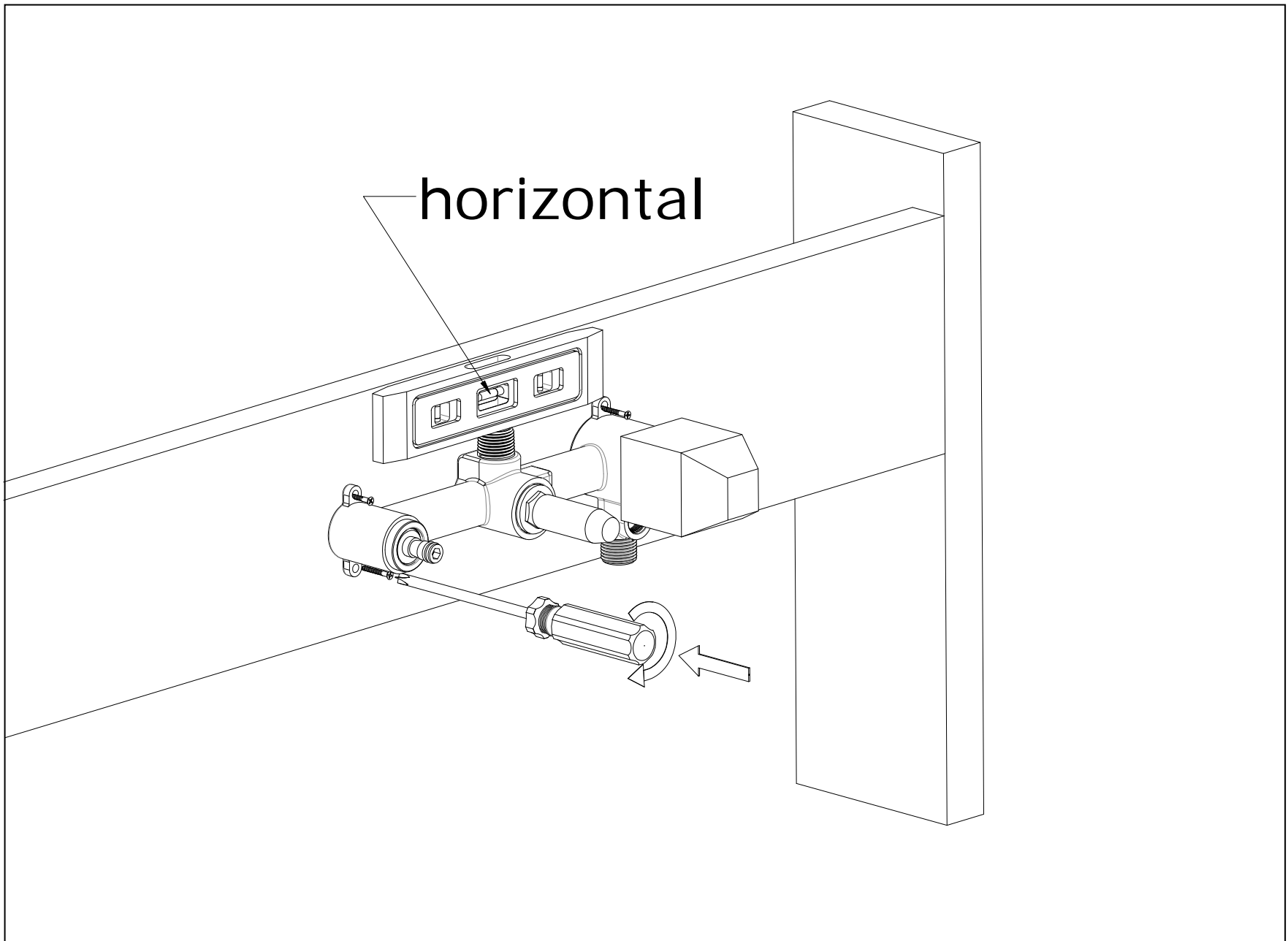




**5.3** Apply Teflon tape on the thread of nipple and then connect to mixer valve outlet.



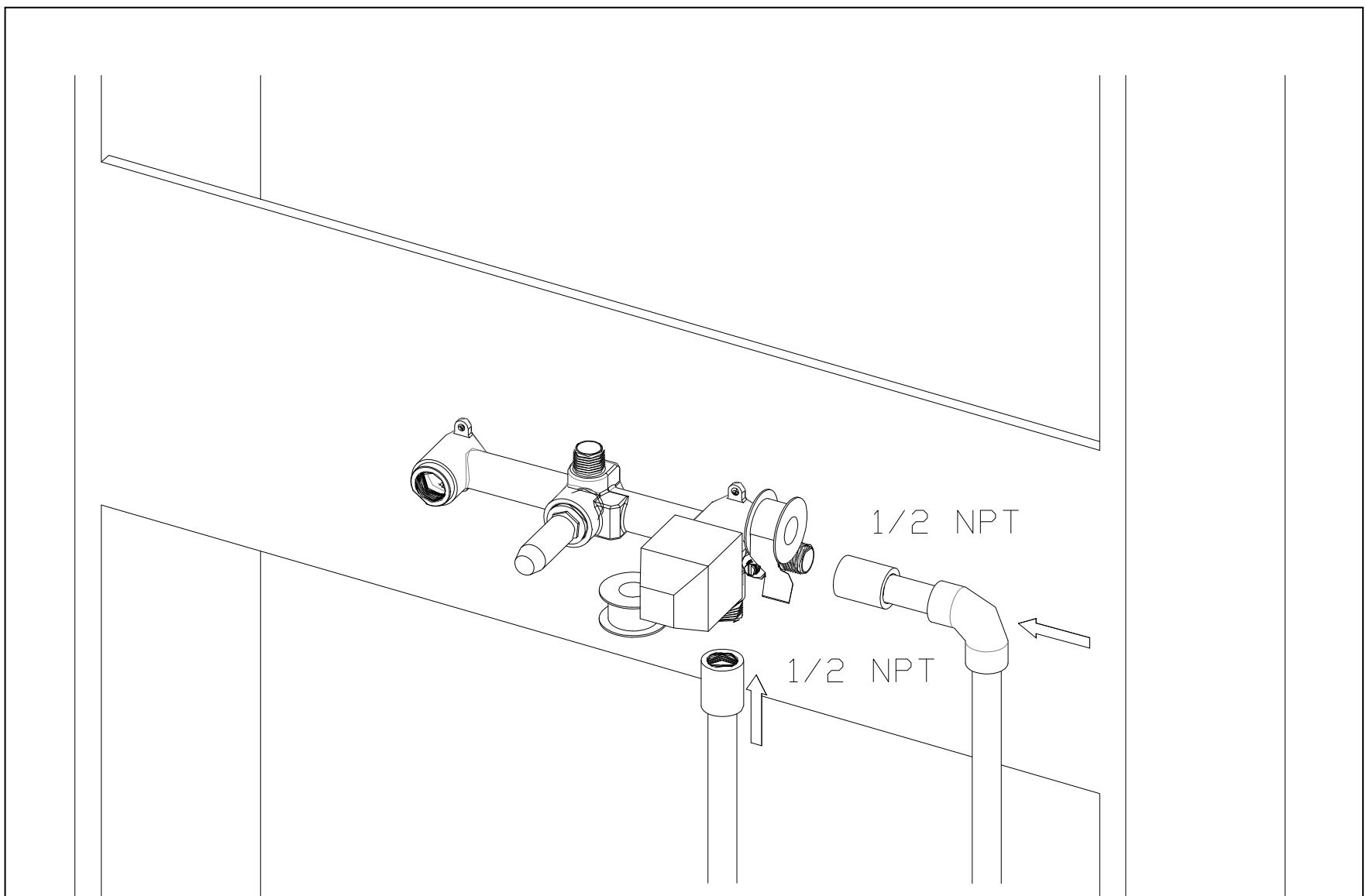
**5.4** Secure the rough-in valve assembly to the mounting rack with screws.



**5.5** Apply Teflon tape on the thread of rough-in valve's cold and hot water supply inlets and then connect to water supply system.

North America Connector standard: NPT 1/2-14

Europe and Others Connector standard: BSPP 1/2 [ G1/2 ]



Turn on hot and cold water supply and check all connection for leaks



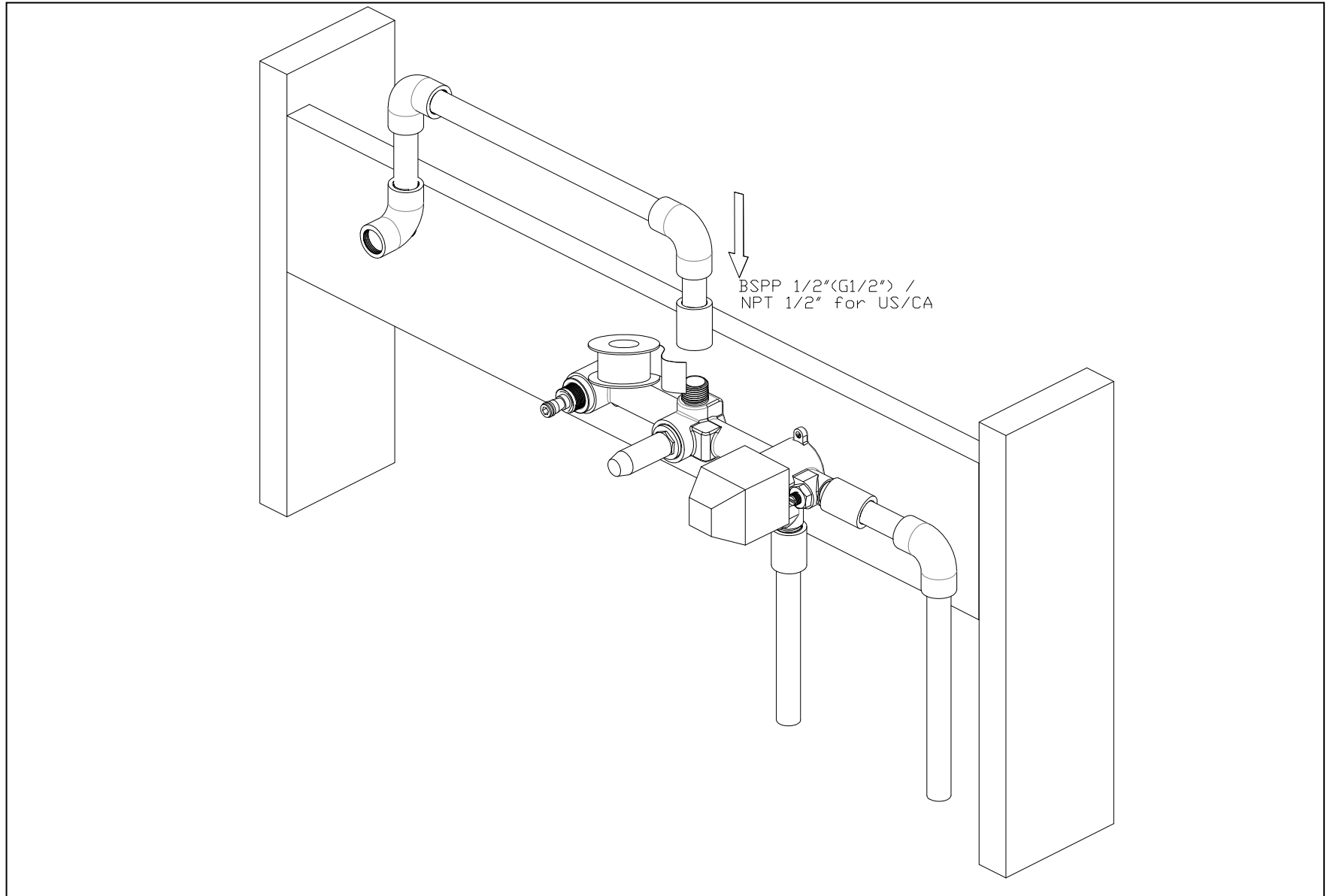
Please shut off your hot and cold water supply again if no leaking.

**5.6** Install the feed pipe for spout with elbow.

Rough-in Valve Connecting thread for mixer water outlet:

North America Connector standard: NPT 1/2-14

Europe and Others Connector standard: G1/2

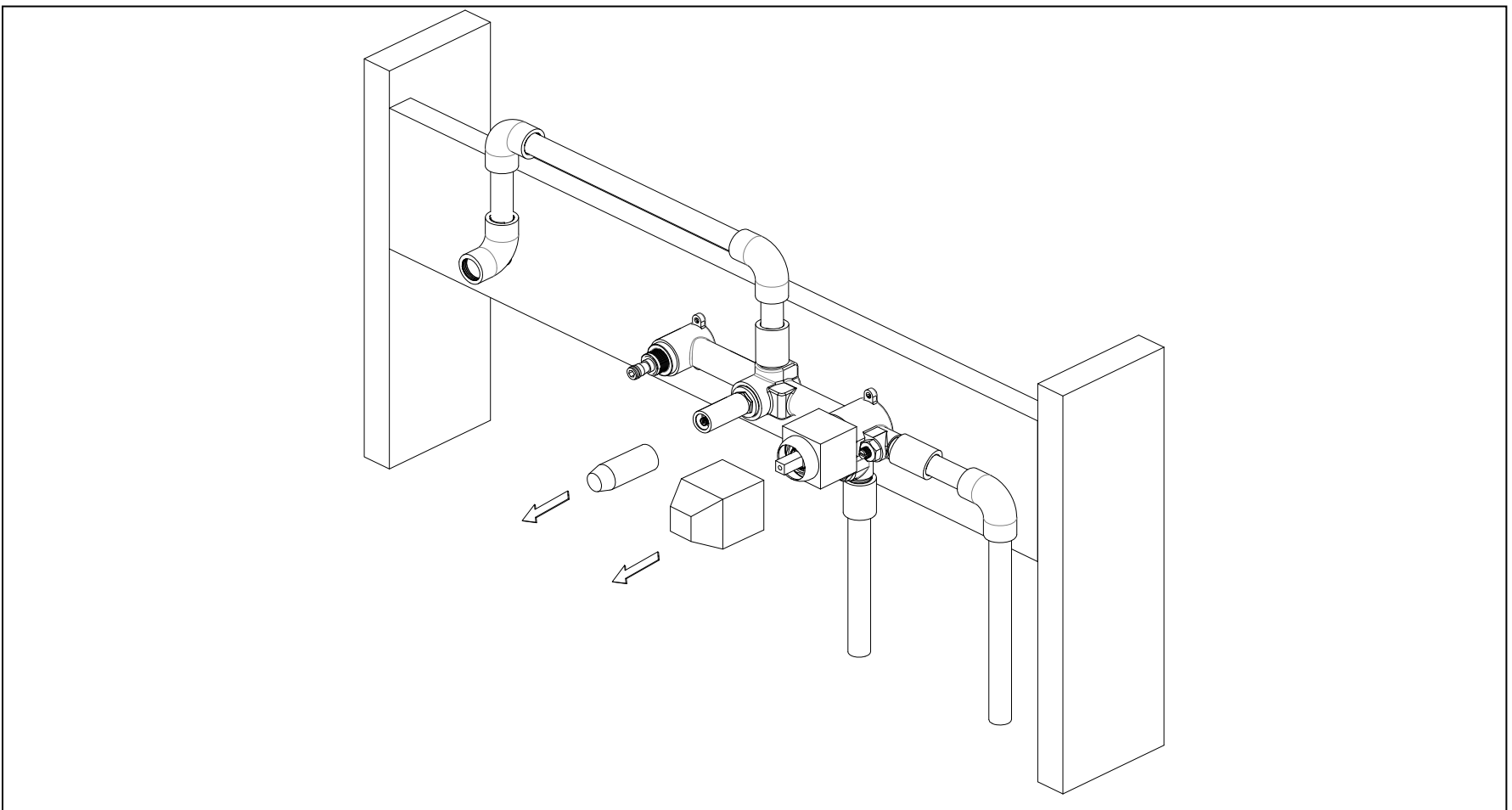


## **6. VALVE TRIM INSTALLATION**

**6.1** Remove the plaster guard cover and check all connection for leaks. Please recover the plaster guard cover after leaking test.



Please shut off your hot and cold water supply again if no leaking.



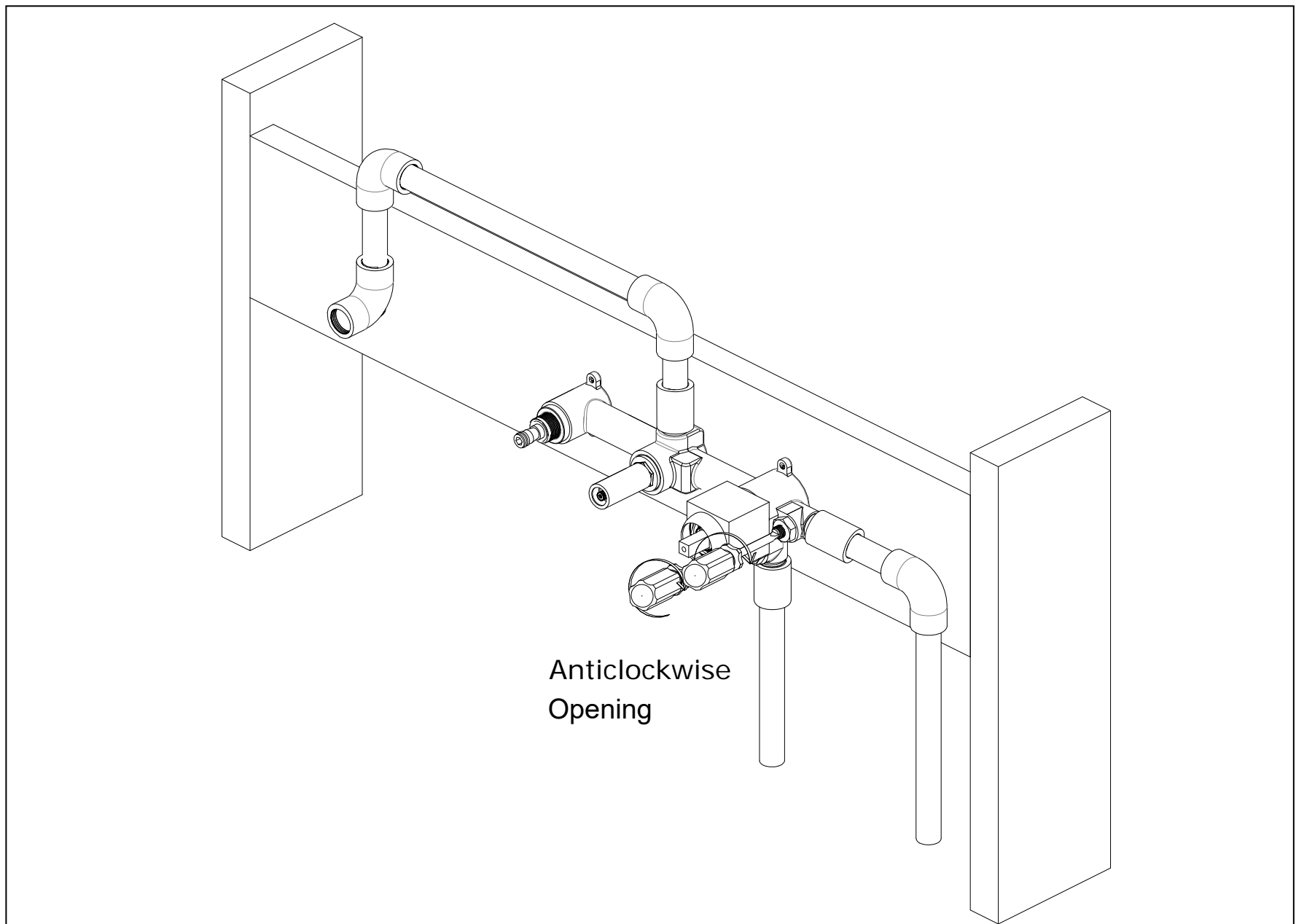
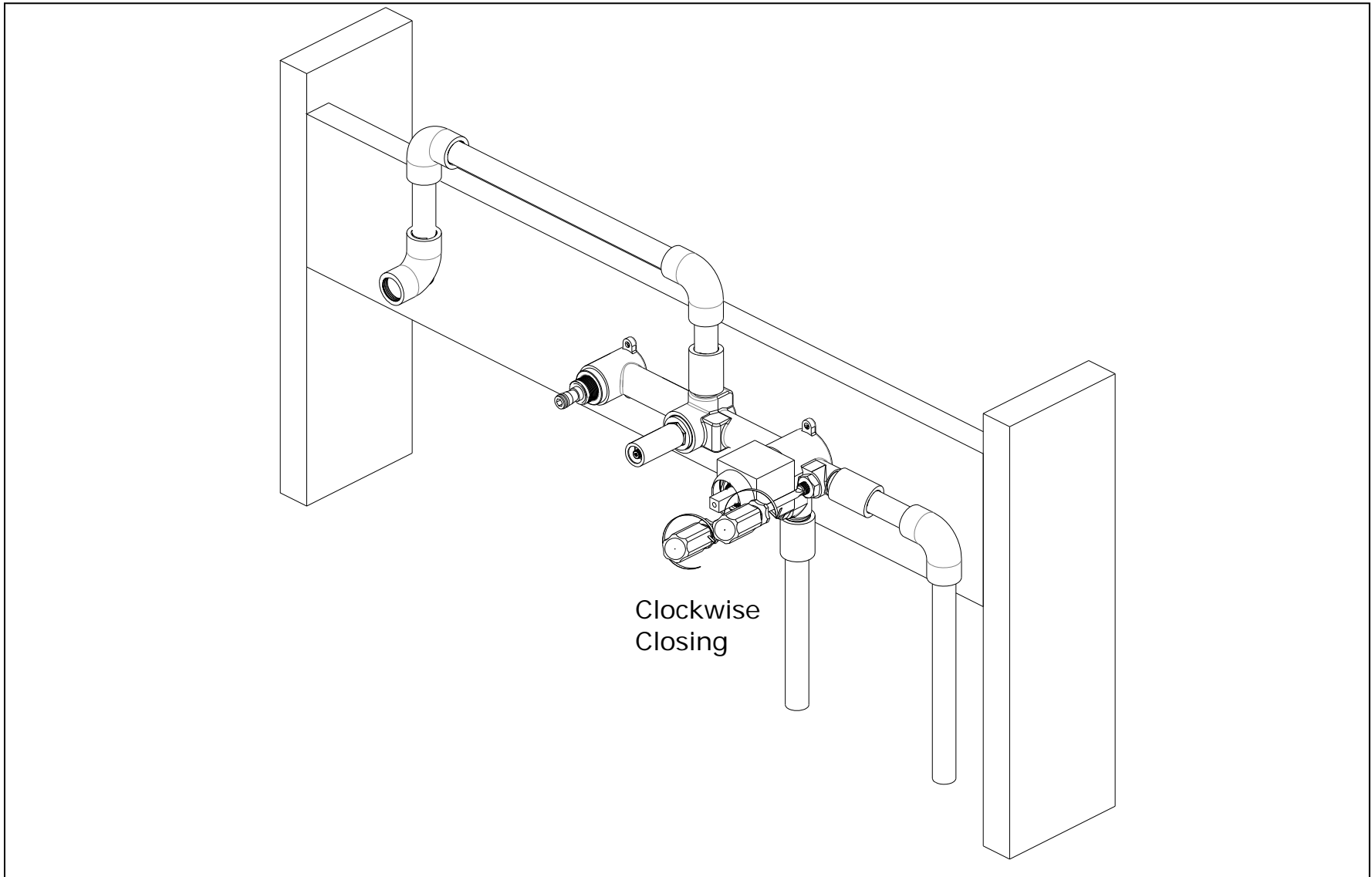
**6.2 Pressure testing & flushing the installation.**

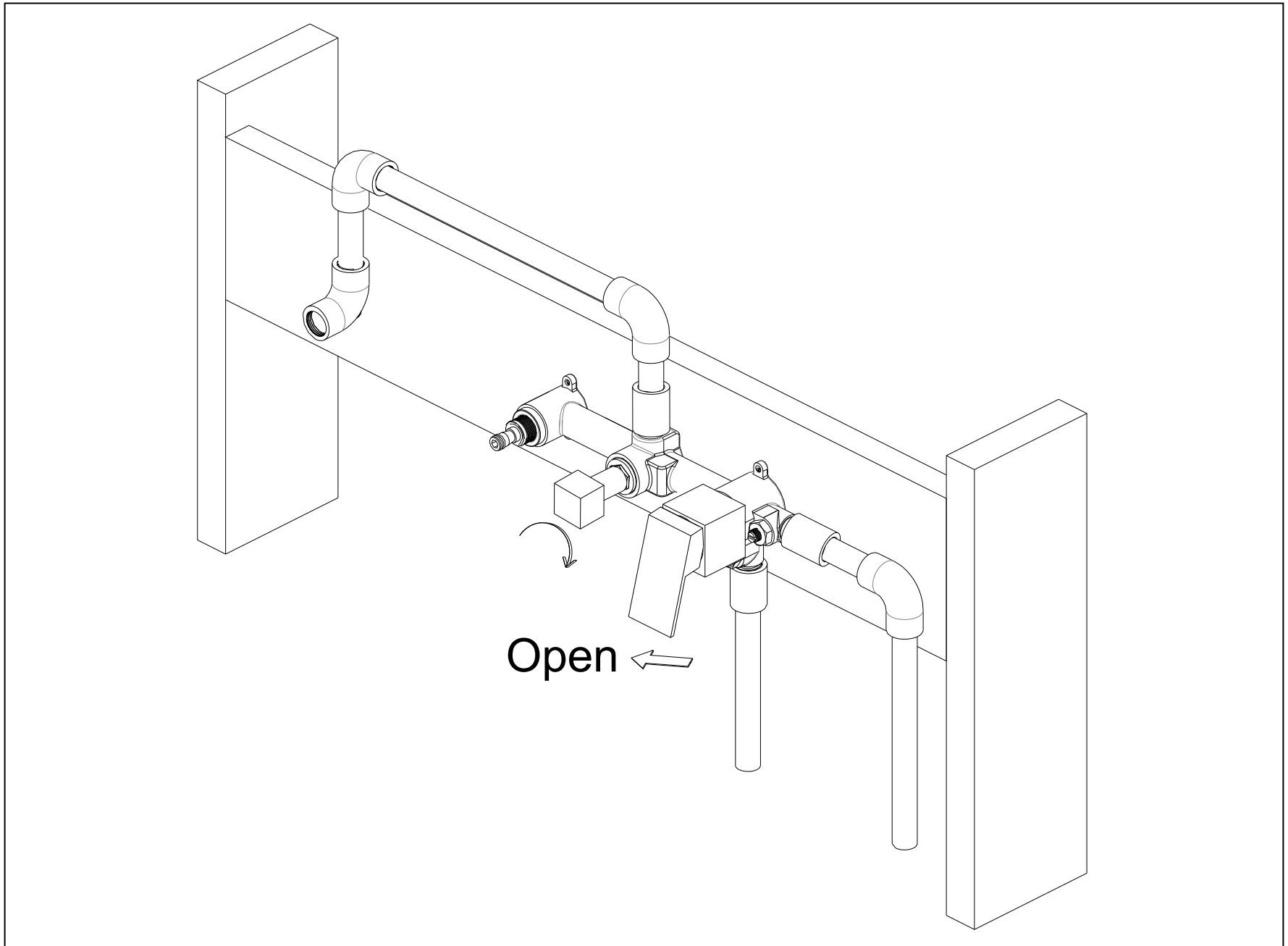
Before testing, remove plaster guard cover. Plug outlets with proper fittings. Check for leaks. After testing, remove shower's plug and flush system again. After flushing reinstall the cover. Set the pressure reducing valve to full open.

Note: With a flat head screwdriver, adjust stem clockwise to close and anticlockwise to open.

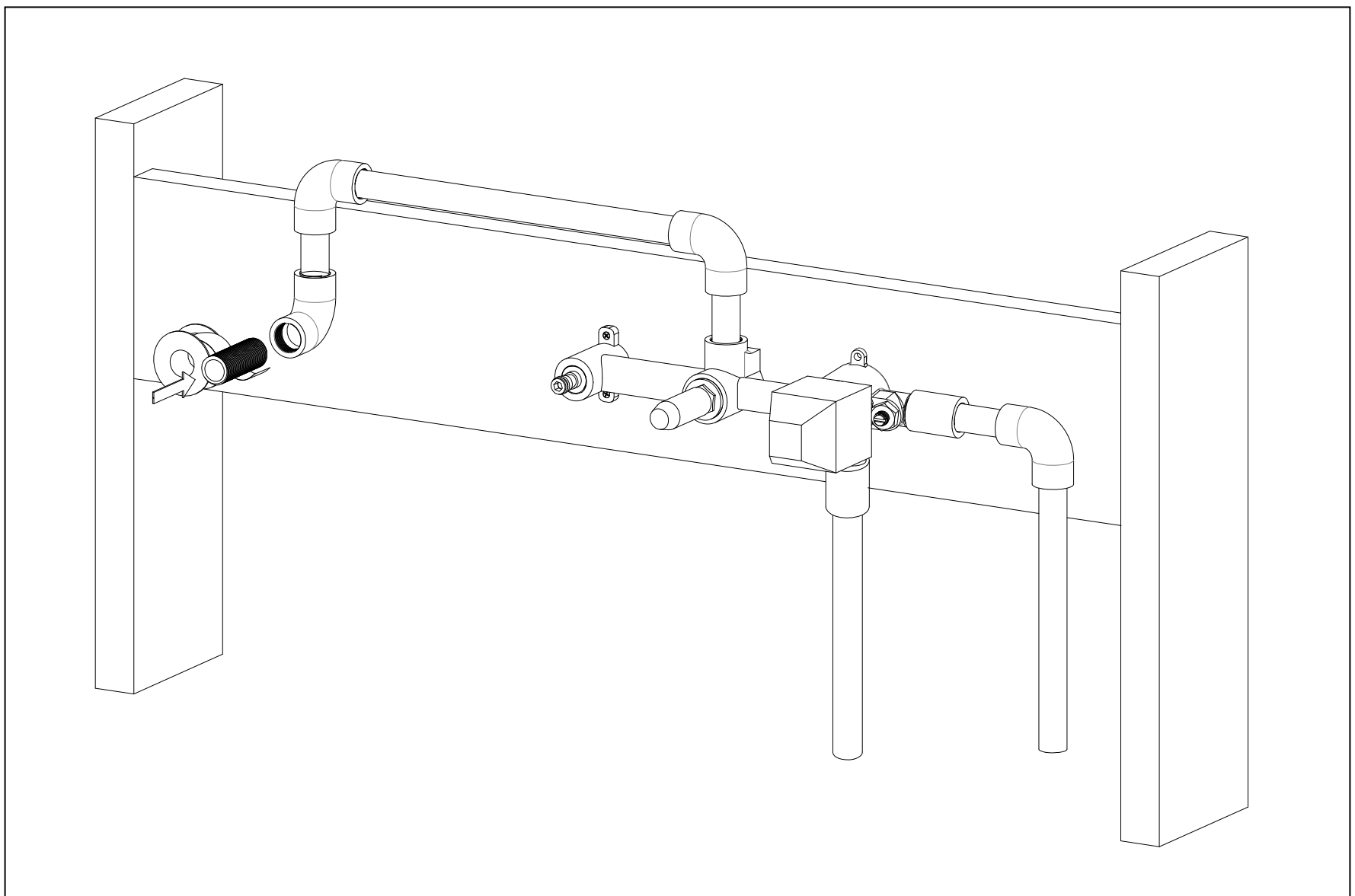


Please shut off your hot and cold water supply again after test.

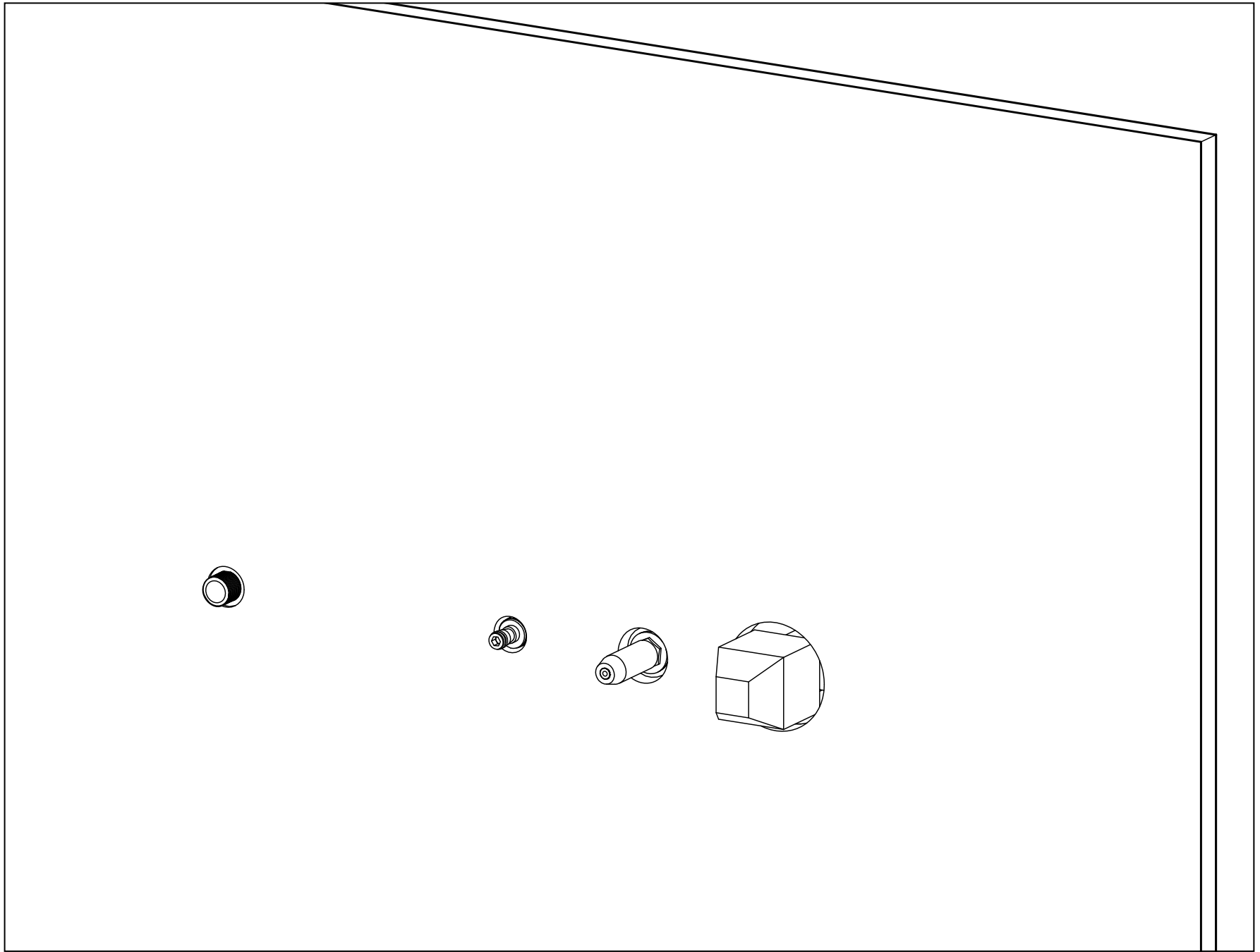




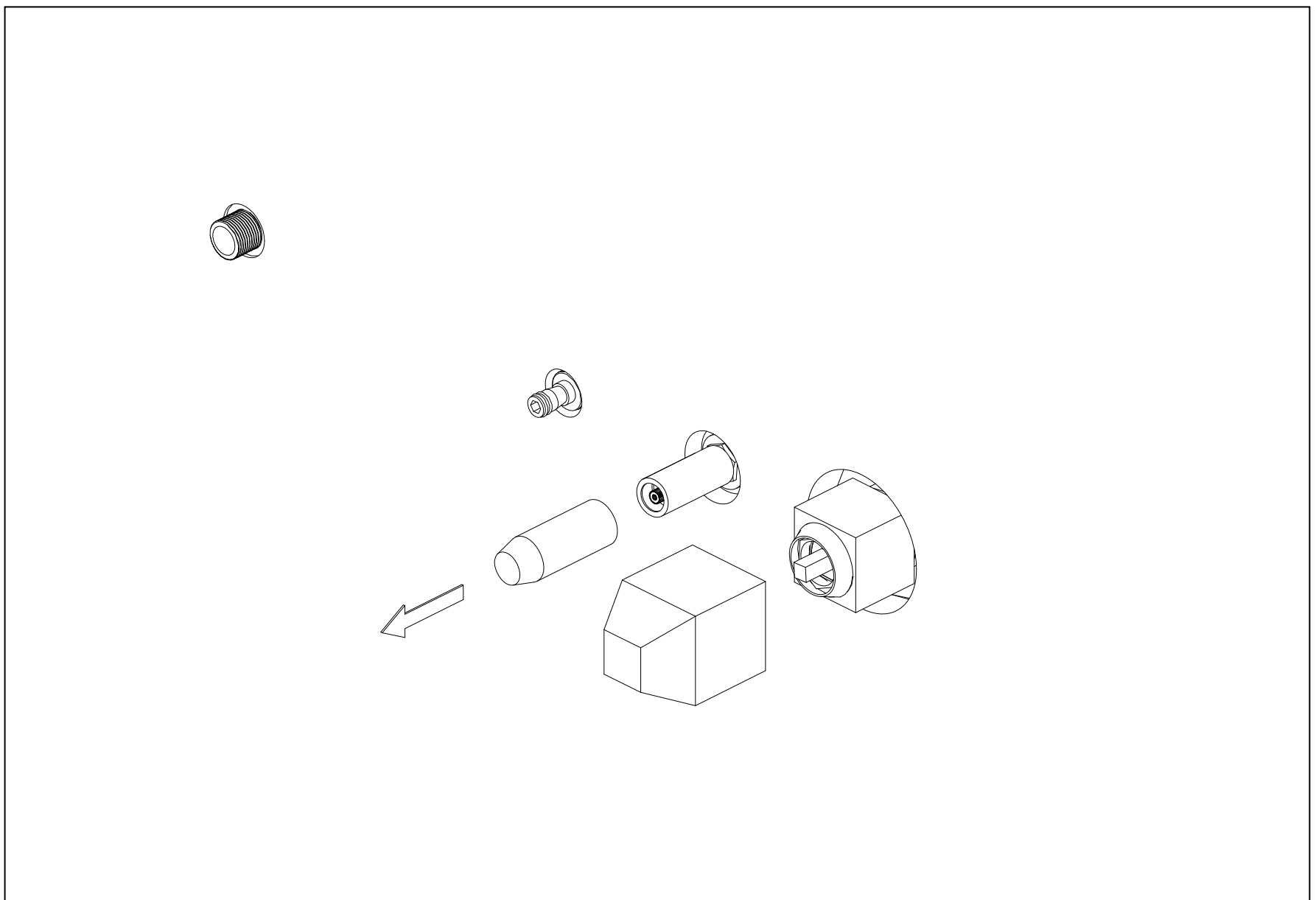
6.3 Apply Teflon tape on the thread of nipple and then connect to elbow.



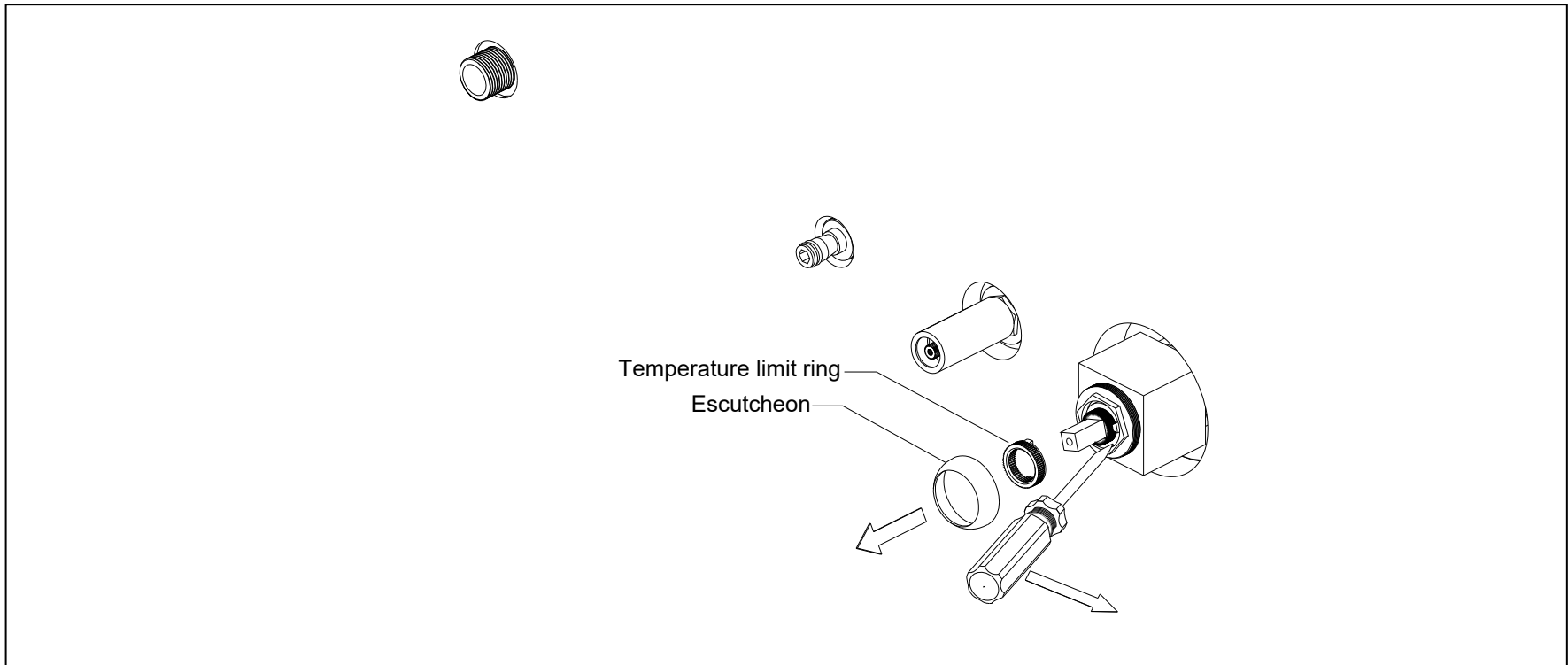
**6.4** Done the finish wall.



**6.5** Remove the plastic guard.



**6.6** Take off the escutcheon and the temperature limit ring from the valve assembly.



**6.7** Turn on and adjust the cartridge to achieve desired shower water's maximum temperature.

Anti-scald protection. It is important that the mixer valve is tested regularly to prevent the risk of scalding and guarantee user safety. This can be carried out as follows: with the mixer blend temperature set at 38°C isolate the cold water supply. The outlet flow rate will reduce to a safe level.

Recommended outlet temperatures

We recommend the following set maximum mixed water outlet temperatures for use in all premises:

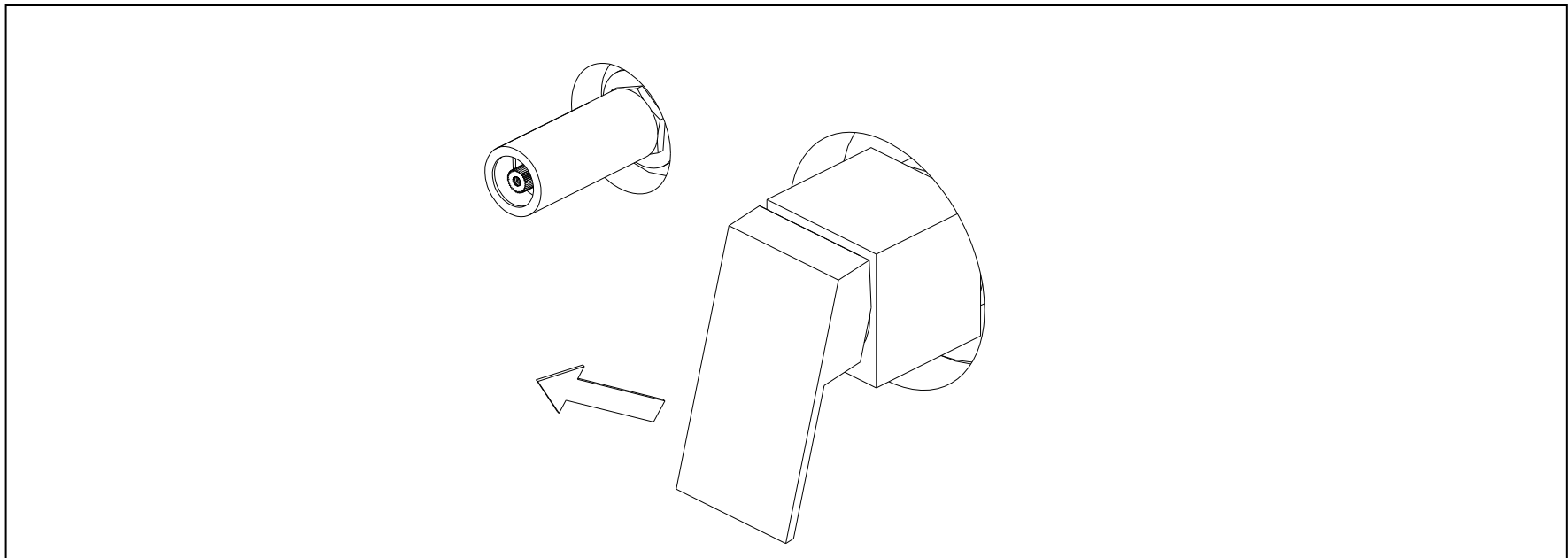
111.2° F [44°C] - for bath fill but see notes below.

105.8° F[41°C] - for showers.

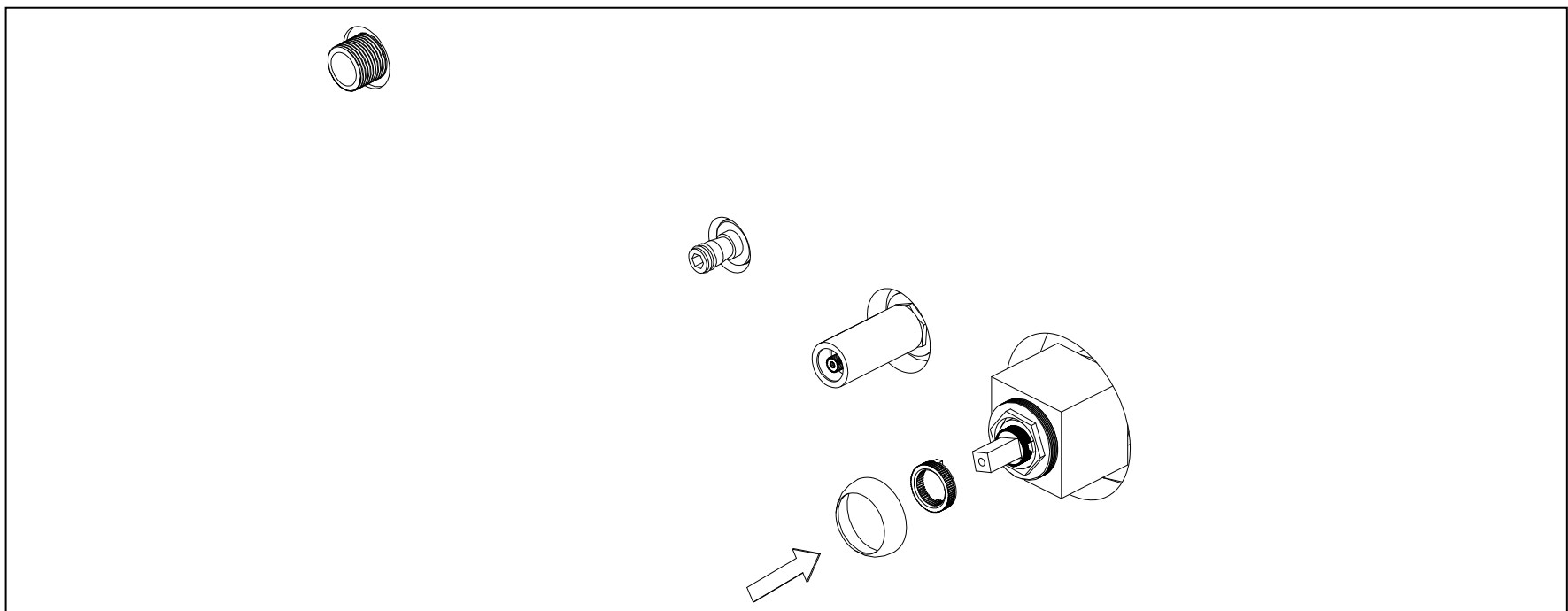
105.8° F[41°C] - for washbasins.

100.4° F[38°C] - for bidets.

The mixed water temperatures must never exceed 114.8° F[46°C] at terminal fitting.



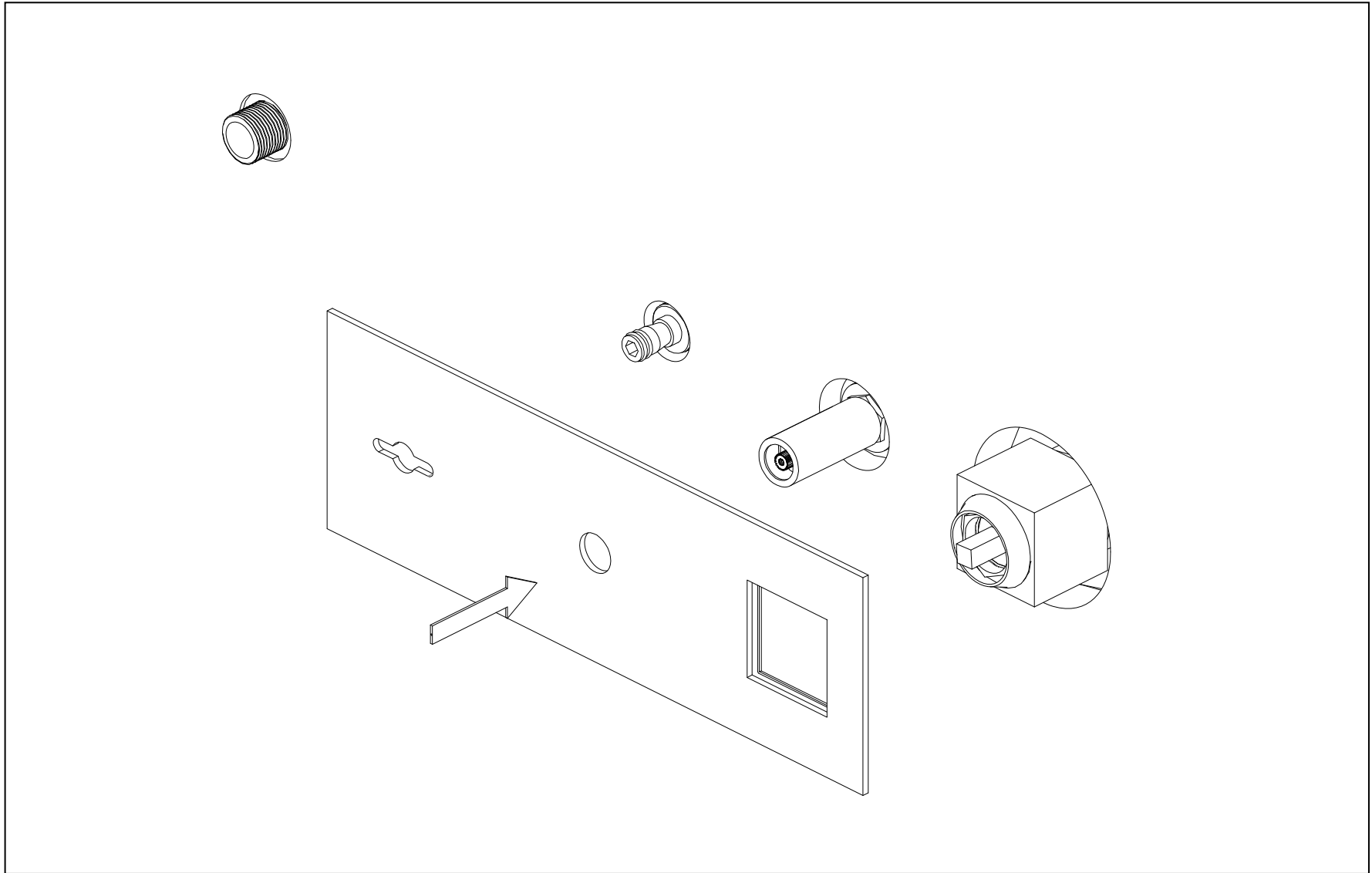
**6.8** Attach the temperature limit ring to cartridge for locking the maximum temperature. Reinstall the escutcheon to the bonnet too



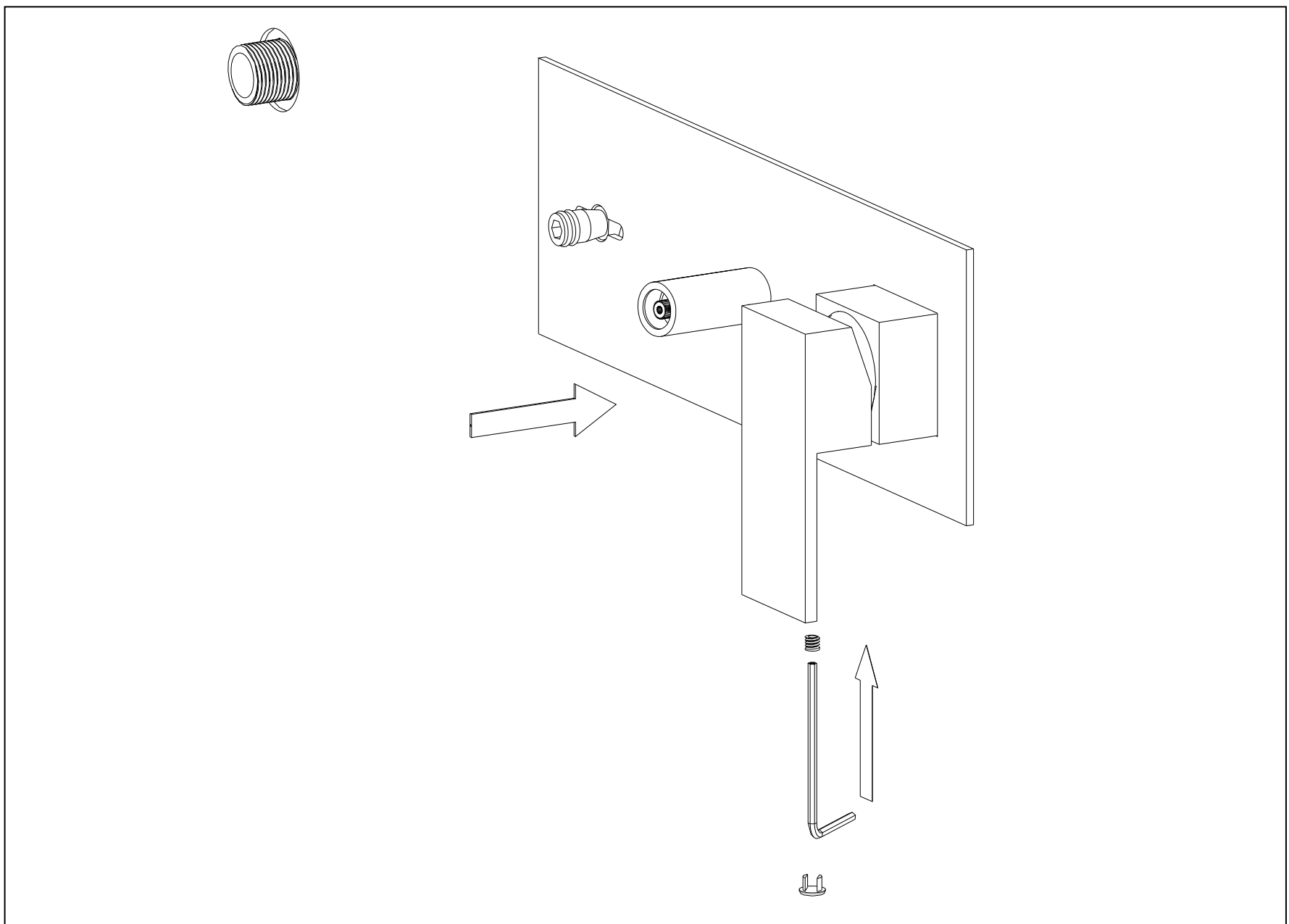
6.9 Attach the escutcheon over the valve body and seal the wall around the plaster shield with waterproof sealant



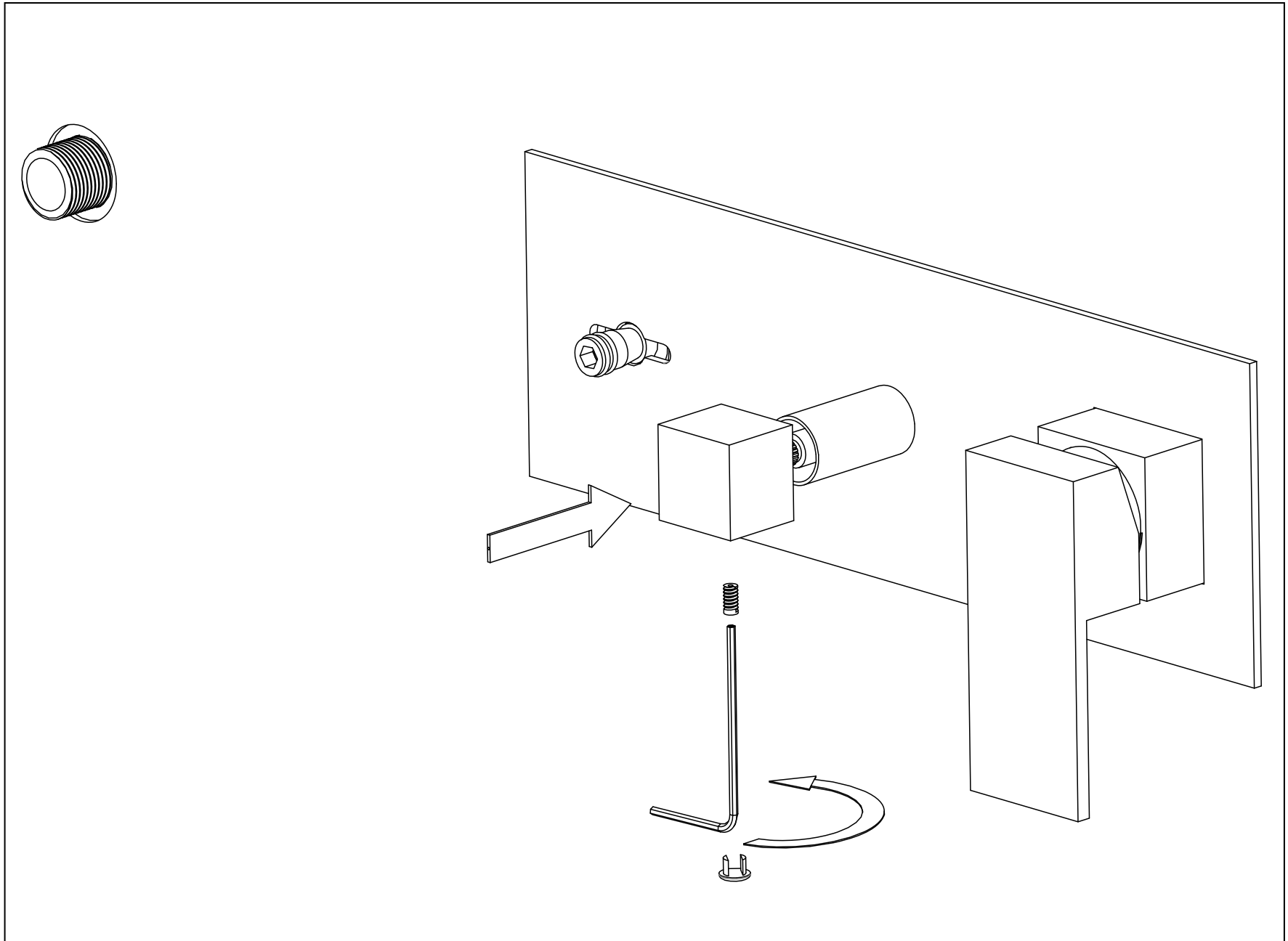
**WARNING:** Failure to seal the wall can lead to possible water damage.



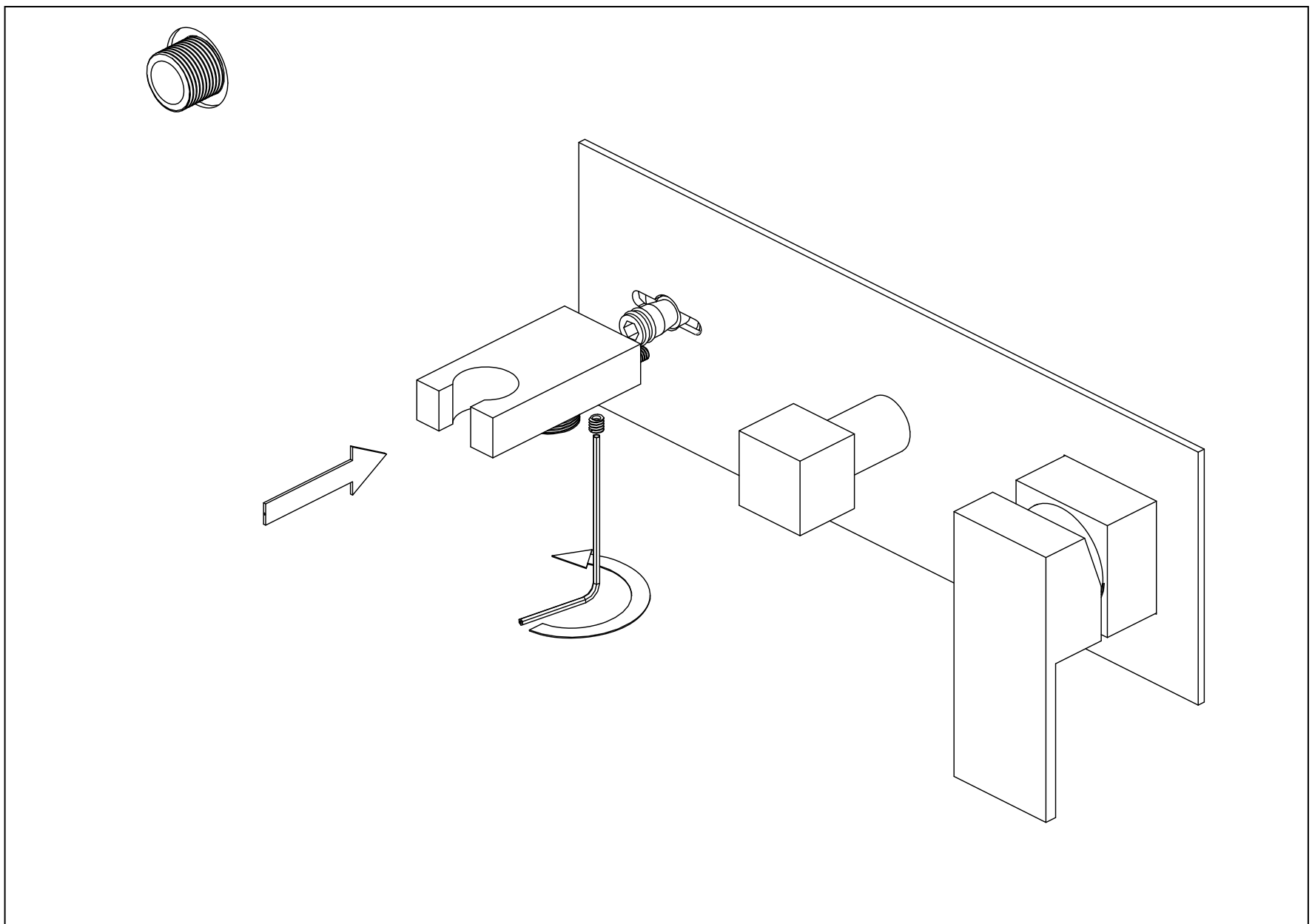
6.10 Place handle onto the valve stem and tighten set screws by using the Allen wrench that is provided. (Please don't over tighten), Then attach the screw cover onto handle.



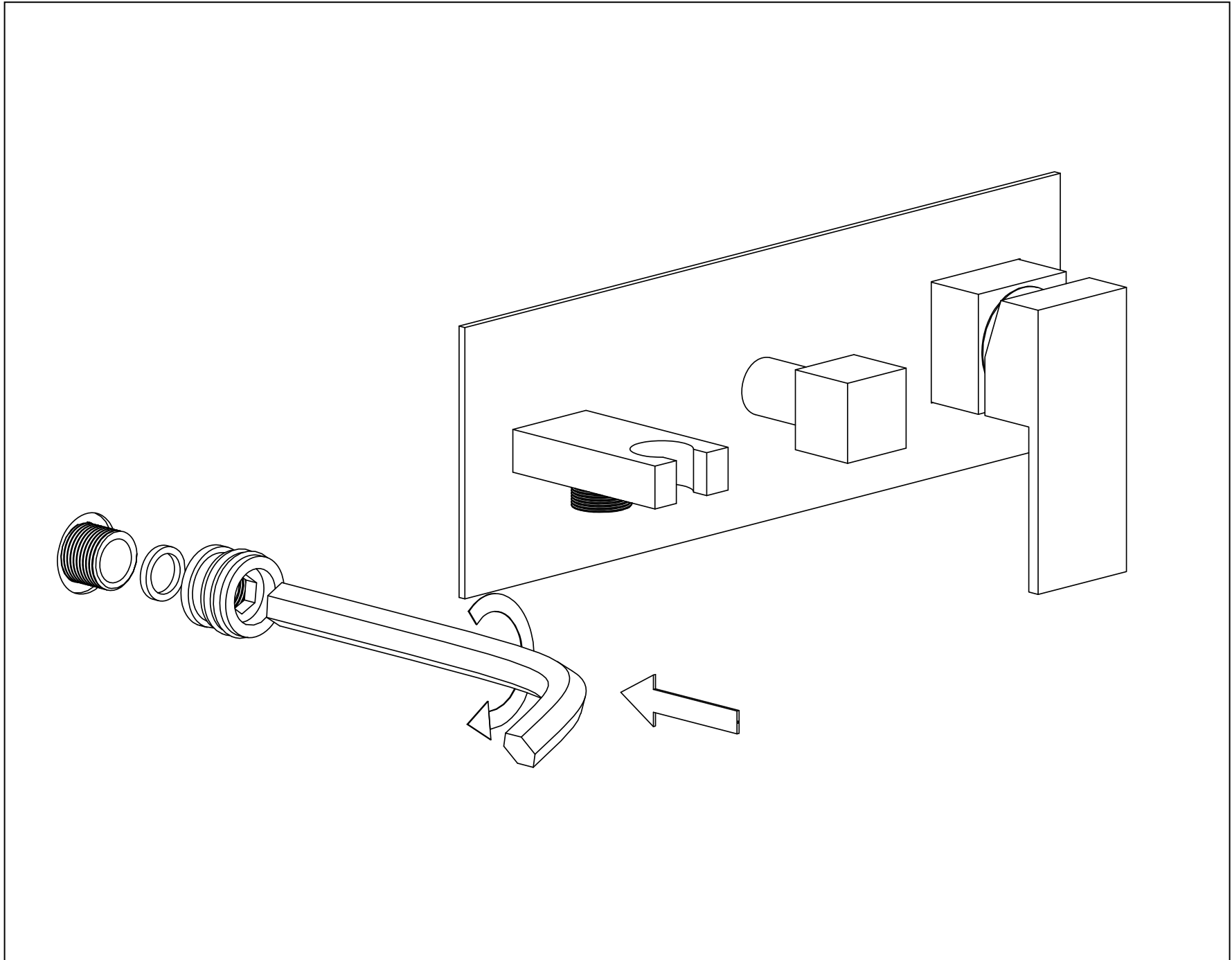
**6.11** Place Knob onto the diverter valve stem and tighten set screws by using the Allen wrench that is provided.



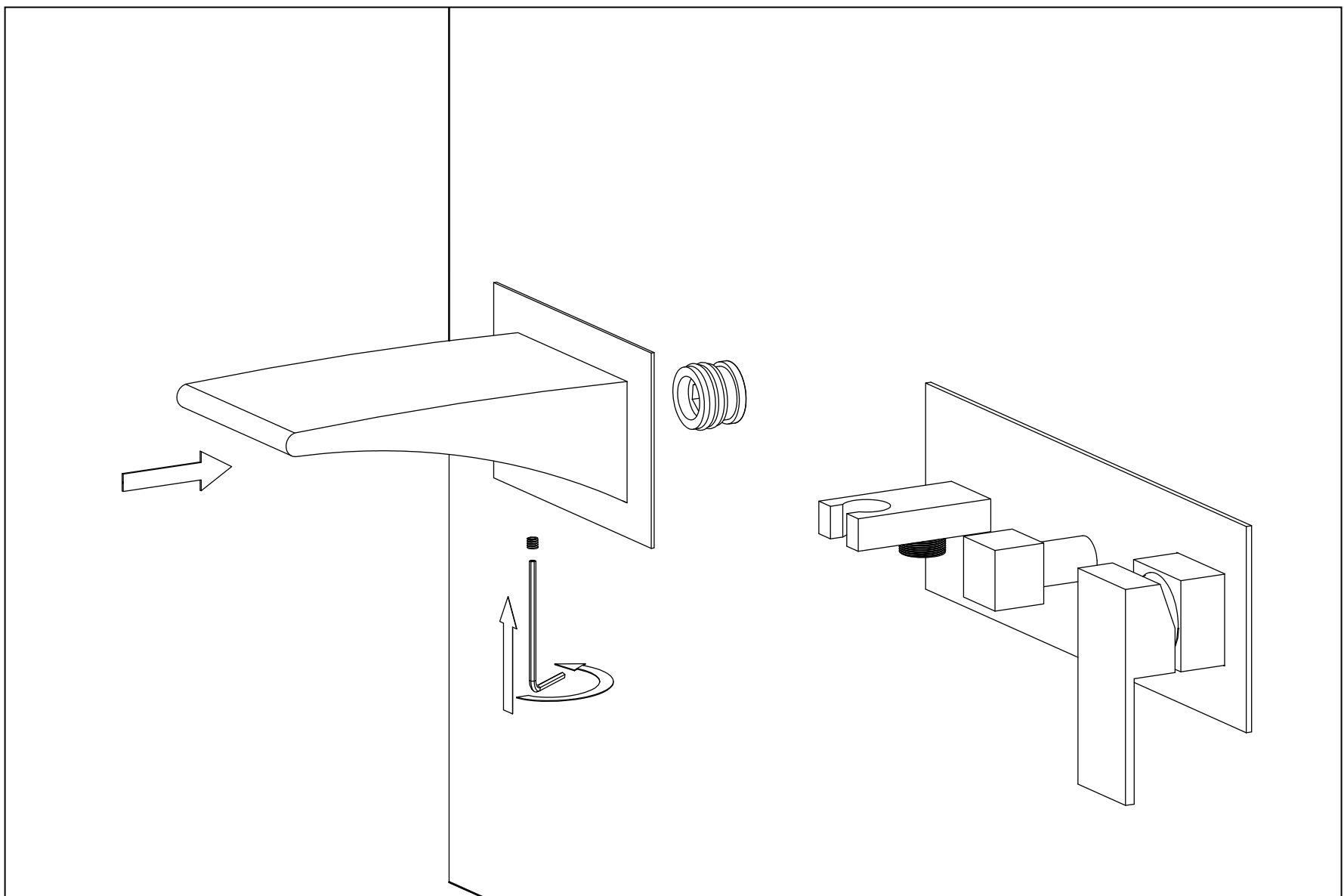
**6.12** Attach shower holder onto the nipple and tighten set screws by the Allen wrench that is provided.



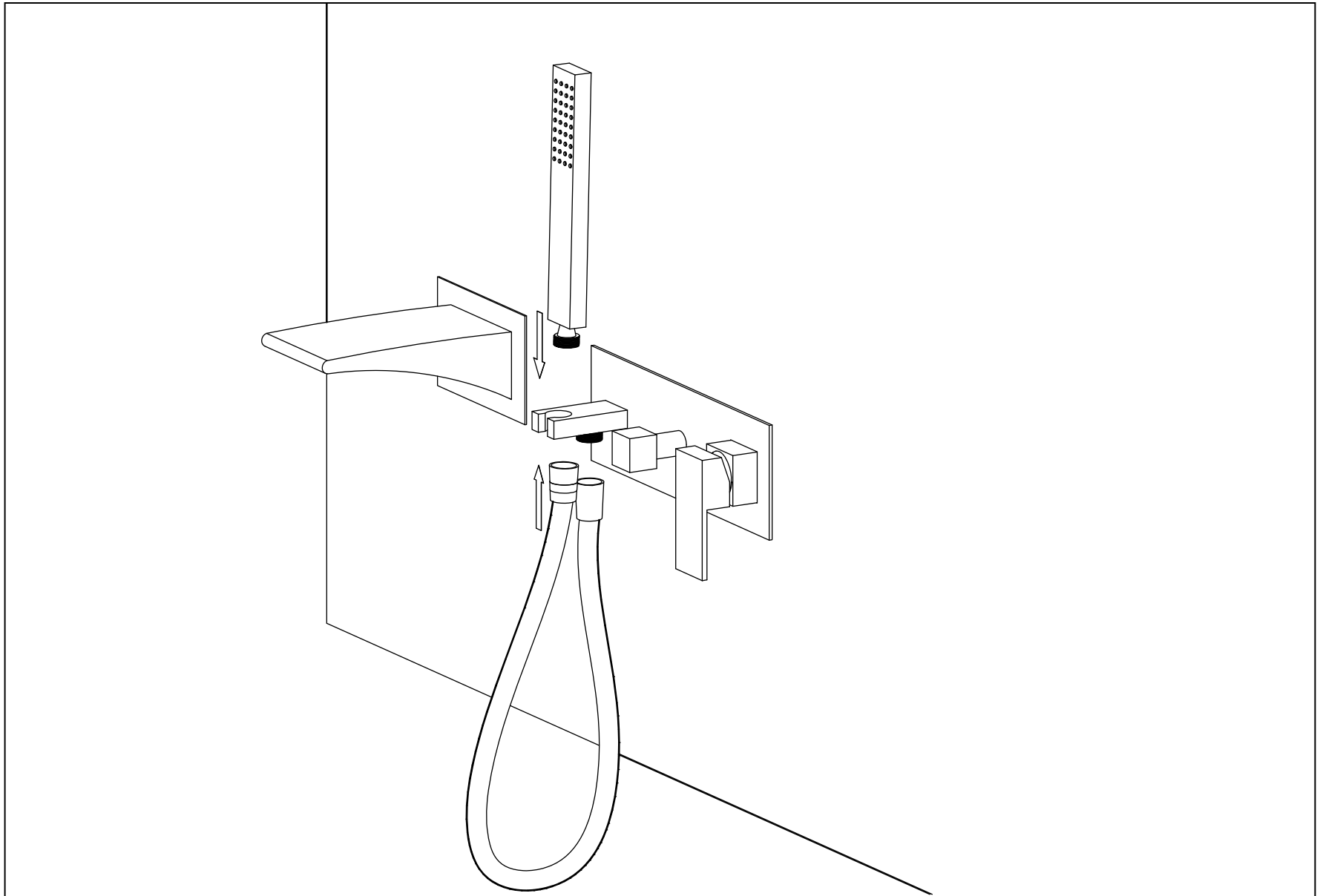
**6.13** Attach the spout adapter onto the supply nipple by the Allen wrench.



**6.14** Secure the spout to spout adapter with set screw by Allen key.



6.15 Connect the hand shower to shower holder with shower hose..



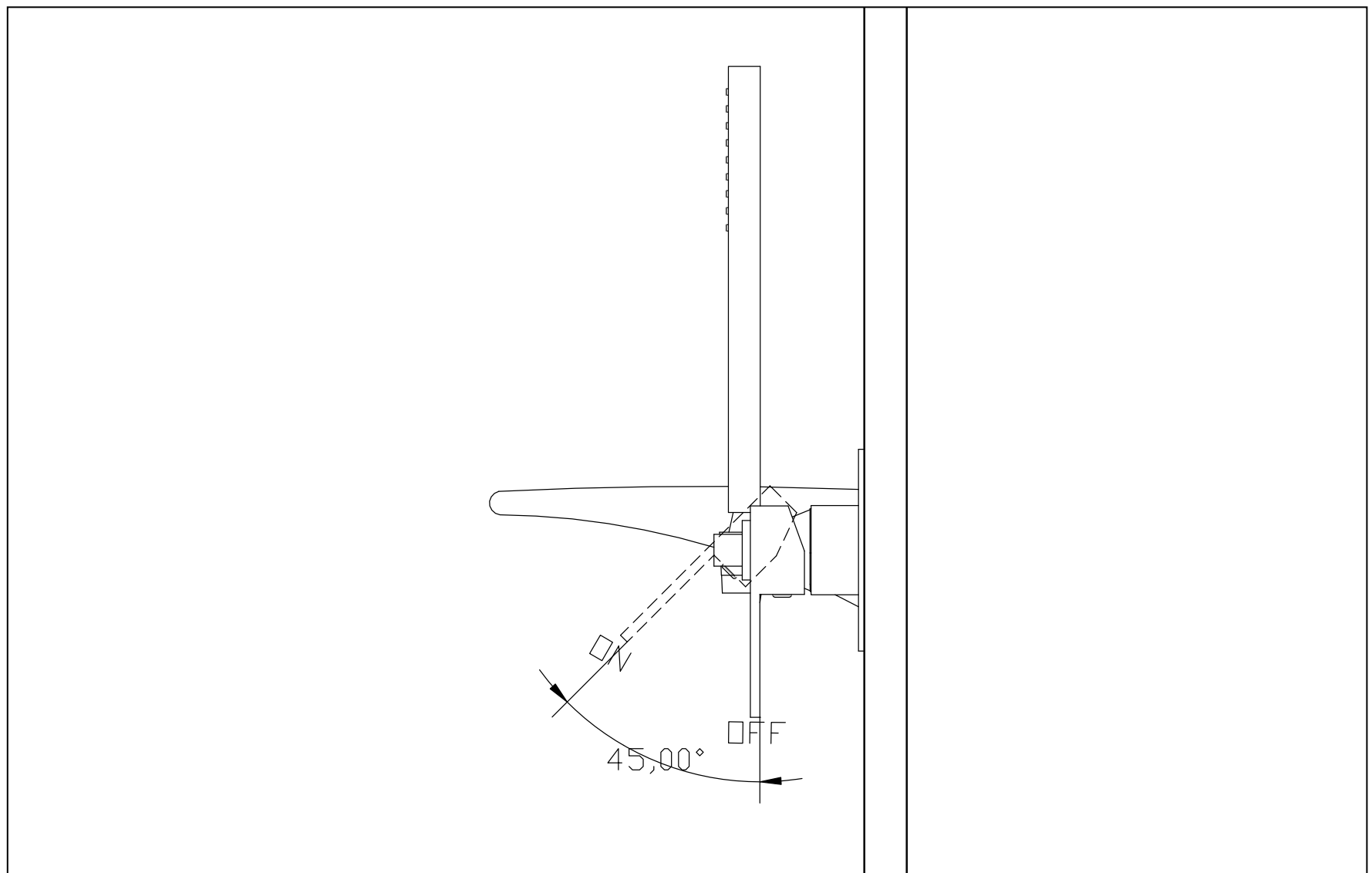
**ASSEMBLE FINISHED**

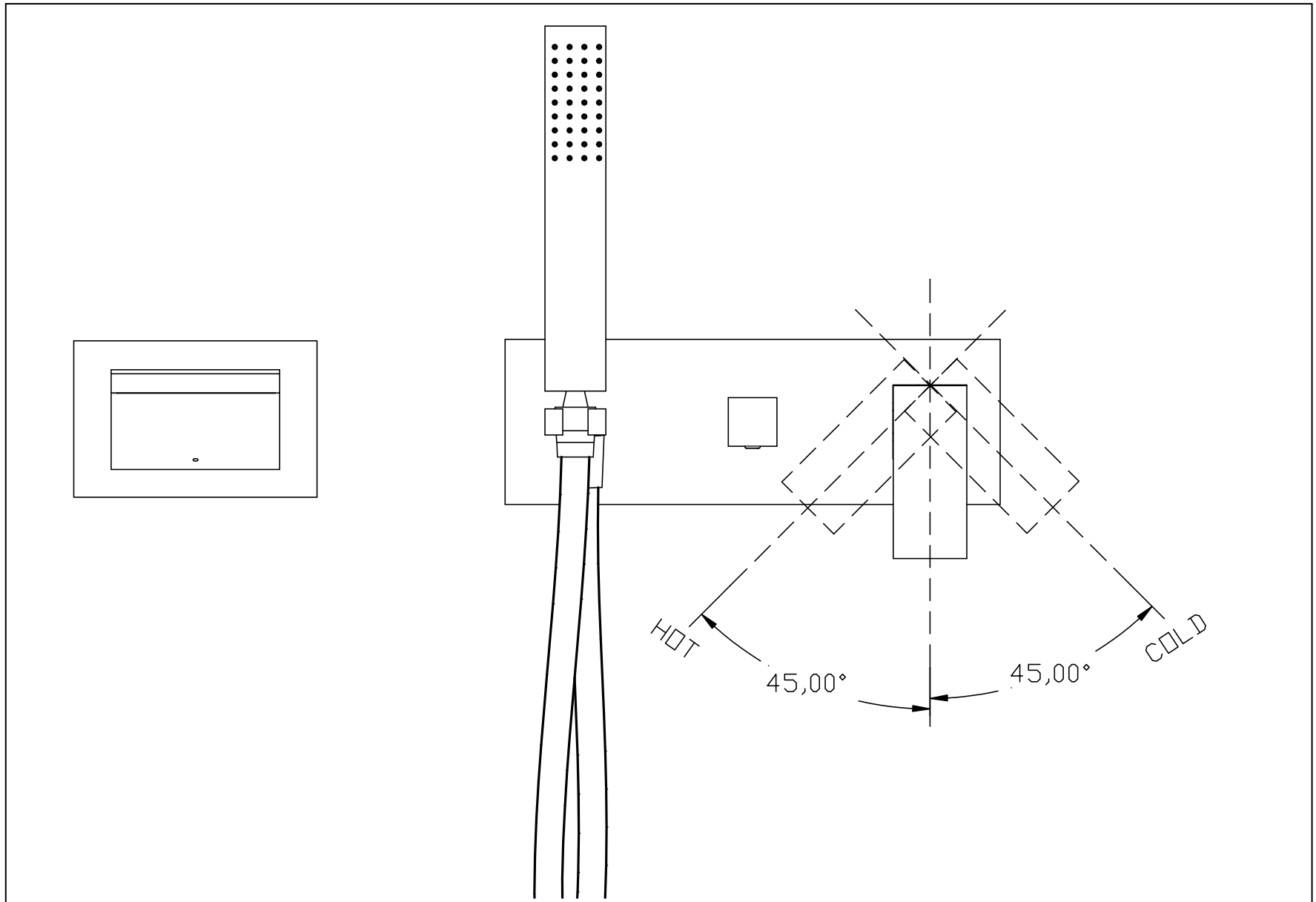
## **7. INSPECTION**

7.1 Turn on hot and cold water supply and check all connection for ensuring no leaking anywhere.

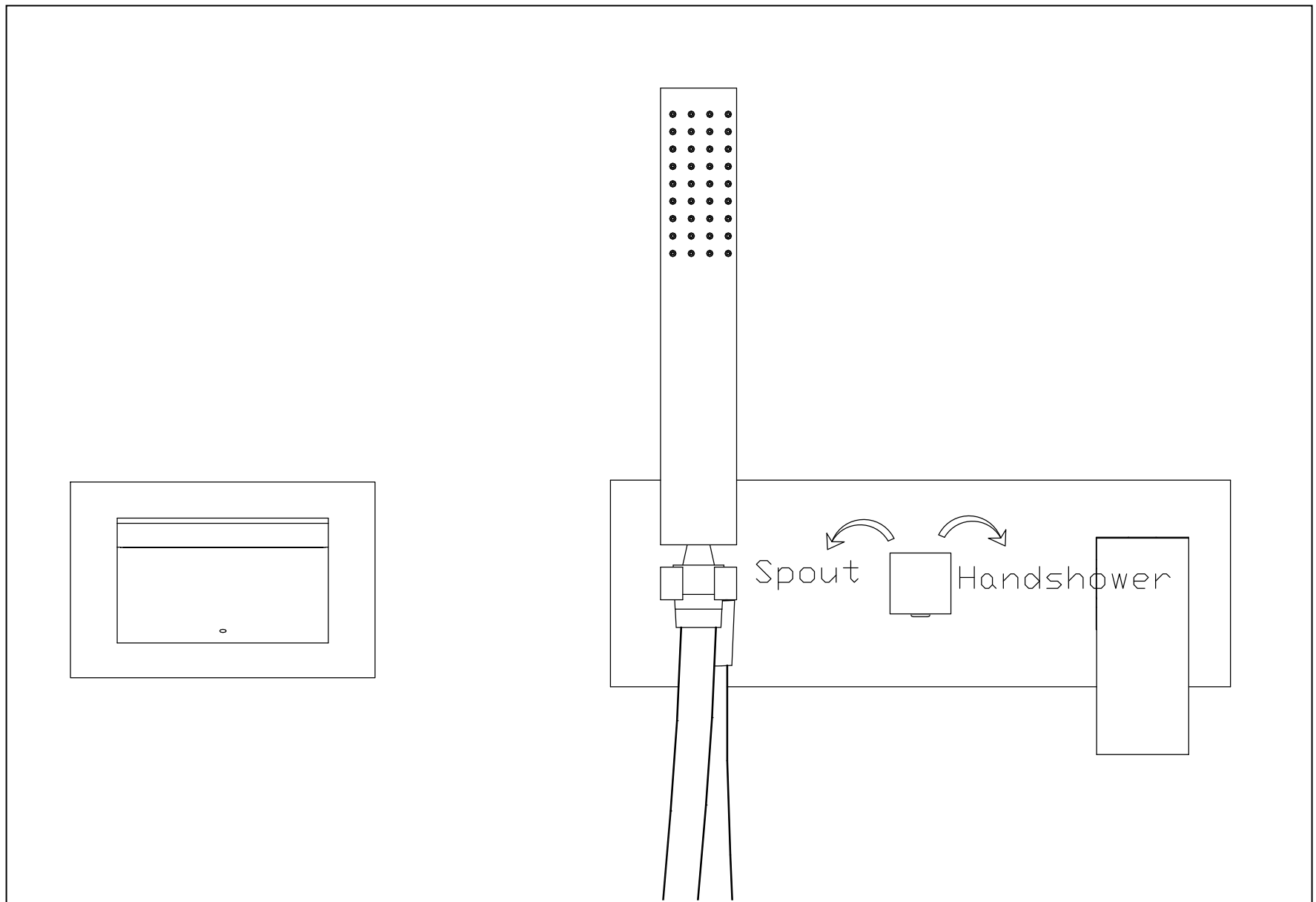
## **8. FUNCTION INSPECTION**

8.1 Turn on the handle, the water outflow from the spout and then turn off the handle, the water stop out flowing.





8.2 Switch the diverter Knob, the water will rush from the hand shower.



**INSTALL FINISH**

## CLEARING RECOMMENDATION FOR SUMERAIN PRODUCTS

Modern lavatory faucets, kitchen faucets, and showers consist of very different materials to comply with the needs of the market with regard to design and functionality. To avoid damage and returns, it is necessary to consider certain criteria when cleaning.

### Cleaning Materials for faucets and showers

Acids are a necessary ingredient of cleaning materials for removing lime, however please pay attention to the following points when cleaning faucets and showers:

- Only use cleaning materials which are explicitly intended for this type of application.
- Never use cleaning materials which contain hydrochloric, formic, phosphoric, or acetic acid, as they cause considerable damage.
- Never mix one cleaning material with another.
- Never use cleaning materials or appliances with an abrasive effect, such as unsuitable cleaning powders, sponge pads, or micro fiber cloths.

### Cleaning instructions for faucets and showers

Please follow the cleaning material manufacturer's instructions. In addition, pay attention to the following points:

- Clean the faucets and showers as and when required.
- Use the amount of cleaning product and the amount of time recommended by the manufacturer. Do not leave the cleaner on the fixture longer than necessary.
- Regular cleaning can prevent calcification, if scale deposits are noticed on the faucet surface or the spout, you can clean it by a commercial limescale remover, such as Lime-Away® or CLR®. Dilute the remover according to the label instructions.
- The faucets might have some rusty if your faucet under hard water condition, please rub it with aluminum foil dipped in water until the surface is nice and smooth, and wipe it use a small amount of chrome polish or maybe something like car wax (such as Meguiar®, Turtle Wax®) or polish.
- For stainless steel faucet and spout both made of solid stainless, normally this finish has not protective coating on it (in particular waterfall spout inside), stainless steel is by its material nature very tarnish resistant, but by no means tarnish or stain proof. This finish might oxidize naturally over time and react to its environment. Keep your stainless fixture wiped clean and dry and use only a cleaner specifically made for stainless steel (such as Weiman®, CLR®).
- When using spray cleaners, spray first onto a soft cloth or sponge, never spray directly onto the faucet as droplets can enter openings and gaps and cause damage.
- After cleaning, rinse thoroughly with clean water to remove any cleaner residue.

### Important

Residues of liquid soaps, shampoos, and shower foams can also cause damage, so rinse with clean water after using.



**Please note:** if the surface is already damaged, the effect of cleaning materials will cause further damage.

**Components with damaged surfaces must be replaced or injury could result.  
Damage caused by improper treatment is not covered under the warranty.**

# SUMERAIN®

### HONGKONG SUMERAIN SANITARY INDUSTRY CO., LIMITED

**Address:** ROOM 1018, HOLLYWOOD PLAZA 610 NATHAN ROAD MONGKOK,  
KL, HONGKONG

**Factory Address:**

Floor 3th, No.2 ZhongXing Road, ShuiNuan City Industrial Zone, Shuikou town, Kaiping City,  
Guangdong Province,  
China

**U.S. Support line:** +1-866-203-0866

**Factory Tel:** +86-750-2731579

**Web:** <http://www.sumerain.com>

**E-mail:** [support@sumerain.com](mailto:supports@sumerain.com)

### SUMERAIN EUROPE SUPPORT

**Address:** Danziger Strasse 142  
10407 Berlin  
Deutschland

**Tel:** +49 (0)30/23975898

**E-mail:** [de@sumerain.com](mailto:de@sumerain.com)