

Dear Customer,

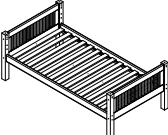
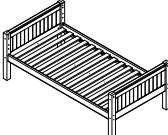

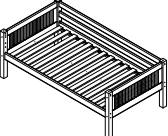
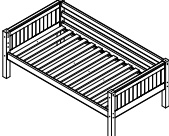
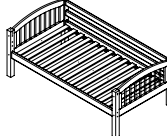
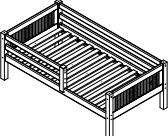
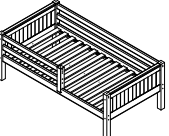
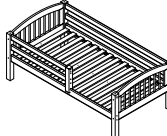








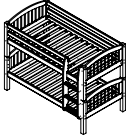
Thank you for purchasing one of our products. Our products are beautifully designed for style, functionality and flexibility as your child grows! All furniture is non-toxic, eco-friendly and made from 100% solid wood with no MDF or laminates which allows it to meet and surpass industry quality standards for sustainability and safety.

Our beds represent the core building block of our unique bedding system. Our products are unique because just like a child's Lego building blocks which allows you to add and subtract parts, our furniture line has optional parts such as slides, bunk bed kits, under bed storage drawers, trundles and many more parts that will allow you to transform the bed as your needs grow! We created this line so that our customers can add further functionality to the beds by creating interchangeable parts.



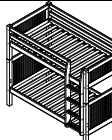

The Flexibility is what we are all about! We offer the best in sturdy, eco-friendly and healthy bedroom furniture for your growing child's needs!

Thank you again for purchasing our products.




POSSIBLE MODELS AND ITS ACCESSORIES

Mission		Panel		Arch Spindle	
BASE BED					
					
1x	twin mission style low head board	1x	twin panel low headboard	1x	arch spindle
1x	post for headboard	1x	post for headboard	1x	post for headboard
1x	rails for bed with center support	1x	rails for bed with center support	1x	rails for bed with center support
1x	wood slats for mattress foundation	1x	wood slats for mattress foundation	1x	wood slats for mattress foundation
BASE DAYBED					
					
1x	twin mission style low head board	1x	twin panel low headboard	1x	arch spindle
1x	post for headboard	1x	post for headboard	1x	post for headboard
1x	rails for bed with center support	1x	rails for bed with center support	1x	rails for bed with center support
1x	full length guard rails	1x	full length guard rails	1x	full length guard rails
1x	wood slats for mattress foundation	1x	wood slats for mattress foundation	1x	wood slats for mattress foundation
BASE DAYBED WITH FRONT GUARD RAIL					
					
1x	twin mission style low head board	1x	twin panel low headboard	1x	arch spindle
1x	post for headboard	1x	post for headboard	1x	post for headboard
1x	rails for bed with center support	1x	rails for bed with center support	1x	rails for bed with center support
1x	full length guard rails	1x	full length guard rails	1x	full length guard rails
1x	short length guard rails	1x	short length guard rails	1x	short length guard rails
1x	wood slats for mattress foundation	1x	wood slats for mattress foundation	1x	wood slats for mattress foundation
LOW LOFT BED					
					
1x	twin mission style low head board	1x	twin panel low headboard	1x	arch spindle
1x	post for headboard	1x	post for headboard	1x	post for headboard
1x	rails for bed with center support	1x	rails for bed with center support	1x	rails for bed with center support
1x	full length guard rails	1x	full length guard rails	1x	full length guard rails
1x	mid height loft bed kit	1x	mid height loft bed kit	1x	mid height loft bed kit
1x	angle ladder for mid height loft bed	1x	angle ladder for mid height loft bed	1x	angle ladder for mid height loft bed
1x	3/4 long guard rails	1x	3/4 long guard rails	1x	3/4 long guard rails
1x	wood slats for mattress foundation	1x	wood slats for mattress foundation	1x	wood slats for mattress foundation
LOW BUNK BED					
					
1x	twin mission style low head board	1x	twin panel low headboard	1x	arch spindle
1x	post for headboard	1x	post for headboard	1x	post for headboard
1x	rails for bed with center support	1x	rails for bed with center support	1x	rails for bed with center support
1x	full length guard rails	1x	full length guard rails	1x	full length guard rails
1x	3/4 long guard rails	1x	3/4 long guard rails	1x	3/4 long guard rails
1x	angle ladder for bunk bed 60"	1x	angle ladder for bunk bed 60"	1x	angle ladder for bunk bed 60"
1x	wood slats for mattress foundation	1x	wood slats for mattress foundation	1x	wood slats for mattress foundation
					
1x	twin mission style low head board	1x	twin panel low headboard	1x	arch spindle
1x	post for headboard	1x	post for headboard	1x	post for headboard
1x	rails for bed with center support	1x	rails for bed with center support	1x	rails for bed with center support
1x	full length guard rails	1x	full length guard rails	1x	full length guard rails
1x	3/4 long guard rails	1x	3/4 long guard rails	1x	3/4 long guard rails
1x	attached ladder for bunk bed 60"	1x	attached ladder for bunk bed 60"	1x	attached ladder for bunk bed 60"
1x	wood slats for mattress foundation	1x	wood slats for mattress foundation	1x	wood slats for mattress foundation

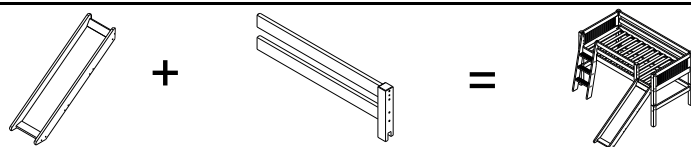
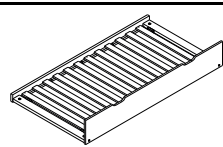


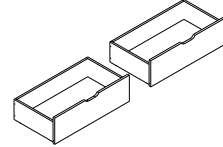
BUNK BED

		
1x twin mission style low headboard	1x twin panel low headboard	
1x post for headboard	1x post for headboard	
1x rails for bed with center support	1x rails for bed with center support	
1x tall headboard mission style	1x tall headboard panel headboard	
1x posts for headboard	1x posts for headboard	
1x full length guard rails	1x full length guard rails	
1x 3/4 long guard rails	1x 3/4 long guard rails	
1x angle ladder for bunk bed	1x angle ladder for bunk bed	
1x wood slats for mattress foundation	1x wood slats for mattress foundation	
		
1x twin mission style low headboard	1x twin panel low headboard	
1x post for headboard	1x post for headboard	
1x rails for bed with center support	1x rails for bed with center support	
1x tall headboard mission style	1x tall headboard panel headboard	
1x posts for headboard	1x posts for headboard	
1x full length guard rails	1x full length guard rails	
1x 3/4 long guard rails	1x 3/4 long guard rails	
1x attached ladder for bunk bed	1x attached ladder for bunk bed	
1x wood slats for mattress foundation	1x wood slats for mattress foundation	

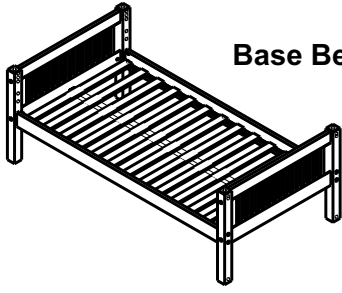
HIGH LOFT BED

		
1x twin mission style low headboard	1x twin panel low headboard	1x arch spindle
1x post for headboard	1x post for headboard	1x post for headboard
1x rails for bed with center support	1x rails for bed with center support	1x rails for bed with center support
1x full length guard rails	1x full length guard rails	1x full length guard rails
1x 3/4 long guard rails	1x 3/4 long guard rails	1x 3/4 long guard rails
1x ladder for high loft bed	1x ladder for high loft bed	1x ladder for high loft bed
1x high loft bed kit	1x high loft bed kit	1x high loft bed kit
1x wood slats for mattress foundation	1x wood slats for mattress foundation	1x wood slats for mattress foundation

ACCESSORIES

LOW LOFT BED WITH SLIDE	UNDER BED TRUNDLE
	
1x slide for mid height loft bed	1x trundle
LOW LOFT BED WITH RETRACTABLE DESK	
	
1x bookcase desk for mid or high loft bed	
HIGH LOFT BED WITH DESK	UNDER BED DRAWERS
	
1x long desk for high loft bed	1x two drawers

BASE BED AND BASE DAYBED - TWIN

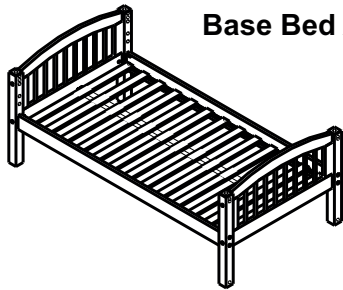
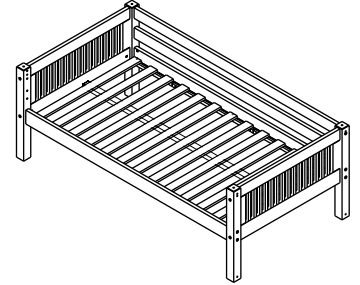


Base Bed Mission

- 1x posts for head board + Hardware
- 1x Rails for Bed with Center Support + Hardware
- 1x twin mission style low head board + Assembly Instructions
- 1x wood slats for mattress foundation

Base DayBed Mission

- 1x posts for head board + Hardware
- 1x Rails for Bed with Center Support + Hardware
- 1x twin mission style low head board + Assembly Instructions
- 1x wood slats for mattress foundation
- 1x full length guard rails + Hardware

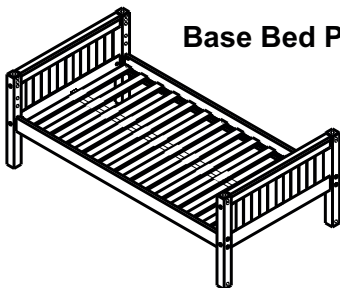
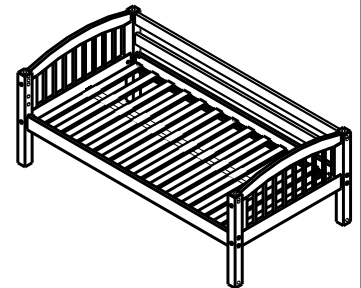


Base Bed Arch Spindle

- 1x posts for head board + Hardware
- 1x Rails for Bed with Center Support + Hardware
- 1x Arch Spindle + Assembly Instructions
- 1x wood slats for mattress foundation

Base DayBed Arch Spindle

- 1x posts for head board + Hardware
- 1x Rails for Bed with Center Support + Hardware
- 1x Arch Spindle + Assembly Instructions
- 1x wood slats for mattress foundation
- 1x full length guard rails + Hardware

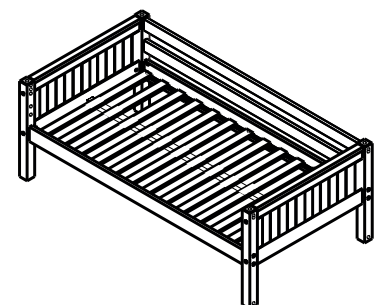


Base Bed Panel

- 1x posts for head board + Hardware
- 1x Rails for Bed with Center Support + Hardware
- 1x twin panel low head board + Assembly Instructions
- 1x wood slats for mattress foundation

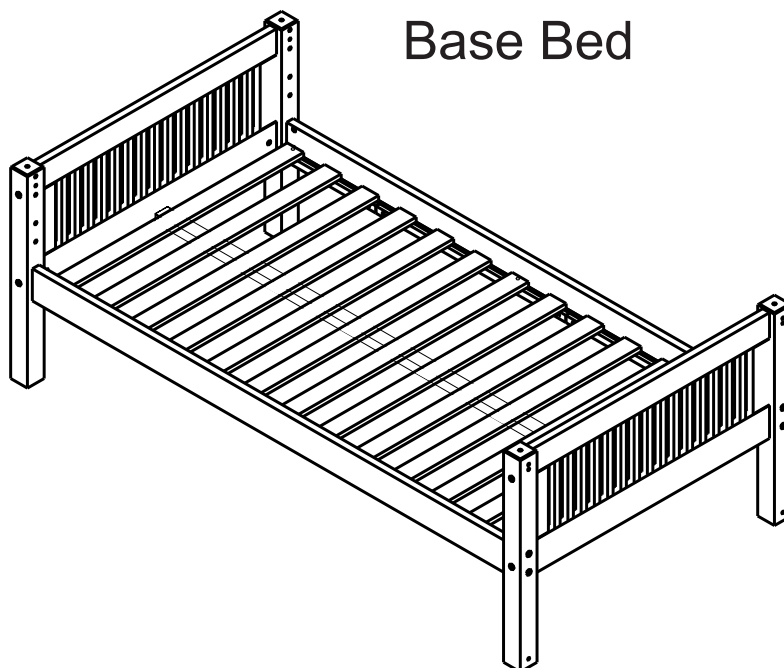
Base DayBed Panel

- 1x posts for head board + Hardware
- 1x Rails for Bed with Center Support + Hardware
- 1x twin panel low head board + Assembly Instructions
- 1x wood slats for mattress foundation
- 1x full length guard rails + Hardware

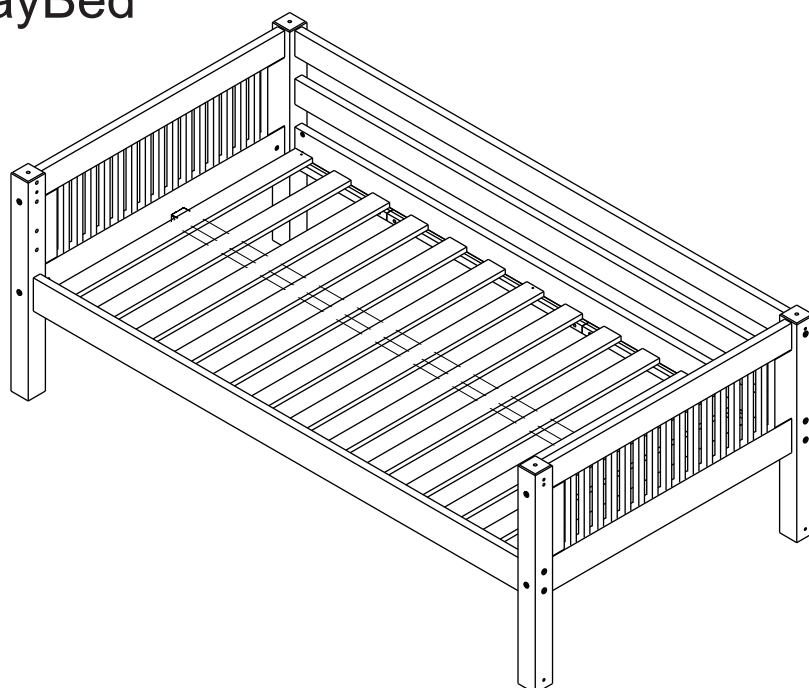


BASE BED - TWIN

Base Bed

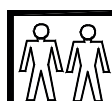


Base DayBed



ATTENTION

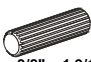




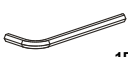


- 1 - Read and observe carefully all the assembly instructions before beginning assembly.
- 2 - The assembly of the product must be done on a clean and flat surface. We suggest to use the packaging to cover the floor to avoid damages.
- 3 - The screw must be tightened periodically.
- 4 - Avoid contact with sharp objects.
- 5 - Avoid banging pieces together.





Parts and hardware list for ASSEMBLY BASE BED.

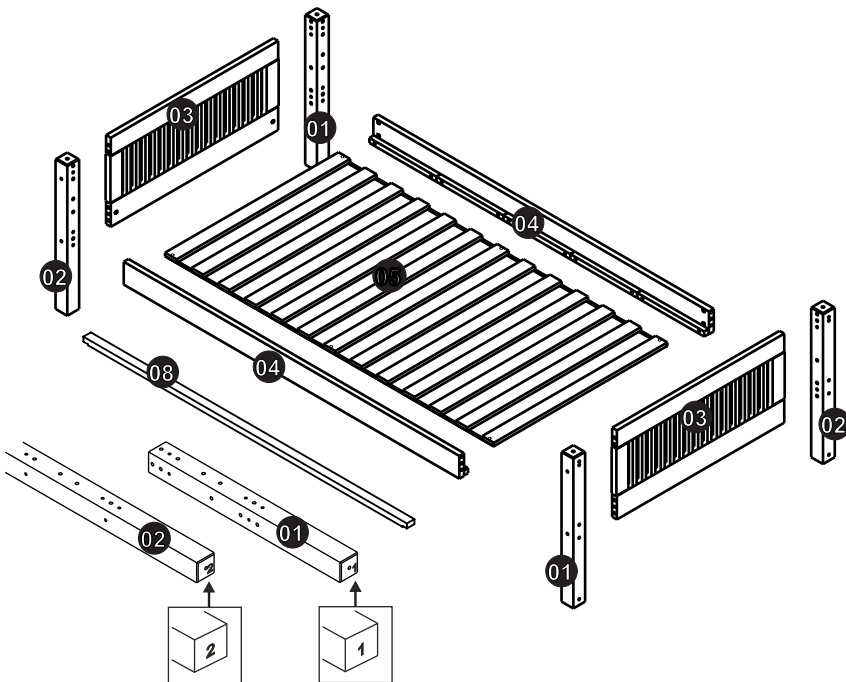
The hardware is located in several part cartons as indicated below:

Hardware - Carton











A  16Pc ø3/8" x 1 9/16"	B  12Pc ø1/4" x 4 1/4"	C  12Pc ø1/4" x 5/8"	D  16Pc ø5/16"	E  20Pc ø3/8"
F  1Pc	G  4Pc ø1/4" x 3 7/8"	I  15Pc ø1/8" x 1 3/8"		

Hardware - Carton

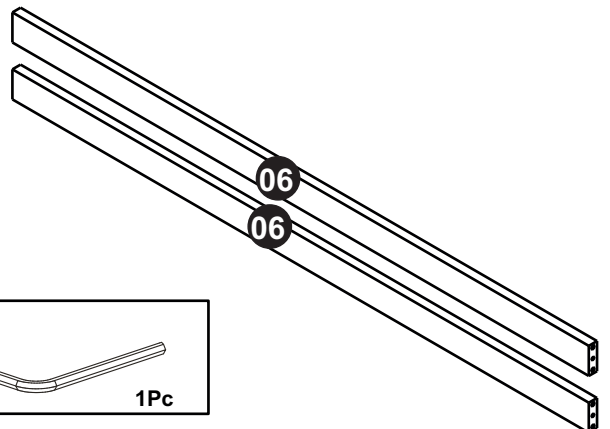
J  02Pc	M  12Pc ø1/8" x 3/4"
---	---



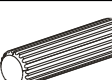
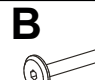


Total Parts + Hardware needed for Assembly of Base Bed!

A  16Pc ø3/8" x 1 9/16"	B  12Pc ø1/4" x 4 1/4"	C  12Pc ø1/4" x 5/8"	D  16Pc ø5/16"	E  20Pc ø3/8"	F  1Pc
G  4Pc ø1/4" x 3 7/8"	I  15Pc ø1/8" x 1 3/8"	J  02Pc	M  12Pc ø1/8" x 3/4"		

DayBed add 2x Rear Guard Rails + Hardware as indicated below:

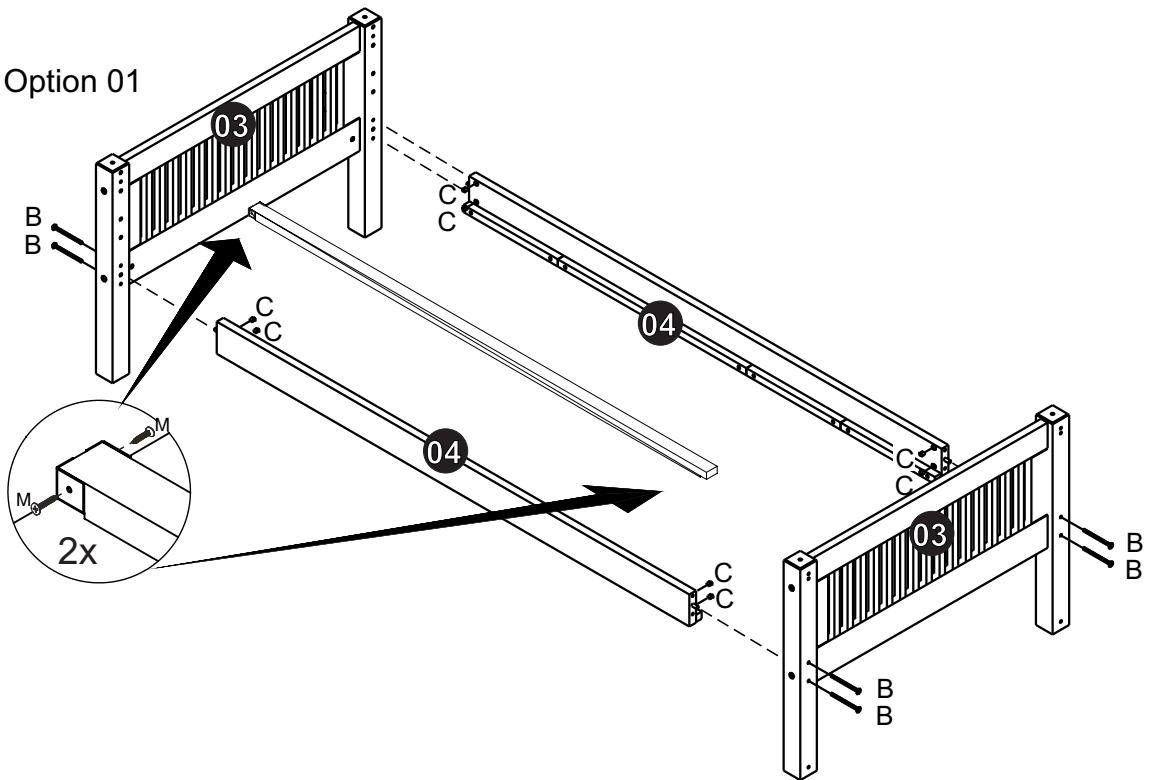


Hardware Carton

A  8Pc ø3/8" x 1 9/16"	B  2Pc ø1/4" x 4 1/4"	C  2Pc ø1/4" x 5/8"	F  1Pc
---	--	--	---

Step 03 - Fasten bed rails to head board posts. Place wood center support into metal brackets - and attach with screws as shown.

BASE BED - Option 01

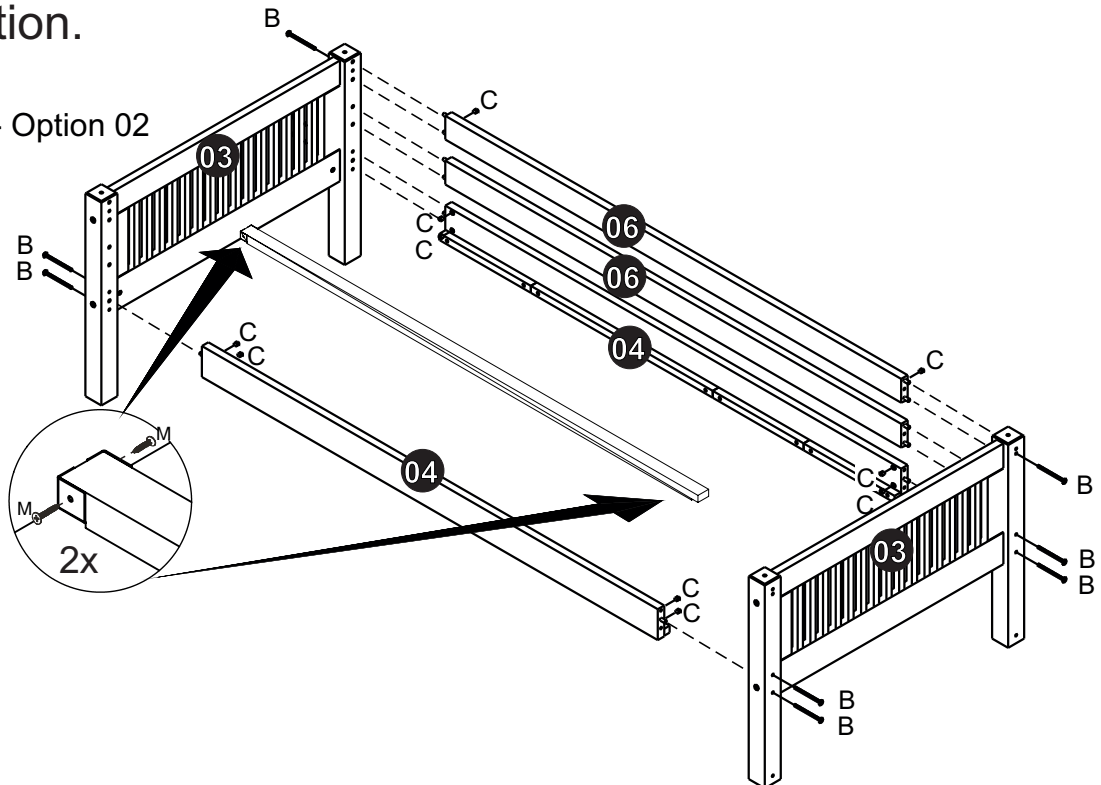


Parts needed for this step:

B (8x)	C (8x)	F (1x)

Attach full length guard rails as shown if bed purchased as DayBed with this option.

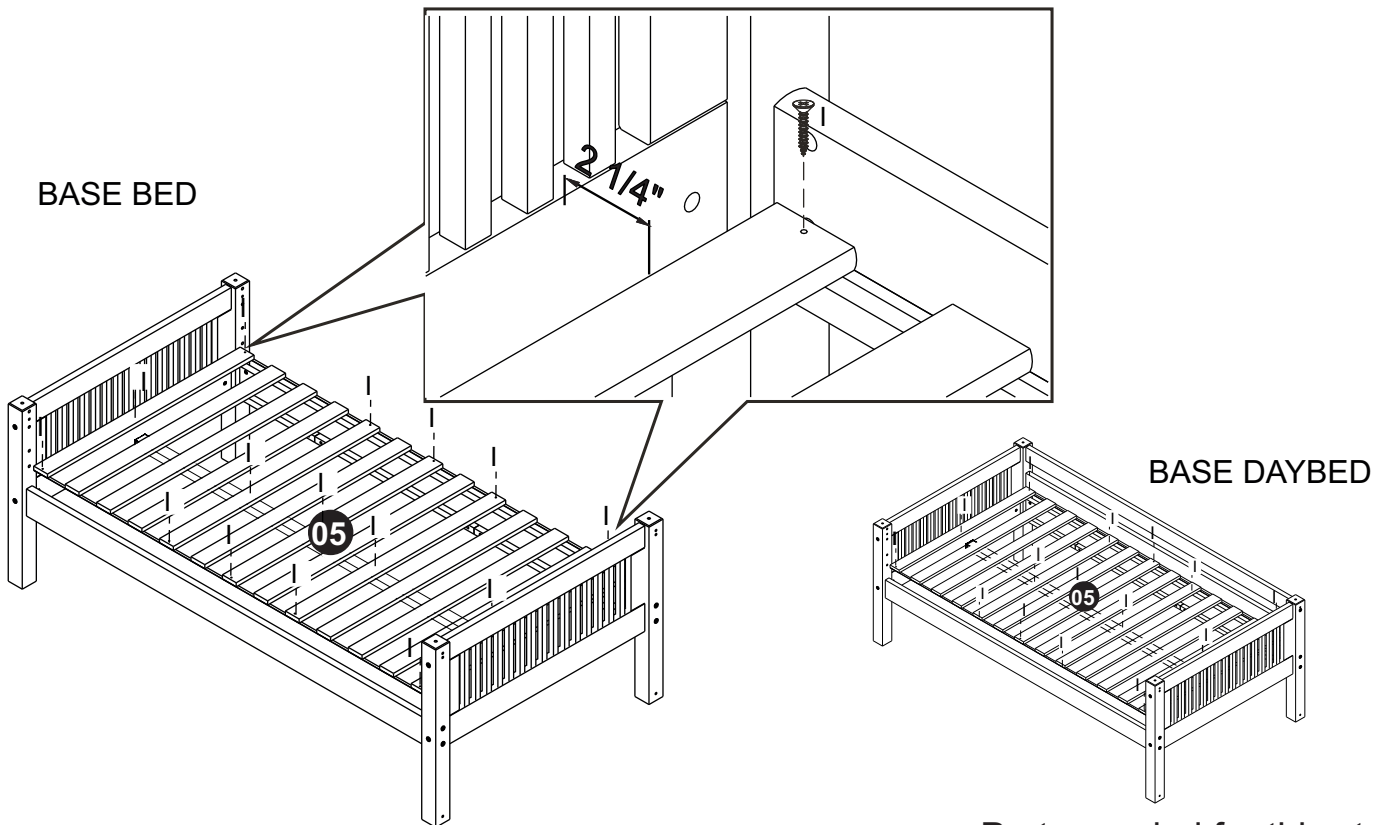
BASE DAYBED - Option 02



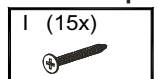
Parts needed for this step:

B (10x)	C (10x)	F (1x)	M (4x)

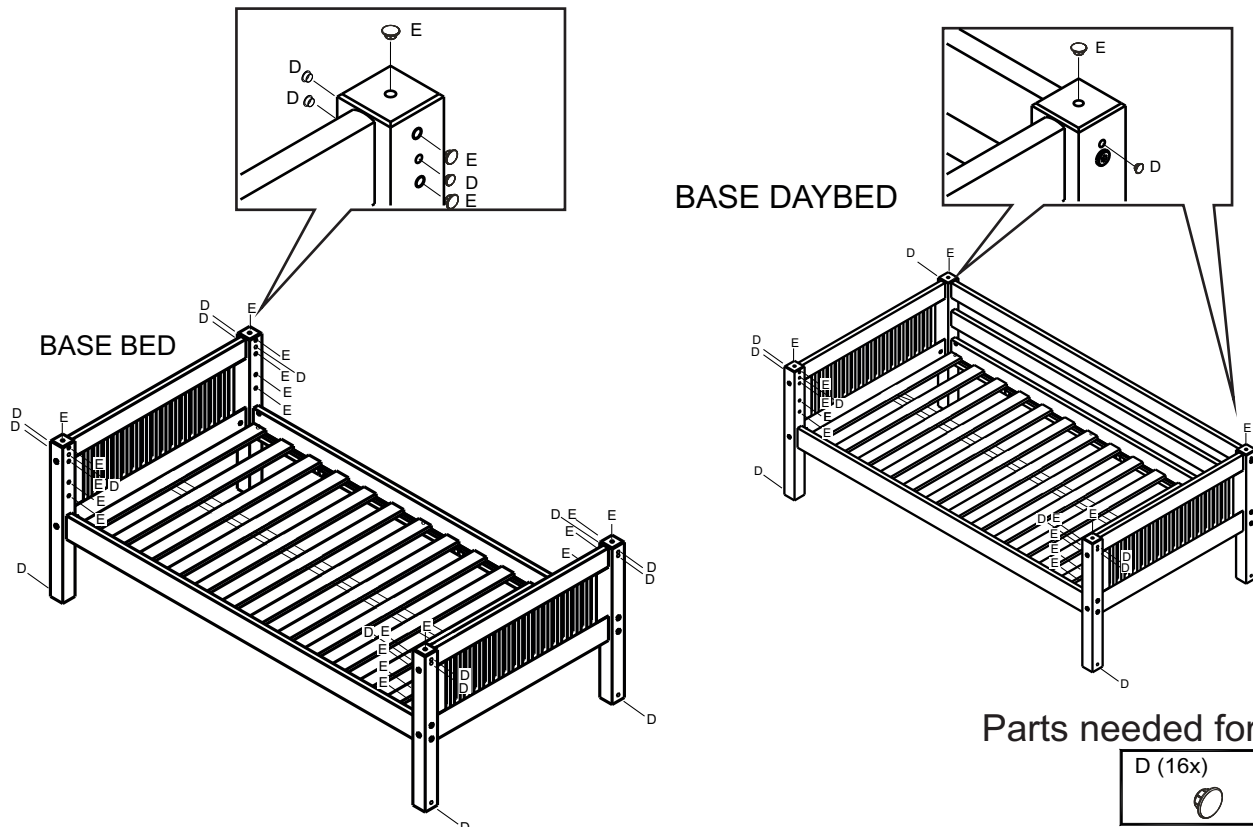
Step 04 - Attach slat roll foundation to bed rails as indicated.



Parts needed for this step:



Step 05 - Place plastic plugs into open screw holes.



Parts needed for this step:



Your bed is now ready for use as is or to be added to other bed configurations, such as Loft Bed, Bunk Bed, etc.