

Installation and Operation

Step 1 - Washing

1. Place tub on a level surface near drainage point.
2. Open the top cover and turn the spin basket clockwise to release and remove.
3. Clip water drainage tube to the right side.
4. Place clothes in the washing machine.
5. Plug the washing machine in.
6. Fill with warm water, via the water inlet or direct in to tub with the jug (not exceeding 40 degrees) to level marks.
7. Add Washing powder to water
8. Turn wash to time as desired
9. When wash ends, release the drainage tube and drain water into sink or suitable container.

Step 2- Rinsing

1. Clip drainage tube to side of the machine.
2. Re-fill tub with clean water to the same level.
3. Turn the dial to desired time
4. When the cycle has finished, release the drainage tube and drain water.
5. Repeat above process if necessary.
6. Leave drainage tube in released position.

Step 3 - Spin

1. Place wet clothes into spin bucket, split load if necessary (do not overload basket, max 6.6lb/about 3.0kg)
2. Place the plate over the clothes and press down to secure.
3. Place spin bucket into the tub, turn anti clockwise and click into position
A "click" sound indicates that the spin bucket and tub are fully connected in place.
4. Turn the dial to spin and for your desired time

General Maintenance

- When cleaning the housing of the machine, wipe it thoroughly and wipe out dirt. When unit is very dirty, please use a neutral liquid soap to clean.
- Store in a cool, dry place.

Special Suggestion

The washing machine suddenly stopped working? It's probably the heat protector that's keeping you safe!
When the washing machine is overheated (such as too much clothing, poor ventilation) or abnormal load (such as clothing entanglement), the thermal protector will automatically cut off the power to prevent motor damage.
In this case please:

1. Suspend the use until the motor is cooled for more than 3 hours (the thermal protector automatically resets);
2. Take out some clothes to avoid overload;
3. Clean the vents at the bottom to ensure heat dissipation.

Daily attention: the amount of laundry should not exceed the fixed capacity, and regular cleaning of the filter screen and ventilation holes can effectively prevent abnormal shutdown.

WARNING!

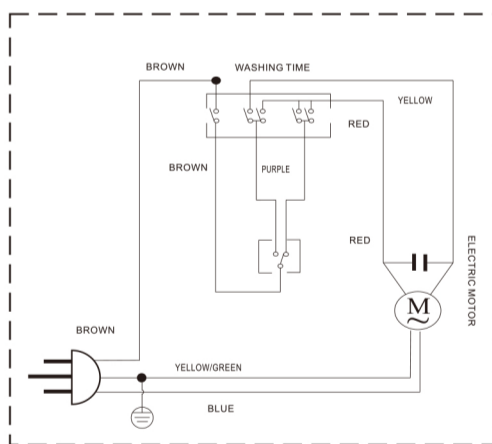
ELECTRICAL ITEM, PROTECT FROM RAIN AND WATER, DO NOT IMMERSE.

1. Water cannot enter the inner part of the machine directly, in order to protect the electric motor.
2. When removing the plug from the socket, ensure hands are dry.
3. To avoid plastic deformation, do not place heavy goods or hot objects on the unit.
4. Do not use excessive amounts of washing powder, this will affect washing performance.
5. Water must not exceed 40 degrees.
6. If supply cord is damaged it must be replaced by the manufacturer, or qualified repair station in order to avoid hazard.
7. This appliance is not intended for use by children and persons with reduced physical, sensory or mental capabilities, unless they have been given supervision or instruction concerning use of the appliance by a person responsible for their safety.
8. Keep the machine away from direct sunlight and heating appliances.
9. If there is an excess amount of water in the tub, it will overflow.
10. colour washings should be washed separately.
11. For washing, please use a washing net bag and wash garments on their reverse side.

Trouble Shooting

Trouble	Check up
No Washing	Power failure?
	Fuse blown?
	Whether the power cord is connected to the socket properly?
	Switch the timer?
Not Drain	Is the drain hose kept down?
	Is the drain hose twisted or the threshold too high?
	Is the drain hose blocked ?
	Is there too many clothes?
Washing is forceless	Is the V belt too loose?
	Is the voltage too low?

Wiring Diagram



Caution: Before checking trouble or repairing, unplug and touch both the plug pin and the earth wire to prevent the break down by the static electricity.

Specifications

Model	DSN090BL308A	DSN090GN309A
Outer dimension	355*335*490MM	355*335*490MM
Weight	5.0KG	5.0KG

Accessories

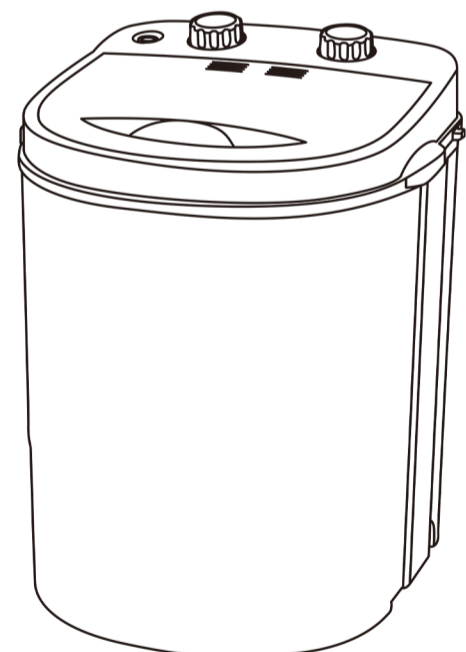
1. Inlet hose
2. Spin basket with a plate
3. User Manual

Mini Portable Washing Machine

Model:

DSN090BL308A

DSN090GN309A



Thank you for purchasing the single tub washing machine

- Please read this manual carefully in order to operate the machine properly
- Keep this manual handy for further reference
- We are committed to providing consumers with the best products and service.