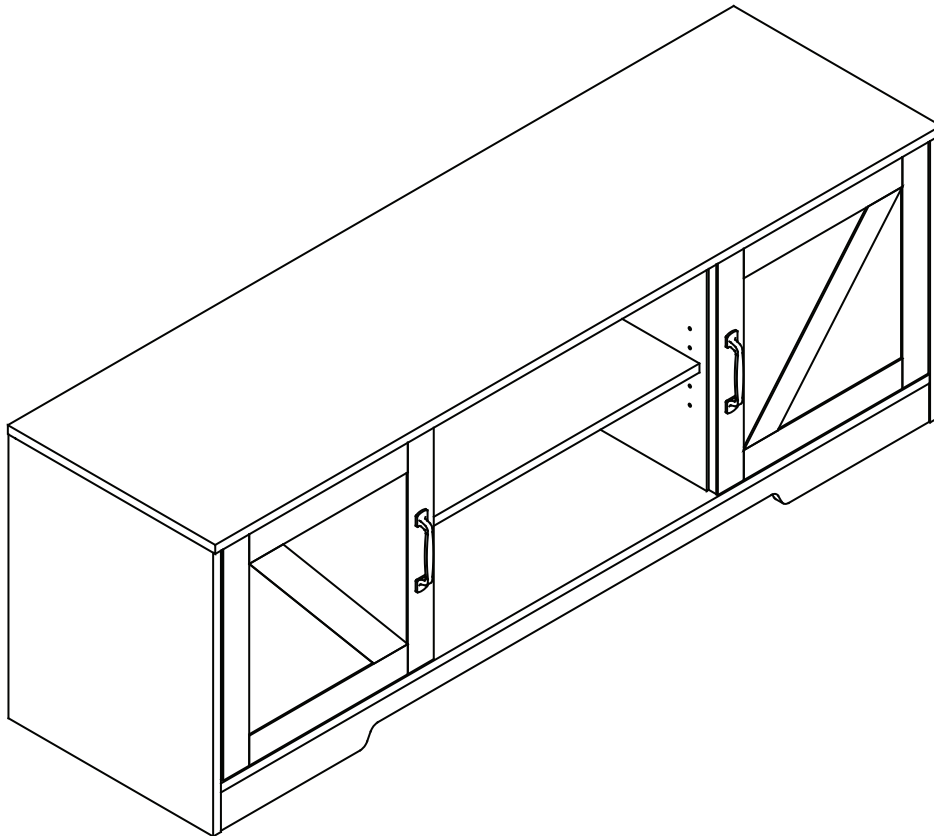


Assembly Instructions

PWS-EC4089-WNT

59 in. WOOD WALNUT TV STAND



THIS INSTRUCTION BOOKLET CONTAINS **IMPORTANT** SAFETY INFORMATION. PLEASE READ AND KEEP FOR FUTURE REFERENCE.

Do Not Return This Product!

Contact our customer service team for help first.

Monday-Friday 9am - 5pm CST

Visit: support@cenports.com



WARNING

- Unit can tip over causing severe injury or death.
- Anchor unit to stud in wall (if instructed to).
- Do Not allow children to climb on unit.
- Put heavy items on lower shelves or drawers.



Contact Us!

Do NOT return this product!

Contact our friendly customer service team first for help



Visit support@cenports.com

Helpful Hints

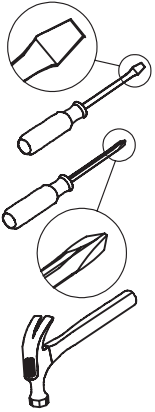
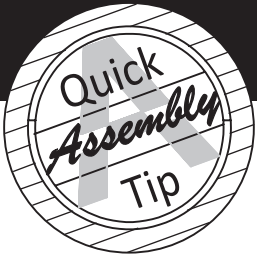
PEOPLE NEEDED FOR ASSEMBLY: **1-2**

ESTIMATED ASSEMBLY TIME: **30 MINUTE**

- Open your item in the area you plan to keep it to avoid excessive heavy lifting.
- Identify, sort and count the parts before attempting assembly.
- Compression dowels are lightly tapped in with a hammer.
- Slides are labeled with a **R** (right) and **L** (left) for proper placement.
- Make sure to always face the point on the top of the Cam Lock towards the outer edge.
- Use all the nails provided for the back panel and spread them out equally.
- Back panel must be used to make sure your unit is sturdy.
- Do NOT use harsh chemicals or abrasive cleaners on this item.
- Never push, pull, or drag your furniture.



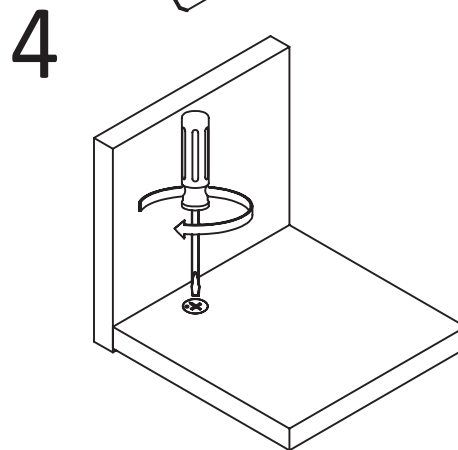
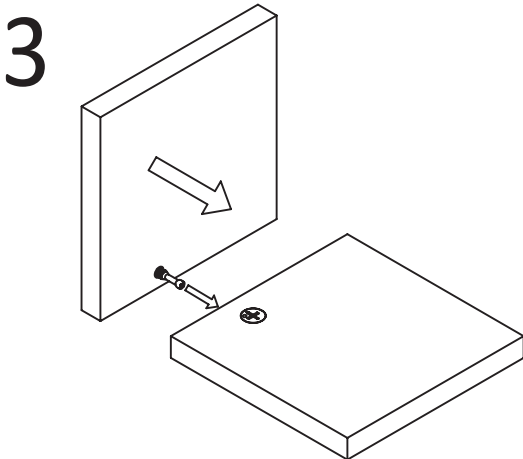
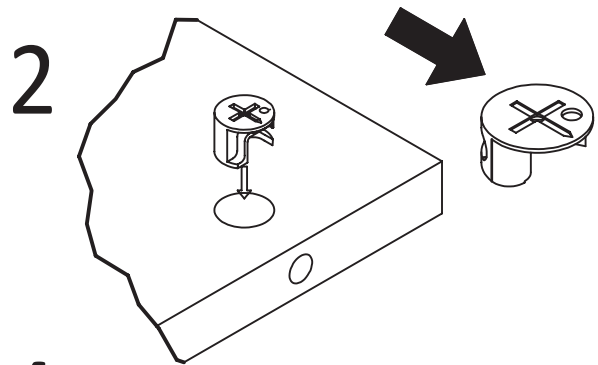
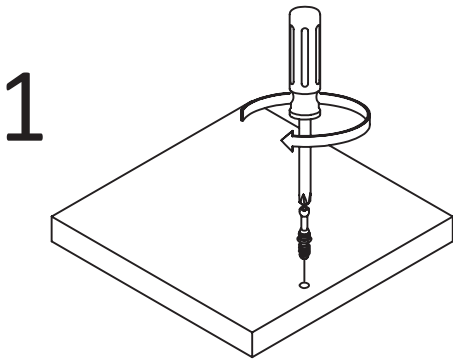
Before You Start



- ✓ Read through each step carefully and follow the proper order
- ✓ Separate and count all your parts and hardware
- ✓ Give yourself enough room for the assembly process
- ✓ Have the following tools: Flat Head Screwdriver, #2 Phillips Head Screwdriver and Hammer
- ✓ Caution: If using a power drill or power screwdriver for screwing, please be aware to slow down and stop when screw is tight. Failure to do so may result in stripping the screw.

Cam Lock Fastening System

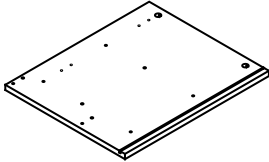
This Cam Lock Fastening System will be used throughout the assembly process.



Board Identification

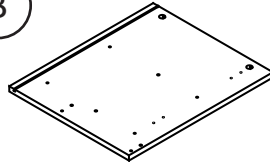
Not actual size

A



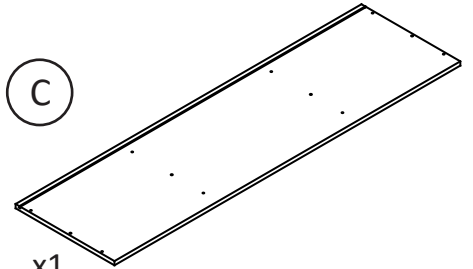
x1
SIDE PANEL LEFT

B



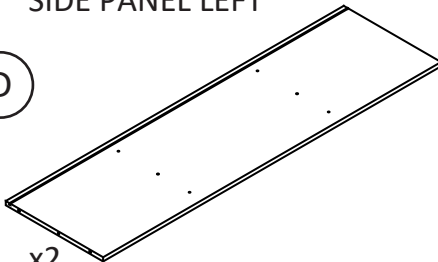
x1
SIDE PANEL RIGHT

C



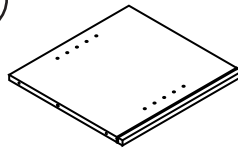
x1
TOP PANEL

D



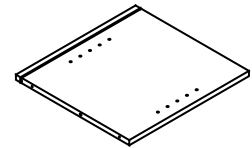
x2
BOTTOM PANEL

E



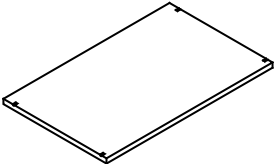
x1
CENTER LEFT PANEL

F



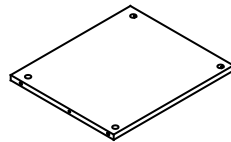
x1
CENTER RIGHT PANEL

G



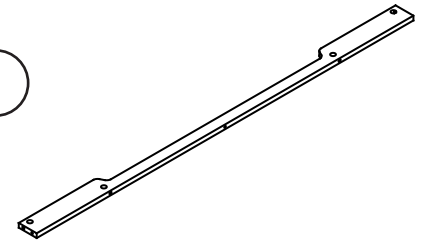
x1
CENTER SHELF PANEL

H



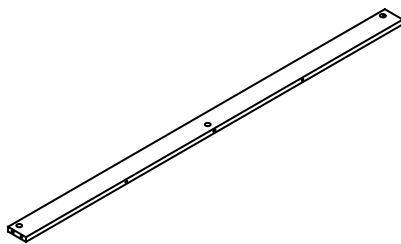
x2
SHELF PANEL

I



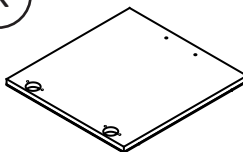
x1
FRONT SUPPORT BOTTOM
PANEL

J



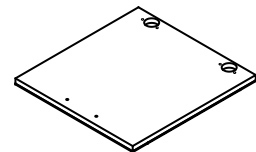
x1
BACK SUPPORT BOTTOM
PANEL

K



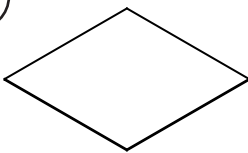
x1
DOOR LEFT PANEL

L



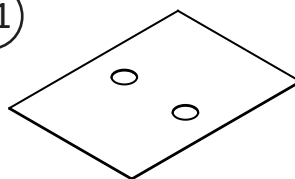
x2
DOOR RIGHT PANEL

Y



x2
BACKPLY PANEL

Y1



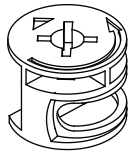
x1
CENTER BACKPLY PANEL

Part List

Not Actual Size



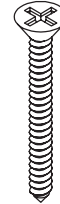
x27
Minifix Bolt



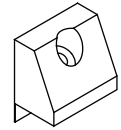
x27
Cam Lock
12-15



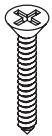
x19
Wood Dowel
6 X 30



x4
Csk Screw
4.7 X 38



x12
Backply Stopper



x12
Csk Screw
3.1 X 20



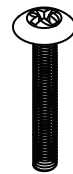
x16
Csk Screw
3.5 X 15



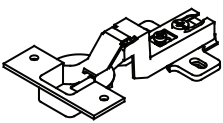
x4
Shelf Stopper



x2
Handle
(96 hole)



x4
Handle Screw
4 X 22

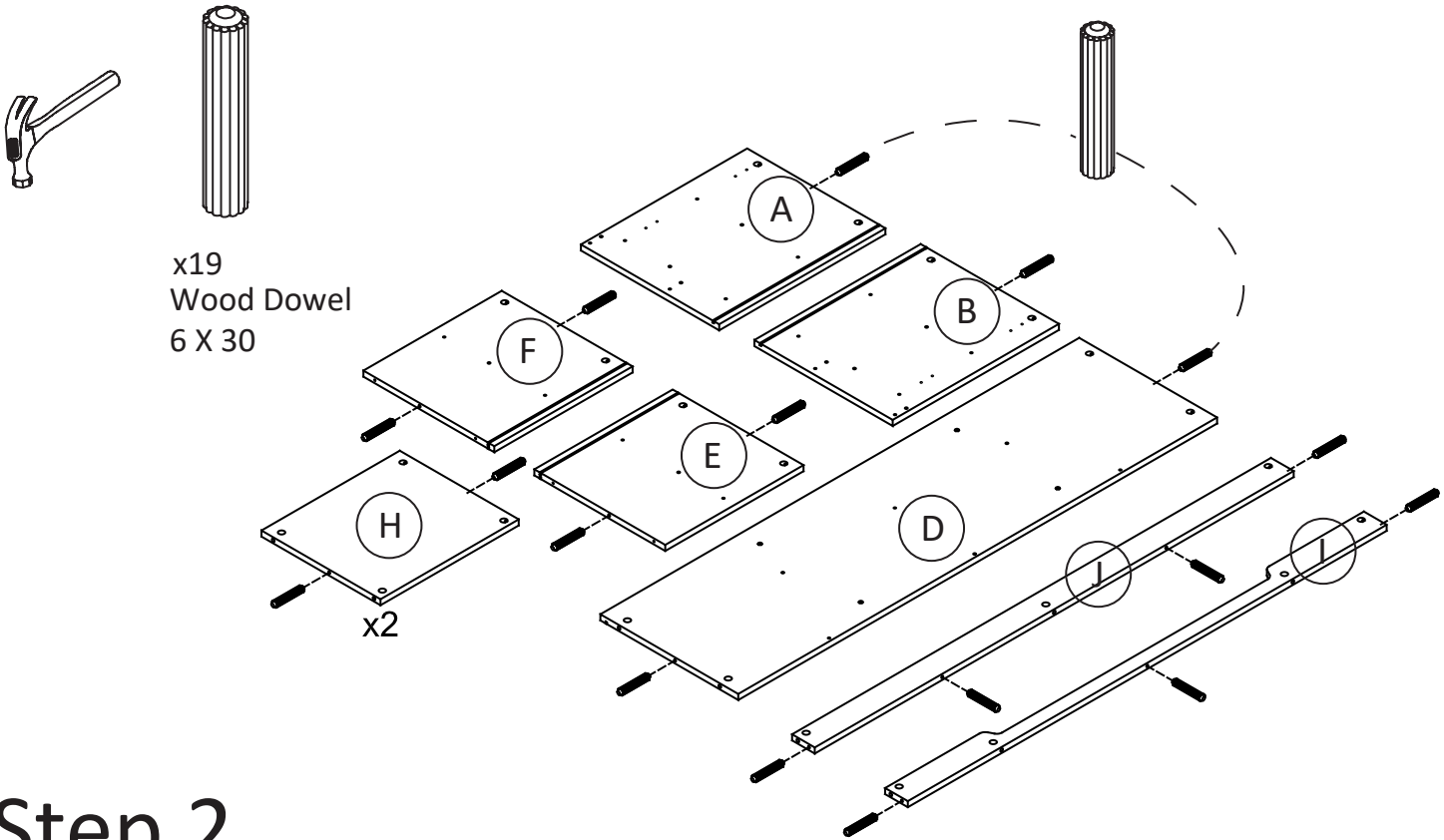


x4
Hinges 7/8

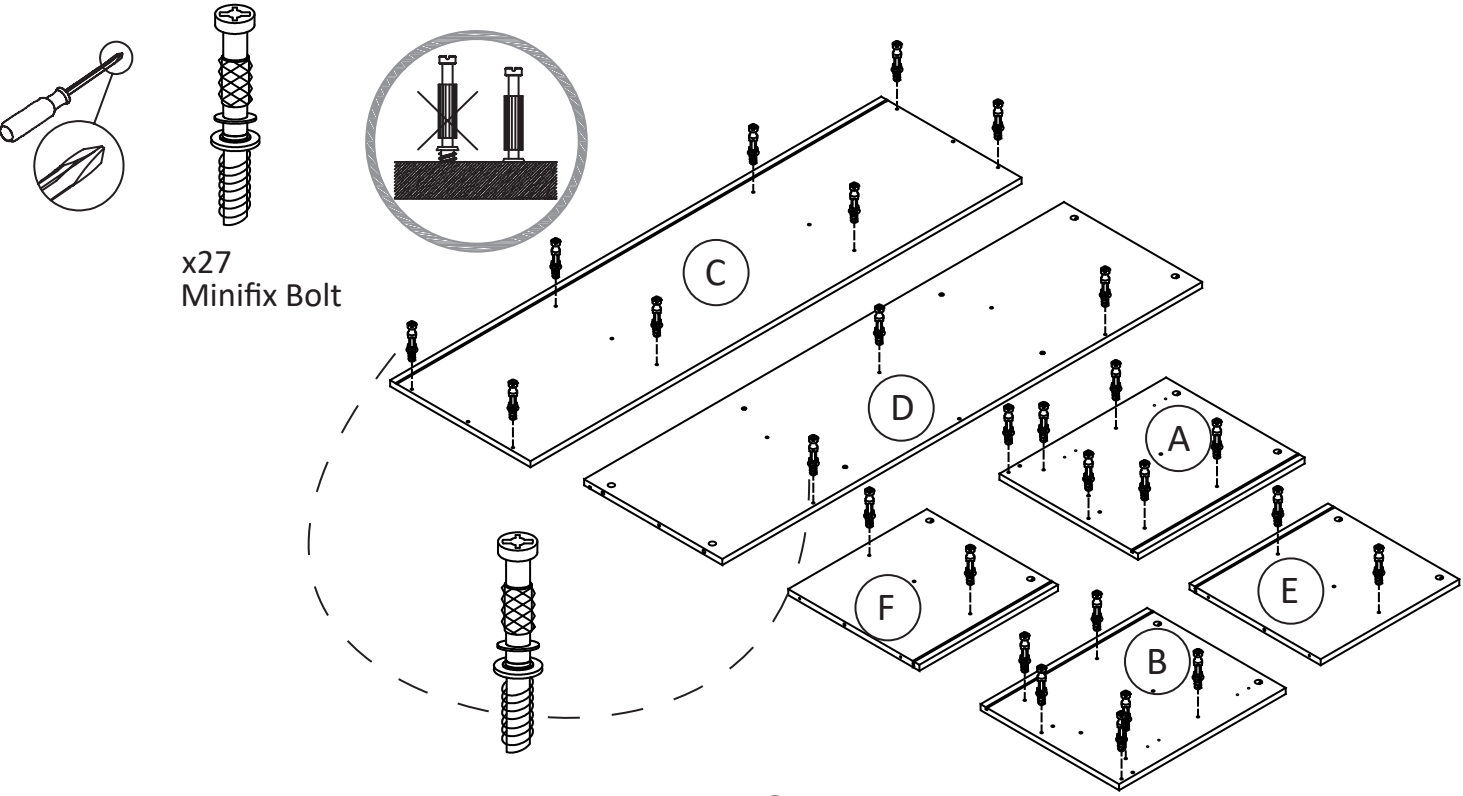


x1
Allen Key M4

Step 1



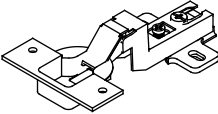
Step 2



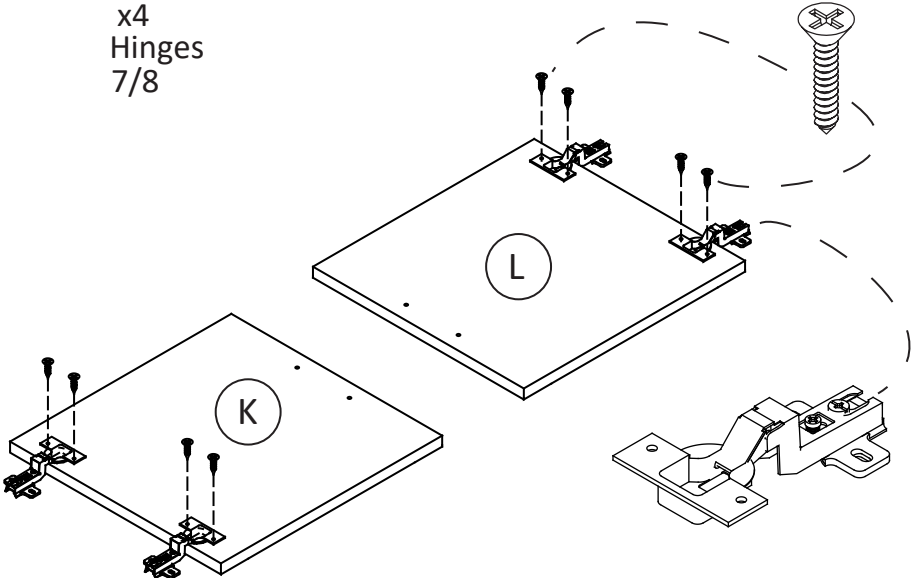
Step 3



x8
Csk Screw
3.5 x 15



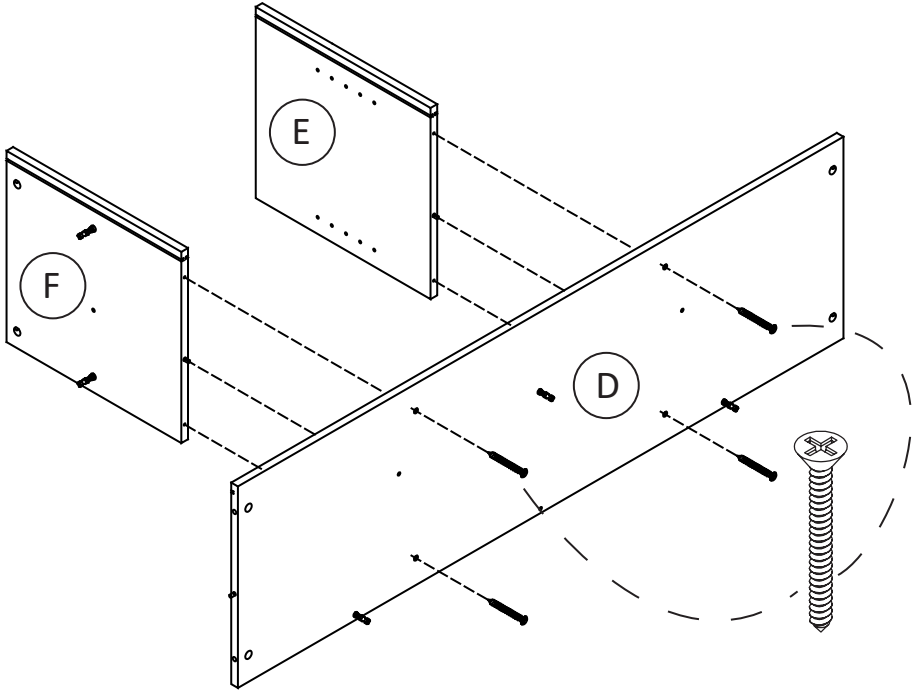
x4
Hinges
7/8



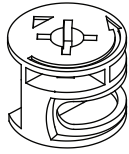
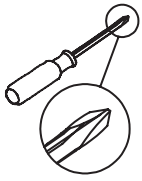
Step 4



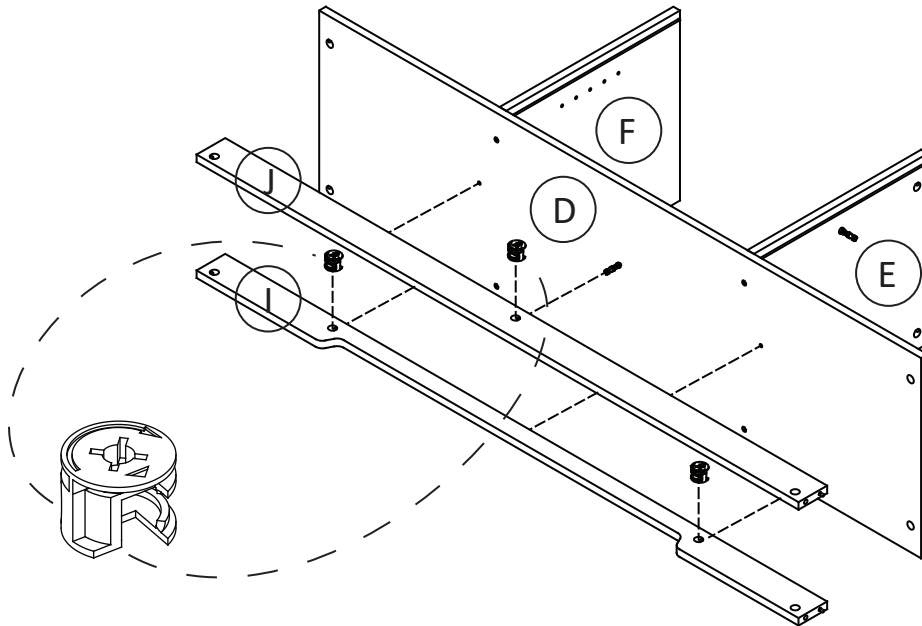
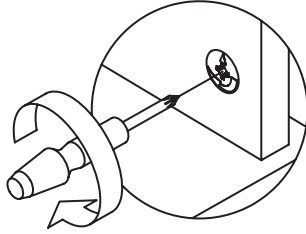
x4
Csk Screw
4.7 x 38



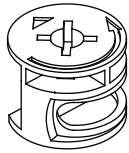
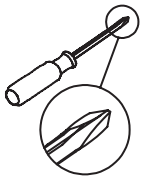
Step 5



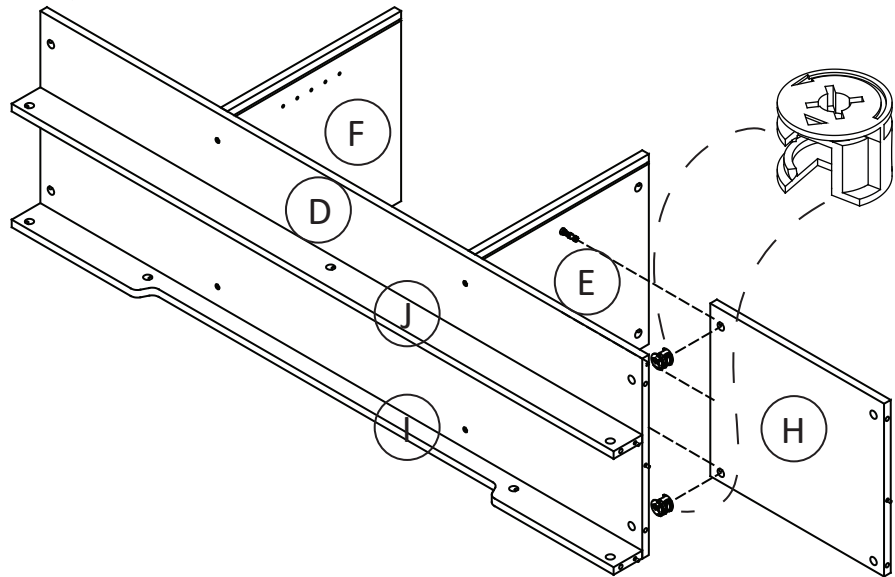
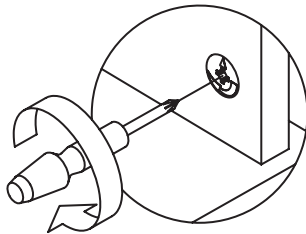
x3
Cam Lock
12-15



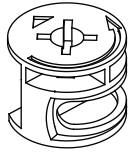
Step 6



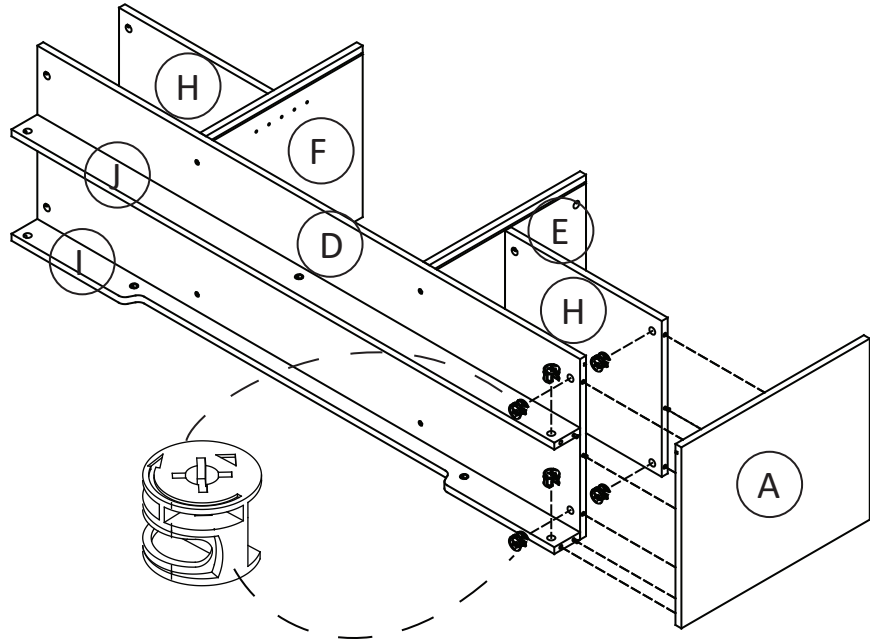
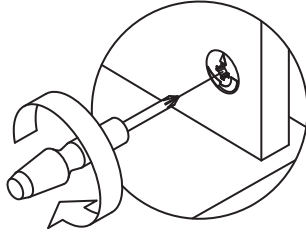
x2
Cam Lock
12-15



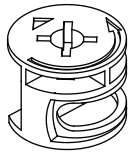
Step 7



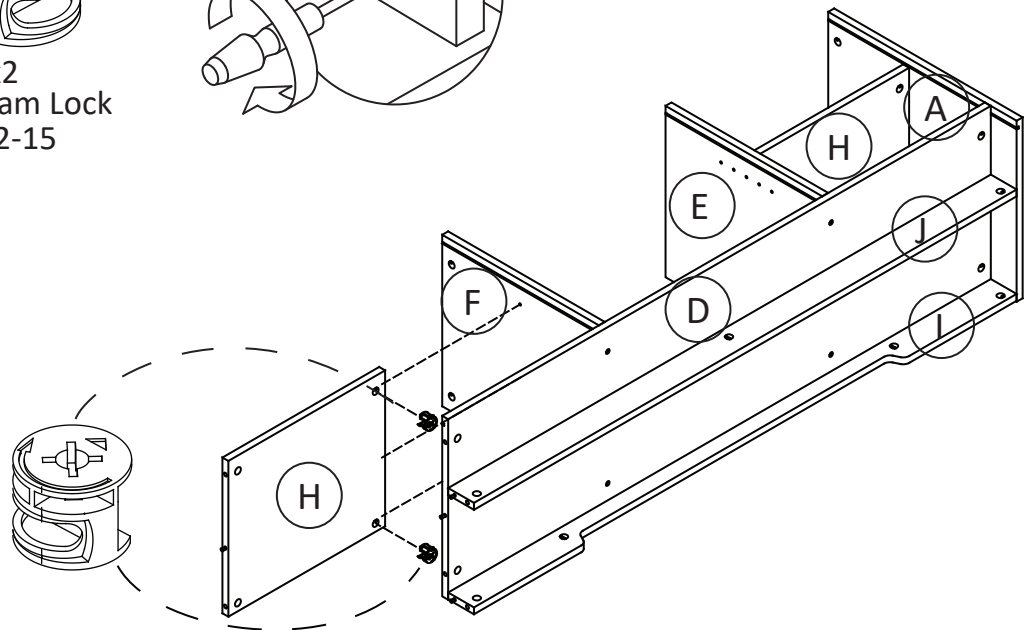
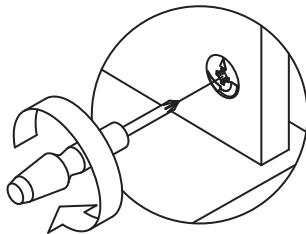
x6
Cam Lock
12-15



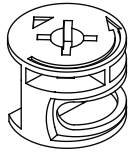
Step 8



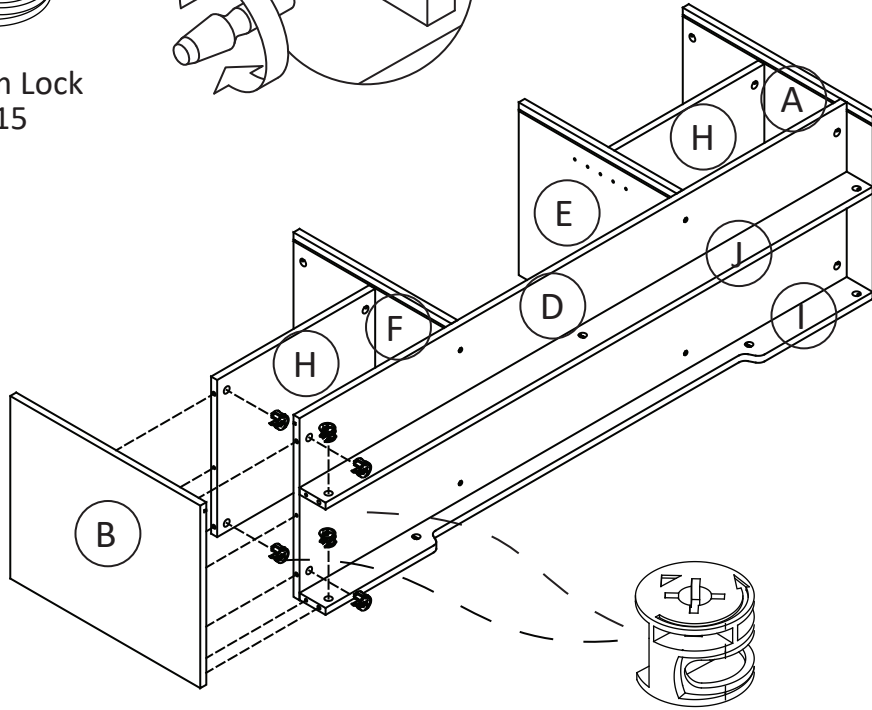
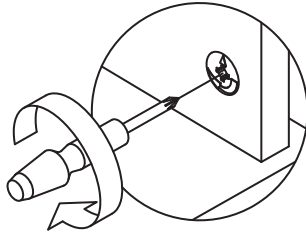
x2
Cam Lock
12-15



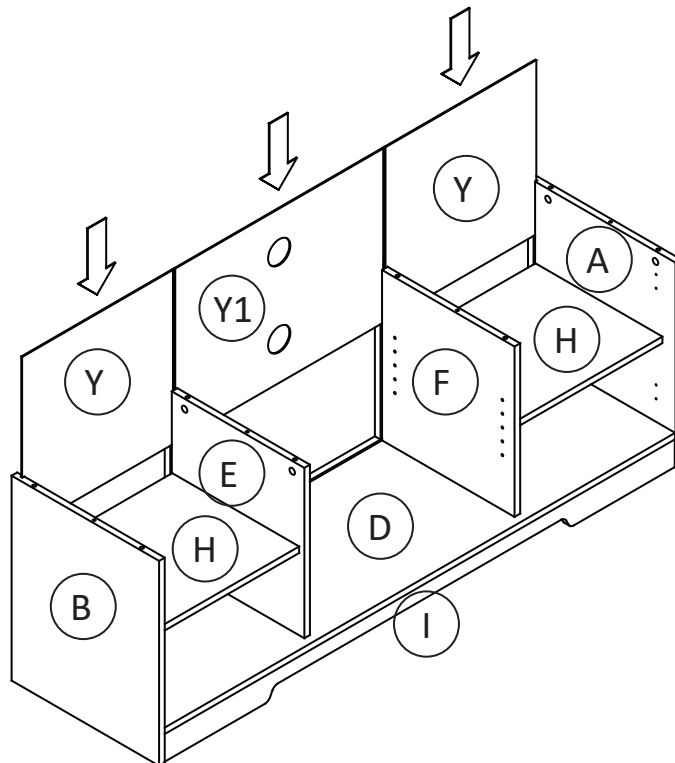
Step 9



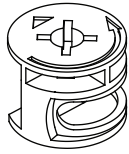
x6
Cam Lock
12-15



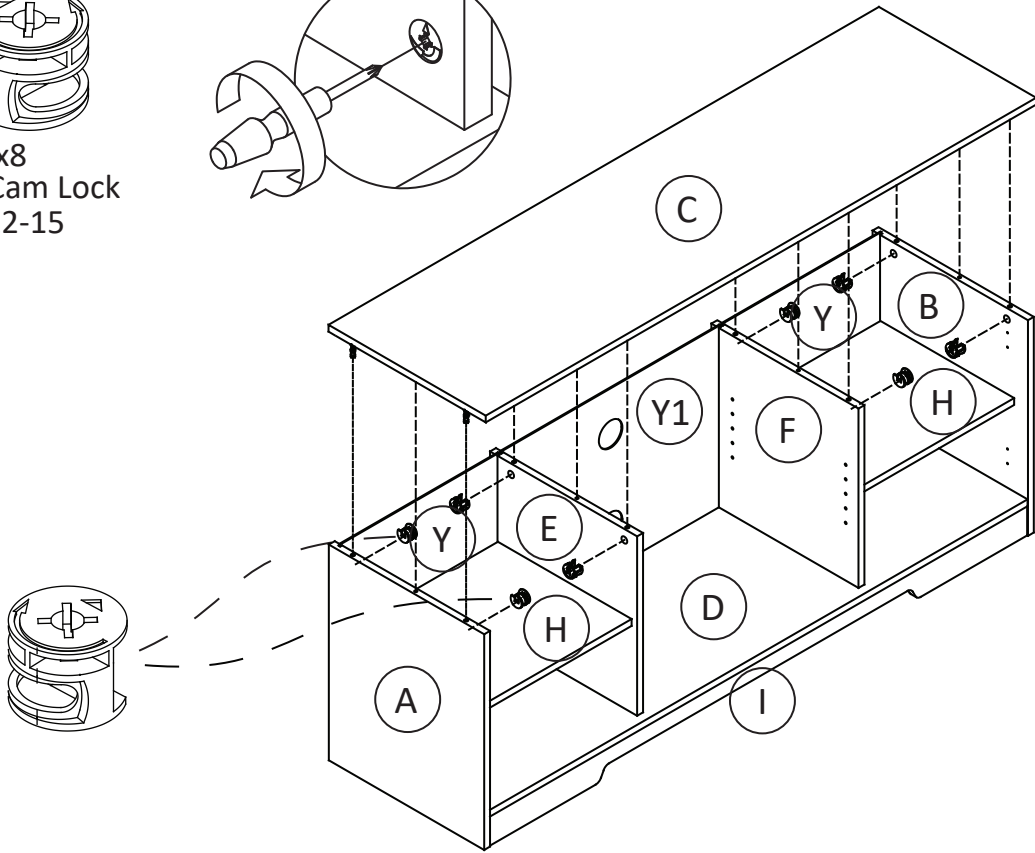
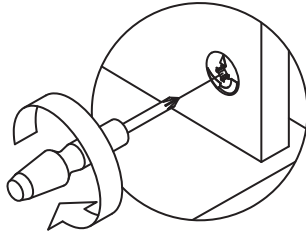
Step 10



Step 11



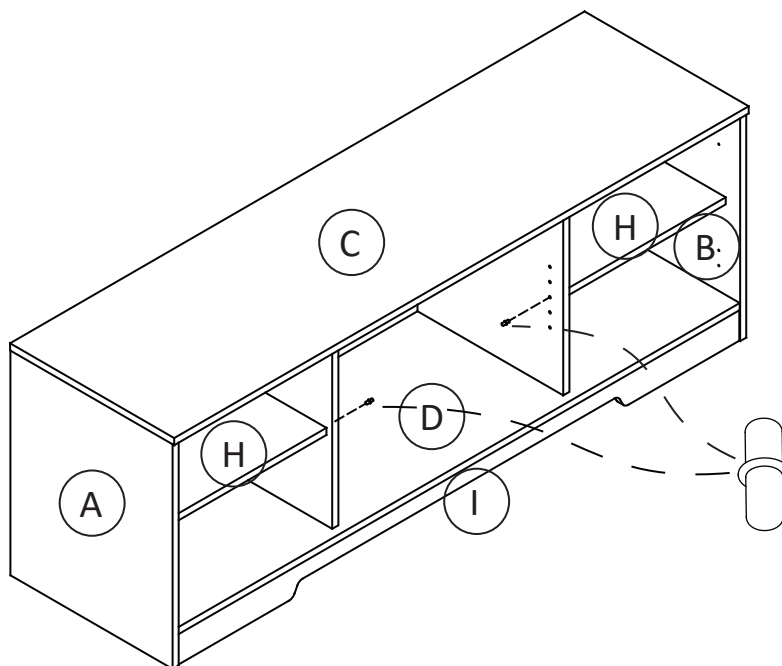
x8
Cam Lock
12-15



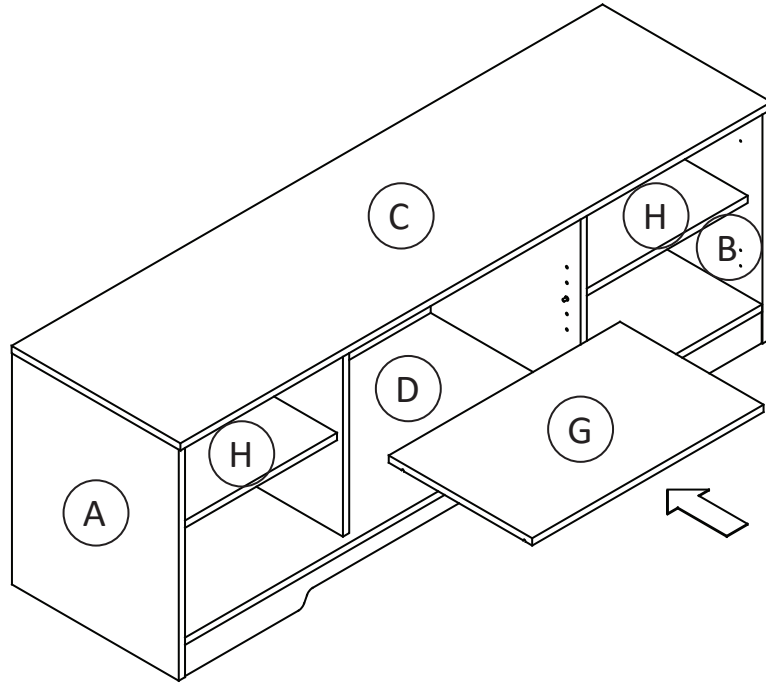
Step 12



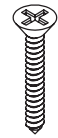
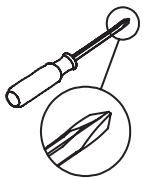
x4
Shelf Stopper



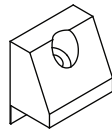
Step 13



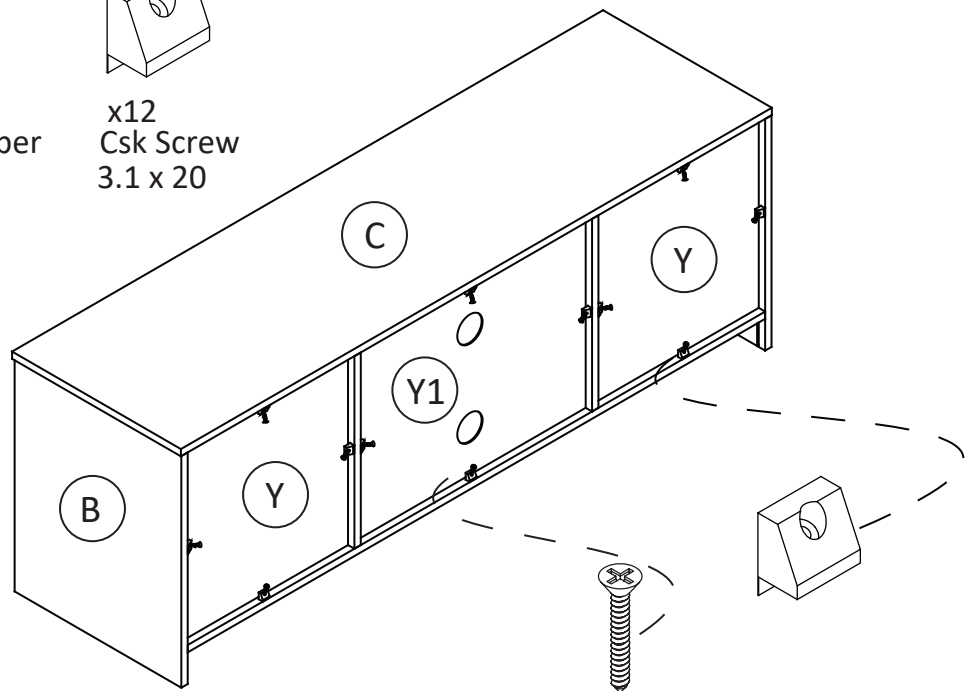
Step 14



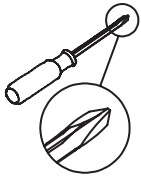
x12
Backply Stopper



x12
Csk Screw
3.1 x 20



Step 15



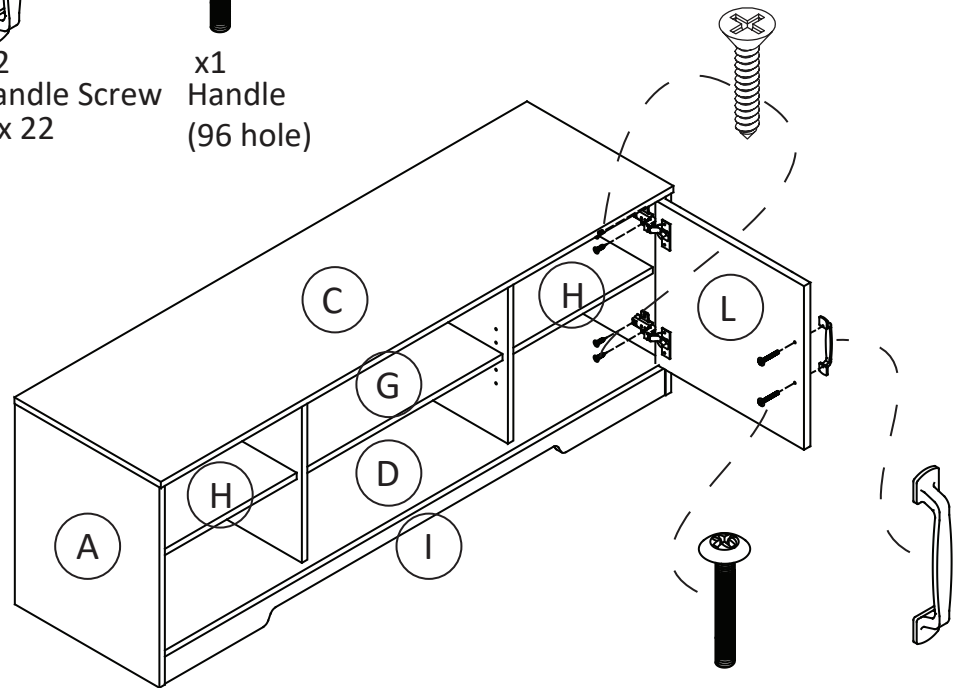
x4
Csk Screw
3.5 x 15



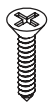
x2
Handle Screw
4 x 22



x1
Handle
(96 hole)



Step 16



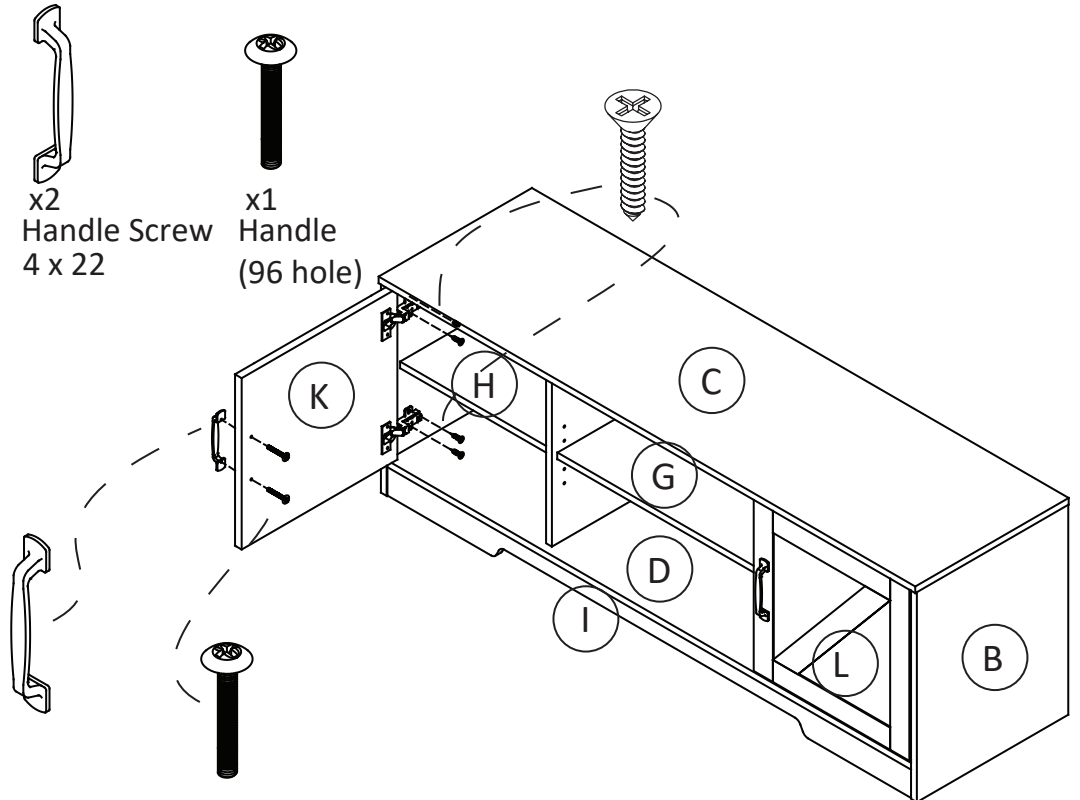
x4
Csk Screw
3.5 x 15



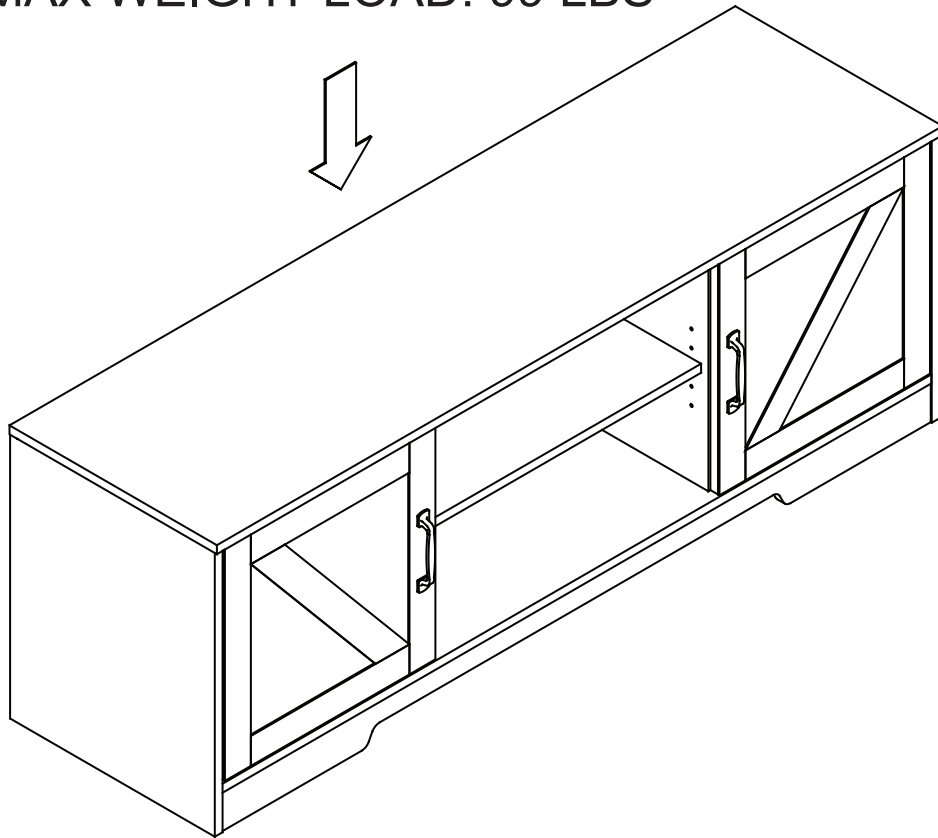
x2
Handle Screw
4 x 22



x1
Handle
(96 hole)



MAX WEIGHT LOAD: 99 LBS



Tips for Proper Care and Maintenance of Particle Board Furniture

Understanding Particle Board

Particle Board Composition:

Particle board is composed of wood particles, such as sawdust and wood chips, bonded together with adhesive under high pressure. The surface of particle board is typically covered with a laminate or veneer to enhance its appearance.

Sensitivity to Moisture:

One of the primary vulnerabilities of particle board is its sensitivity to moisture. Excessive exposure to water or high humidity can cause swelling, warping, or delamination.

Cleaning and Maintenance Guidelines

1. Dust Regularly:

Regular dusting is crucial to prevent the accumulation of dirt and grime on particle board surfaces. Use a soft, dry cloth or a duster to gently remove dust.

2. Avoid Excess Water:

Particle board should not be cleaned with excessive water or harsh cleaning agents. Use a slightly damp (not wet) cloth with a mild cleaner specifically designed for wood surfaces.

3. Protect from Direct Sunlight:

Prolonged exposure to direct sunlight can cause discoloration or fading of the particle board surface. Position furniture away from direct sunlight or use window coverings to reduce exposure.

4. Use Coasters and Mats:

Protect particle board surfaces from hot items, spills, and scratches by using coasters, placemats, or felt pads under objects. This precaution prevents damage and preserves the furniture's appearance.

5. Repair Minor Damage Promptly:

Address minor damage such as scratches or small chips promptly. You can use touch-up markers or putty to fill in and conceal minor imperfections. Ensure that the repair materials match the furniture's colour and finish.