

36" LEFT OFFSET CABINET

BASE CABINET DIMENSIONS

36" W x 21.5" D x 33.5" H



FEATURES

- Solid wood frame with engineered wood panels
- Dovetail drawers and joints
- Soft closing doors & drawers

HARDWARE FINISHES*



Brushed Nickel Satin Brass Matte Black Polished Chrome

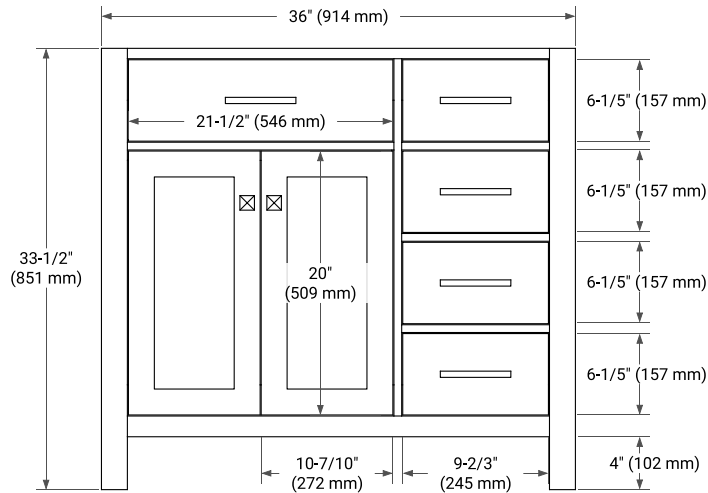
Hardware comes preinstalled with the illustrated option. Other finishes are available on our online store if you prefer a different one.

AVAILABLE COLORS

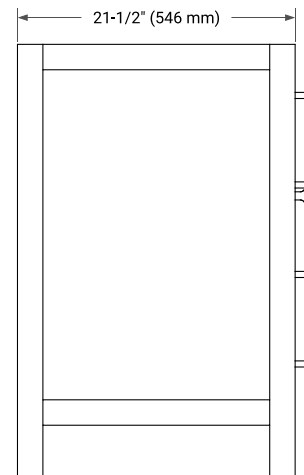


White Grey

FRONT VIEW



SIDE VIEW



PLAN VIEW

