

## CARE AND MAINTENANCE

Store outdoor furniture indoors or cover well when not in use.

Remove wooden furniture from standing water. Dust regularly with small brush or vacuum

Spills should be taken care of immediately before they harden or stain with a slightly dampened sponge.

## NOTICE

- \* Please make sure that you have all parts indicated before you begin assembly of this item
- \* This item should be assembled on a soft surface to prevent scratching the finish during assembly
- \* This item may require periodic tightening

 **SAFAVIEH**  
O U T D O O R


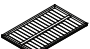

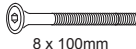

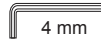
**Weight Capacity : 40 Ibs**

**Warning : Do not stand on table**

**Warning : Do not over torque bolts / screws**

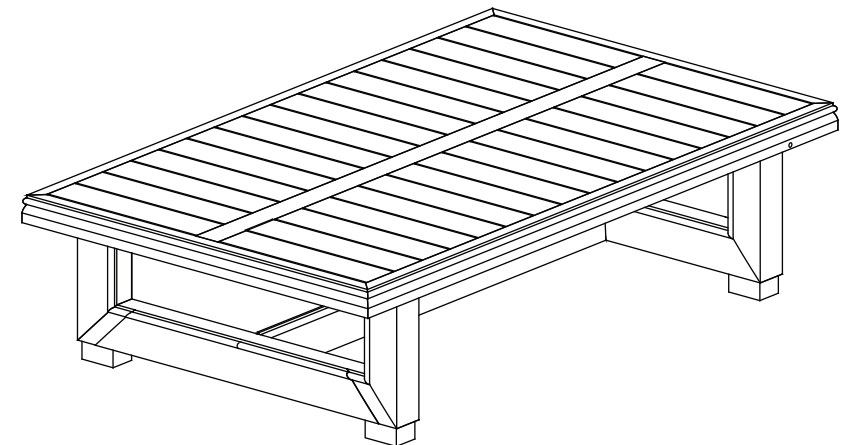


## Part List and Hardware List

PIECE	DESCRIPTION	PICTURE	QUANTITY
A	legs Frame		2X
B	Top table		1X
C	Connection leg frame		1X
D	Allen bolt L	 8 x 100mm	8X
E	Screw	 6 x 60mm	2X
F	Allen key	 4 mm	1X

Model# CPT1001A

Product Dimensions:30.7" D x 50" L x 12,99" H

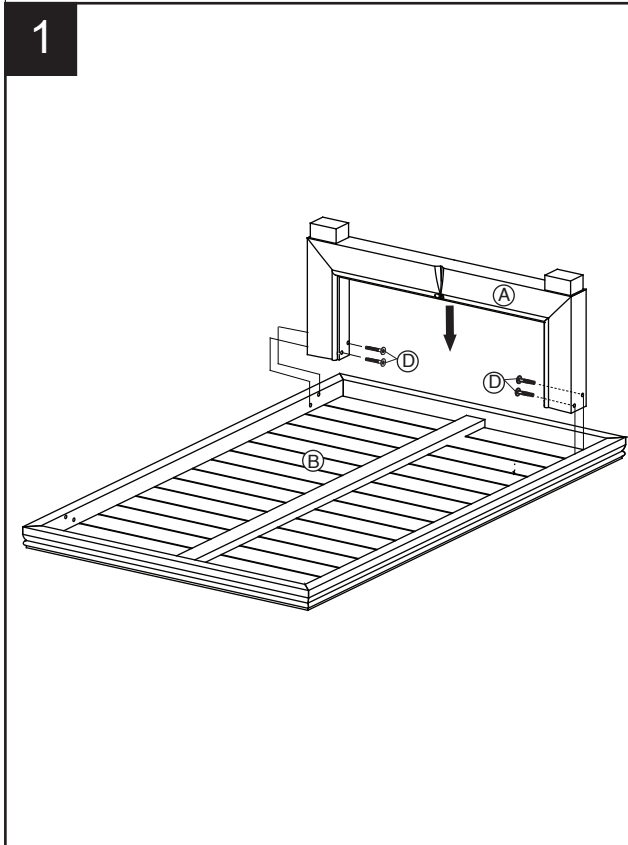


## PREPARATION

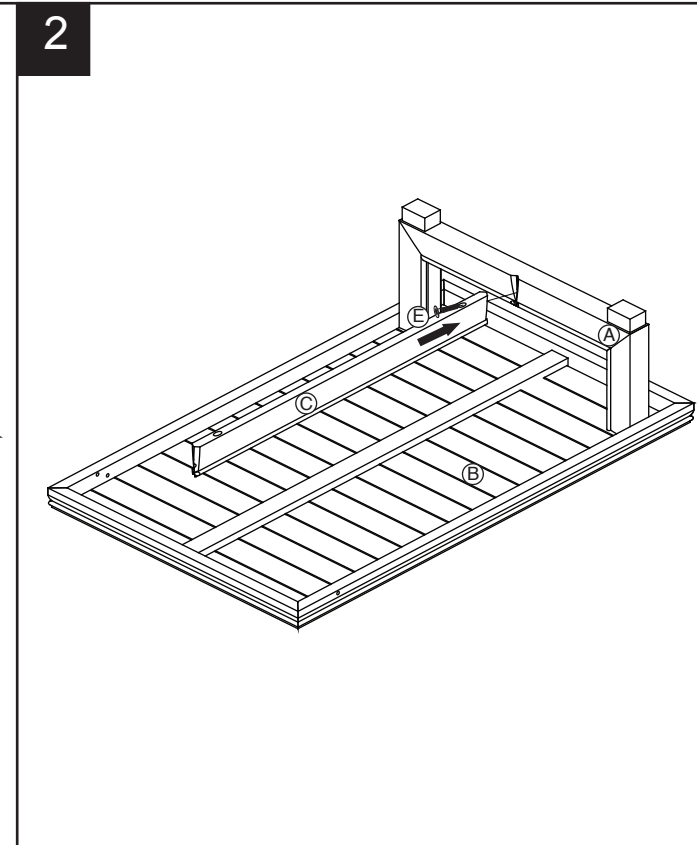
Before beginning assembly of product, make sure all parts are present. Compare parts with package contents list and hardware contents list. If any part is missing or damaged, do not attempt to assemble the product.

Estimated Assembly Time: 30 minutes.

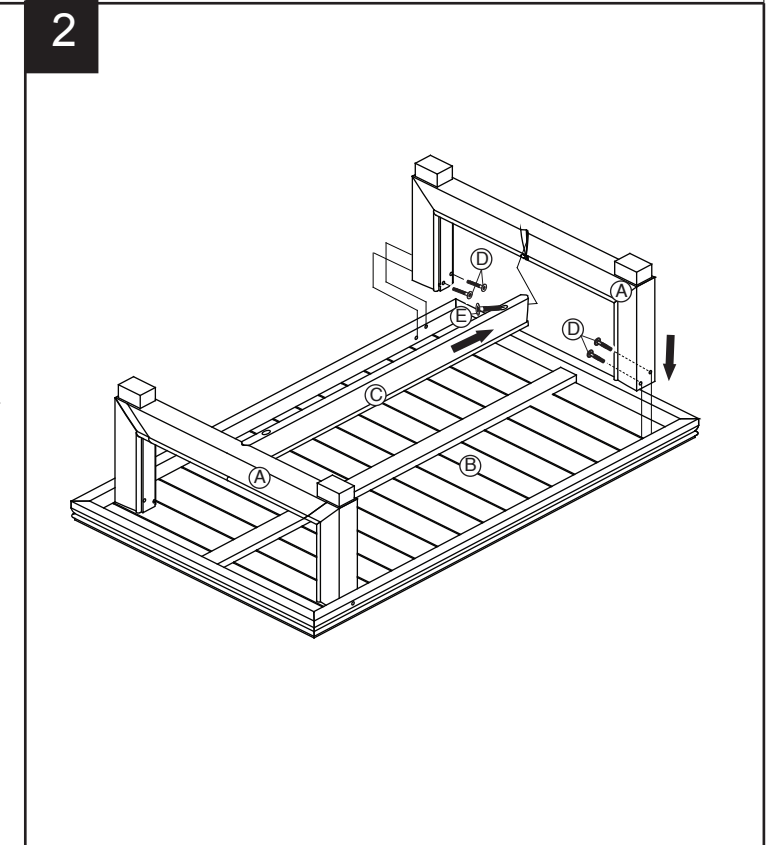
Tools Required for Assembly (included): Allen Key



Step 1  
Attached (A) to (B), using (D) tighten by (F)



Step 2  
Attached (C) to (A). Using (E) tighten by (F)



Step 3  
Attached (A) to (B),(C). Using (D),(E) tighten by (F).