



Model: MY-2133、WY-MY21332024-STM、WM-MY21330918-STM  
 MY-2133-10R、WY-MY2133-10R2024-STM、WM-MY2133-10R0918-STM  
 MY-2133-12Black、WY-MY2133-12Black0012024-STM  
 WM-MY2133-12Black0020918-STM

# One-Piece Toilet

## Installation Guide



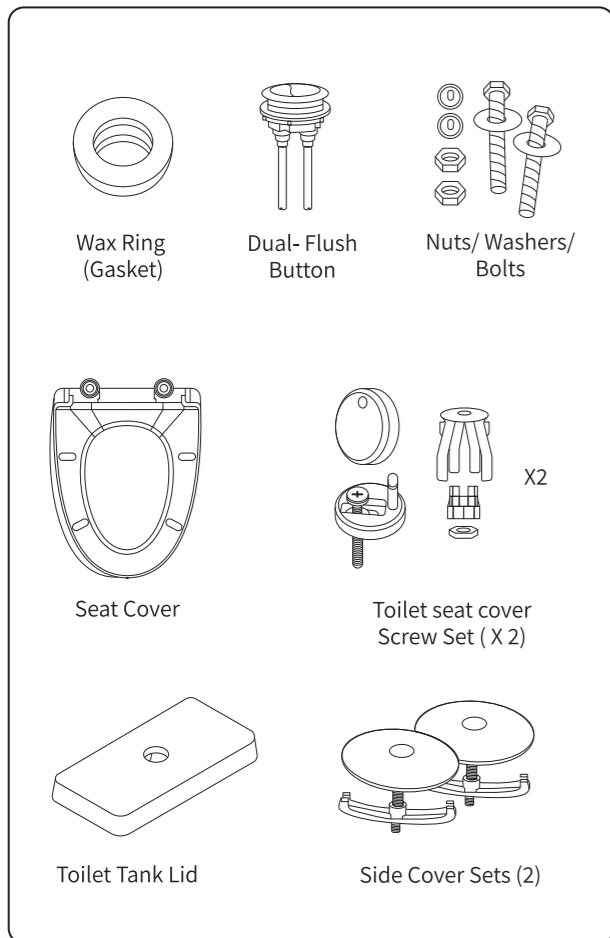
### Prior to Installation

Carefully remove the toilet from the packaging, ensuring that no parts are damaged. If you encounter any issues, please contact us at [admin@sotomo.us](mailto:admin@sotomo.us).

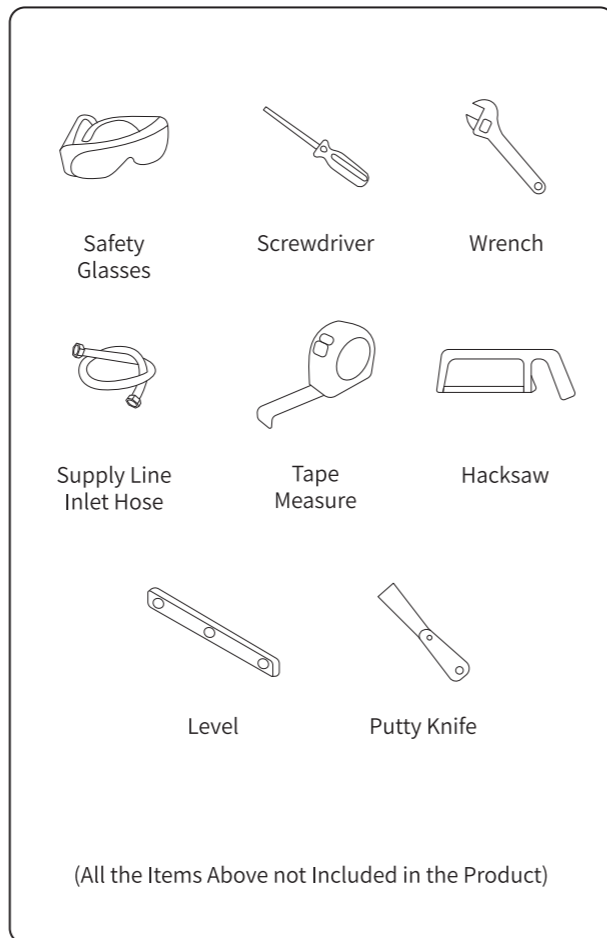
Accurately measure the dimensions in accordance with the provided instructions and comply with relevant plumbing and building codes.

For your safety, use appropriate tools and wear protective equipment. At least two people are required since the product is fragile. SOTOMO recommends hiring a licensed professional for all product installations to prevent discrepancies and ensure liability.

### Included Accessories



### Suggested Tools & Materials

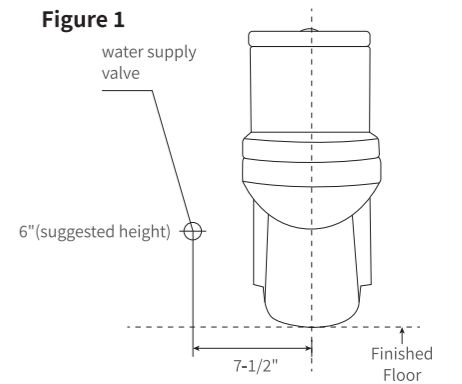


## Toilet Installation Instructions

### Step 1 (optional): Remove the Old Toilet

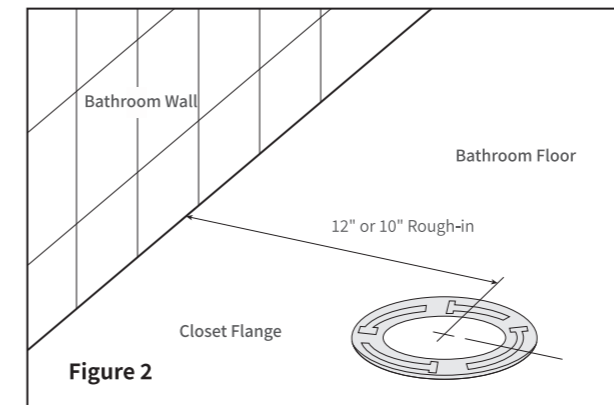
- 1 Turn off the water supply. Make sure the water supply valve is shut off before operation.
- 2 Flush the toilet to empty the tank. Remove any water left in the tank or bowl.
- 3 Disconnect the supply line from the tank.
- 4 Remove decorative caps. Unscrew nuts that attach the toilet to the floor.
- 5 Remove the toilet.
- 6 If you are replacing the valve shut main water supply first.
- 7 Remove the old closet bolts from closet flange. Clean old wax, putty, etc. from base area.

**IMPORTANT NOTE REGARDING WATER SUPPLY:** Before installation ensure that the water supply valve is located more than 7 1/2" from the center of the drain to the center of the water supply valve on either side (see Figure 1).  
**NOTE:** This is a true 12" rough-in toilet from finished wall to center of the drain (no less than 12").



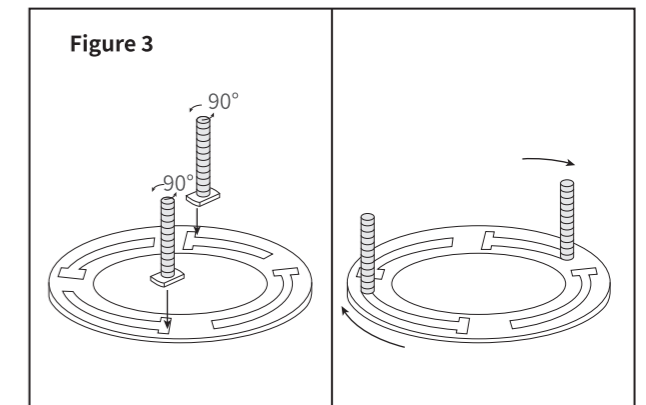
### Step 2: Rough-In the Toilet

Measure the wall from behind the toilet to the middle of the closet flange. Your rough-in measurement should be 12" or 10". (see Figure 2)



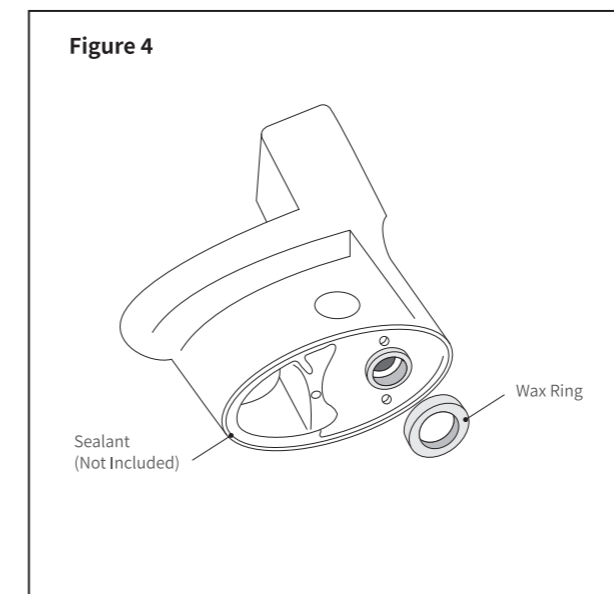
### Step 3: Install Closet Bolts

Place and slide two bolts into the closet flange channel that is parallel to the wall. (see Figure 3)



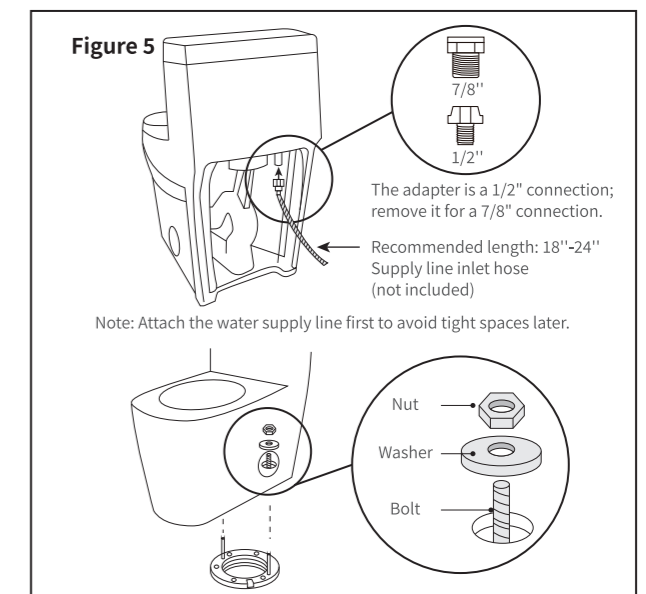
### Step 4: Install Wax Ring

Invert the toilet on the floor (use a cushion to prevent damage), and install the wax ring evenly around the waste flange with the tapered end of the ring facing the toilet. Apply a thin bead of sealant around the toilet base. (see Figure 4)



### Step 5: Place the Toilet onto the Flange

First, connect the flexible water supply hose (not included) to the inlet valve, finger-tight, but do not connect it to the water shut-off valve yet. Choose the appropriate 1/2" or 7/8" (adapter provided) supply line inlet hole based on the size of your supply line. Then, place the toilet on the flange over the bolts. Remove the floor waste opening plug, and then place washers and nuts onto the bolts.

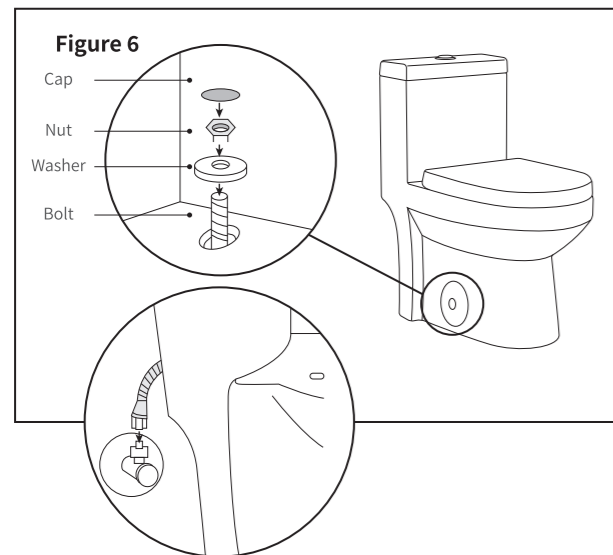


## Step 6: Install Toilet

Alternate tightening the nuts until the toilet is securely sealed to the floor, being cautious not to over-tighten and risk cracking the ceramic.

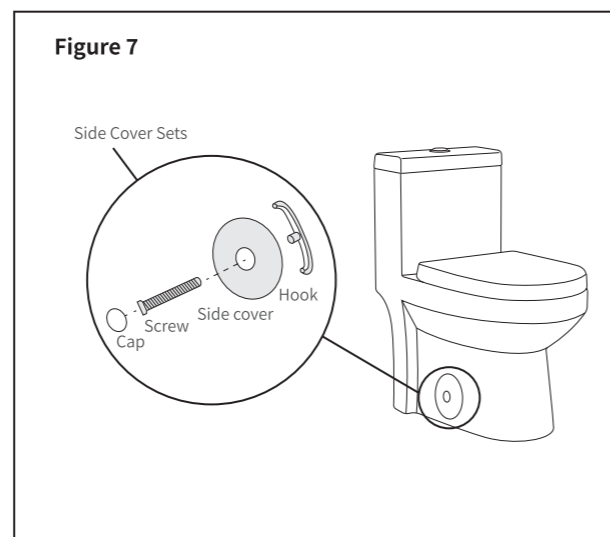
Clean off any excess sealant around the base and apply cover caps to hide installation holes.

Connect the water supply and test for functionality and leaks. (see Figure 6)



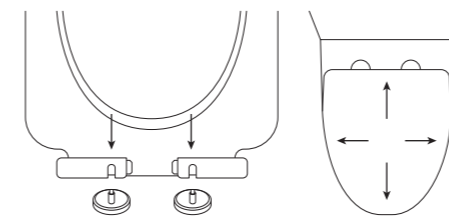
## Step 7: Install Side Cover Caps

Use the screwdriver to tighten the side covers. (see Figure 7)



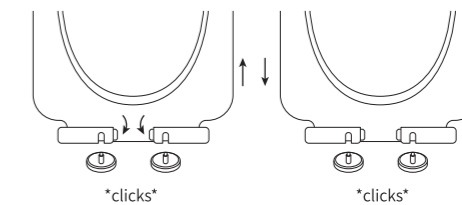
## Step 5: Adjust and Attach the Seat

Attach the seat onto the hinges, once you hear a 'click' sound, it means the seat is installed correctly onto the hinges. (If the cover is not properly aligned, adjust it as needed following step 4 to ensure proper alignment).



## Toilet Seat Usage

To detach, press the central button until it clicks and lift straight up. To reattach, align the hinge posts with the reference marks on the seat and push down until it clicks.

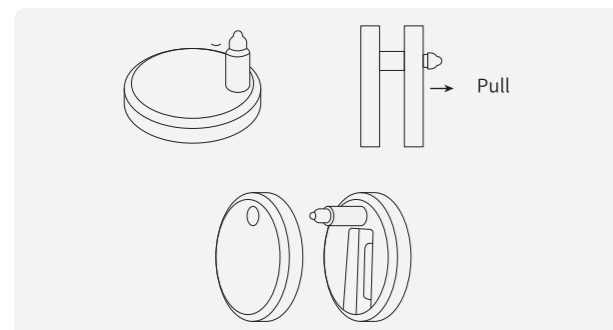


## Installation Instructions for Toilet Seat

(We have pre-installed the first three steps at the factory.)

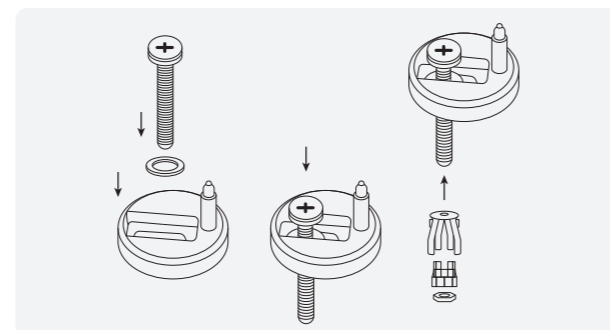
### Step 1: Disassemble

Separate the cover cap and the hinge.



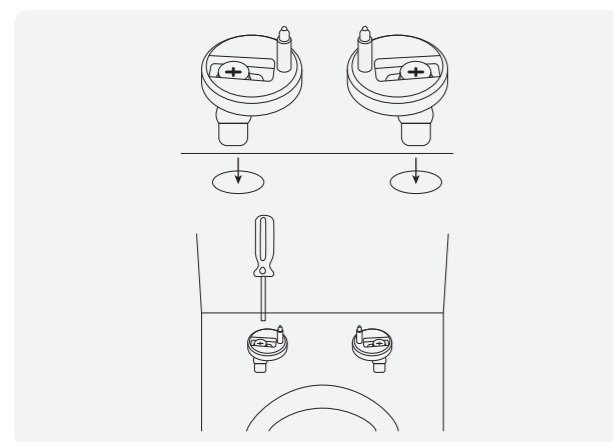
### Step 2: Assemble the Hinges

Insert the screw and nut into the hinge hole. Attach the blind hole screw fixing to the bottom of the screw.



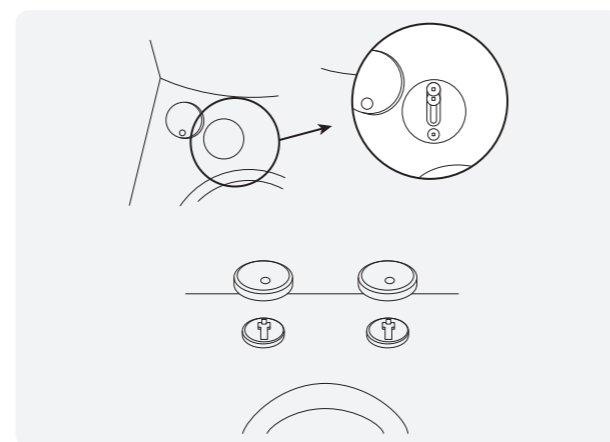
### Step 3: Attach the Hinges

Insert the hinges with the blind holes screw fixings attached into the corresponding holes on the toilet bowl. Lightly tighten the hinges using a screwdriver, leaving room for adjustments later.



### Step 4: Adjust and Cover the Hinges

Attach the seat onto the hinges and adjust it as needed for proper alignment. Ensure that the hinges are at the most suitable angle for the correct installation of the toilet seat. Then, securely fasten the hinges and place the covers onto the hinges.



## Warranty

ONE YEAR LIMITED WARRANTY, SOTOMO products are crafted with quality materials and excellent craftsmanship to provide our customers with beautiful, durable, long-lasting products. Should any defects in materials or craftsmanship under regular use be discovered within the first year of installation, SOTOMO will provide replacement parts at no charge or, at its discretion, replace any product or part of the product deemed defective under normal installation, use, service, or maintenance. This warranty applies only to the original purchaser. Proof of purchase will be required in the instance of a claim.

SOTOMO recommends all installations of SOTOMO products to be conducted by a licensed, professional plumber or contractor. SOTOMO will not be held responsible for any damage or product failure due to improper installation, misuse, or failure to utilize a licensed professional for installation. SOTOMO is not responsible for any installation or removal costs.

## Garantía

GARANTÍA LIMITADA DE UN AÑO, Los productos de SOTOMO están fabricados con materiales de calidad y excelente artesanía para brindar a nuestros clientes productos hermosos, duraderos y de larga duración. Si se descubren defectos en materiales o artesanía bajo uso regular durante el primer año de instalación, SOTOMO proporcionará piezas de repuesto sin cargo o, a su discreción, reemplazará cualquier producto o parte del producto que se considere defectuoso bajo instalación, uso, servicio o mantenimiento normales. Esta garantía se aplica solo al comprador original. Se requerirá prueba de compra en caso de reclamo.

SOTOMO recomienda que todas las instalaciones de productos SOTOMO sean realizadas por un fontanero o contratista profesional con licencia. SOTOMO no se hará responsable de ningún daño o fallo del producto debido a una instalación incorrecta, uso indebido o falta de uso de un profesional con licencia para la instalación. SOTOMO no es responsable de ningún costo de instalación o desmontaje.

## This One Year Limited Warranty Will Be Voided If:

- The installation recommendations were not followed by the installer.
- The product has been moved from its initial place of installation.
- The product has in any way been modified from its packaged state.
- The product has been subjected to improper maintenance, abuse, misuse, excessive use of chemicals, accidents, or other damages, etc.

SOTOMO makes no implication that its products comply with any local building or plumbing codes. It is the consumer's responsibility and obligation to determine local code compliance prior to and during installation. This warranty extends only to the original purchaser and first consumer.

SOTOMO is not responsible for any special, incidental, or consequential damages associated with the installation, replacement, return, or use of the original purchaser's product. This includes, but is not limited to: freight costs, labor, travel time, lost profit, home damages, and other contingent liabilities and costs (including, without limitation, costs associated with professionals or experts, investigations, audits, analyses, attorneys, and any other professional/hired services).

The SOTOMO warranty is a comprehensive and explicit limit of liability. All items not disclosed within the warranty are not addressable within the responsibility of SOTOMO. Certain states have variances regarding implied warranties; in those situations, we remain fully compliant.

If you have any questions or concerns, please contact us directly at [admin@sotomo.us](mailto:admin@sotomo.us).



**WARNING:** Contents of your order may contain sharp and possibly other harmful pieces and may cause hazards to children and adults. SOTOMO is not responsible in any way for personal damages.

## Thanks for Choosing SOTOMO

At SOTOMO, our mission is to provide the world with a healthy, hygienic, and comfortable lifestyle.

We put our heart into designing each and every product, carefully balancing functionality, aesthetics, and materials. Our goal is to deliver superior products to our consumers, and we are truly grateful that you have chosen our products.

We look forward to hearing from each and every customer, and we are passionate about providing you with the best service possible. Please feel free to reach out to us at [admin@sotomo.us](mailto:admin@sotomo.us) if you have any questions.

Thank you for your trust and support.

## Brand benefits. Please note!

Please visit our website <https://sotomohome.com/> directly or scan the QR code to access our SOTOMO brand website. Enter your product serial number and order information to receive lifetime customer service and extend your warranty.

## Beneficios de la marca. ¡Por favor, tenga en cuenta!

Por favor, visite nuestro sitio web <https://sotomohome.com/> directamente o escanee el código QR para acceder a nuestro sitio web de la marca SOTOMO. Ingrese el número de serie de su producto y la información de su pedido para recibir servicio al cliente de por vida y extender su garantía.

