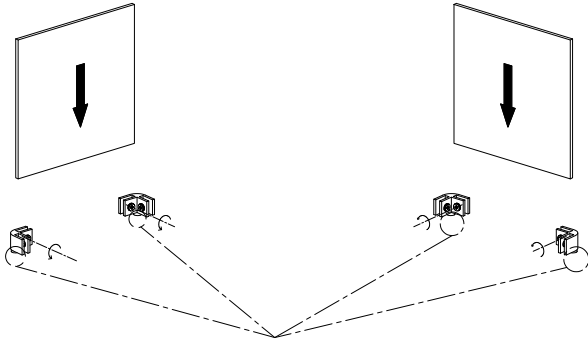
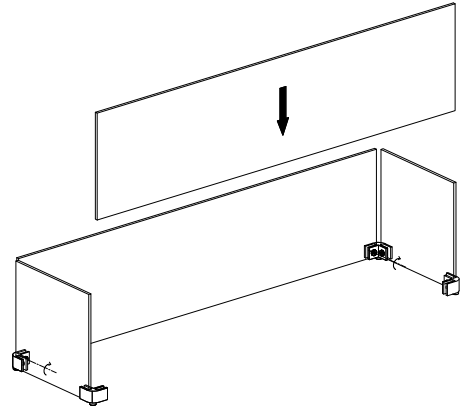


**A**

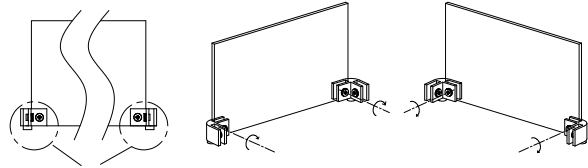
Loosen the screw to the position where the glass can be put down



Pay attention to the installation direction, the foot pad is downward

**D**

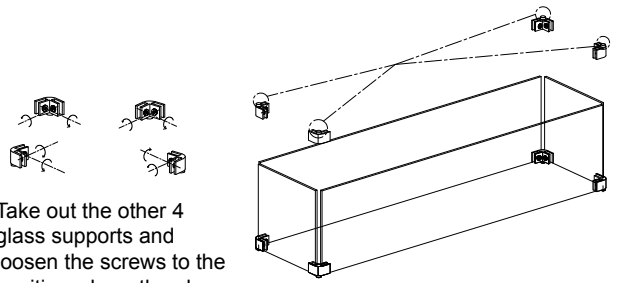
Put down another piece of long glass, tighten the screw to ensure that the glass is flush with the bottom of the glass bracket (not lower than the upper surface of the rubber pad)

**B**

After ensuring that the glass is flush with the bottom of the glass bracket (not lower than the upper surface of the rubber pad), tighten the screws

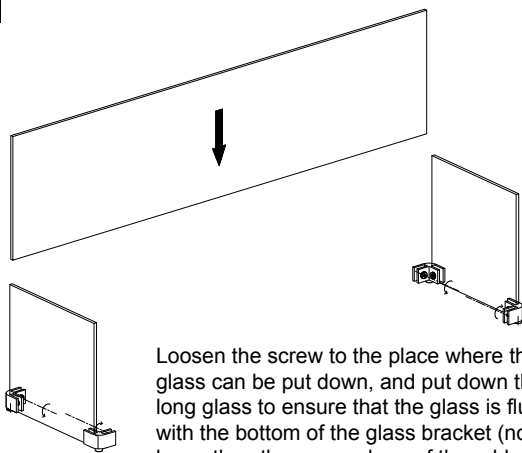
**E**

Pay attention to the installation direction, with the foot pad upward

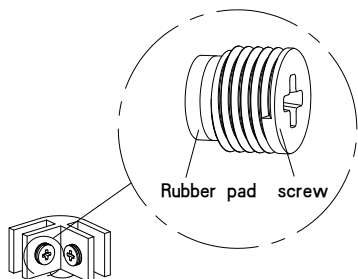
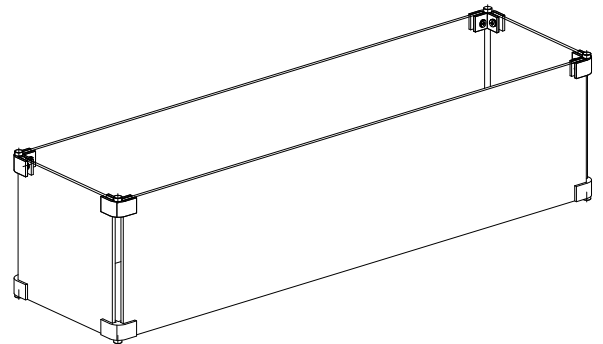


Take out the other 4 glass supports and loosen the screws to the position where the glass can be put down

Lower the glass support and tighten the screws

**C**

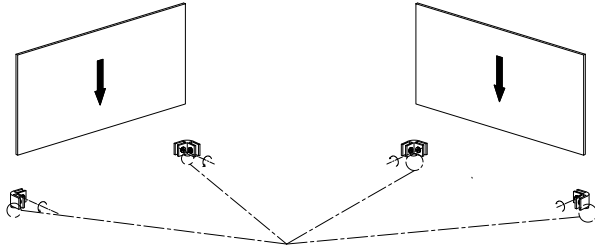
Loosen the screw to the place where the glass can be put down, and put down the long glass to ensure that the glass is flush with the bottom of the glass bracket (not lower than the upper plane of the rubber pad)

**F**

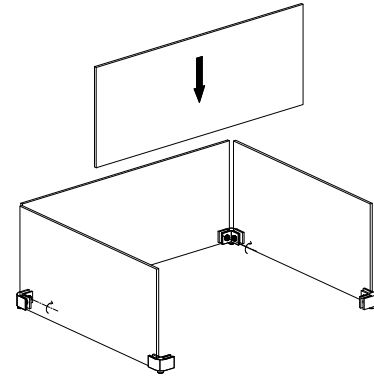
Note: before installing the glass clamp and glass, please carefully check whether the rubber pad on the screw of the glass clamp falls off. If there is no rubber pad on the screw, please do not install it first. After the spare rubber pad is sleeved on the screw, install the glass clamp and glass

**A**

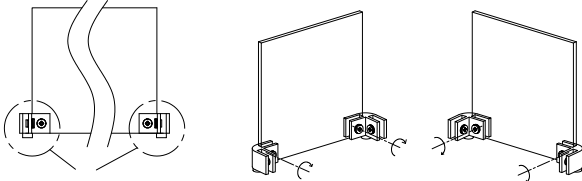
Loosen the screw to the position where the glass can be put down



Pay attention to the installation direction, the foot pad is downward

**D**

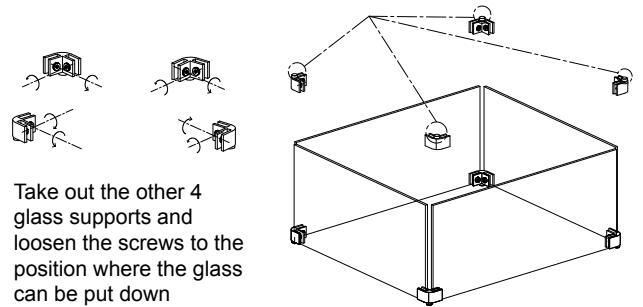
Put down another piece of long glass, tighten the screw to ensure that the glass is flush with the bottom of the glass bracket (not lower than the upper surface of the rubber pad)

**B**

After ensuring that the glass is flush with the bottom of the glass bracket (not lower than the upper surface of the rubber pad), tighten the screws

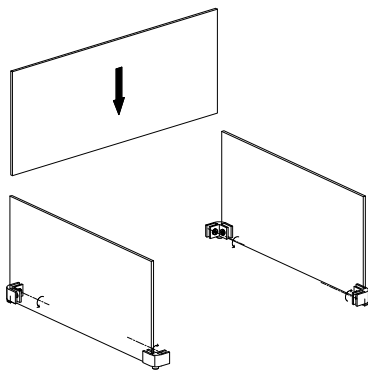
**E**

Pay attention to the installation direction, with the foot pad upward

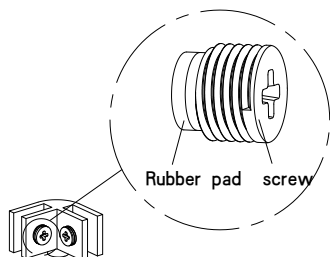
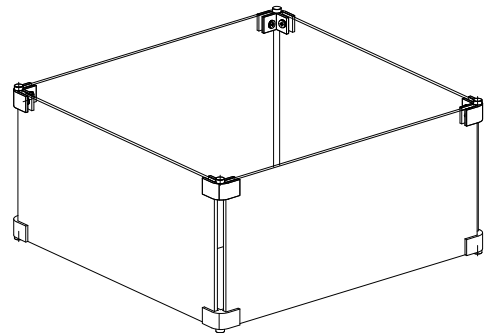


Take out the other 4 glass supports and loosen the screws to the position where the glass can be put down

Lower the glass support and tighten the screws

**C**

Loosen the screw to the place where the glass can be put down, and put down the long glass to ensure that the glass is flush with the bottom of the glass bracket (not lower than the upper plane of the rubber pad)

**F**

Note: before installing the glass clamp and glass, please carefully check whether the rubber pad on the screw of the glass clamp falls off. If there is no rubber pad on the screw, please do not install it first. After the spare rubber pad is sleeved on the screw, install the glass clamp and glass