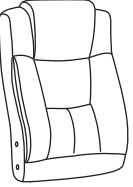

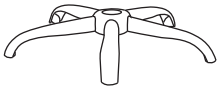

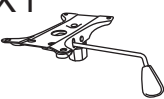
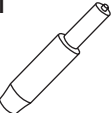





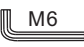


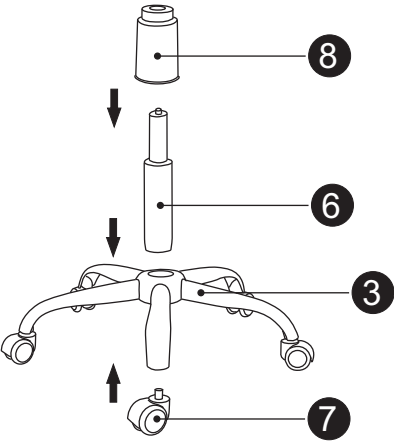
High- Back Executive Office Chair

PART LIST

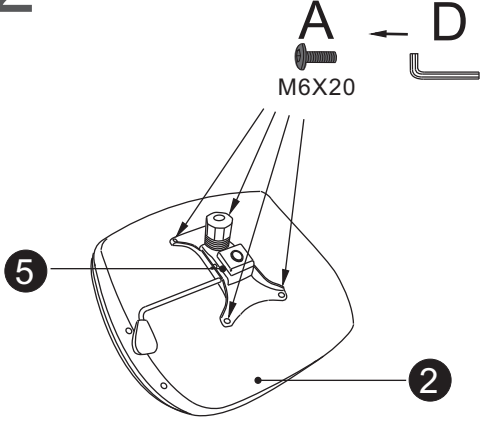
1 X1	
2 X1	
3 X1	
4 X2	
5 X1	
6 X1	
7 X5	
8 X1	
A X4	
B X8	
C X8	
D X1	

Assembly Instructions


1



2

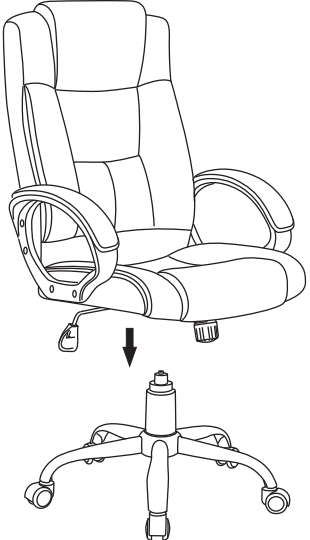


3



Please do not tight the screws until all screws lined up with hole and try to tight it loosely initially in all screws then tight a little bit more in all screws do not overnight one screw that will make other screws hard to tight but tight all screws firmly in the end

4



5

