

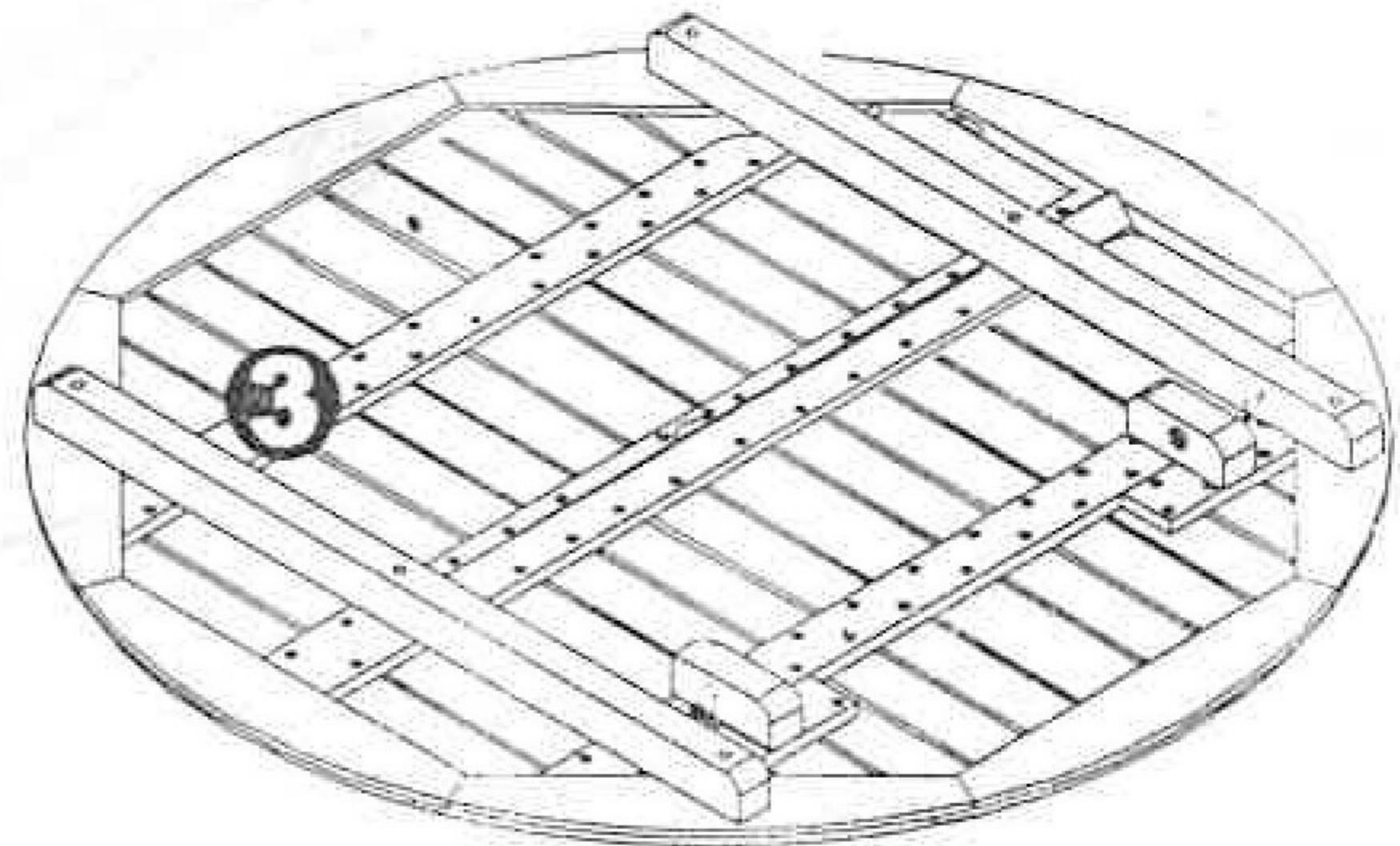
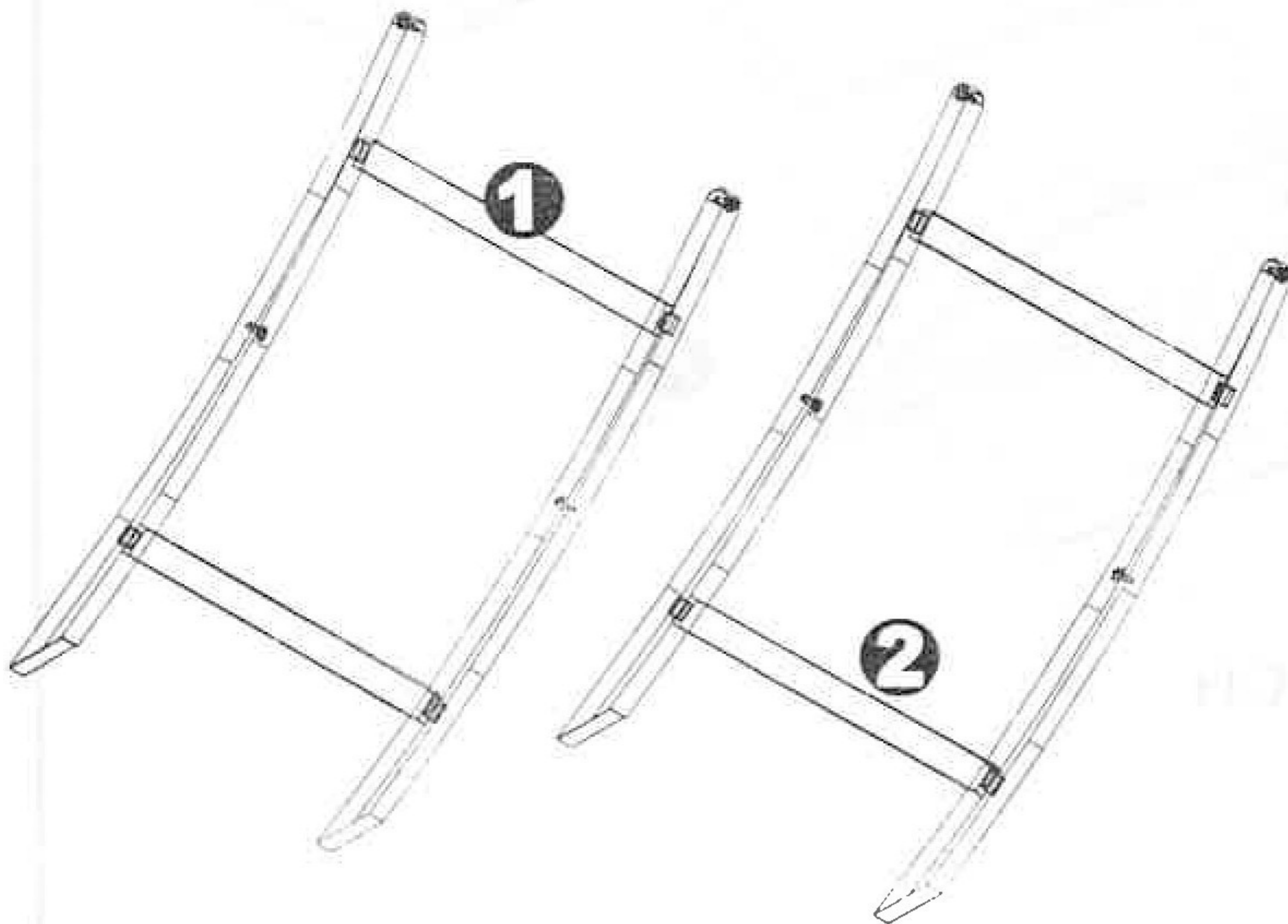
# ASSEMBLY INSTRUCTION

## Round Folding Table 38" D w /curved Legs

### IMPORTANT NOTE

- BEFORE ASSEMBLY, check that the quantities of the parts received match those on the parts list below. Carefully remove all the parts from the carton and put them individually on a soft cloth to prevent scratches or other damages occurring to the wood part.
- DO NOT TIGHTEN UP ALL THE BOLTS UNTIL EACH PART IS PROPERLY ASSEMBLED.
- TOOL REQUIRED: Hex Wrench (provided)
- You should keep Hex Wrench in the safe place as you may need to lighten up the Head Cap Bolts periodically in the future.

1 - Outer Leg Frame - Qty.01



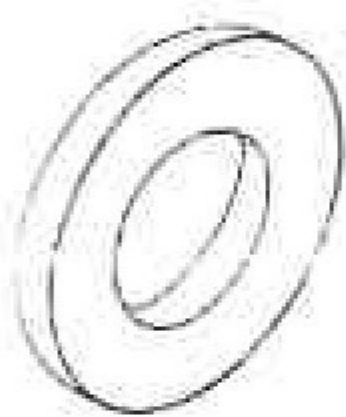
3 - Table Top - Qty.01

2 - Inner Leg Frame - Qty.01

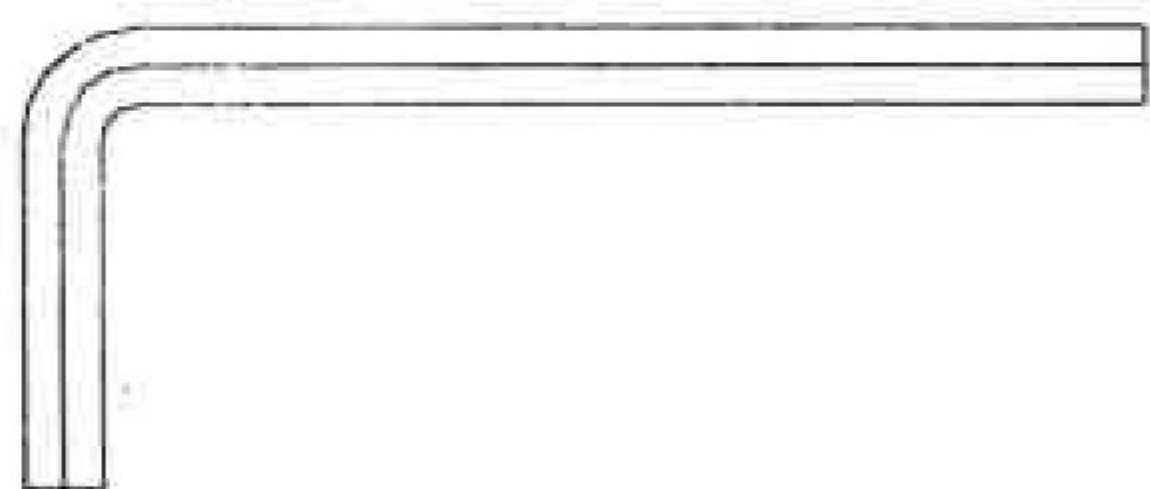
### HARDWARE



A - 40 mm Hex Bolt - Qty. 04



B - Flat Washer - Qty-02



C - Hex Wrench - Qty.01

