

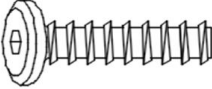




Part List

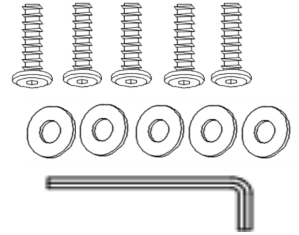
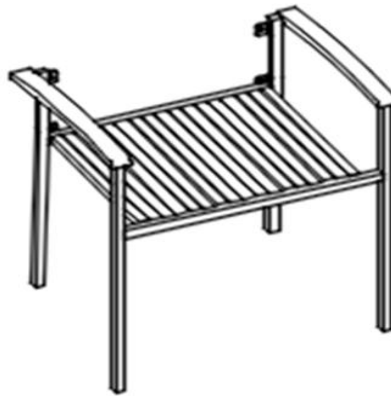
Label	Picture	Description	QTY
A		Backrest Panel	1
B		Seat Panel	1

Hardware

No.	Picture	Description	QTY
①		Bolt (M6x20mm)	5
②		Washer (Φ6,5x18x2mm)	5
③		Allen Key	1

Assembly Preparation

Before Beginning Assembly:



- Read instructions. cover to cover-



- Have 2 adults on hand for assembly-



- Do not assemble on flooring or carpet-



- Assemble on a clean non-marring surface (packing foam)-

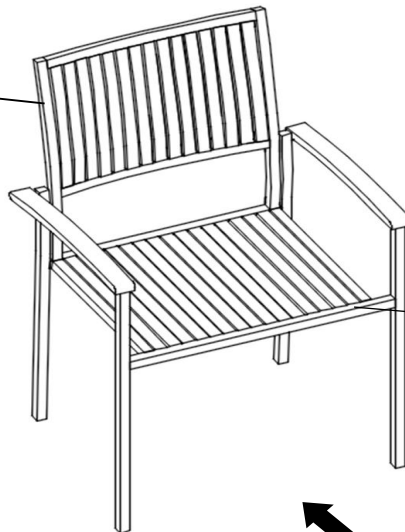


- Save all packaging until finished-

Assembly Steps

Overview

Backrest Panel (A)

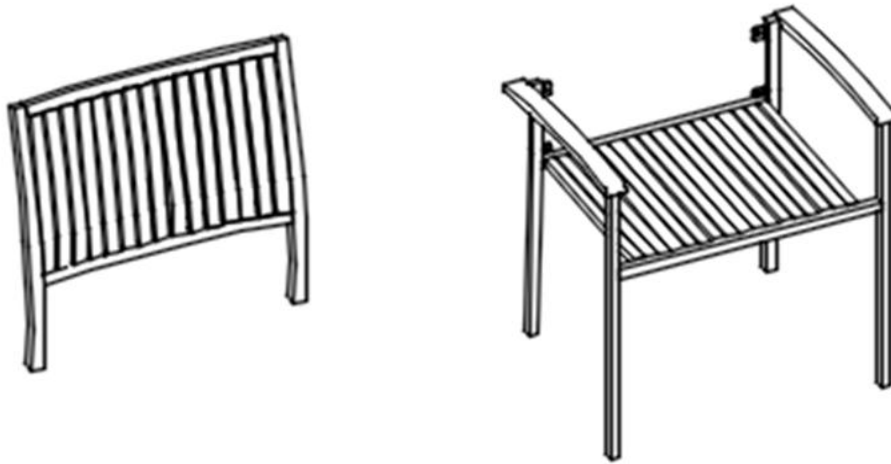


Seat Panel (B)

FRONT FACING

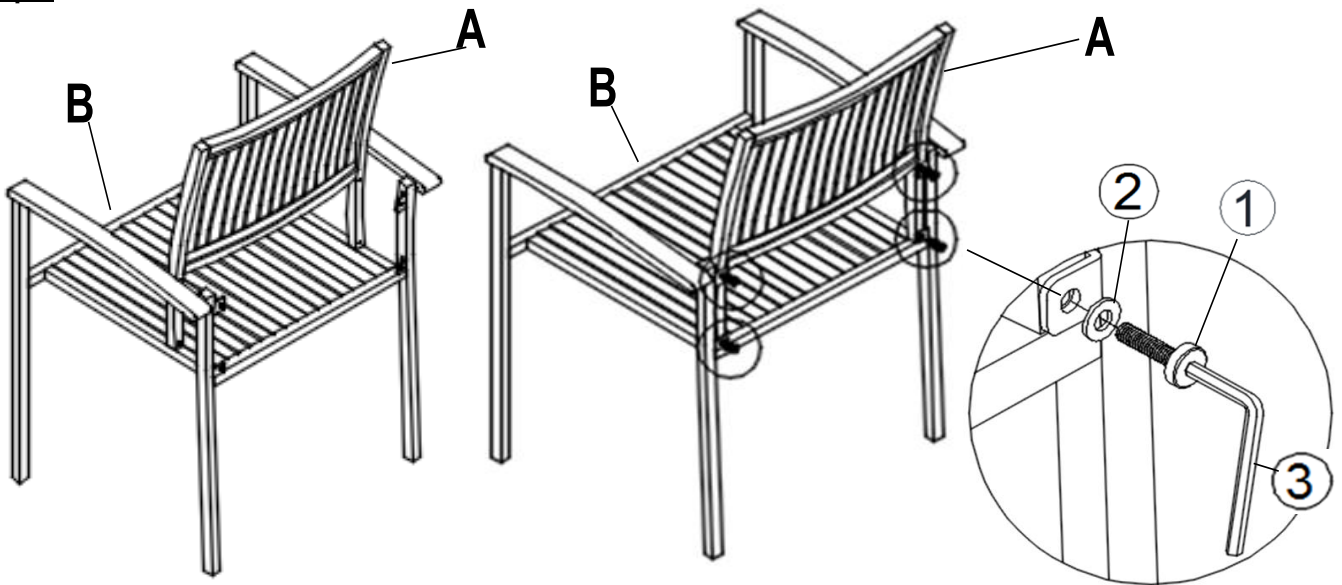
This Chair has multiple parts and may require up to 15 minutes to assemble. To give you an overview of the Chair parts, the above picture is to help you put the various parts into perspective. Please read through the instructions below to familiarise yourself with the parts and steps before assembly.

Step 1



Unpack and place all parts on a clean, non-marring surface.

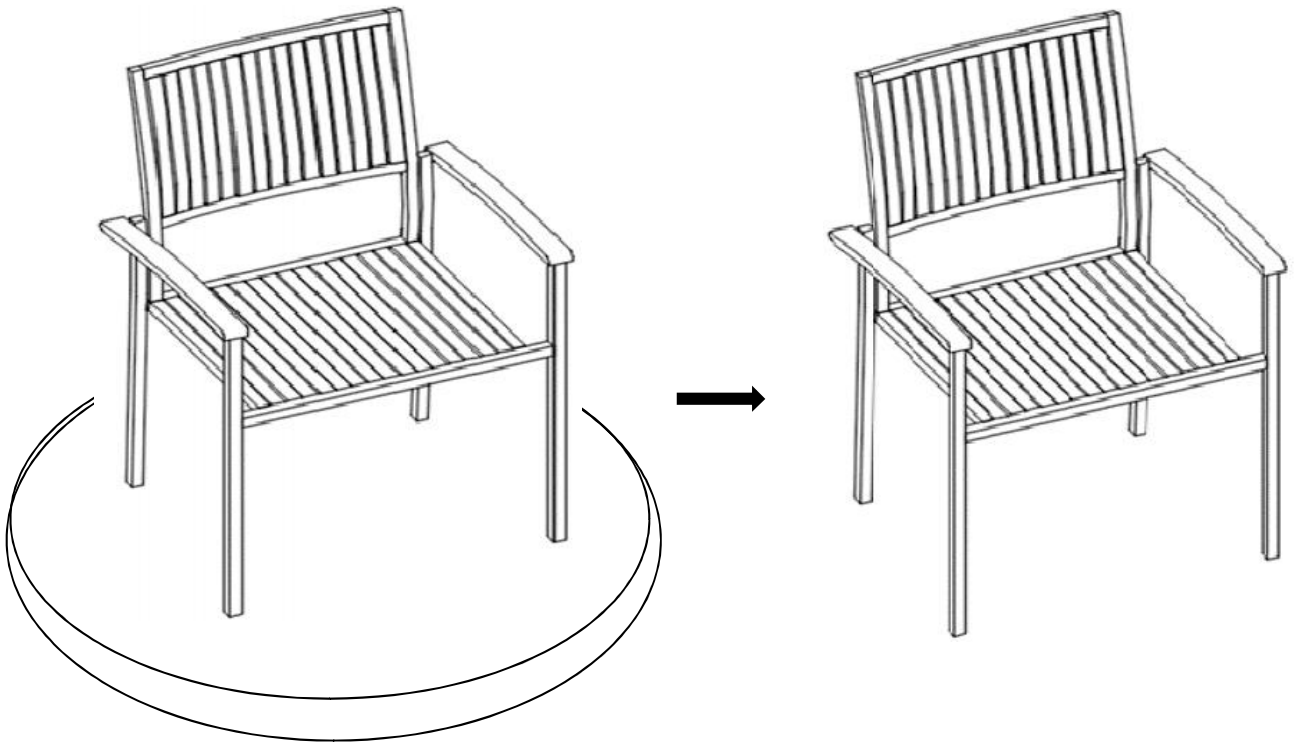
Step 2



Attach Backrest Panel(A) to Seat Panel(B), secure using Bolts (①) and Washer (②) with Allen Key (③) as shown above .










Do not fully tighten the Bolts.

Step 3



0 00 d 00 0 00 r 0000 00 00000000 0r 0 00 r d 0000 r 00 r
0 00 r 00 00 r 00 00 r d 00000 00 0 00 r 0 000 00 r 000 d 0
0 00 0 r 0000 r 0 00000 00 0000 00 d 0 00 r r 000 0000000 00000000
0 0000 00 r 0 00000 00 0 00 00 00 r 0000
0000 0 00000 0 r 0000 d 0 r 0000 d 00 00000 0 0000 00 d 0 r 00 0 0 0000000000 0000 r 0000000000 0000 r d
0 000 0000000 0 0000 00 d 0 r 00 00000 0000000000
D 000000000 000 00000 d 0 r 00 000 00 d 0000 0 000 00 00 r d 000 00000000
0000 r 0 r 00000 000000000000 00000 00 d 0 r 00 00 d 00000 00 000 0 00000 0 r 000000

Your Chair is ready for use.
This Chair can only be used on a flat, level surface.

- ⊗  ● Do not put hot items directly on furniture surface.
- ⊗  ● Do not clean furniture with harsh cleansers or polish.
- ✓  ● To obtain the longest lifespan of your outdoor products, minimizing exposure to direct sunlight is recommended.
- ⊗  ● Children should not climb or jump on the furniture.
- ⊗  ● Do not write on furniture without a padded barrier to protect the surface.
- ✓  ● To obtain the longest lifespan of your outdoor products, avoid extended and lengthy exposure to rain, snow, and direct sunshine. Whenever possible cover the product and /or place under patio or awnings.
- ⊗  ● Not for commercial use. For residential use only.
- ⊗  ● Stains may be removed with mild soap solution and damp cloth.
- ✓  ● Dust and pick-up spills using a clean, non-colored, lint-free cloth .