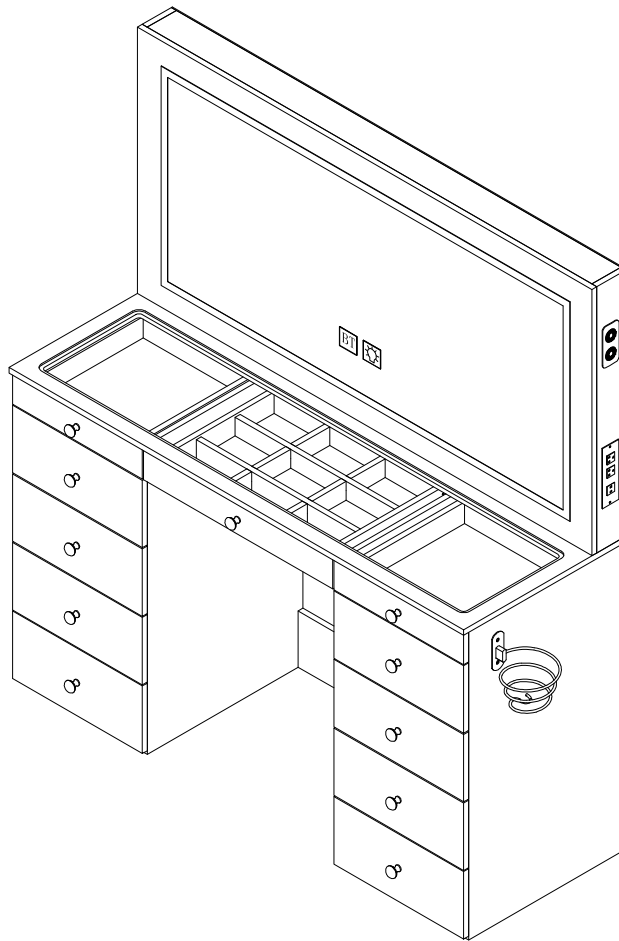


boahaus

ASSEMBLY INSTRUCTIONS



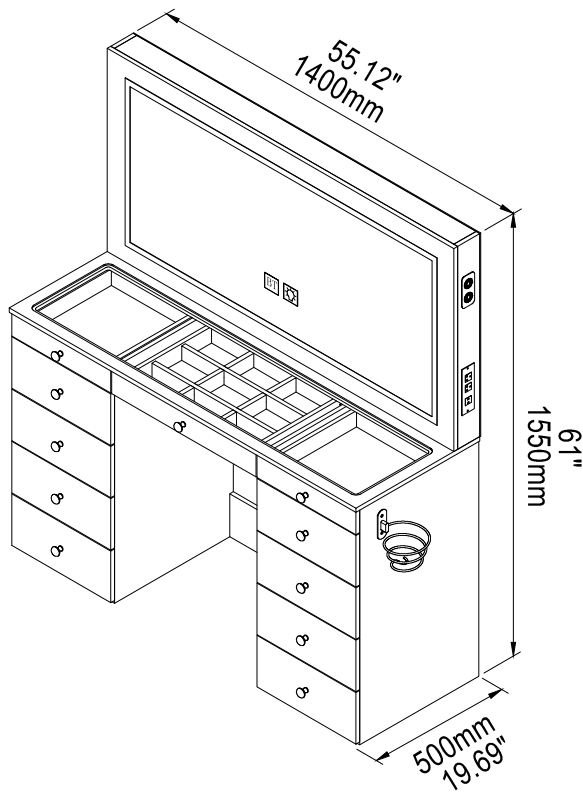
MODEL #: 1665

Approx. product weight 177.14lbs./80.35kg.*

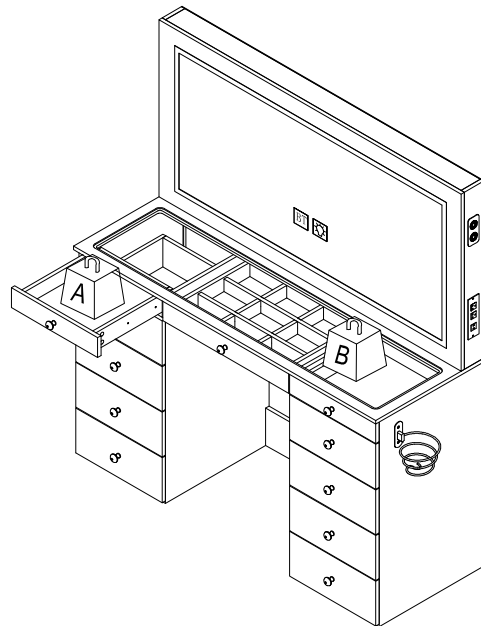
THIS INFORMATION BOOKLET CONTAINS IMPORTANT SAFETY INFORMATION. PLEASE READ AND KEEP FOR FUTURE REFERENCE.

Need some Help? Call +1 281-809-4043 or email contact@boahaus.com

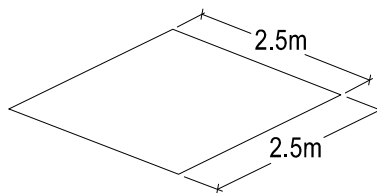
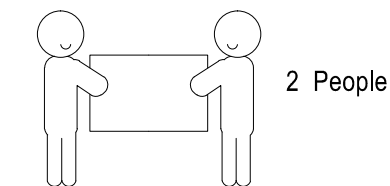
General Dimensions



Maximum weight supported



	LB	KG
A	11	5
B	6.6	3



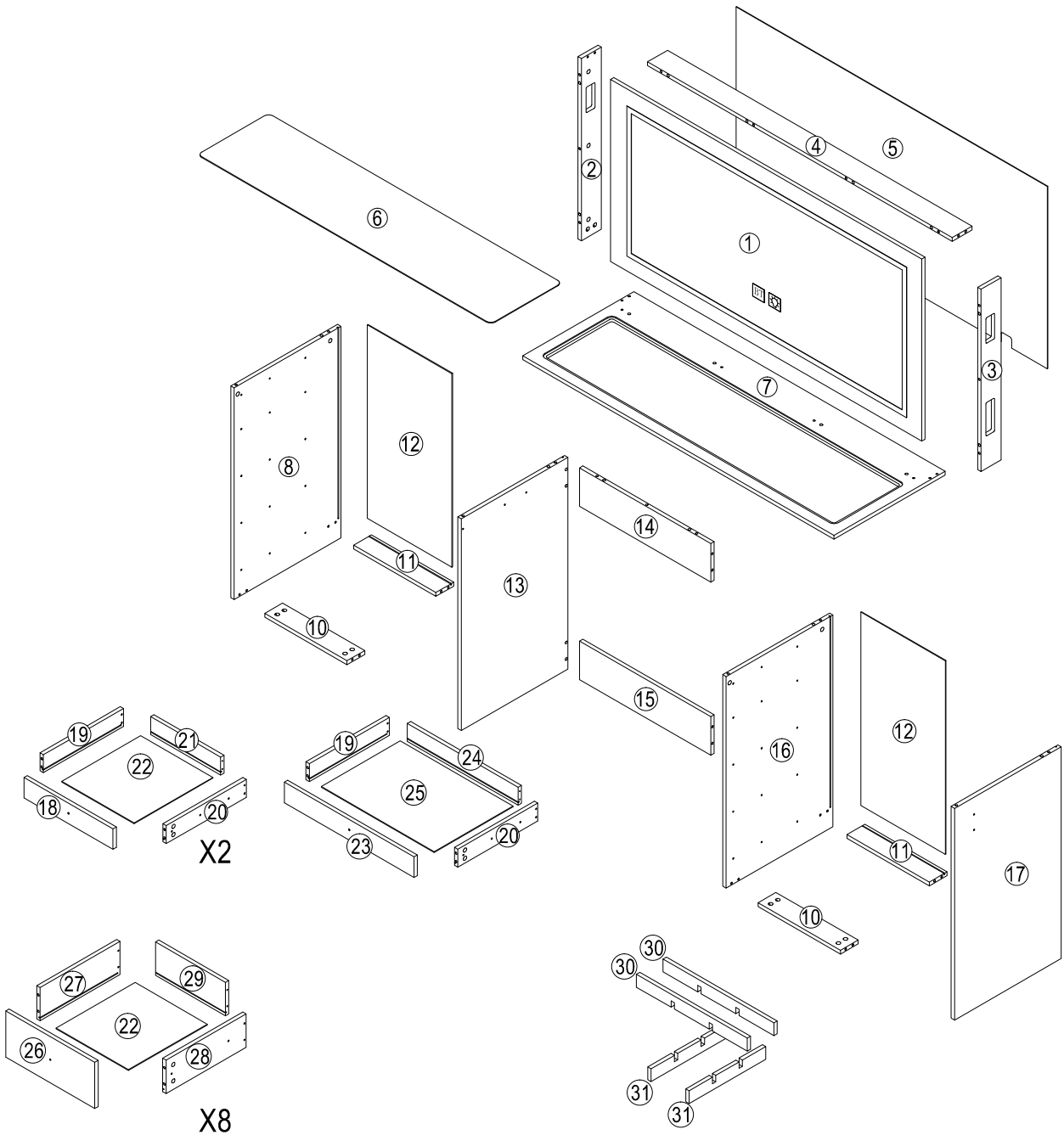
Recommended space
for assemble

Note: Place a carpet or blanket in the assembly area to avoid damage to the parts during the process.

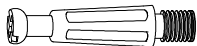

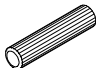




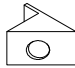

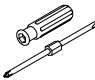


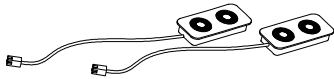
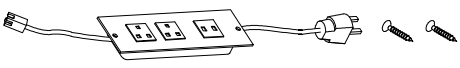

PARTS IDENTIFICATION

NO.		QTY.
1	Mirror	1
2	Left side tray	1
3	Right side tray	1
4	Top tray	1
5	Mirror backboard	1
6	Glass	1
7	Top base	1
8	Left side	1
10	Bottom (front)	2
11	Bottom (back)	2
12	Backboard	2
13	Left middle board	1
14	Middle backboard	1
15	Bottom footer	1
16	Right middle board	1
17	Right side	1
18	Front of small drawer	2
19	Left side of small drawer	3
20	Right side of small drawer	3
21	Rear of small drawer	2
22	Bottom of small drawer	10
23	Front of middle drawer	1
24	Rear of middle drawer	1
25	Bottom of middle drawer	1
26	Front of big drawer	8
27	Left side of big drawer	8
28	Right side of big drawer	8
29	Rear of big drawer	8
30	Horizontal drawer division	2
31	Vertical drawer division	2

Note: 6 and 9 are easily mis-distinguished. Therefore, No.9 is skipped.

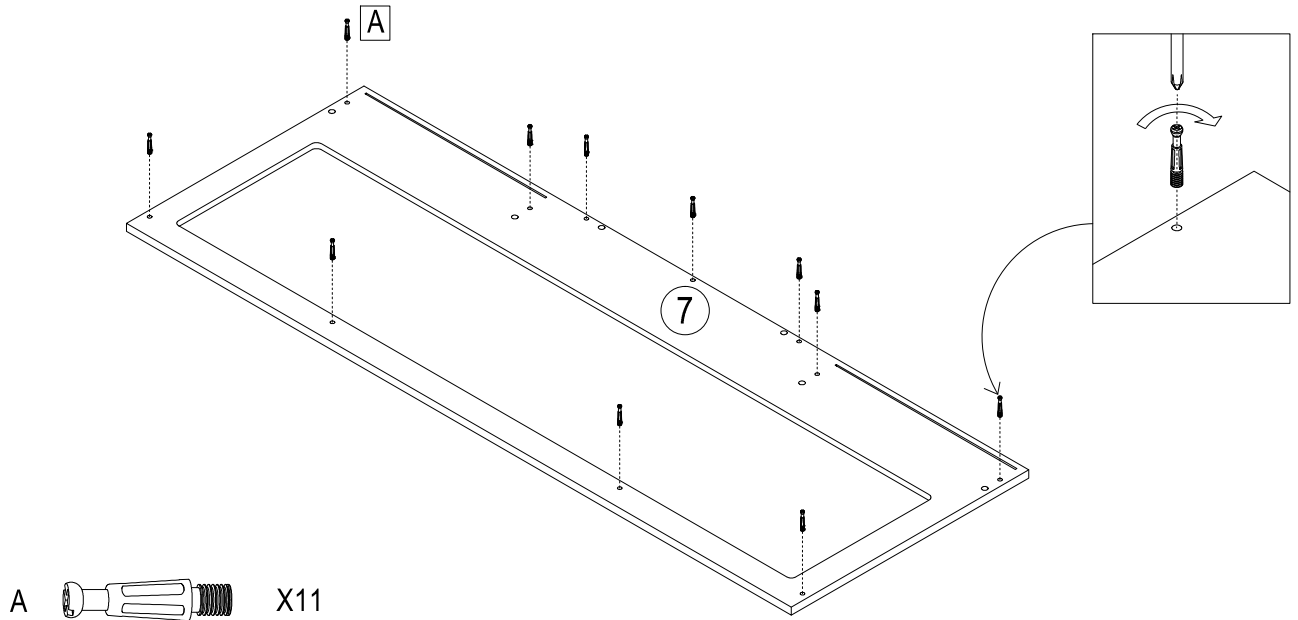


IDENTIFICATION OF ACCESSORIES

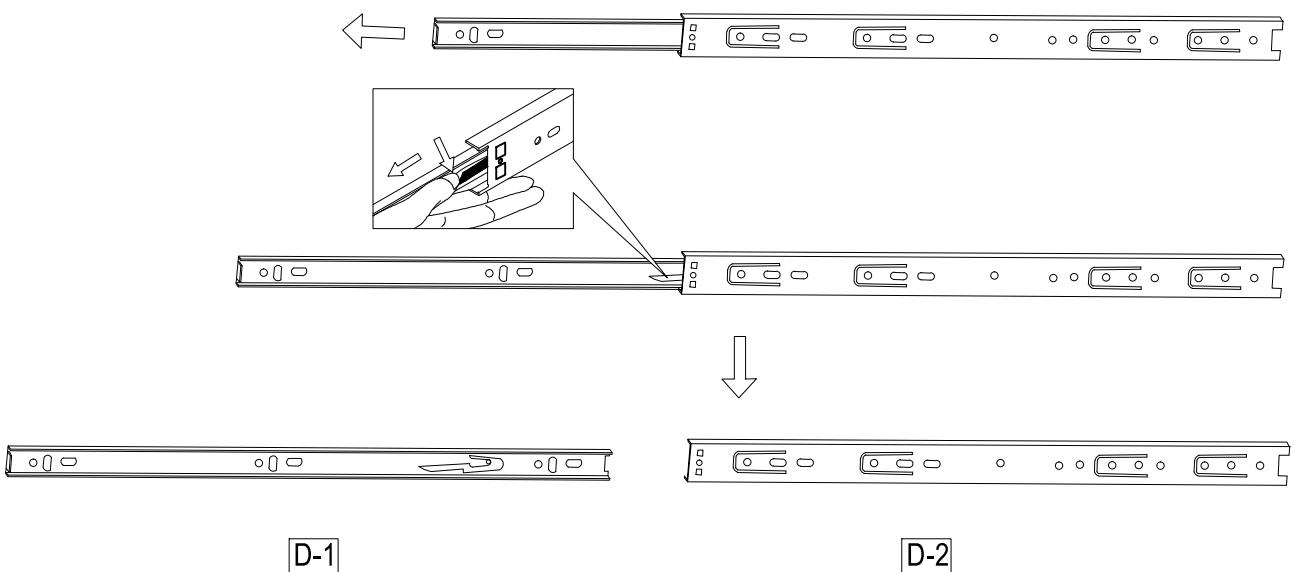
CODE		DESCRIPTION	QTY.
A		Cam lock	101
B		Drum lock	101
C		Wooden dowel	18
D		Telescopic slide L350MM	11
E		Knob with screw (M4*18mm)	11
F		Flat head screw (5*38mm)	44
G		Flat head screw (3.5*14mm)	159
H		Back panel buckle	16
I		Plastic foot	8
J		Screw driver	1
K		Hair dryer holder	1
L		Anti-tip kit	2
M		Speaker	1
N		Outlet	1
O		Nail-free glue	1

ASSEMBLY

1. Screw A in the top base



2. Divide the slides into D-1 and D-2



ASSEMBLY

3. Assemble the slides, cam lock and wooden dowel on the left side board

Note: The upper slide will be assembled later.

A		X4
C		X1
G		X12
D-2		X4

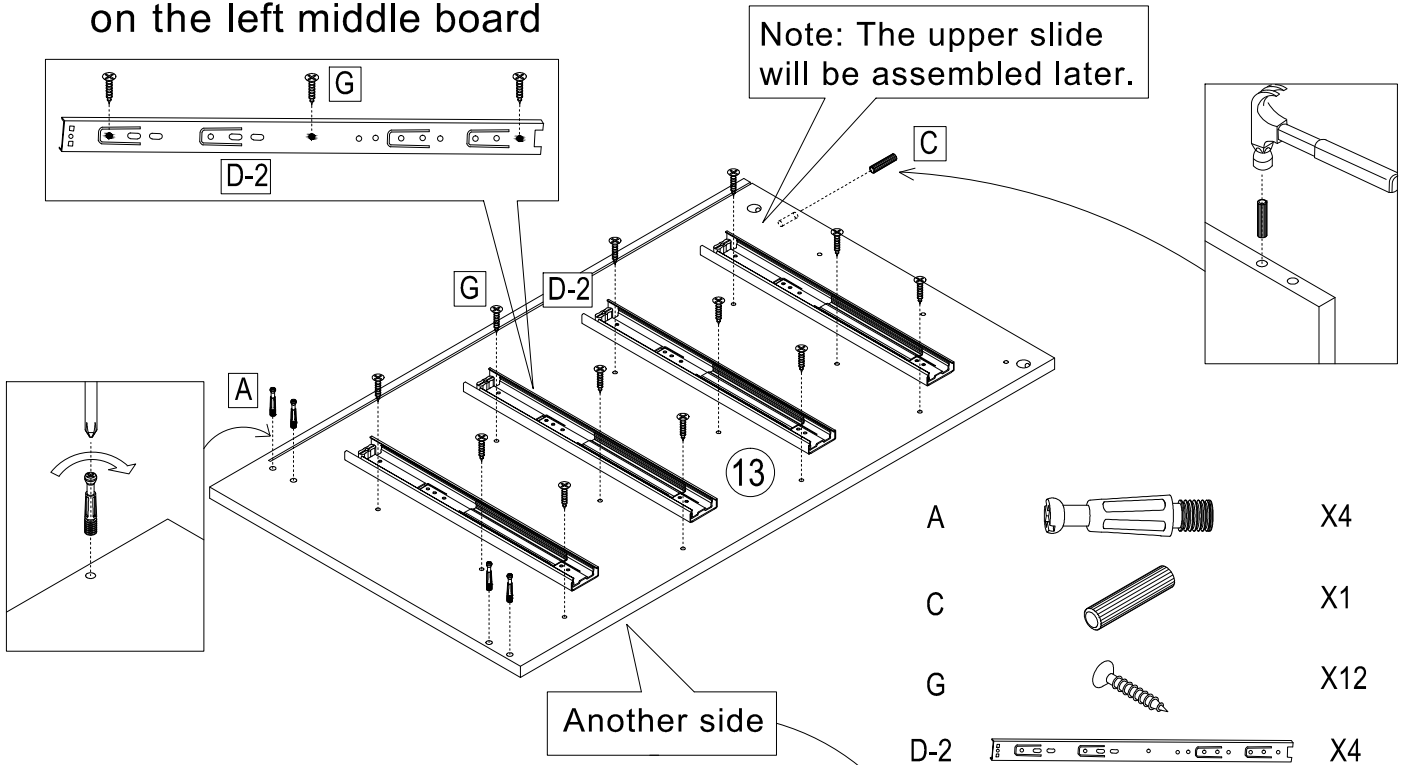
4. Assemble the slides, cam lock and wooden dowel on the right side board

Note: The upper slide will be assembled later.

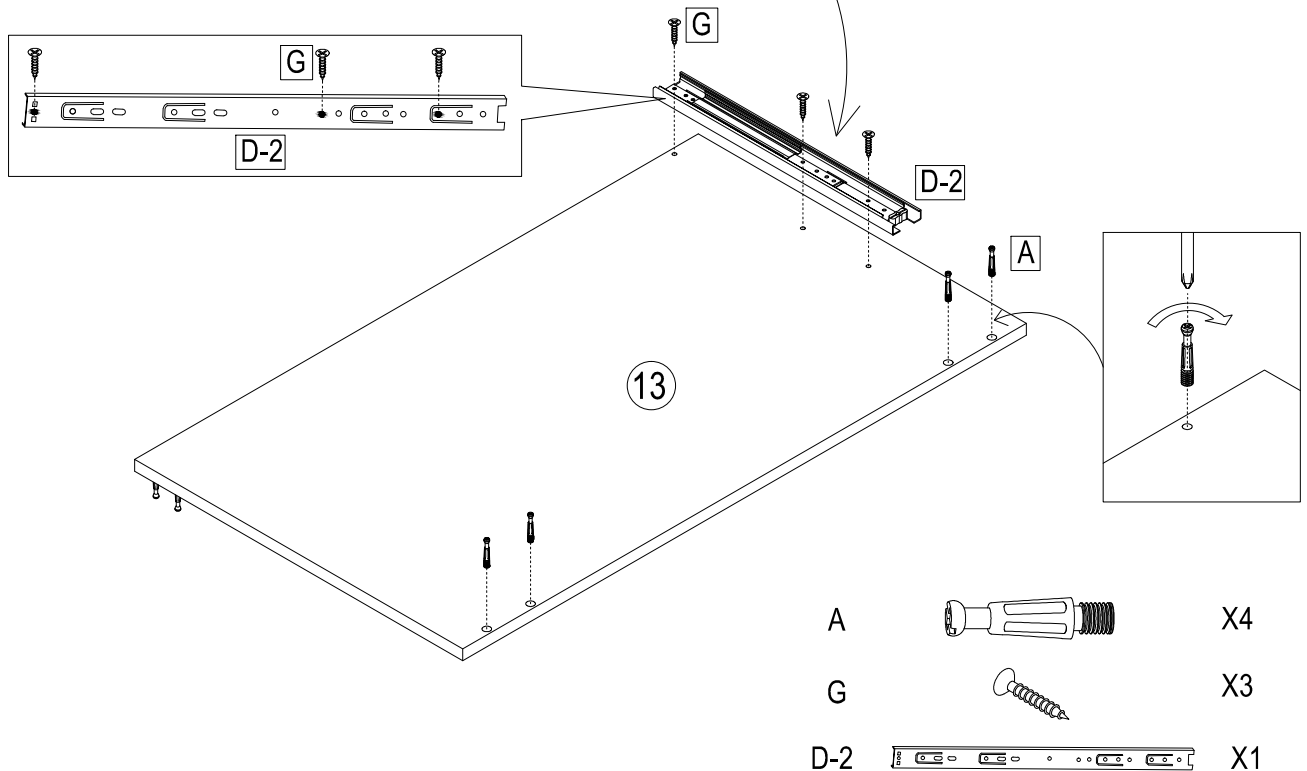
A		X4
C		X1
G		X12
D-2		X4

ASSEMBLY

5. Assemble the slides, cam lock and wooden dowel on the left middle board



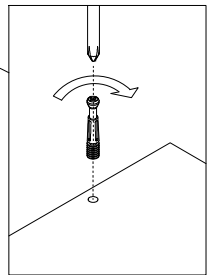
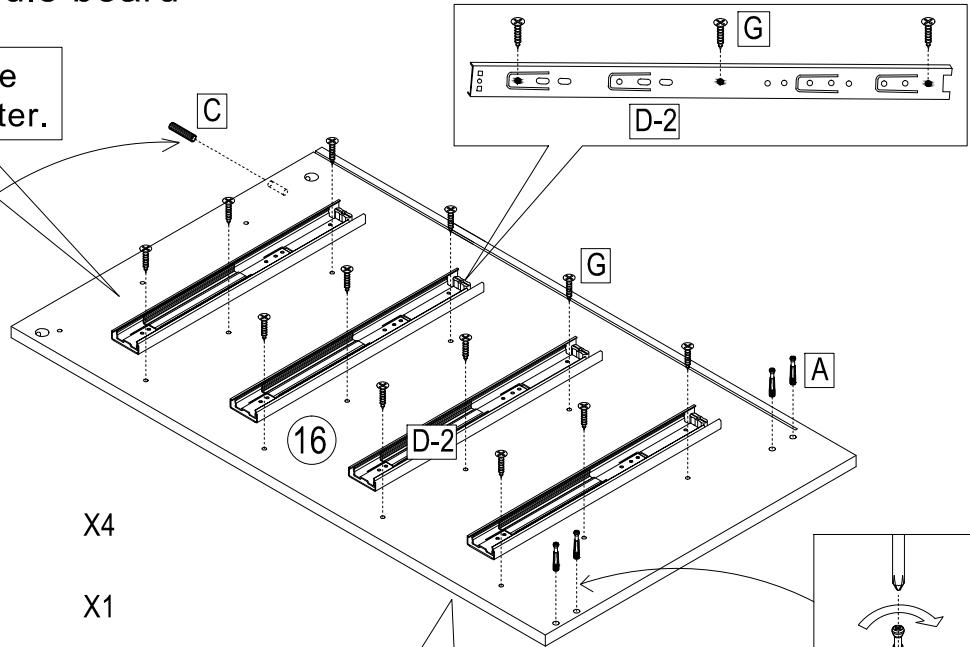
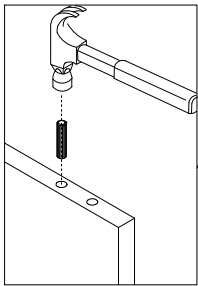
6. Assemble the slides, cam lock on the left middle board another side


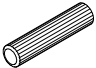

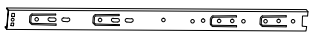


ASSEMBLY

7. Assemble the slides, cam lock and wooden dowel on the right middle board

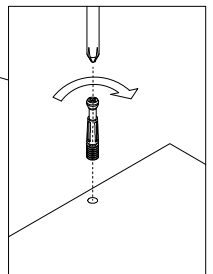
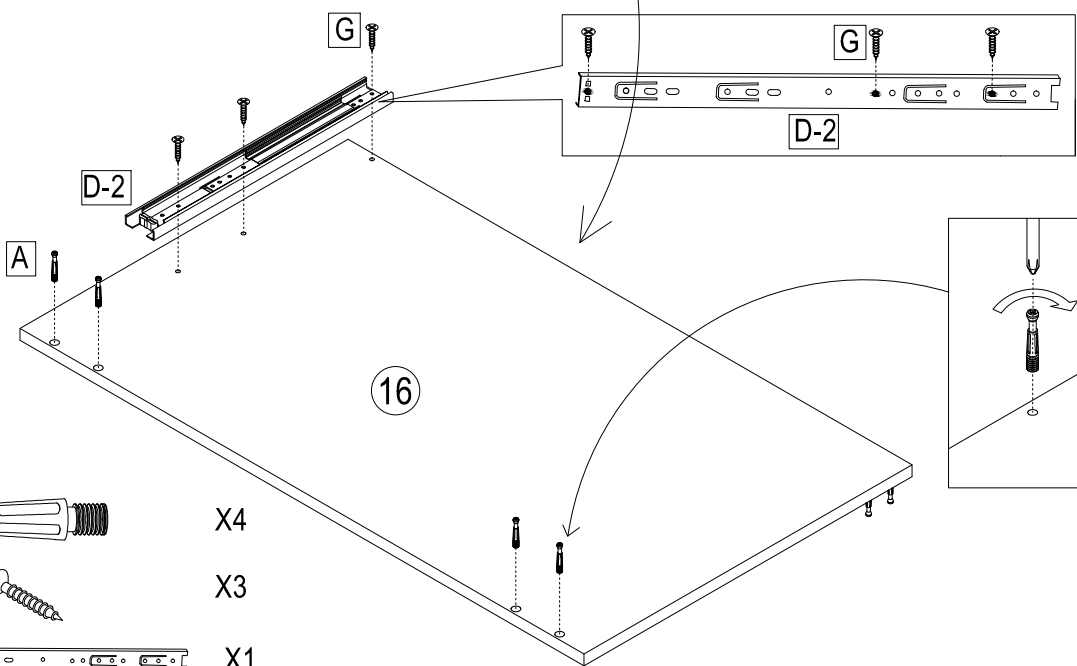
Note: The upper slide will be assembled later.



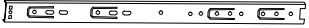


- A  X4
- C  X1
- G  X12
- D-2  X4

Another side

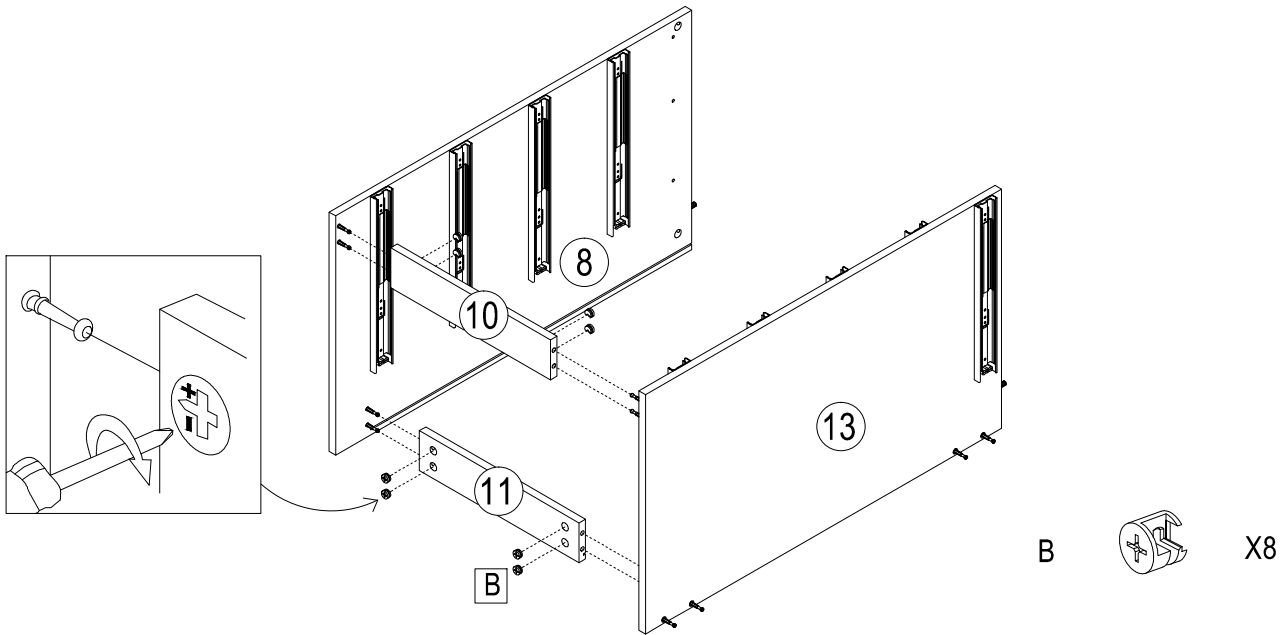
8. Assemble the slides, cam lock on the right middle board another side



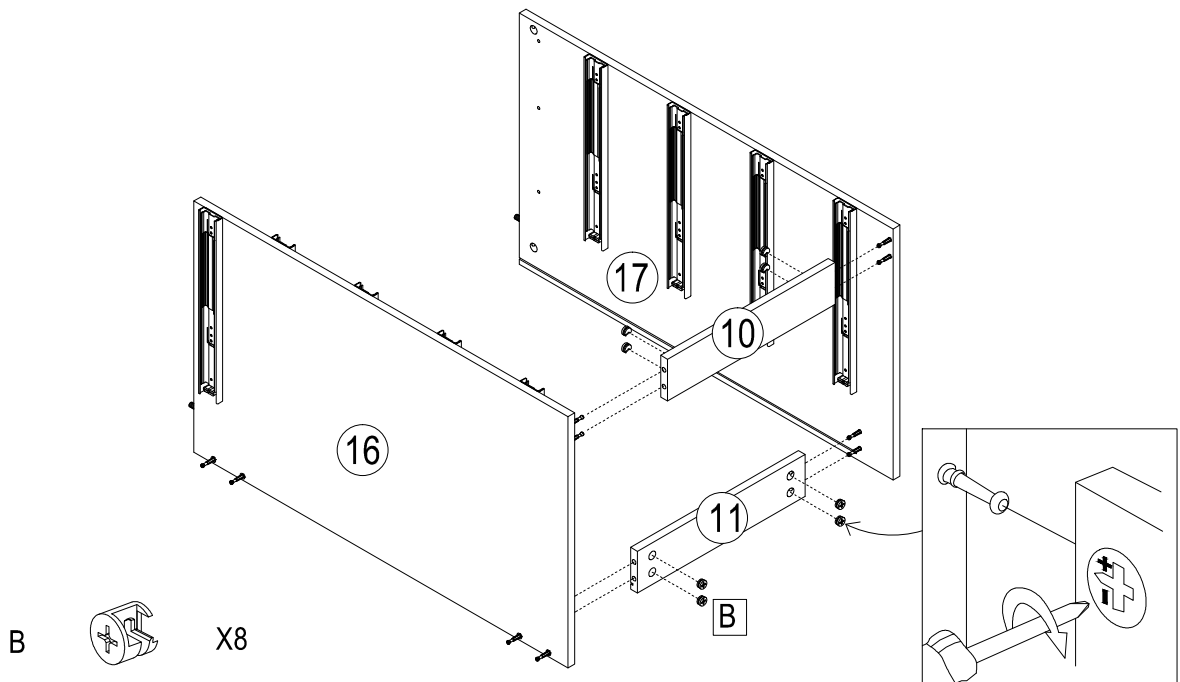
- A  X4
- G  X3
- D-2  X1

ASSEMBLY

9. Assemble the left cabinet

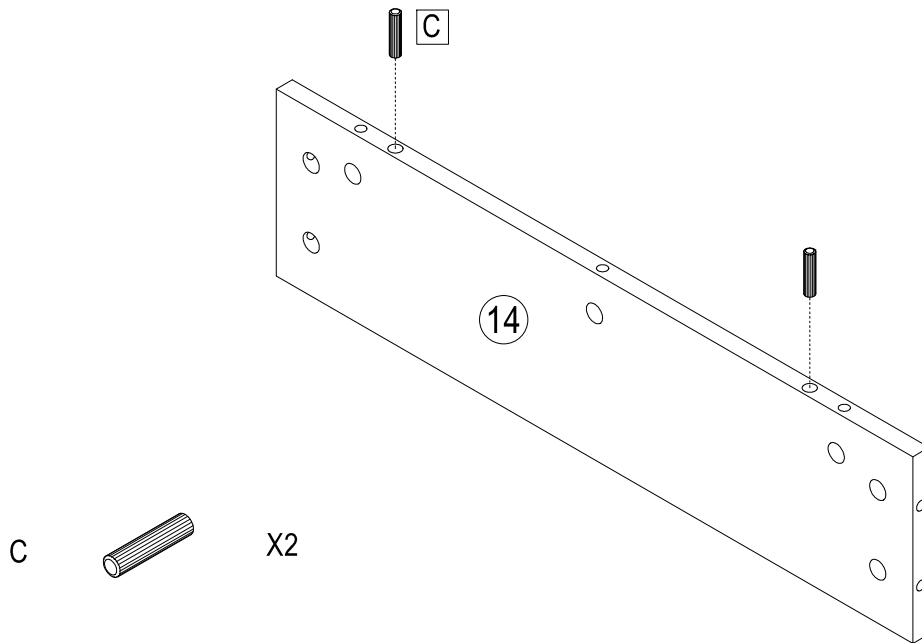


10. Assemble the right cabinet

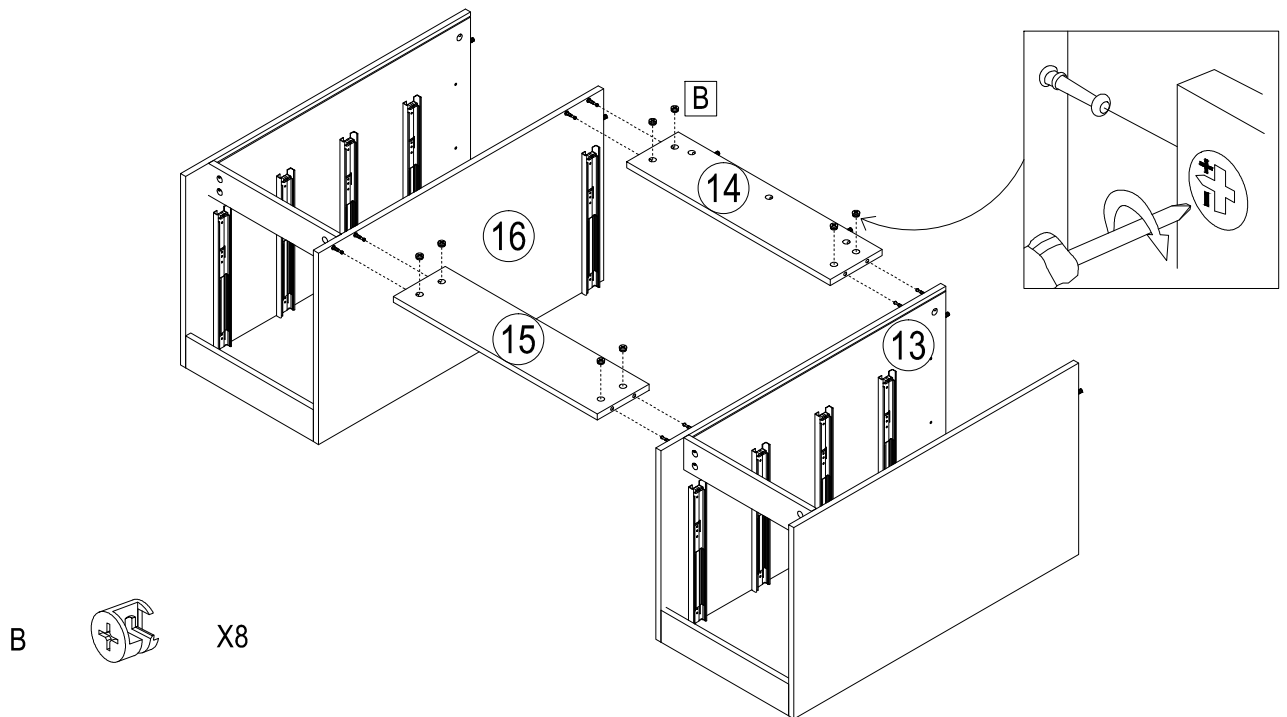


ASSEMBLY

11. Assemble the wooden dowel on the middle backboard

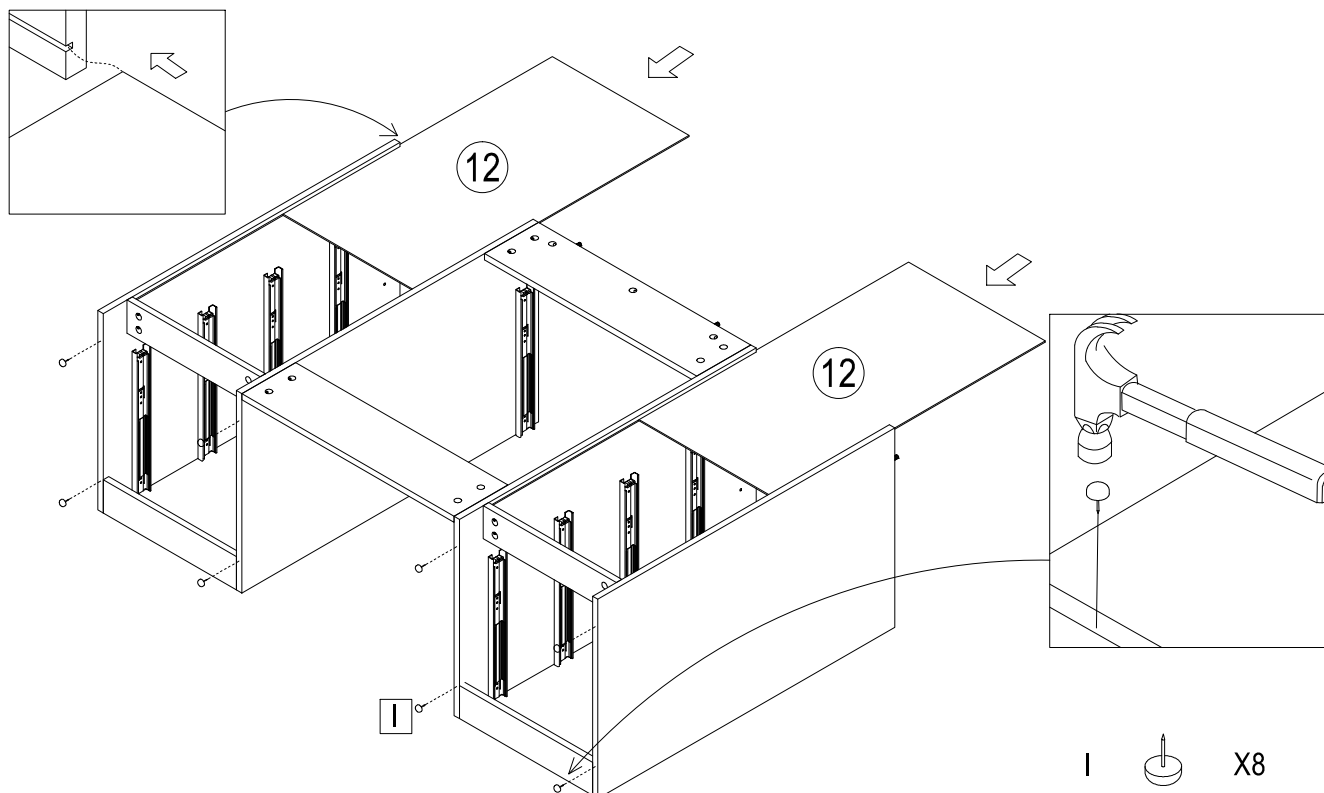


12. Assemble the two cabinets

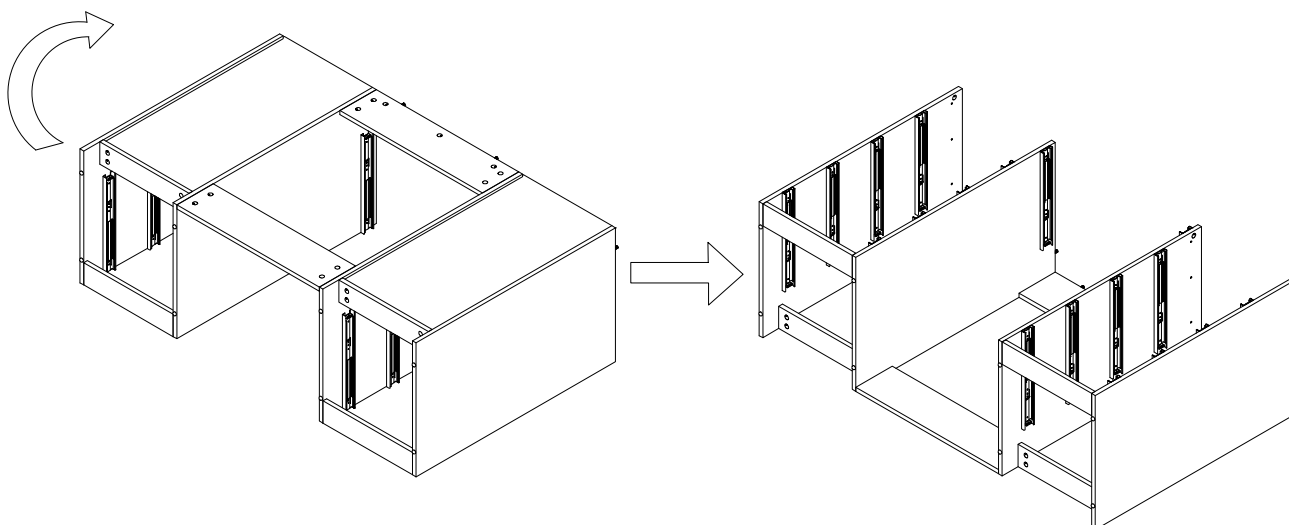


ASSEMBLY

13. Put the backboard in and assemble the plastic foot

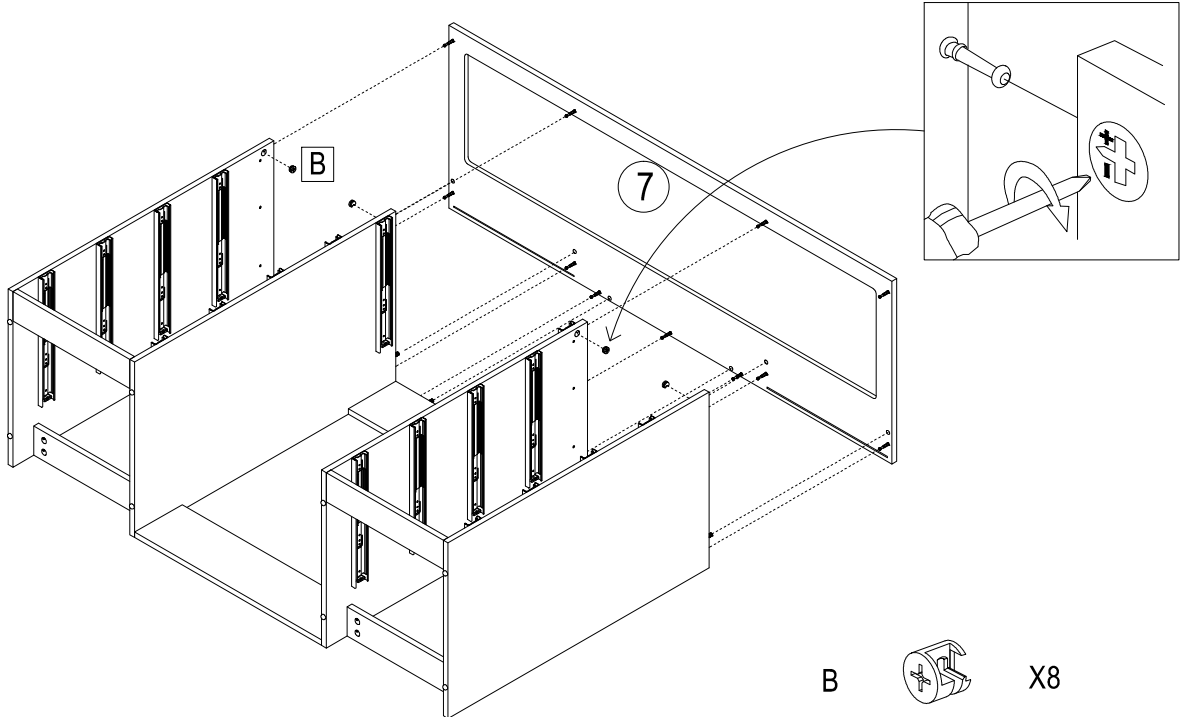


14. Reverse the desk

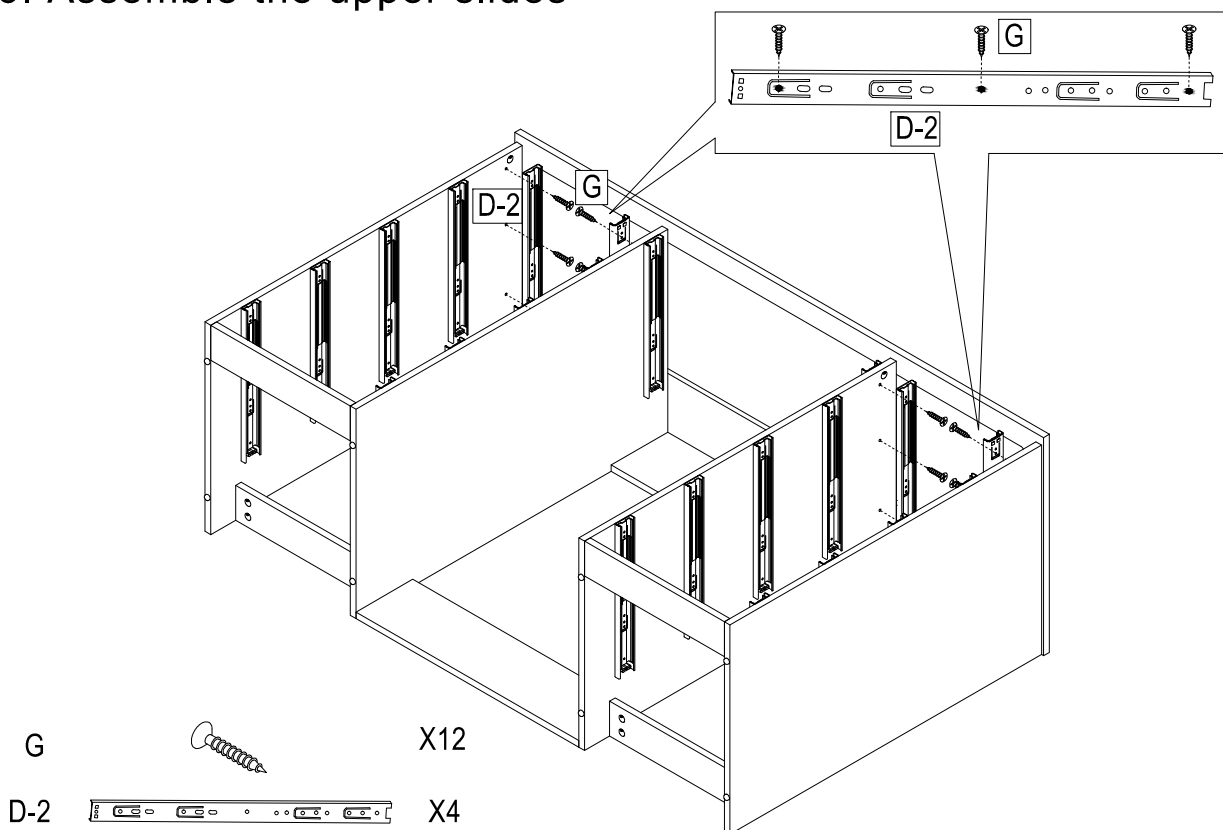


ASSEMBLY

15. Assemble the top base

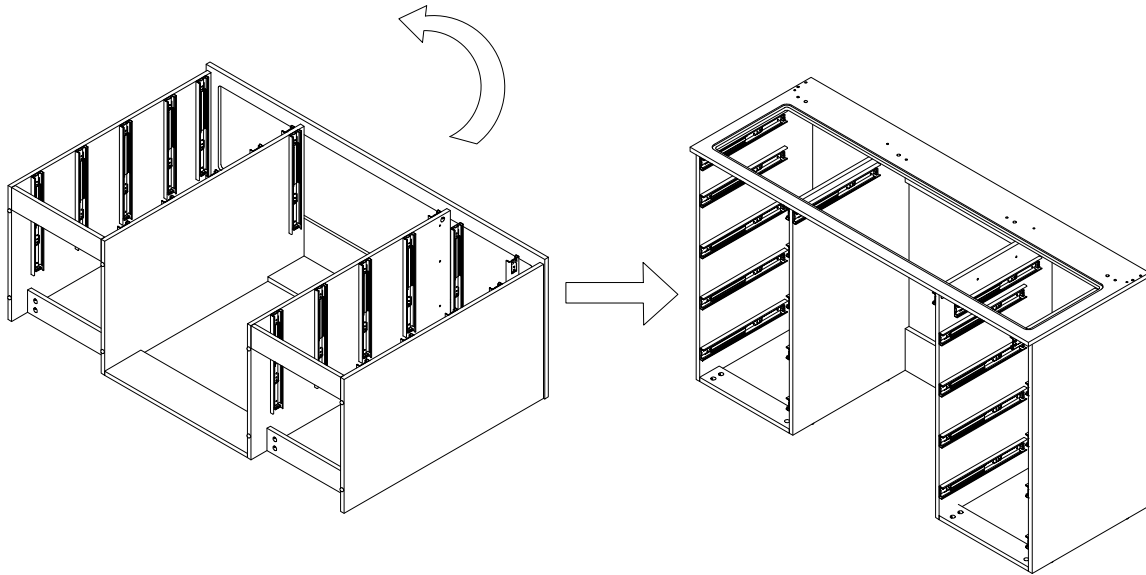


16. Assemble the upper slides

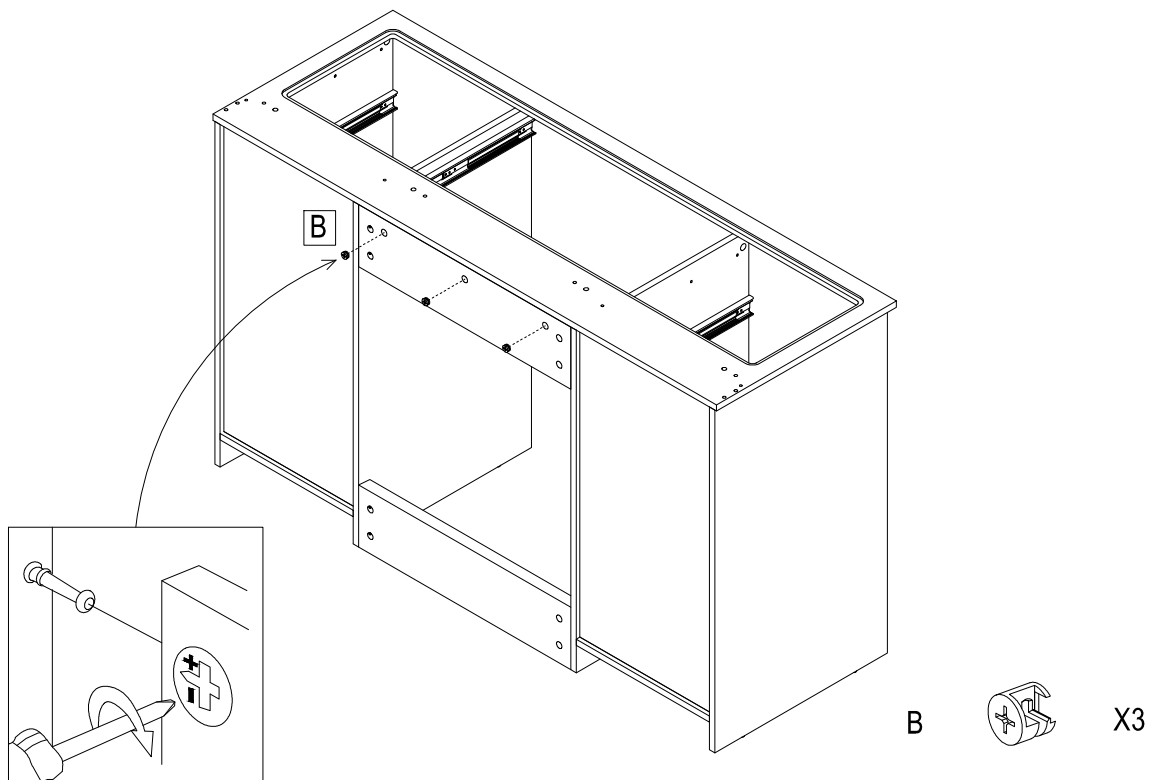


ASSEMBLY

17. Stand the desk up

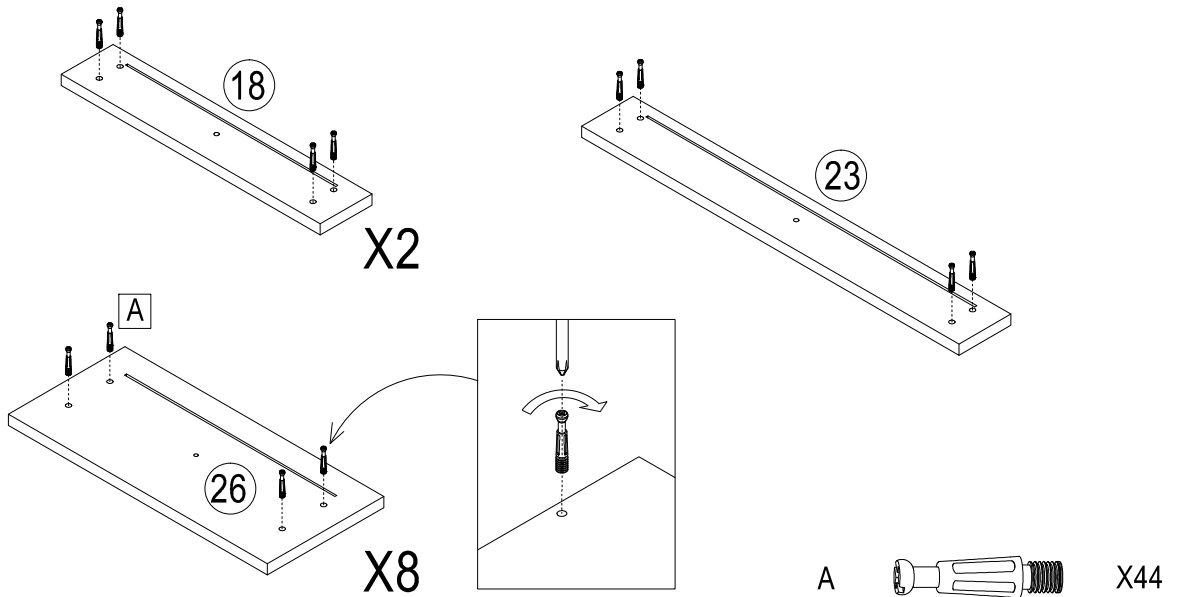


18. Fix the drum lock

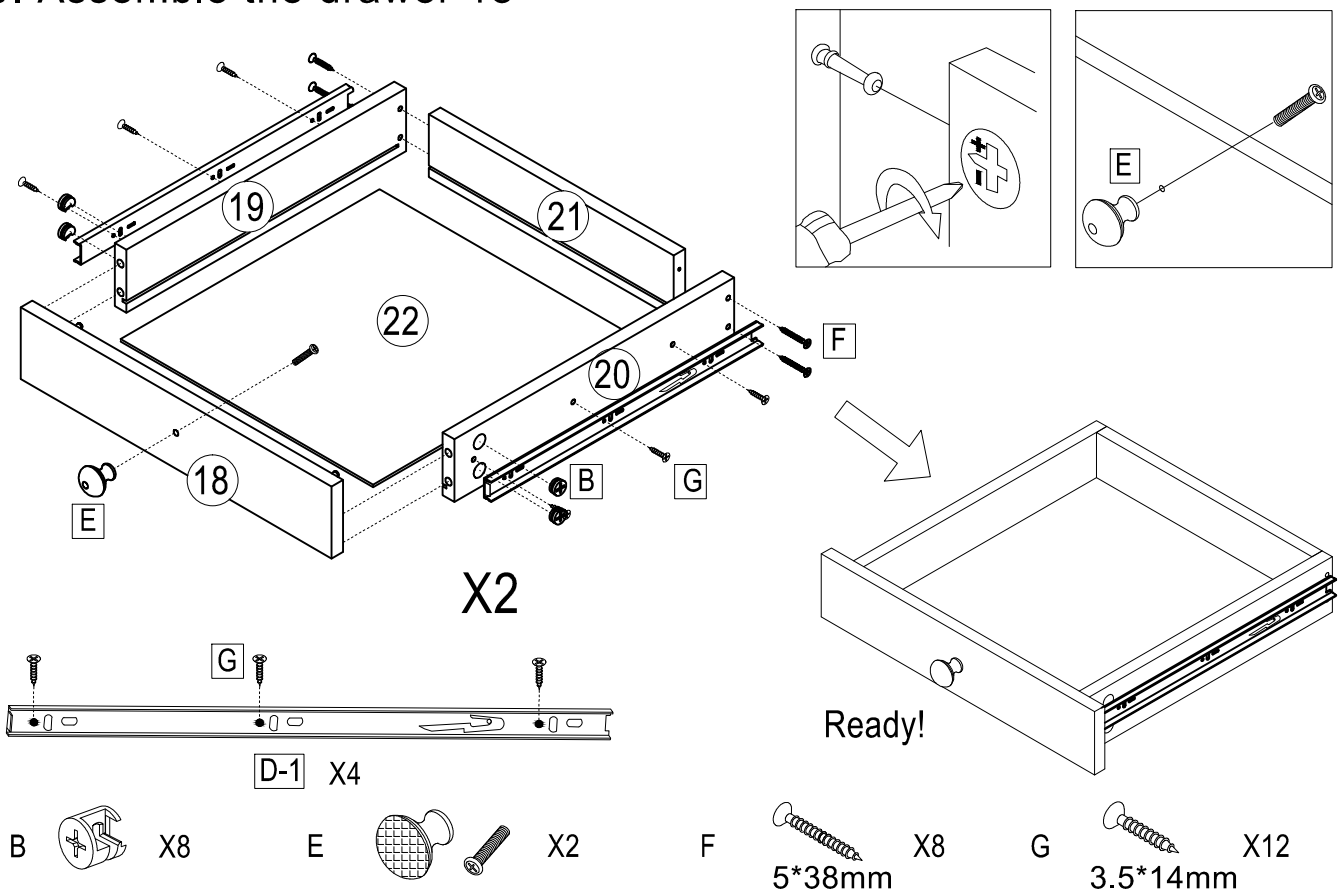


ASSEMBLY

19. Screw A in the front boards of drawers

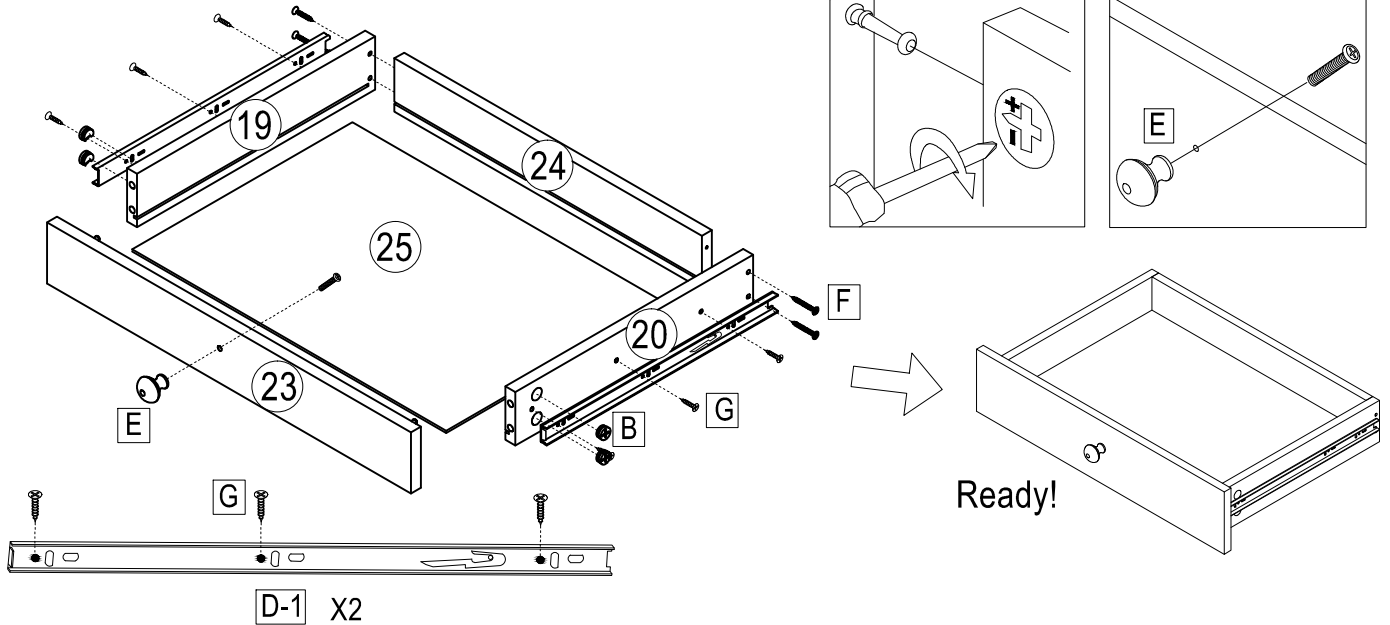


20. Assemble the drawer 18



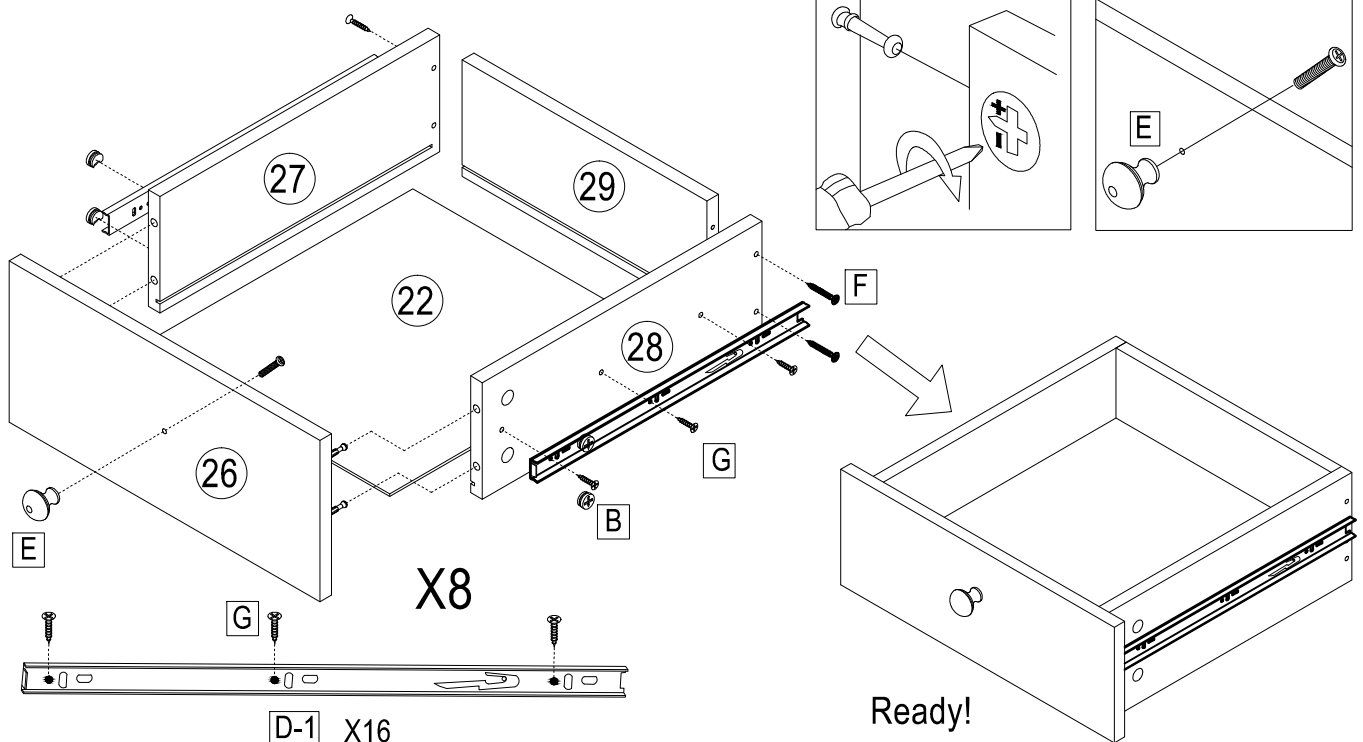
ASSEMBLY

21. Assemble the drawer 23



- B  X4
- E  X1
- F  5*38mm X4
- G  3.5*14mm X6

22. Assemble the drawer 26

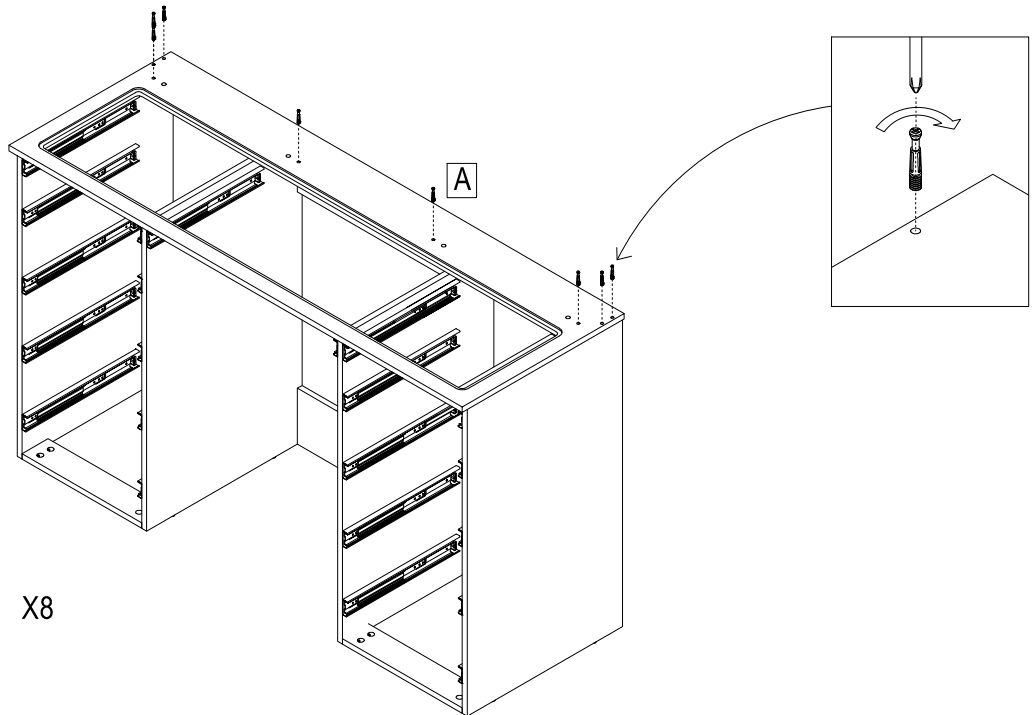


- B  X32
- E  X8
- F  5*38mm X32
- G  3.5*14mm X48

Need some Help? Call +1 281-809-4043 or email contact@boahaus.com

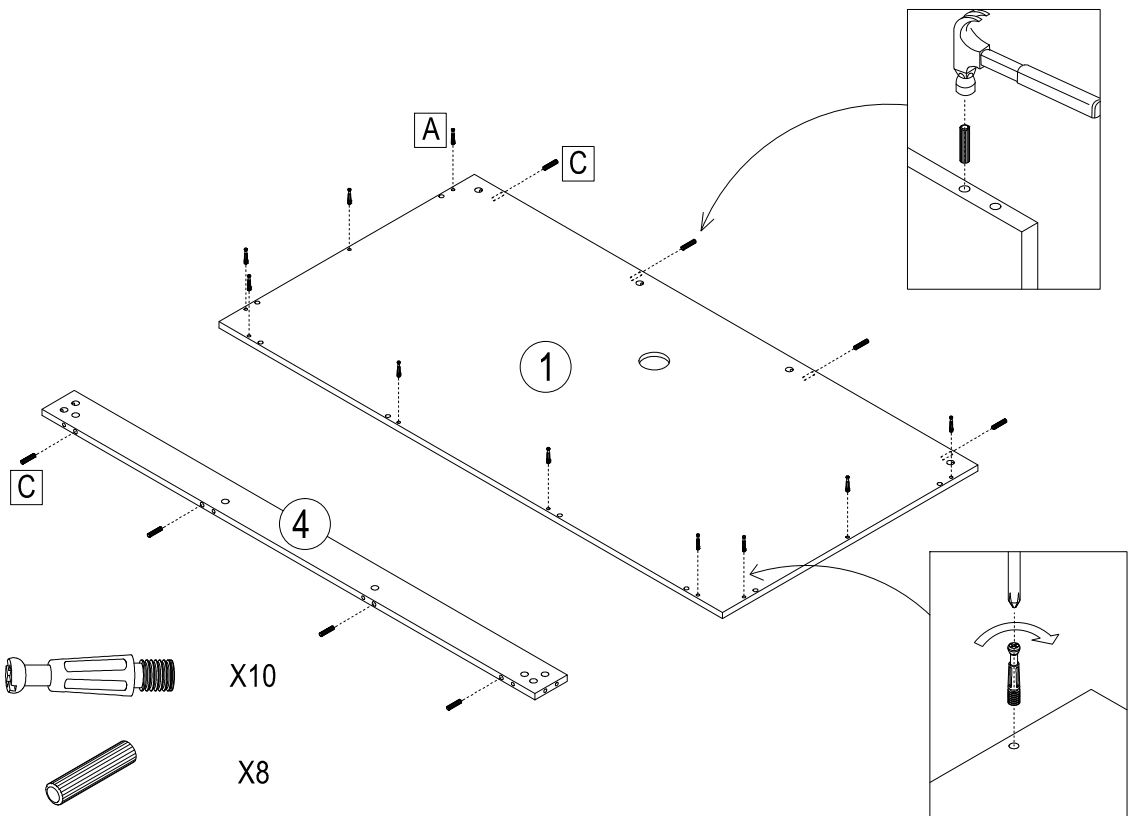
ASSEMBLY

23. Fix the top base

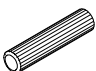


A  X8

24. Screw A and wooden dowel C in the mirror and top tray

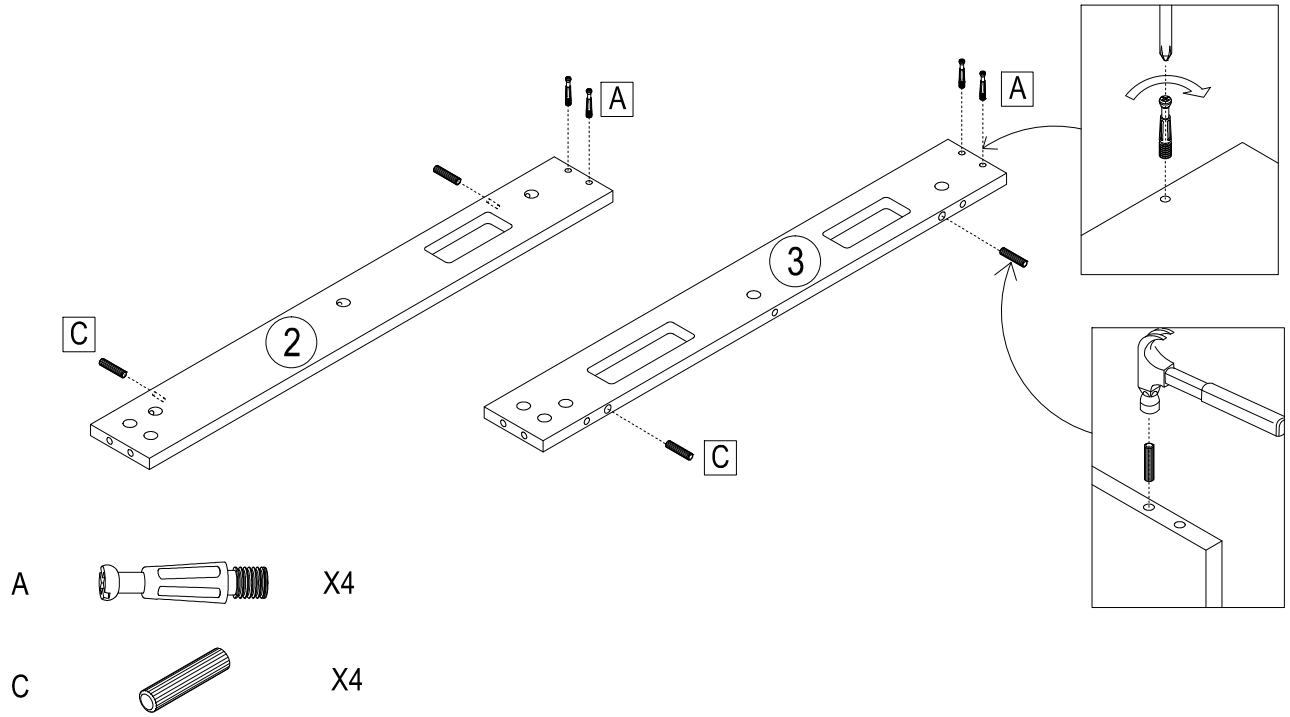


A  X10

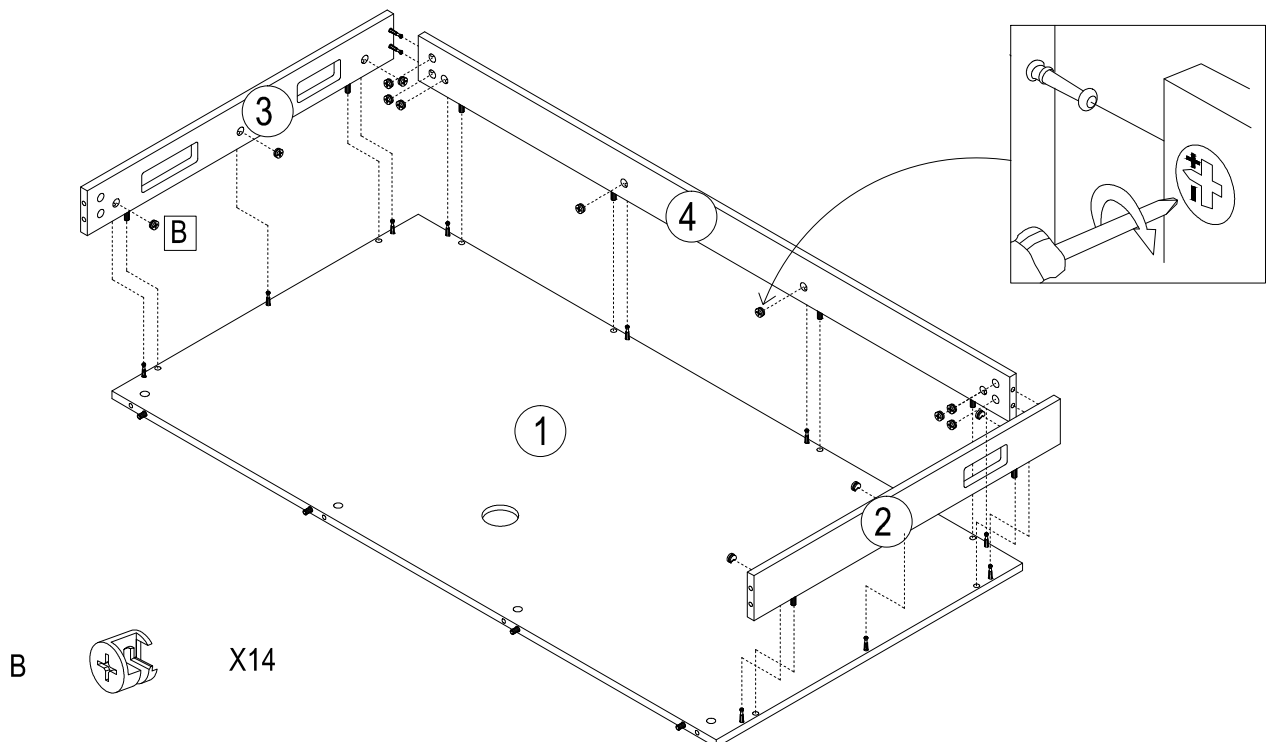
C  X8

ASSEMBLY

25. Screw A and wooden dowel in the side tray

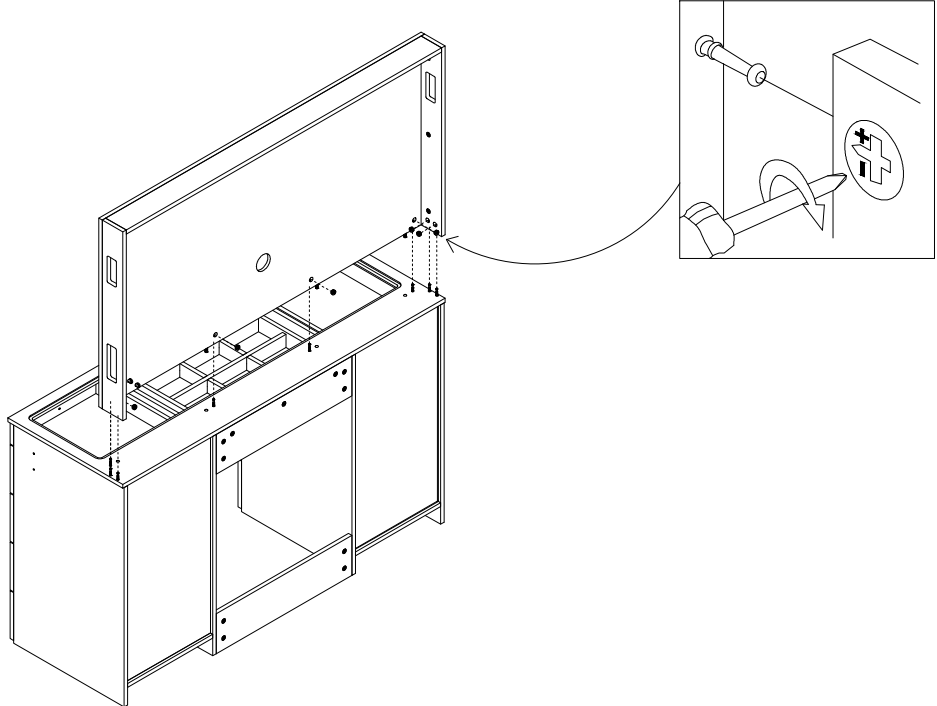


26. Assemble the mirror frame



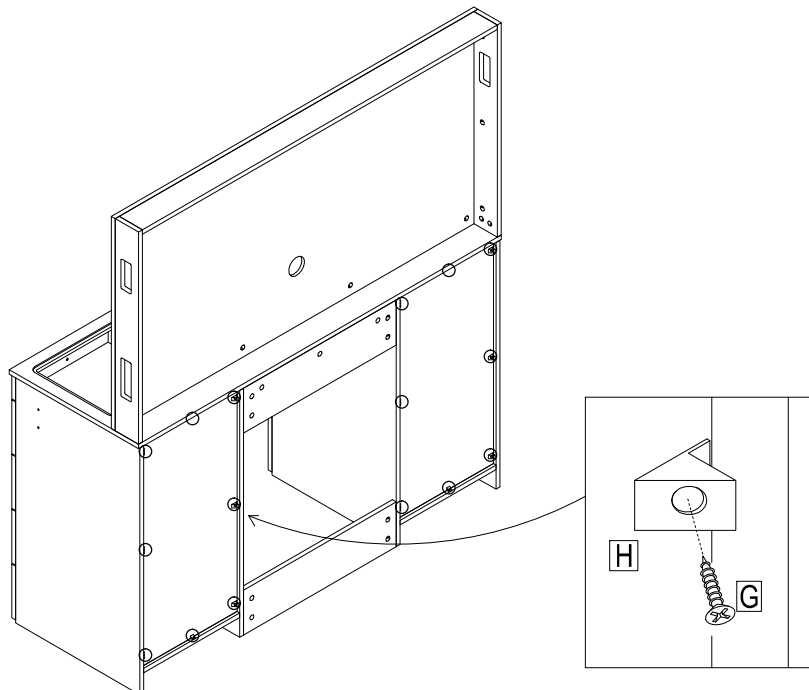
ASSEMBLY

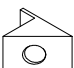
27. Assemble the mirror on the desk



B  X8

28. Fix the backboard buckle



H  X16

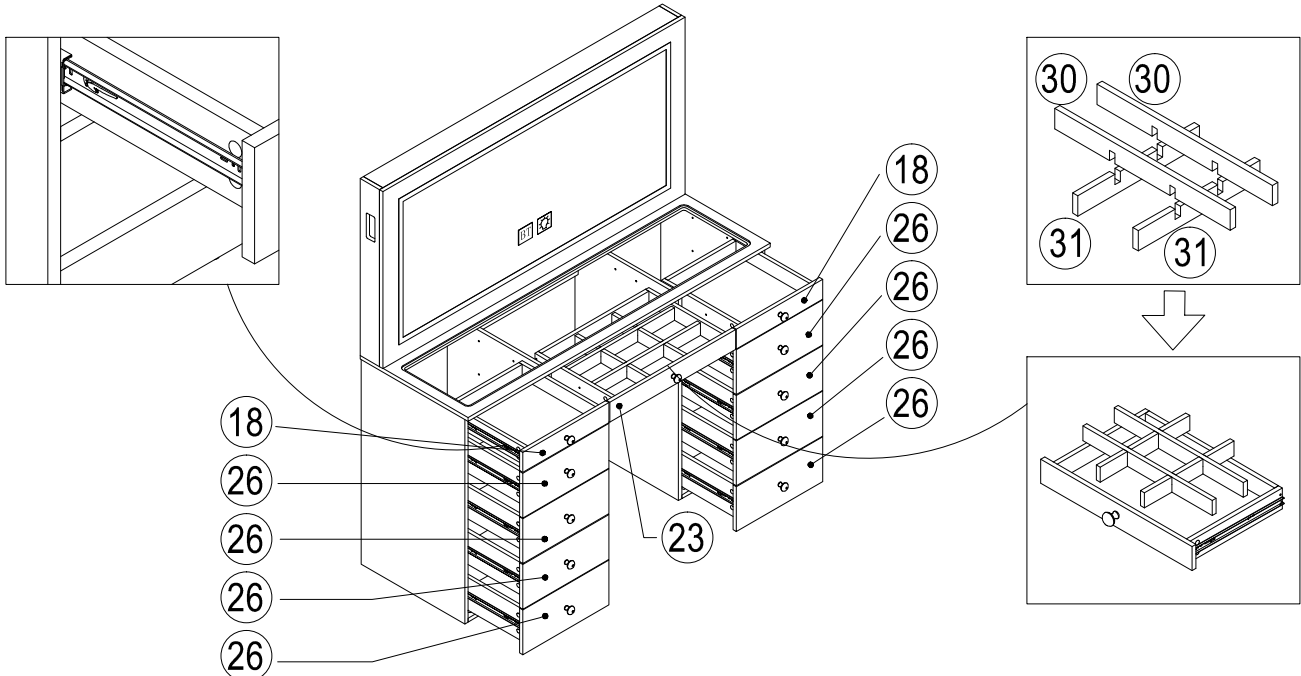
G  X16

Note: If the gap between both backboards and both side boards is big, this step can be necessary to make the vanity more stable.

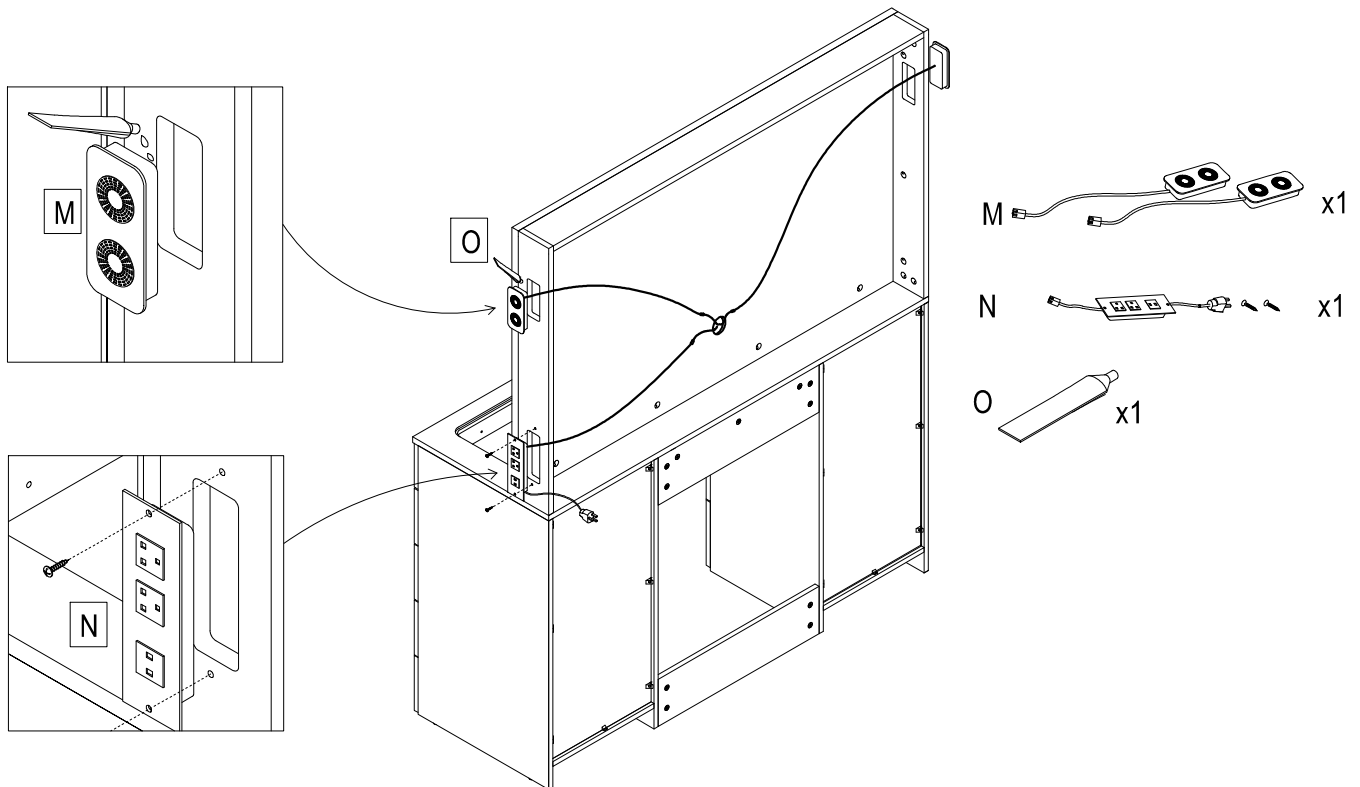
Need some Help? Call +1 281-809-4043 or email contact@boahaus.com

ASSEMBLY

29. Put the drawers and the drawer division in



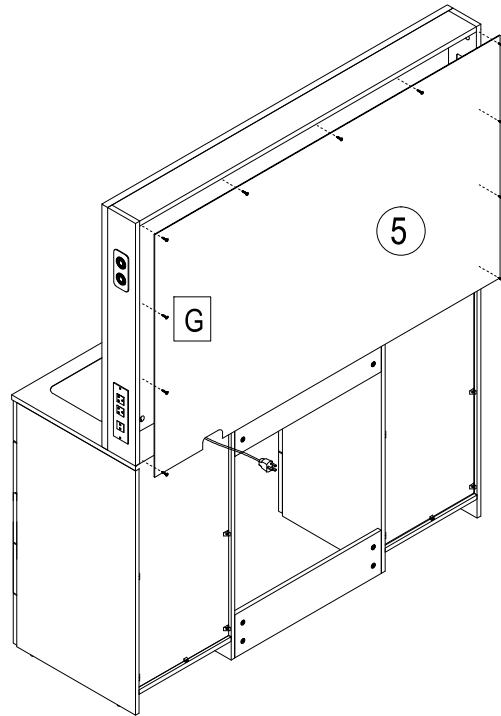
30. Assemble the electrical parts for speakers and outlet



Note: ①If the speaker is not exactly embedded in the notch, glue is necessary to fix it.
 ②Please kindly connect the cables after aiming at the correct holes position.

ASSEMBLY

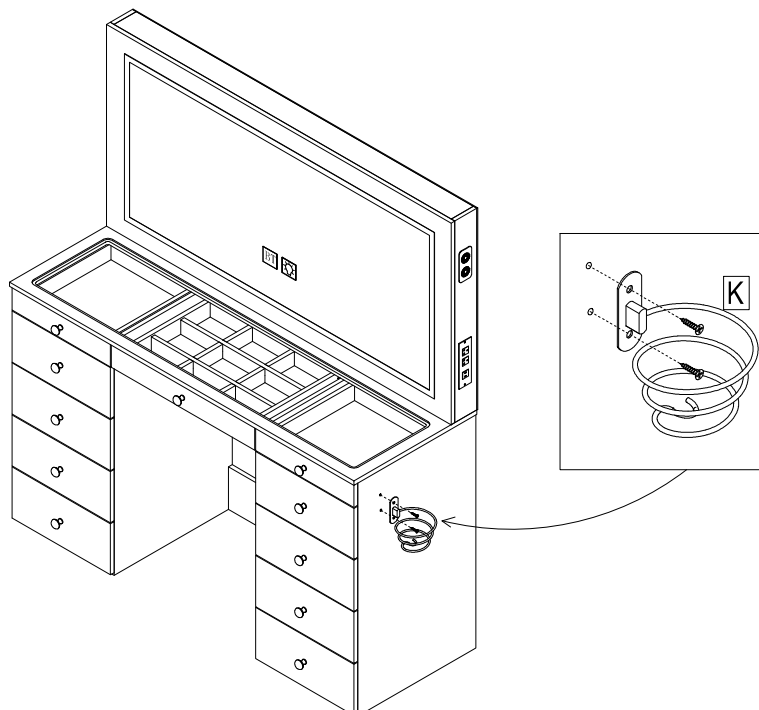
31. Fix the mirror backboard



Note: Firstly drag the power cable out from the gap and then fix the mirror backboard.

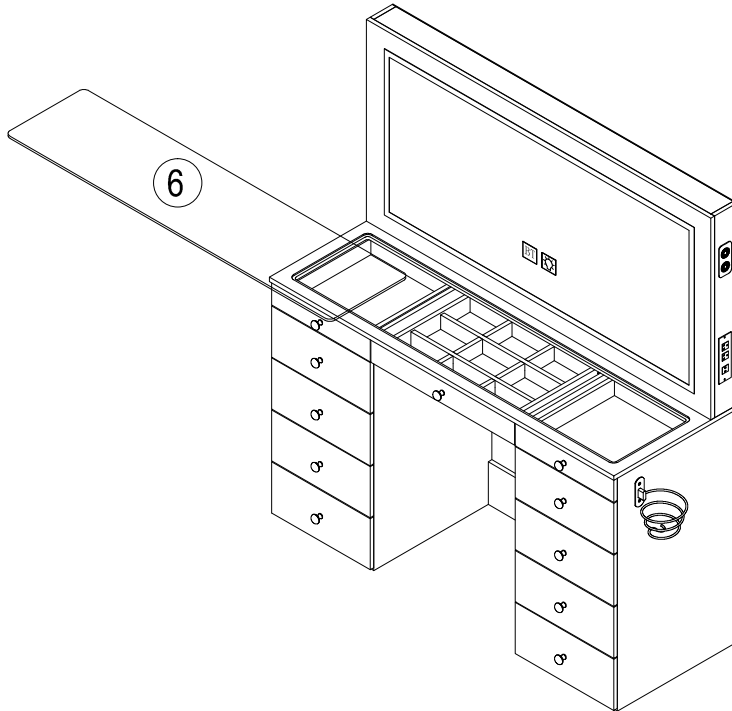


32. Fix the hair dryer holder

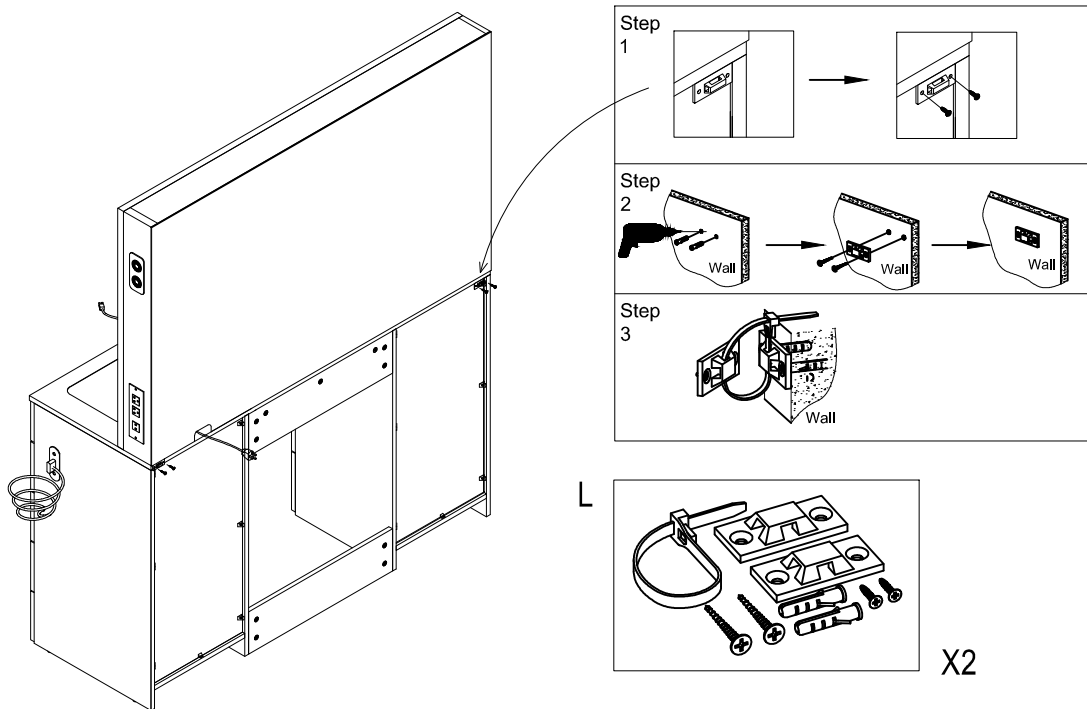


ASSEMBLY

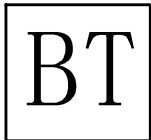
33. Put the glass in the top base notch



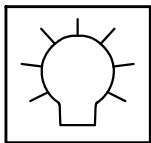
34. Assemble the anti-tip kits



Bluetooth speakers and light instructions



- 1 Long press the "BT" button and the power is on.
You can connect the bluetooth and turn on the light.
The bluetooth name is "Boahaus" and the initial password is "1234".
- 2 Long press the "BT" button and the bluetooth is off.
- 3 Short press the "BT" button and the music can be paused and continued.



- 1 Press the light button and the light is on. The initial brightness is medium.
- 2 Long press the light button and light will turn brighter.
The light will turn darker if this step is repeated.
- 3 Press twice and the light color is changed. There are three colors available and the brightness adjustment can follow the second point. Press again after the third color is on and the light will be off.

6-Months Limited Warranty

- a. Boahaus, LLC provides limited warranty coverage to the original purchaser of this product for a period of six months from the date of purchase against defects in materials or workmanship of Boahaus furniture components. As used in this Warranty, “defect” means imperfections in components which substantially impair the utility of the product. This Warranty gives you specific legal rights, and you may also have other rights which vary from state to state.
- b. There is no warranty coverage for defects or conditions that result from the failure to follow product assembly instructions, information or warnings, misuse or abuse, intentional damage, fire, flood, alteration or modification of the product, or use of the product in a manner inconsistent with its intended use, nor any condition resulting from incorrect or inadequate maintenance, cleaning, or care. There is also no warranty coverage for rented products or any products purchased “used” or “as is”, at a distress or going-out of business sale, or from a liquidator.
- c. As the exclusive remedy under this Warranty, Boahaus will (at its sole option) repair, replace or refund the value of any defective furniture component. Boahaus may require independent confirmation of the claimed defect and proof of purchase. Replacement parts will be warranted for only the remaining period of the original Warranty. BOAHAUS SHALL HAVE NO LIABILITY for ANY INCIDENTAL OR CONSEQUENTIAL DAMAGES OF ANY KIND and all such damages are EXCLUDED FROM THIS WARRANTY, such as loss of use, disassembly, transportation, labor or damage to property on or near the product. Some states do not allow the exclusion or limitation of incidental or consequential damages, so the above limitation or exclusion may not apply to you.
- d. This Warranty applies only to warranted defects that first arise and are transferred to subsequent owners or users of the product, and it shall be immediately void in the event the product is resold, transferred, leased or rented to any third party or person other than the original purchaser.
- e. THERE ARE NO OTHER WARRANTIES APPLICABLE TO THIS PRODUCT. Under the laws of certain states, there may be no implied warranties from Boahaus and all implied warranties, INCLUDING ANY IMPLIED WARRANTY OF MERCHANTABILITY OR FITNESS FOR A PARTICULAR PURPOSE are disclaimed where allowed by law. TO THE EXTENT ANY IMPLIED WARRANTIES ARE APPLICABLE, ANY IMPLIED WARRANTIES, INCLUDING ANY IMPLIED WARRANTY OF MERCHANTABILITY OR FITNESS FOR A PARTICULAR PURPOSE, ARE LIMITED IN DURATION TO THE DURATION OF THIS EXPRESS WARRANTY or the minimum period allowed by law, whichever is shorter. Some states do not allow limitations on how long an implied Warranty lasts, so the above limitation may not apply to you.
- f. For Warranty inquiries, questions about disposition or claims, please visit our website www.boahaus.com. You can also contact Boahaus at **+1 281-809-4043** or email at contact@boahaus.com Boahaus may require Warranty claims to be submitted in writing to:

Boahaus LLC.
1250-1252
Ave. Franklin Delano Roosevelt,
San Juan, PR 00926.

Please include your sales receipt or other proof of purchase and a specific description of the product defect.

boahaus

ASSEMBLY INSTRUCTIONS

ATTENTION!!!

Any inquiry or replacement parts
you need, contact us directly at:

contact@boahaus.com

Scan this QR Code to chat to Customer Support Team



Or Call Us at +1 (281) -809-4043