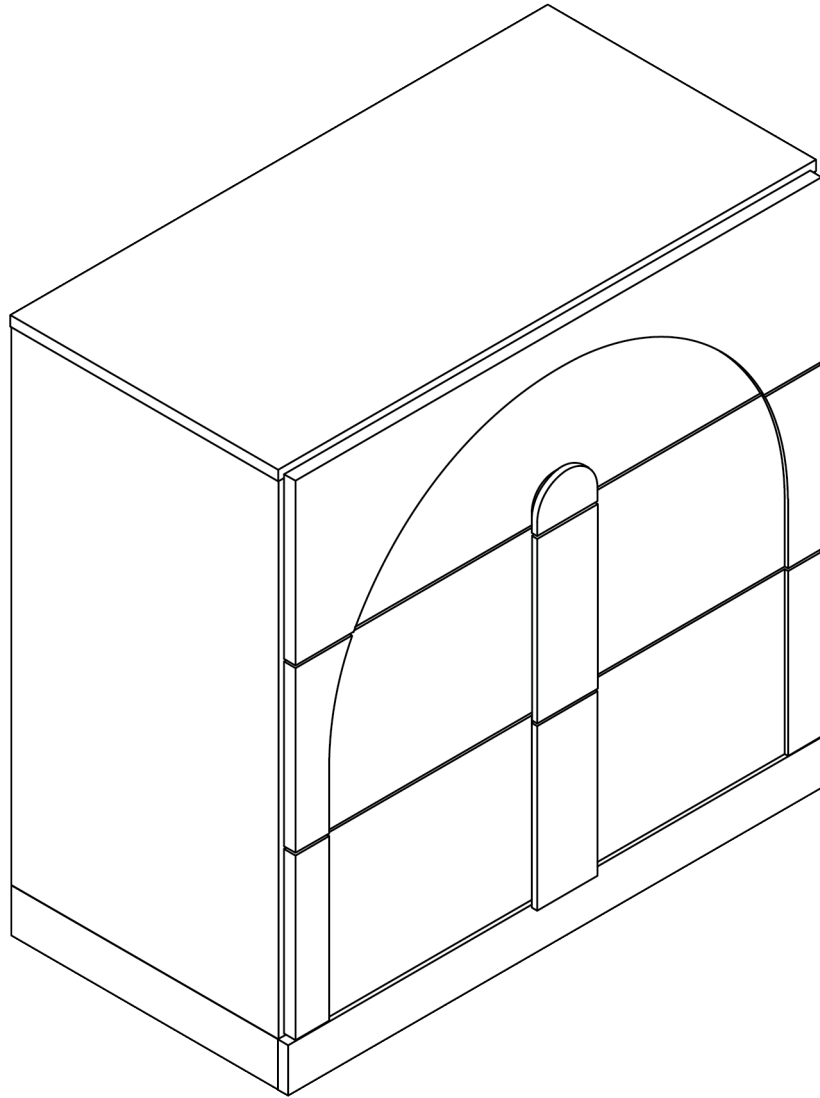


Storage Cabinet

# Instruction Manual

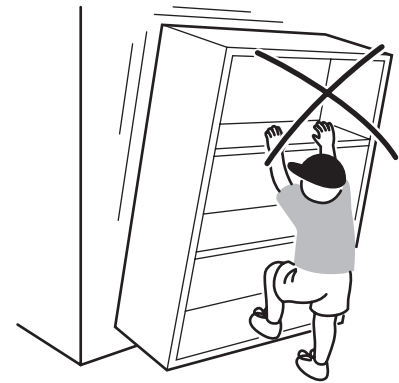
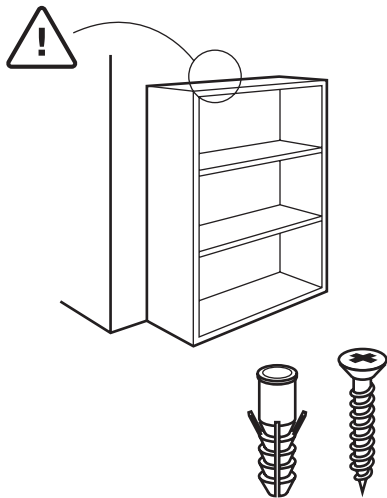


## Read Before Assembly

The instruction booklet contains **IMPORTANT** safety information. Please read it in full and keep it for future reference.



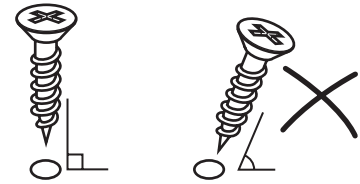
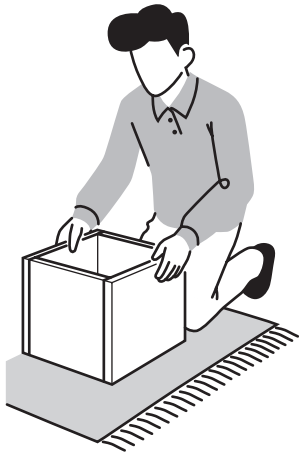
### WARNING!



- Serious or fatal crushing injuries may occur if the furniture tip-over. Furniture must permanently affixed to the wall with anti-tipping device(s) in order to prevent the furniture from tipping over.
- Different wall materials requires different type of wall anchors or screws. Use a suitable wall anchors or screws for your specific wall in order to secure the stability and load bearing capacity of the furniture. If you are uncertain about which type of device to use, please contact us or local hardware store and seek professional advice.
- Only place items that is within the recommended size and weight limit of the furniture.
- Items placed onto the furniture must be resting on a support surface without hanging over the edges.
- Climbing on, stepping on, or placing overweighted objects on the product may cause property damage and / or injuries.



## CAUTION!



- Assemble the furniture on an empty carton, carpet, or rug to prevent scratches or damage.
- When assembling the furniture, keep pets and children away from the assembly area.
- Ensure the product is fully assembled before use. If you are missing any hardware or parts, do not use it until you have restored the missing parts.
- This furniture requires 2 people for assembly.
- Lay out all components and hardware separately on a flat surface and make sure that no parts are missing or damaged before assembly. Do not destroy or discard any packaging until you are certain that you have all the necessary parts for assembly.
- There are small components used in the construction of the furnitures. Loose items, plastic bags, and packaging films should be kept away from pets or children to avoid choking hazard or suffocations.
- Read this instruction manual prior to assembly and familiarize yourself with the various steps.
- Install all hardware perpendicular to the opening unless otherwise specified.
- Hand tight all hardware and careful not to over-tighten to avoid damaging the product.

## Assembly Symbols

- Follow sequential order.
- Build specified number of parts.
- Flip part as indicated.
- Rotate part as indicated.
- Choose your own assembly options.

- Pay attention to the part orientation.
- Leave bolts or screws partially tighten.
- Fully tighten bolts or screws.
- Level the furniture on the ground.

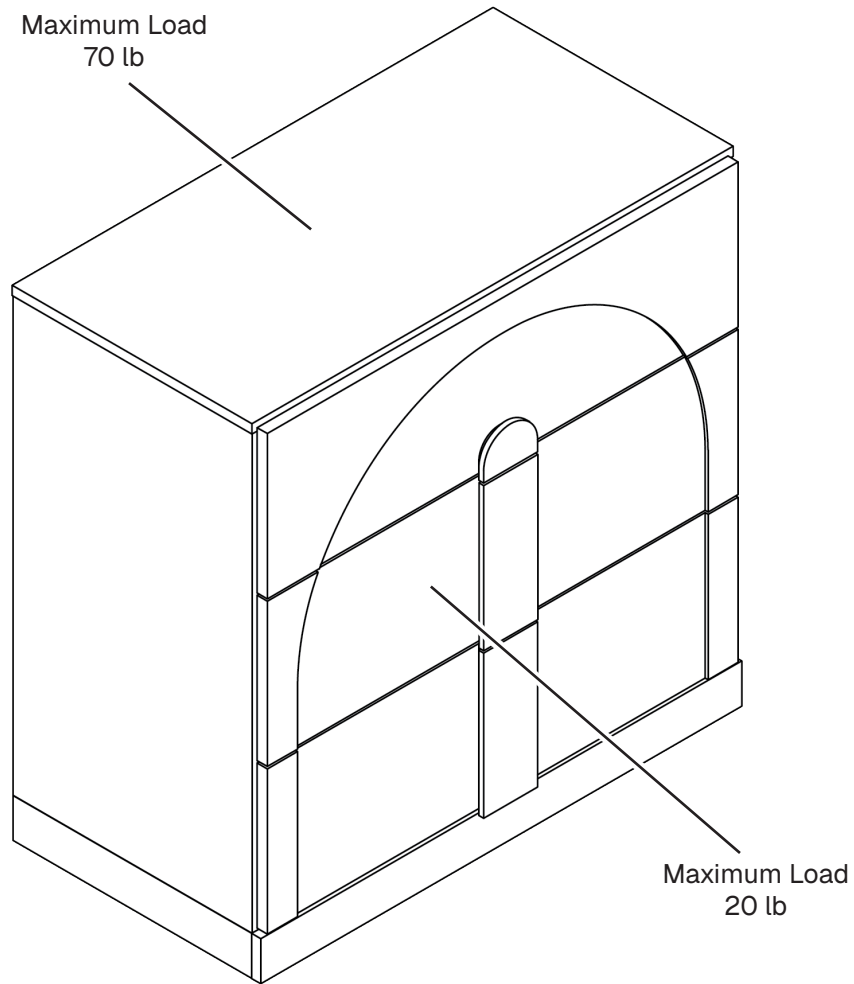


Estimated Time for Assembly

**120 mins**



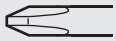
Weight Capacity Limitations are as Follows:



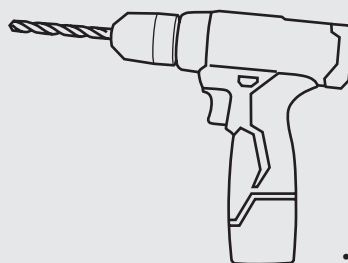
## Tools Needed



• Philips Screwdriver

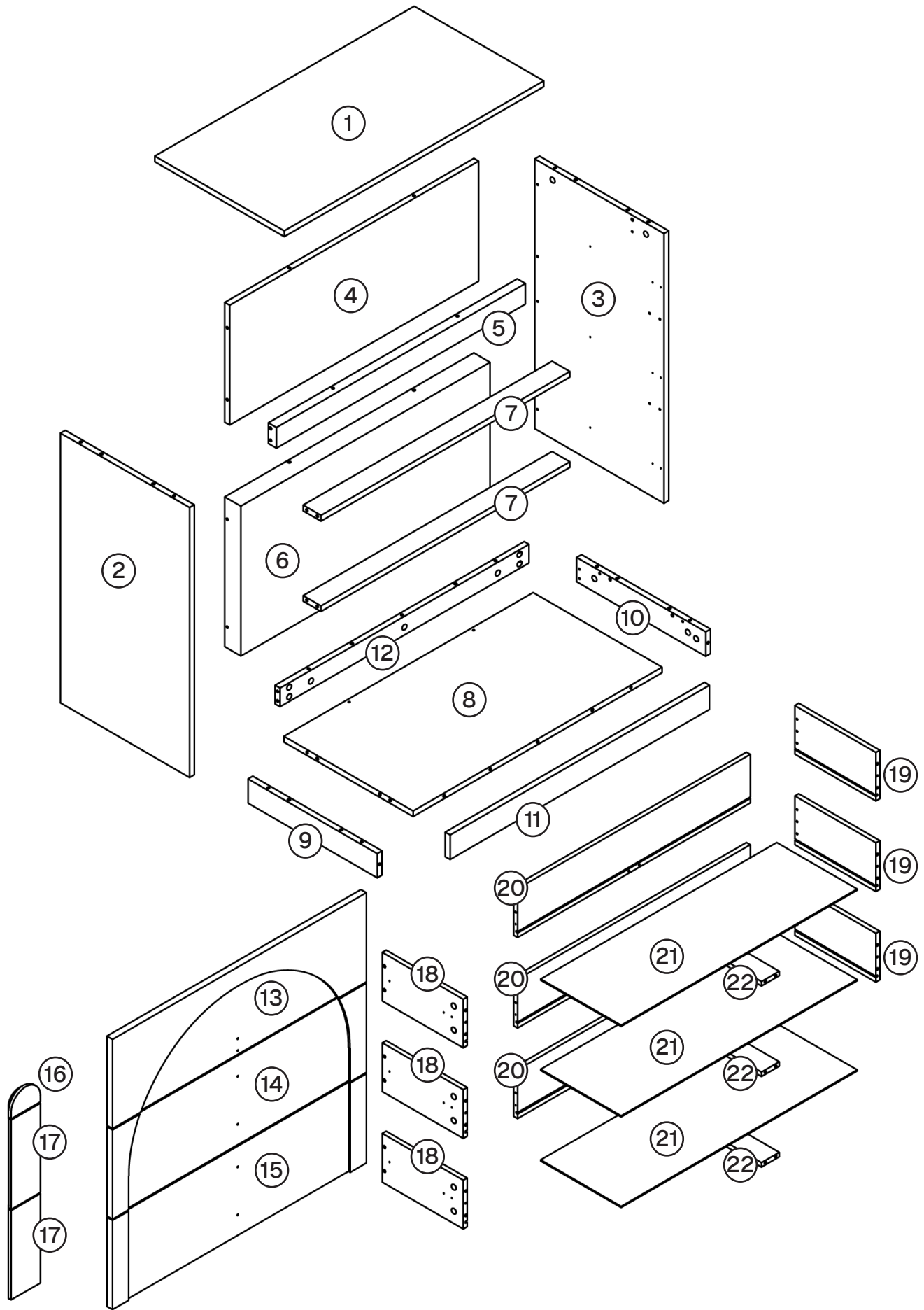


• Rubber Mallet Hammer



• Electric Drill

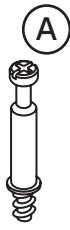
# Package Contents



## Package Contents

CODE	DESCRIPTION	QTY
1	Top Panel	1
2	Left Lateral Panel	1
3	Right Lateral Panel	1
4	Upper Back Panel	1
5	Upper Crossbar	1
6	Bottom Back Panel	1
7	Crossbar	2
8	Bottom Panel	1
9	Left Base Strip	1
10	Right Base Strip	1
11	Front Base Strip	1
12	Back Base Strip	1
13	Top Drawer Front Panel	1
14	Center Drawer Front Panel	1
15	Bottom Drawer Front Panel	1
16	Top Drawer Handle	1
17	Bottom Drawer Handle	2
18	Drawer Left Handle	3
19	Drawer Right Handle	3
20	Drawer Back Panel	3
21	Drawer Bottom Panel	3
22	Drawer Support Strip	3

# Package Contents



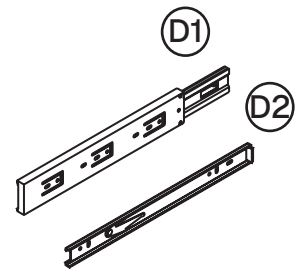
62x + 4x



62x + 4x



20x + 2x



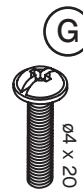
3x Set



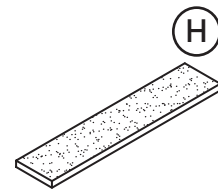
36x + 3x



18x + 1x



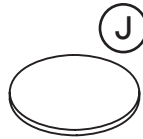
6x+1x



4x



24x + 2x



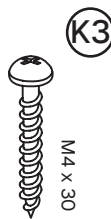
12x + 1x



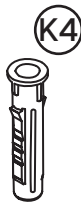
2x



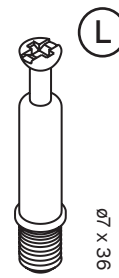
4x



4x

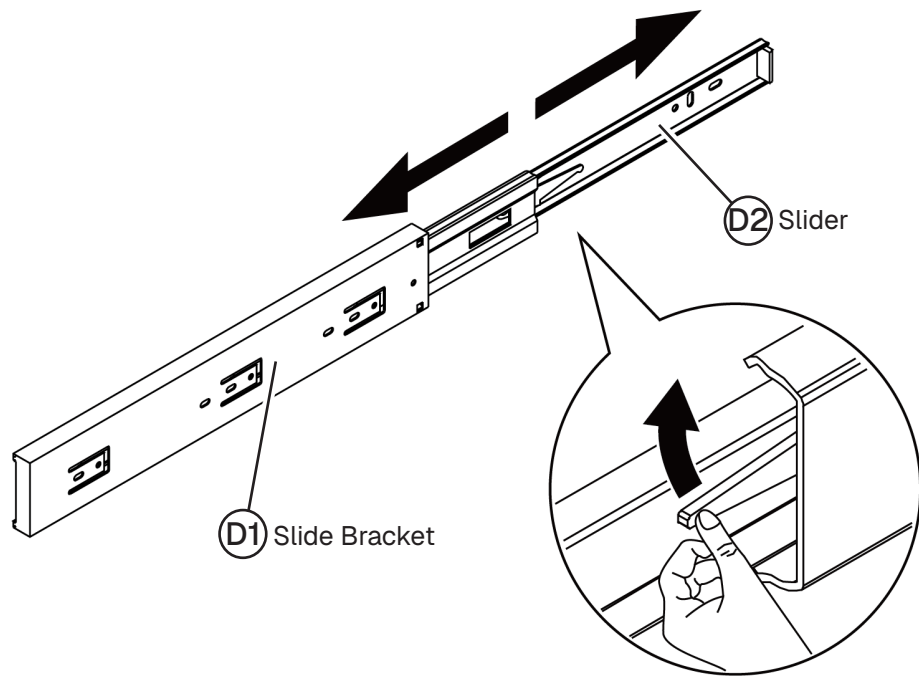


2x

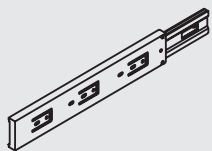


4x+1x

# 01 Detaching sliders from slide brackets



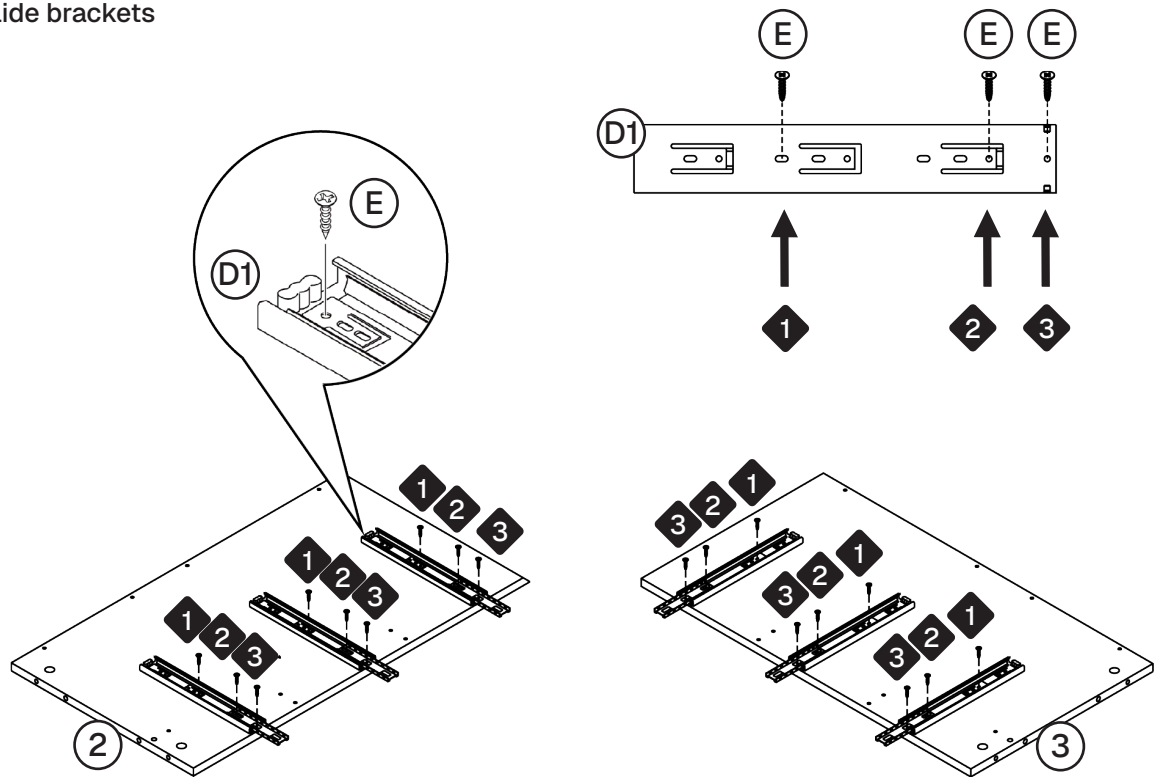
# 02 Attaching slide brackets



D1 6x



E 18x

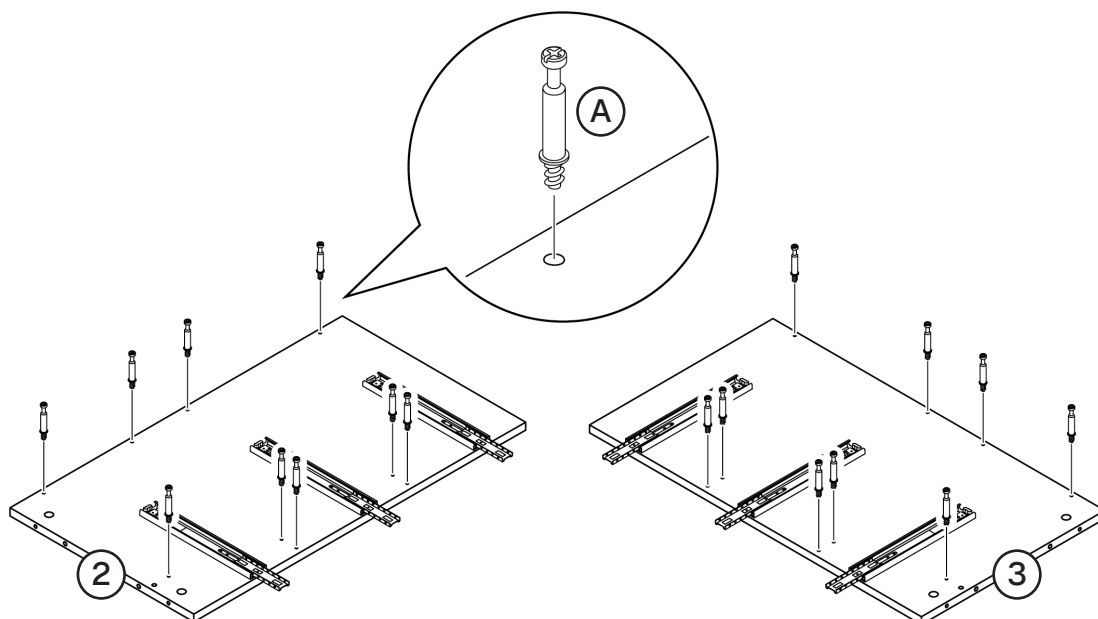


\*Assembly symbols **1 2 3** Follow sequential order

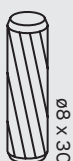
# 03 Lateral panels



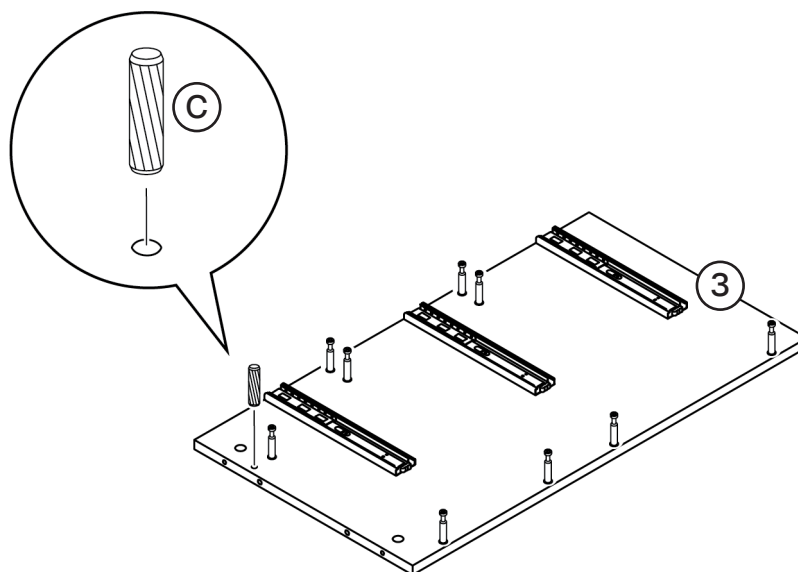
A 18x



# 04 Connecting back panels

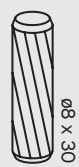


C 1x

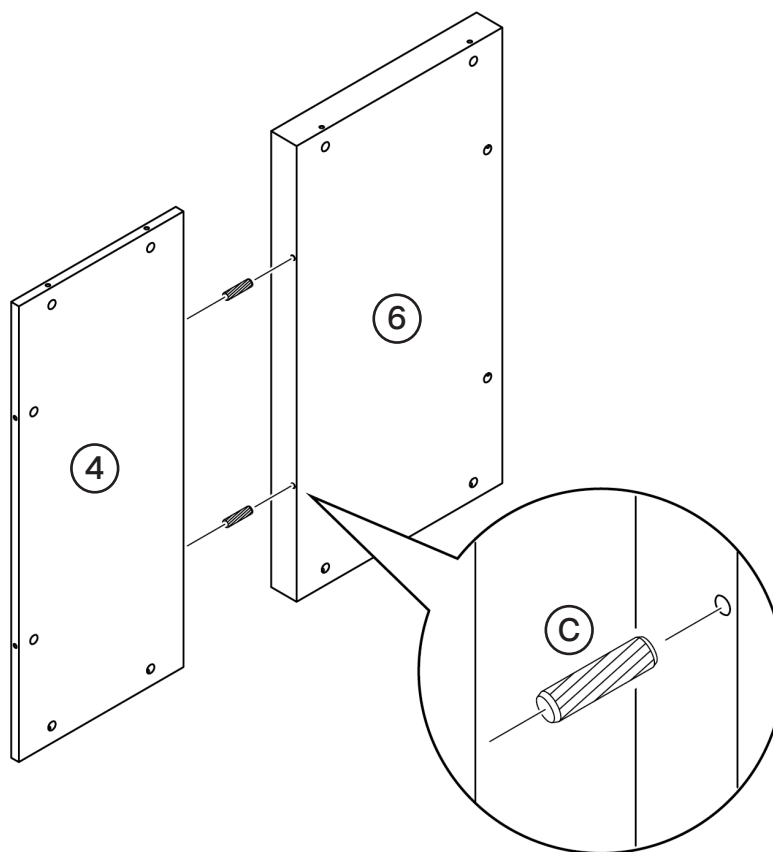


# 05

Right lateral panel



C 2x

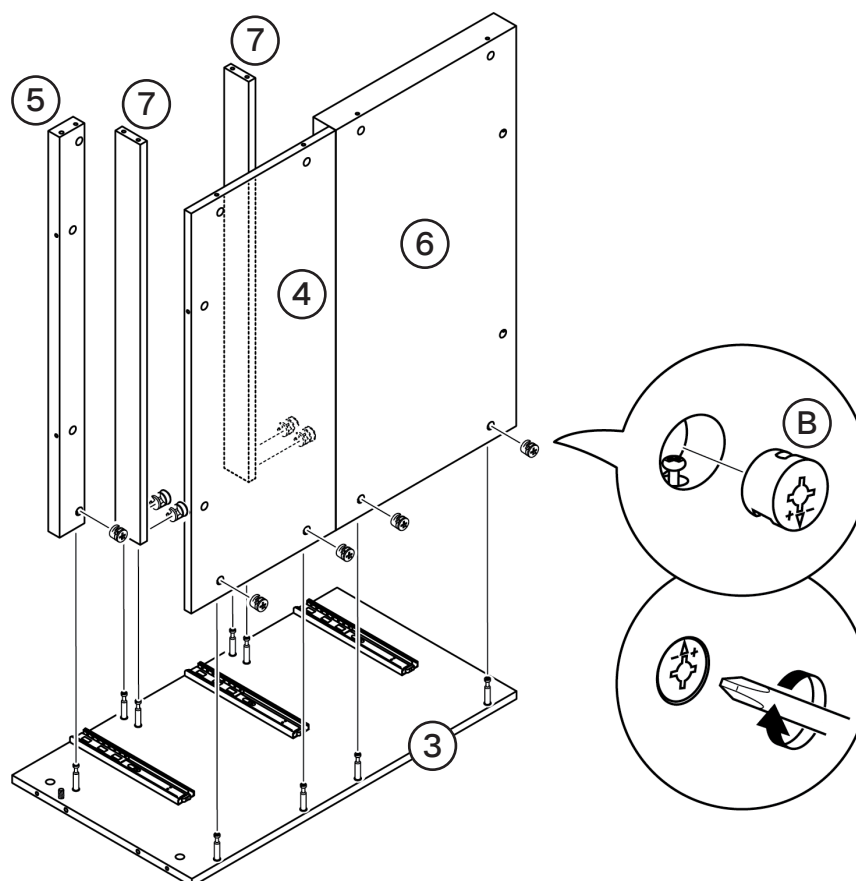


# 06

Attaching back panels and crossbars to right lateral panel

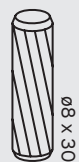


B 9x

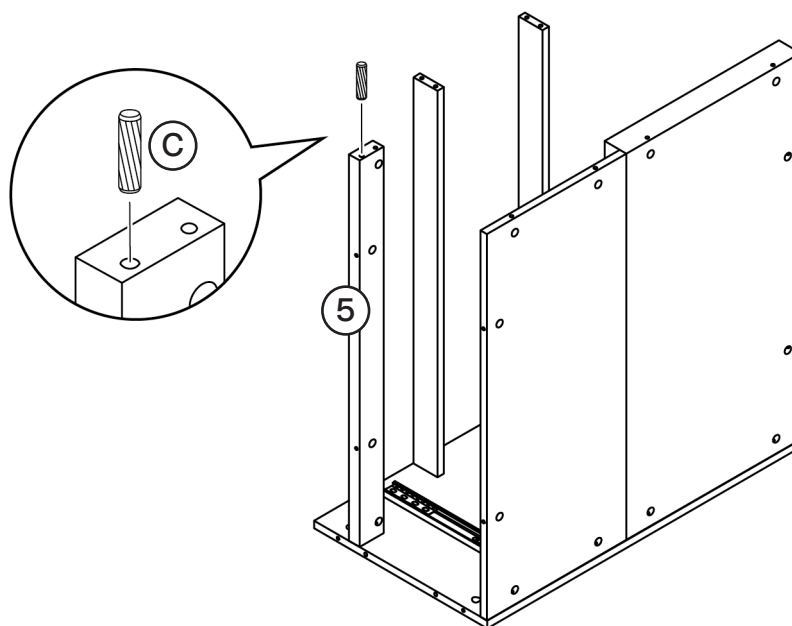


# 07

Inserting wood dowel to top crossbar



C 1x

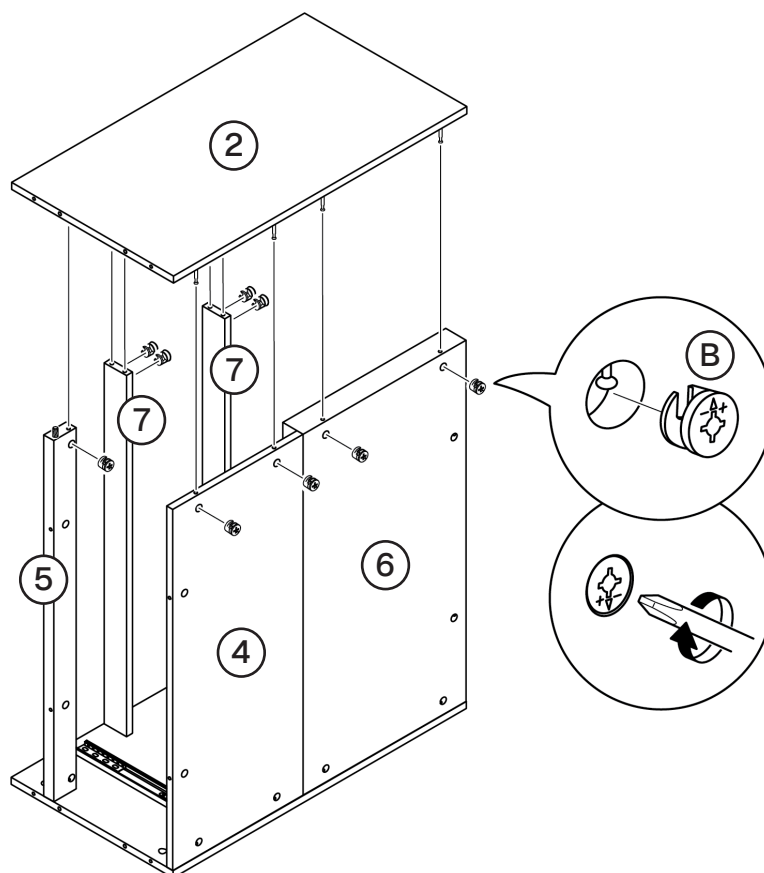


# 08

Attaching left lateral panel



B 9x

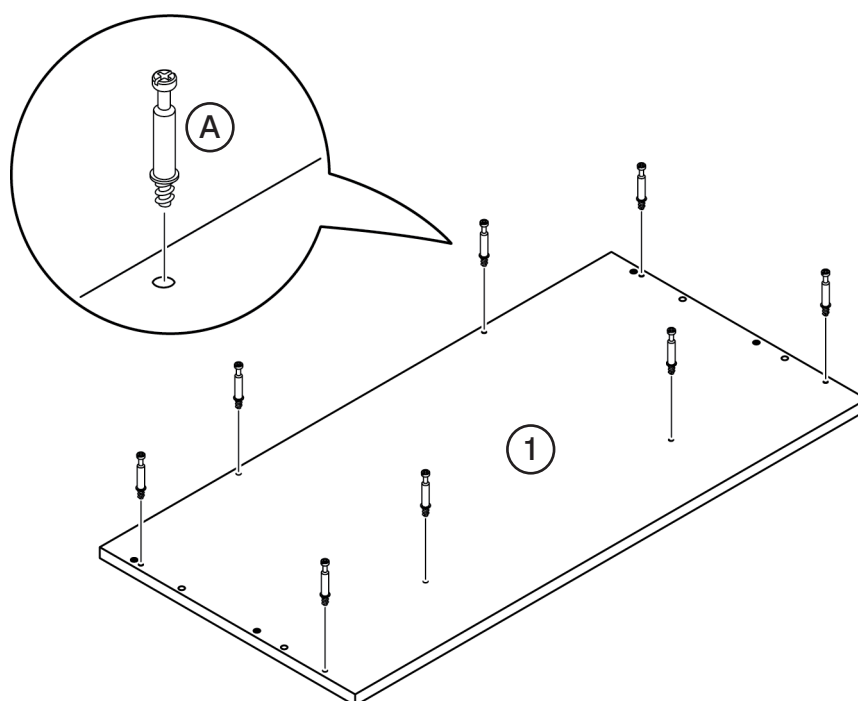


# 09

Top panel

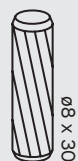


A 8x

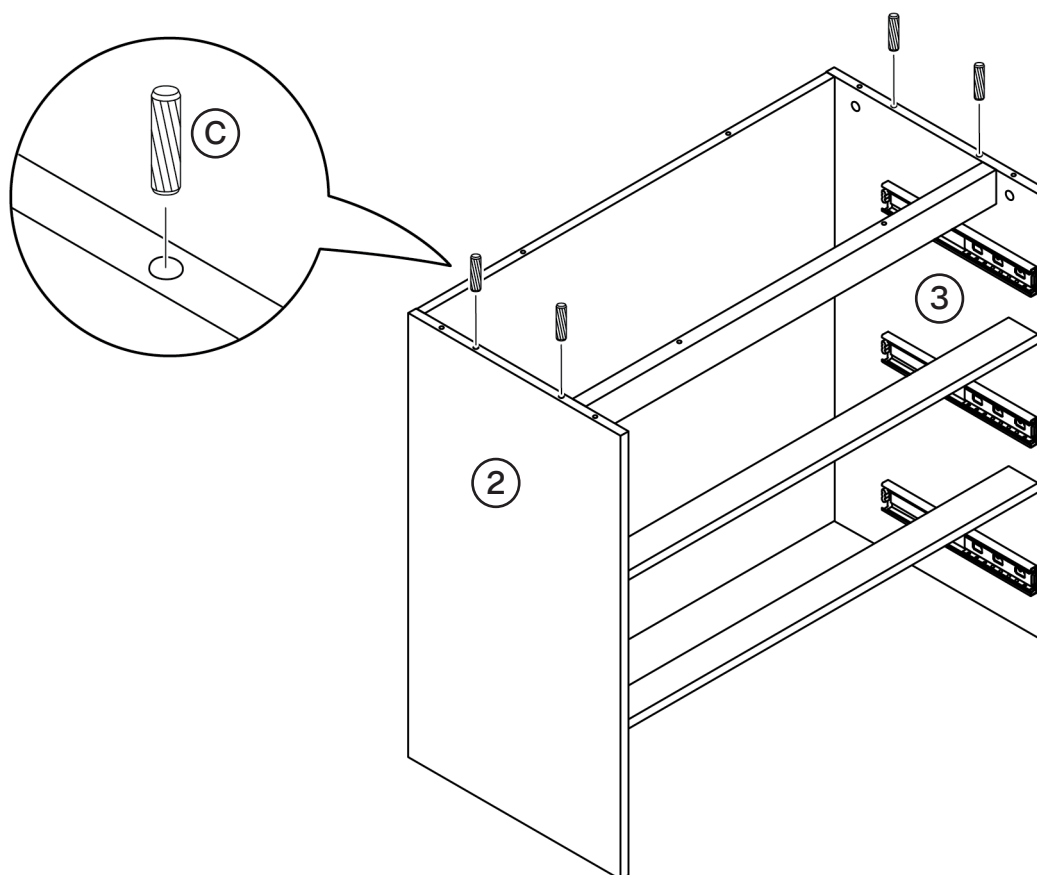


# 10

Inserting wood dowels on lateral panel



C 4x

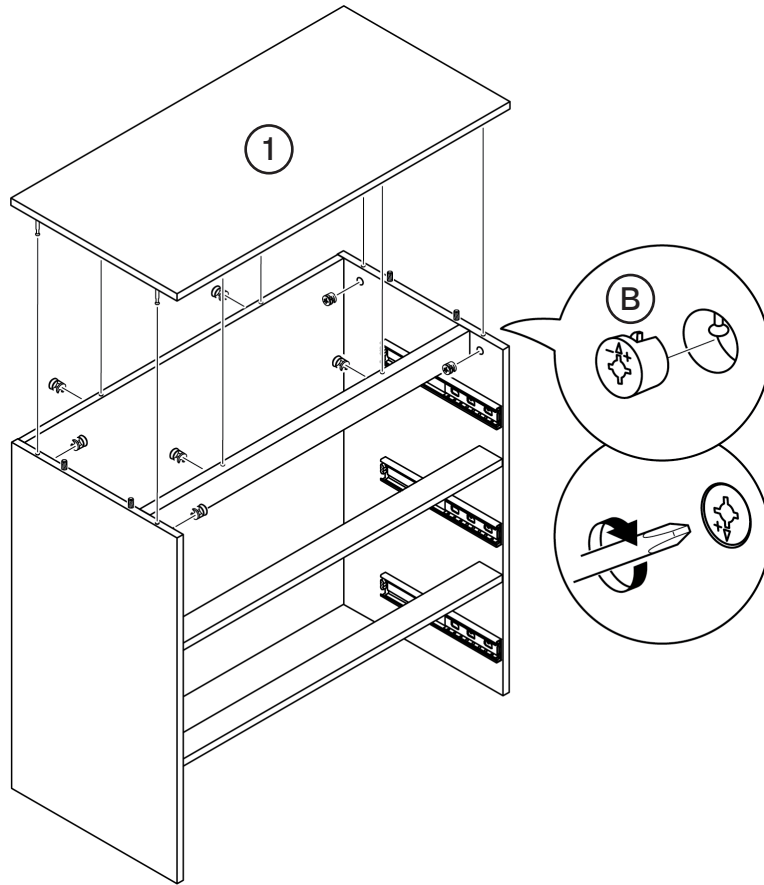


# 11

Attaching top panel



B 8x

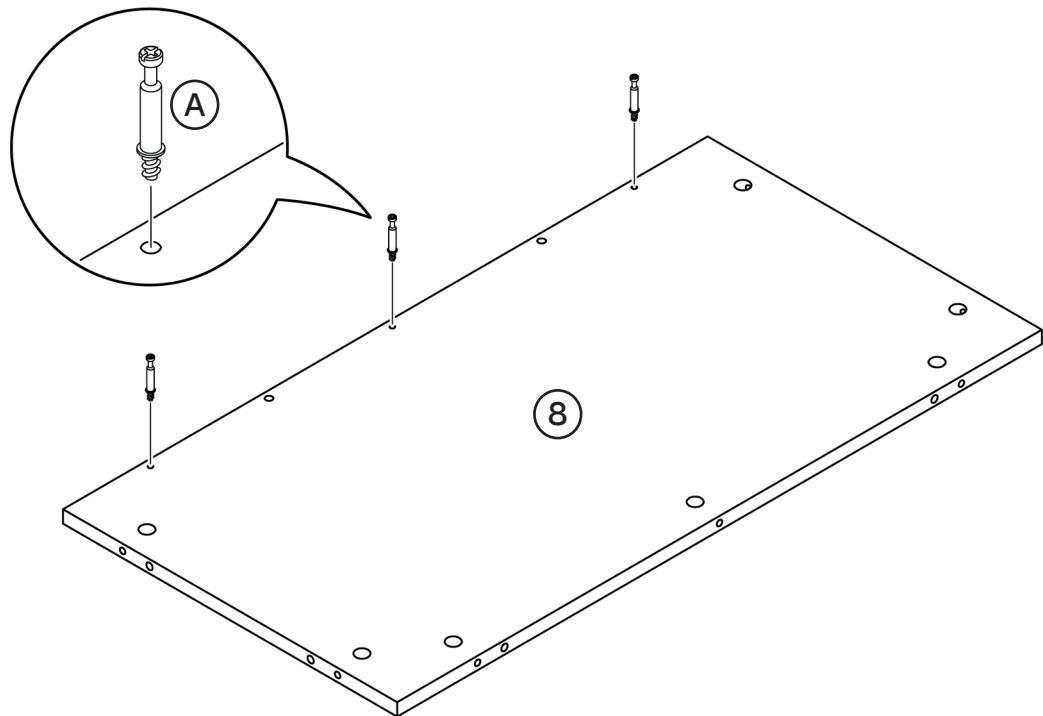


# 12

Bottom panel

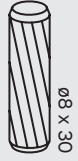


A 3x

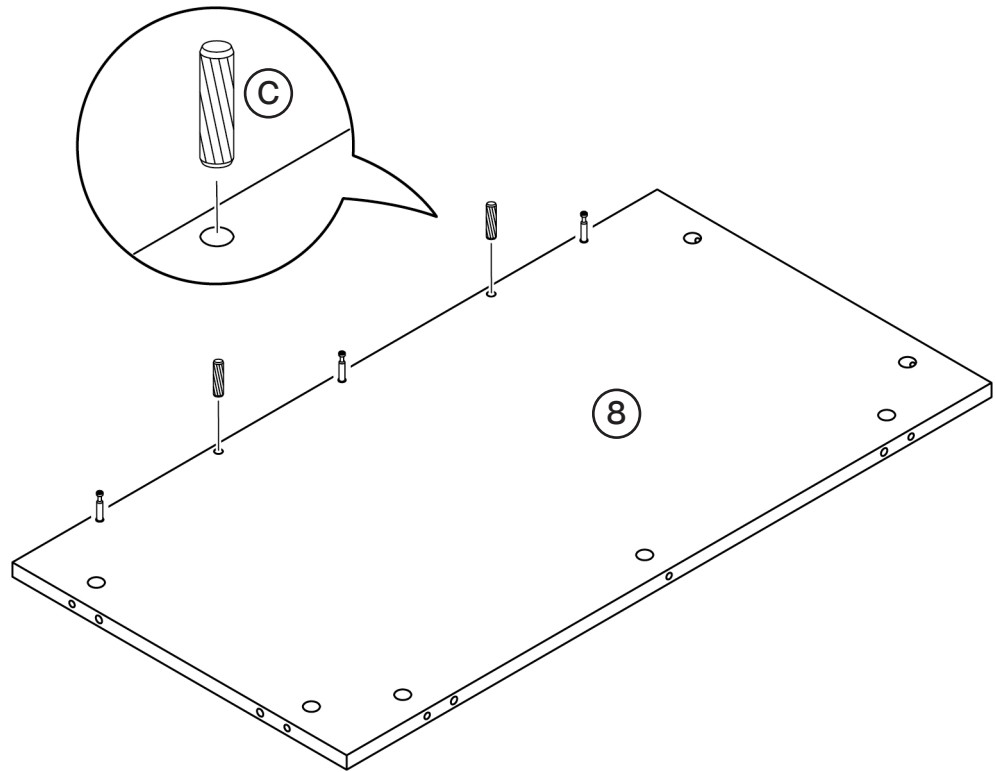


# 13

Bottom panel



C 2x

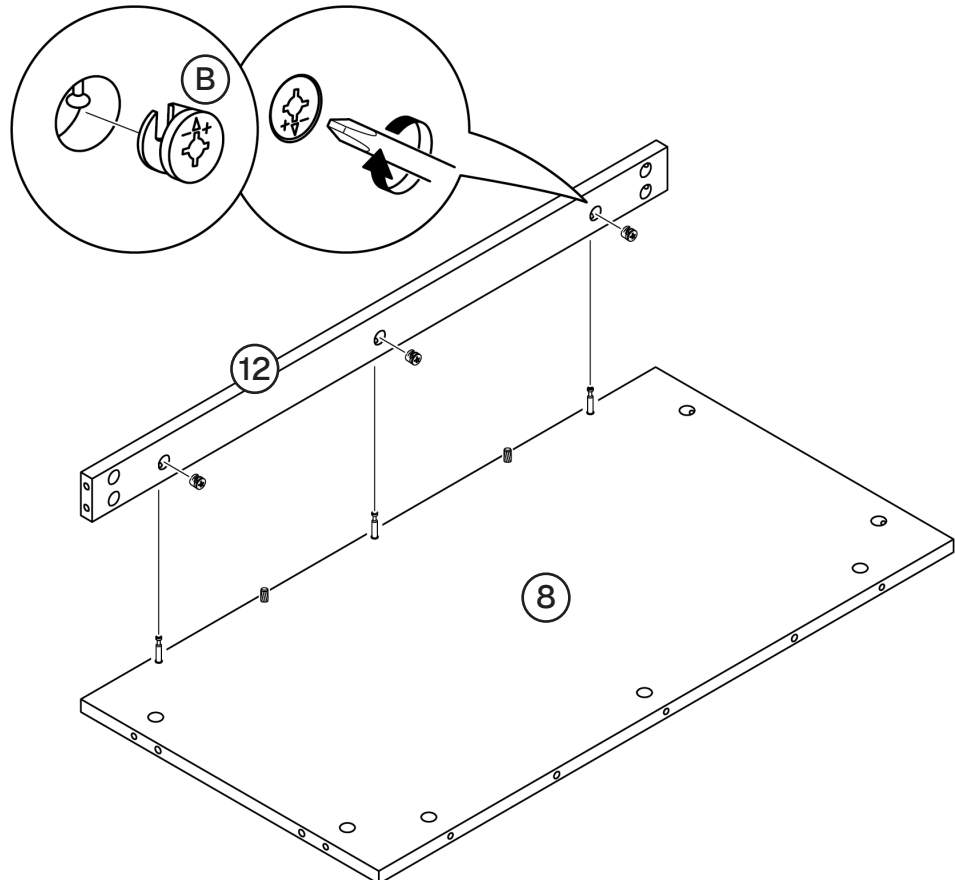


# 14

Attaching back base strip



B 3x

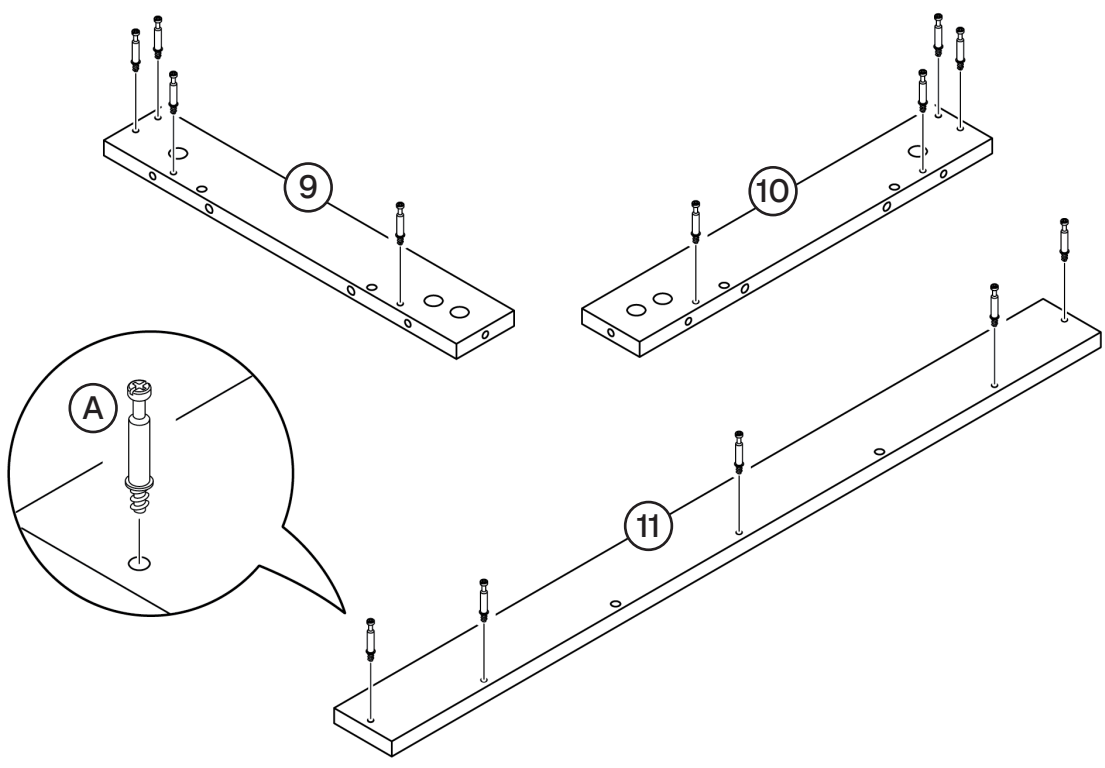


# 15

base strips

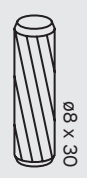


A 13x

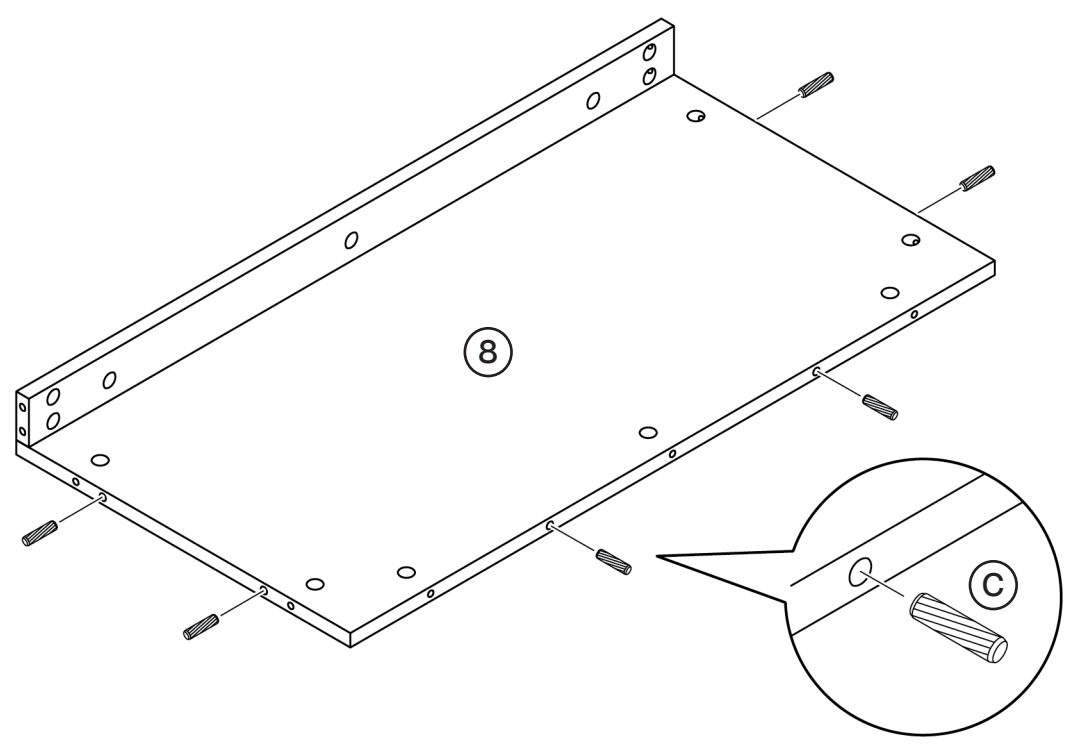


# 16

Attaching wood dowels to bottom panel



C 6x

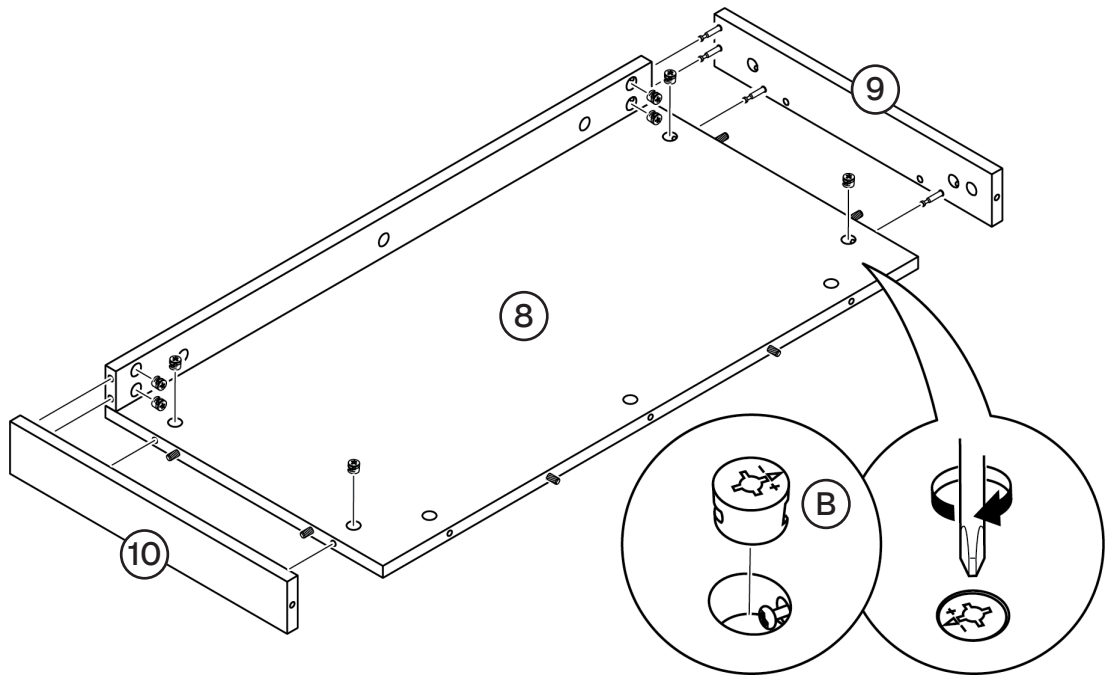


# 17

Attaching left and right base strip



B 8x

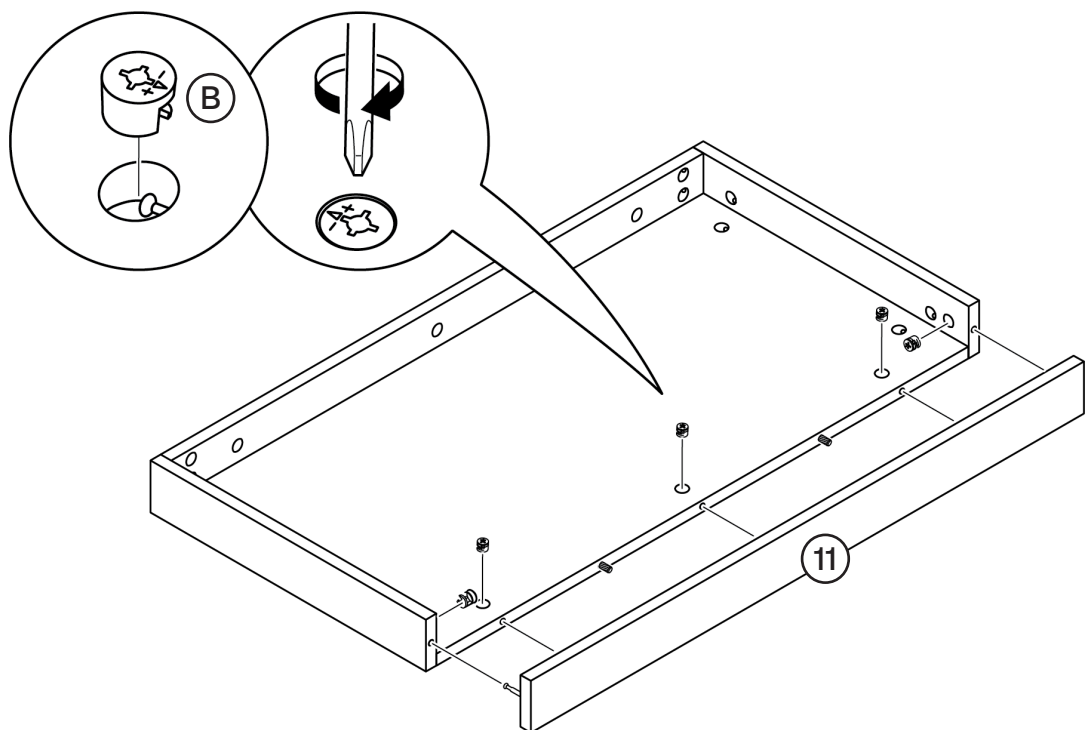


# 18

Attaching front base strip

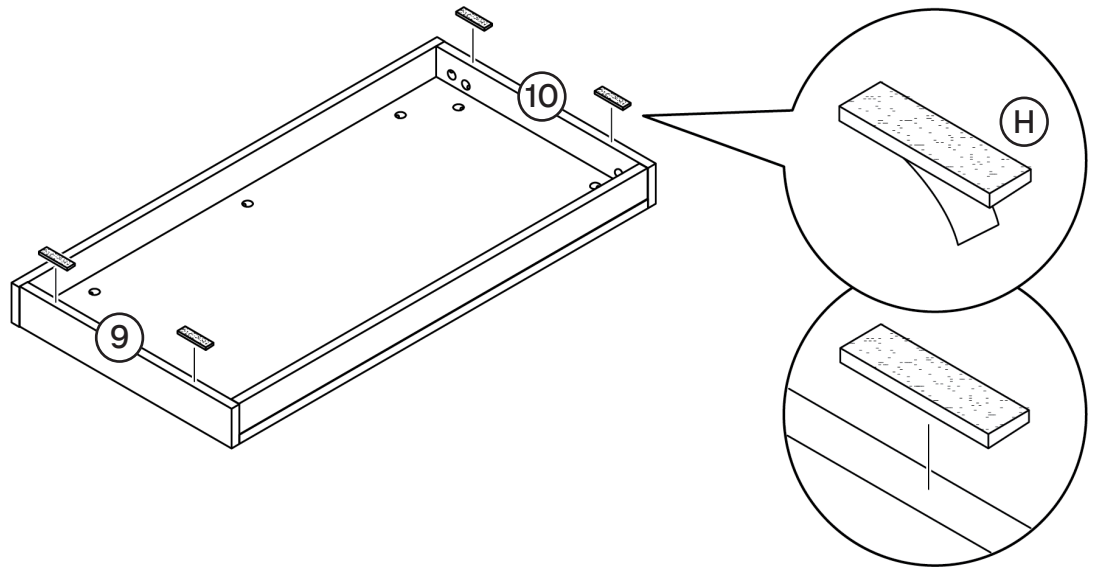
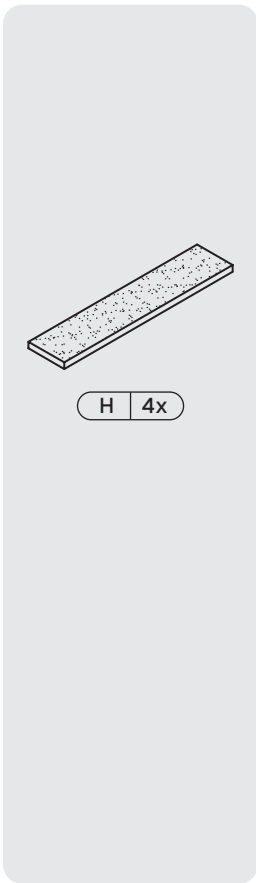


B 5x



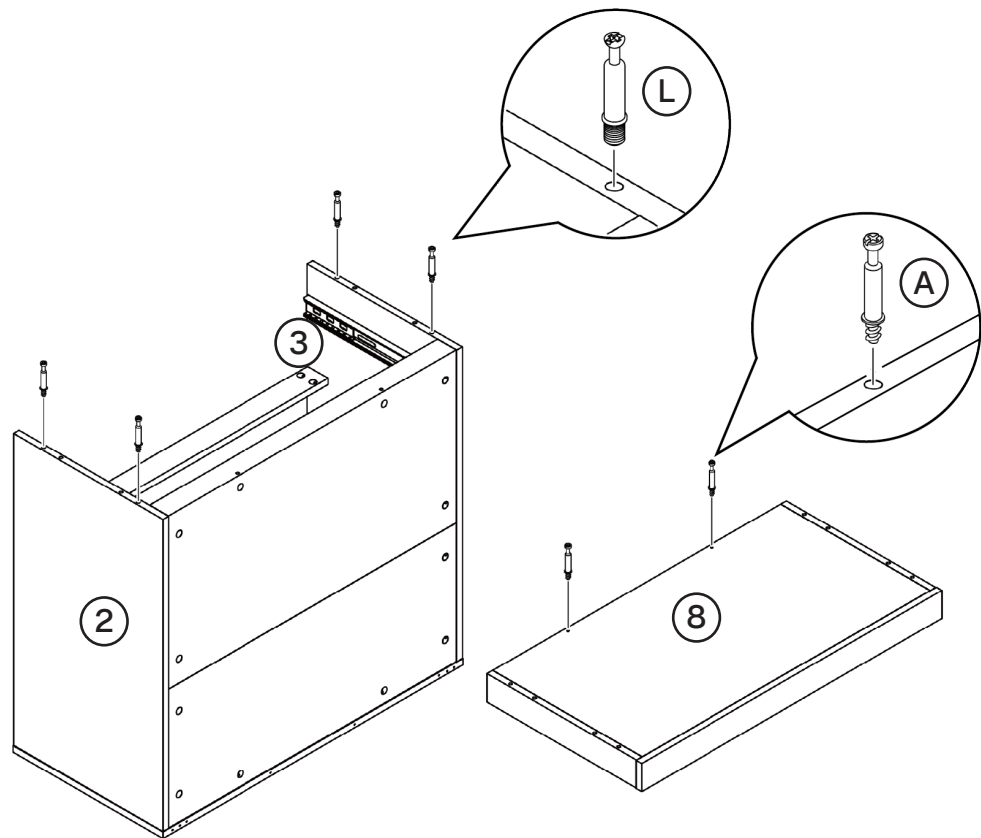
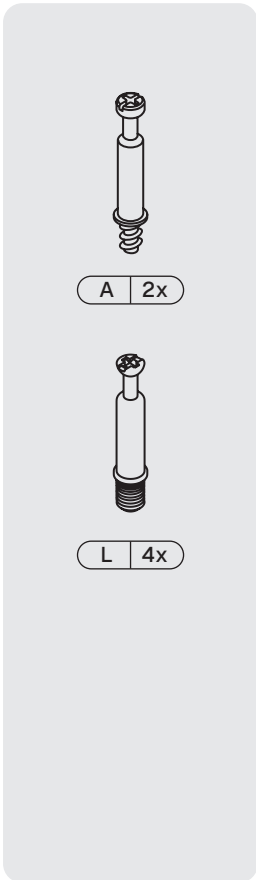
# 19

Attaching base pads



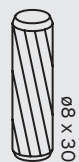
# 20

Base and lateral panels

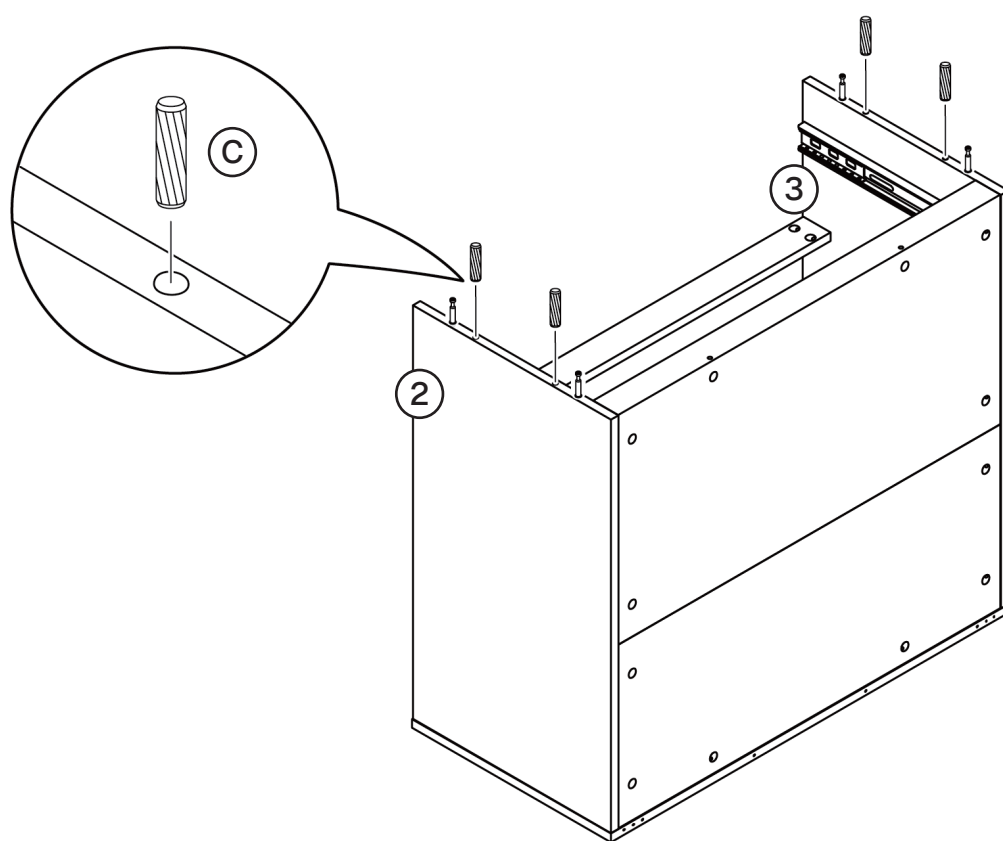


# 21

Lateral panels



C 4x

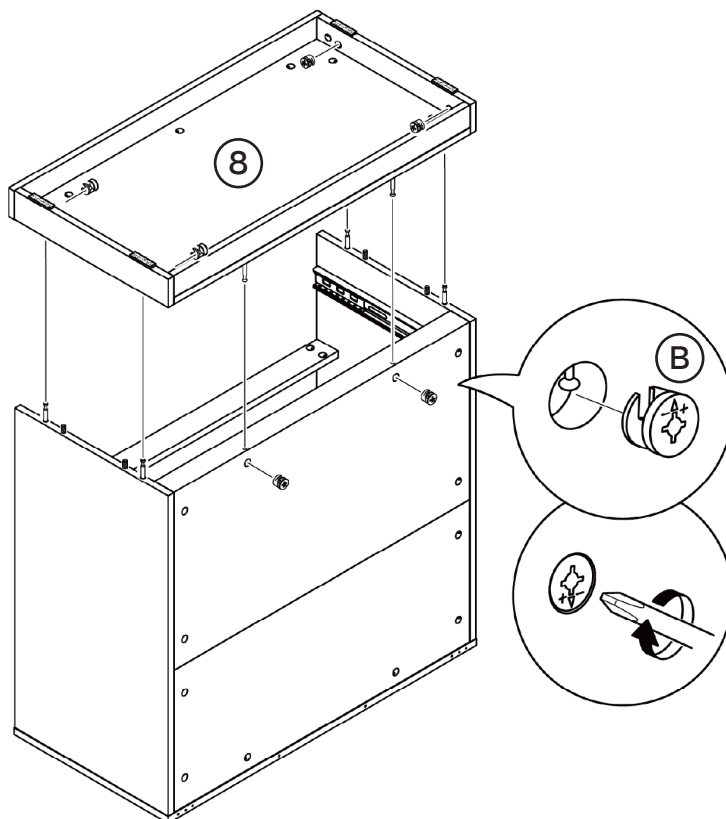


# 22

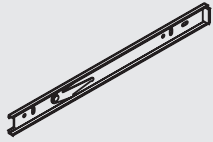
Attaching base



B 6x



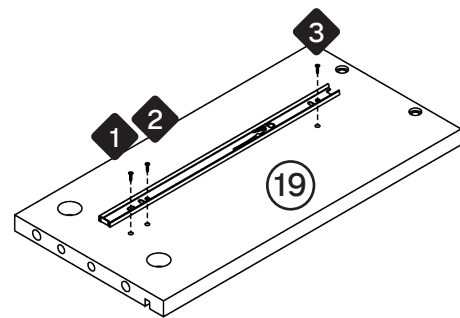
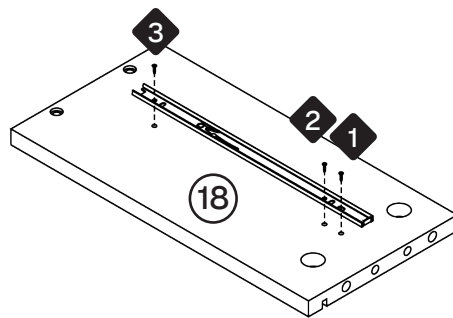
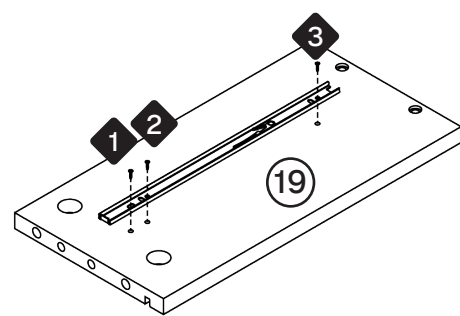
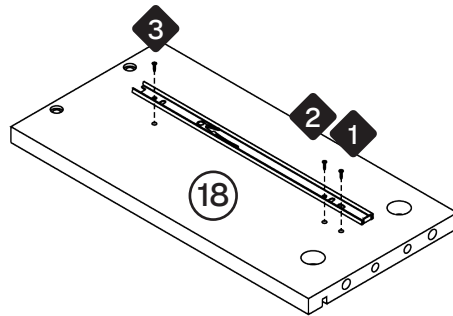
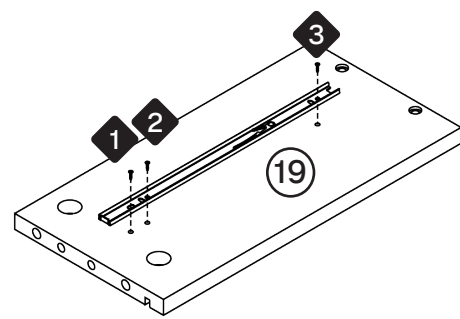
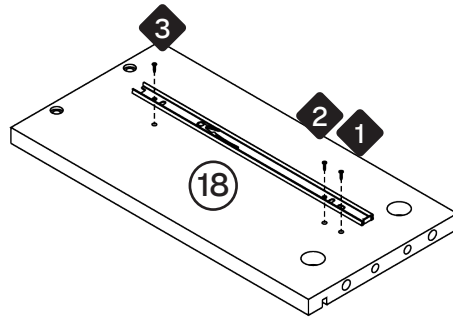
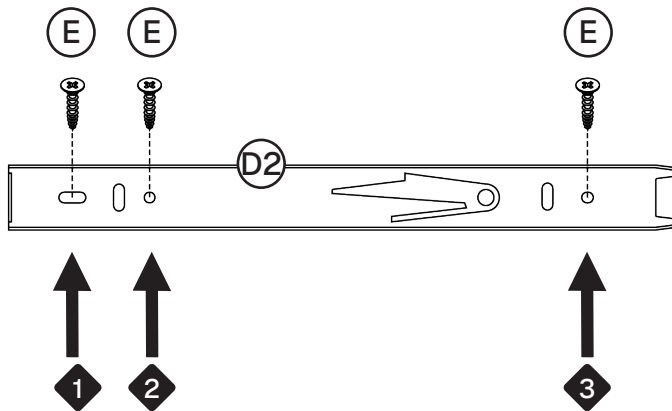
# 23 Attaching sliders



D2 6x



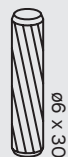
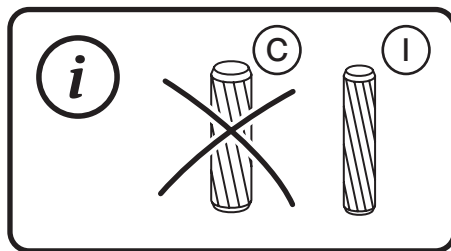
E 18x



\*Assembly symbols **1** **2** **3** Follow sequential order

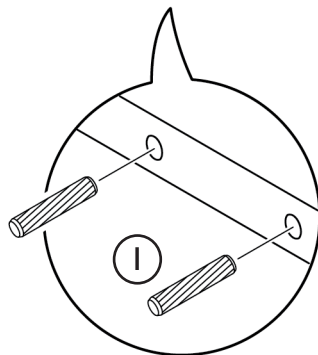
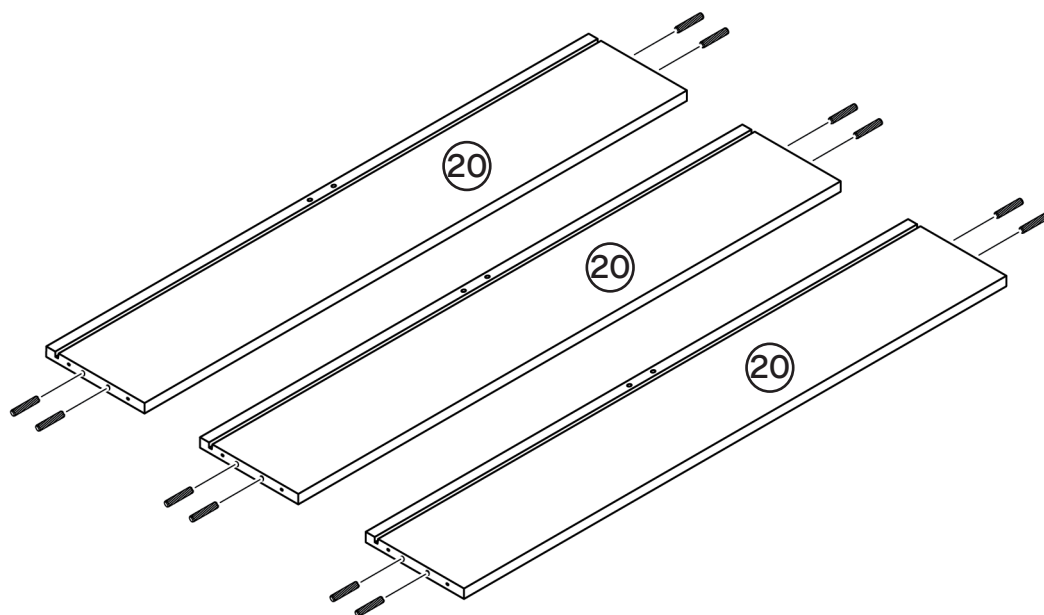
# 24

Drawer back panels



9.5 x 3.0

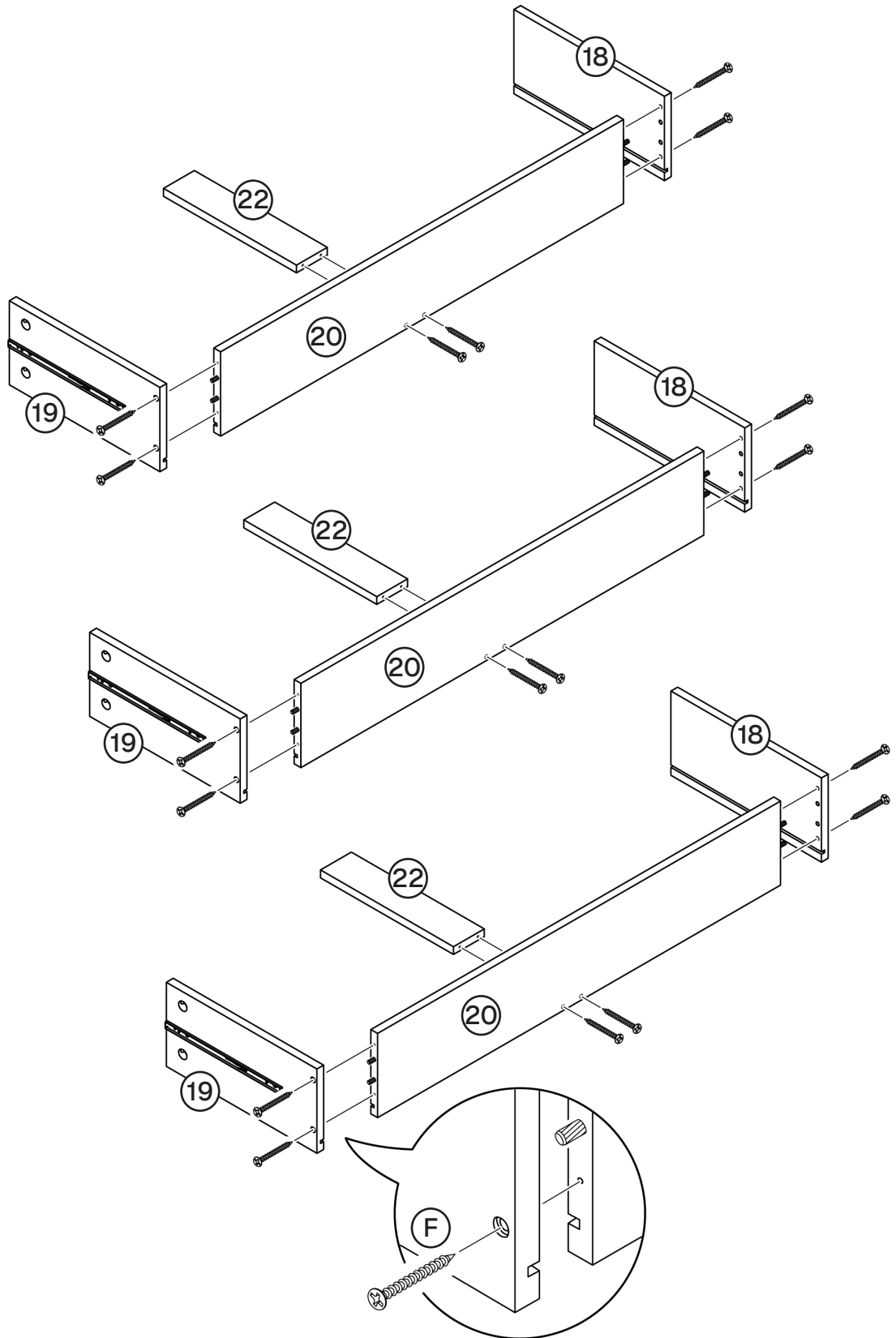
I 12x



# 25 Assembling drawer trays

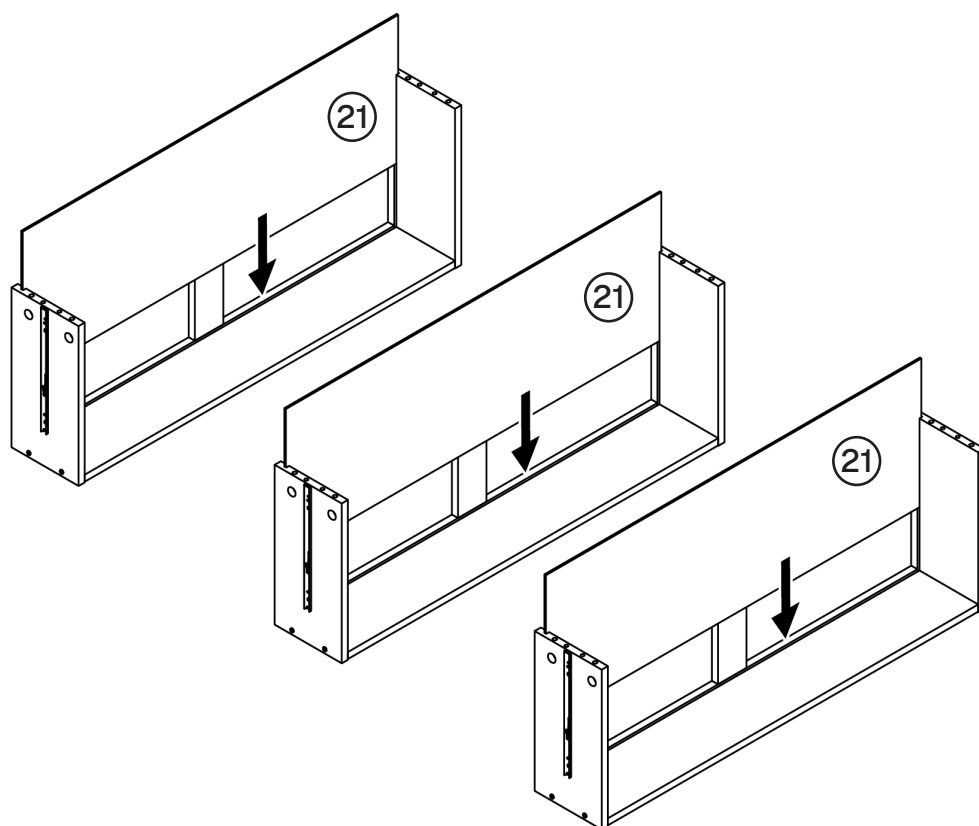


F 18x



# 26

Sliding in drawer bottom panels

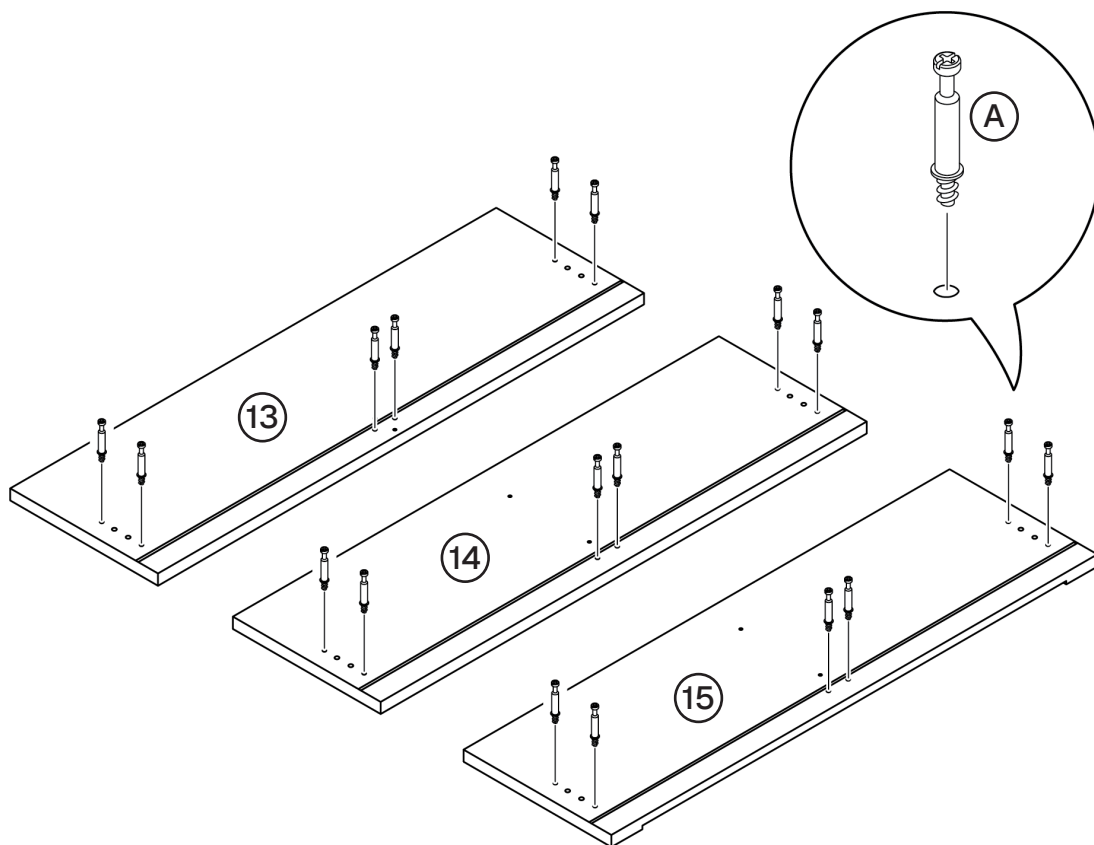


# 27

Drawer front panels



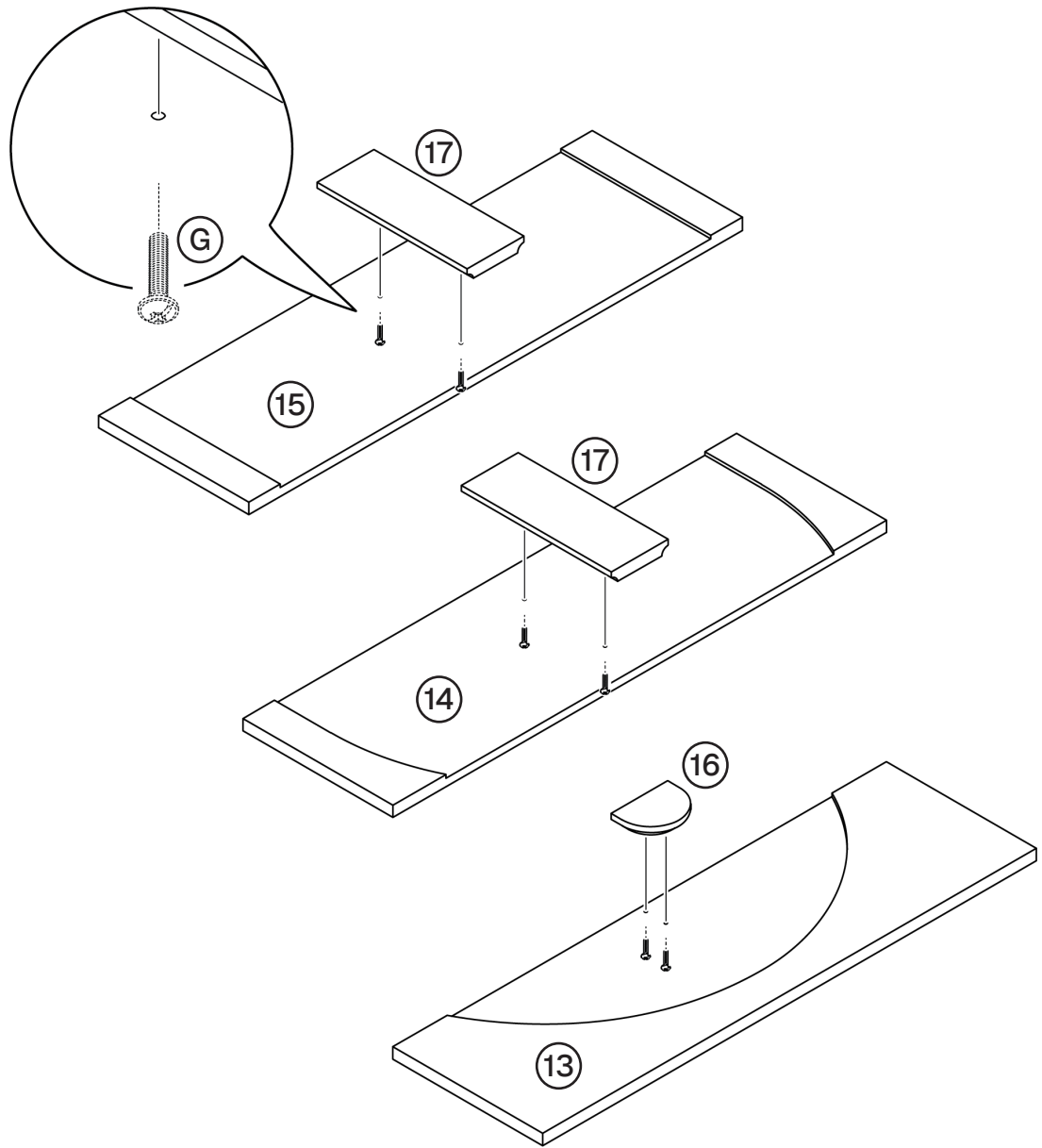
A 18x



# 28 Attaching drawer handles

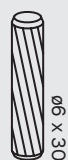
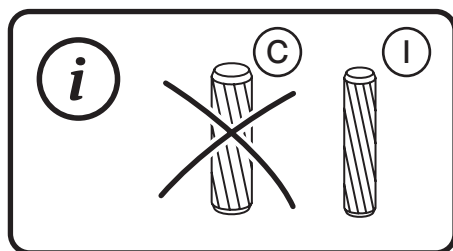


G 6x

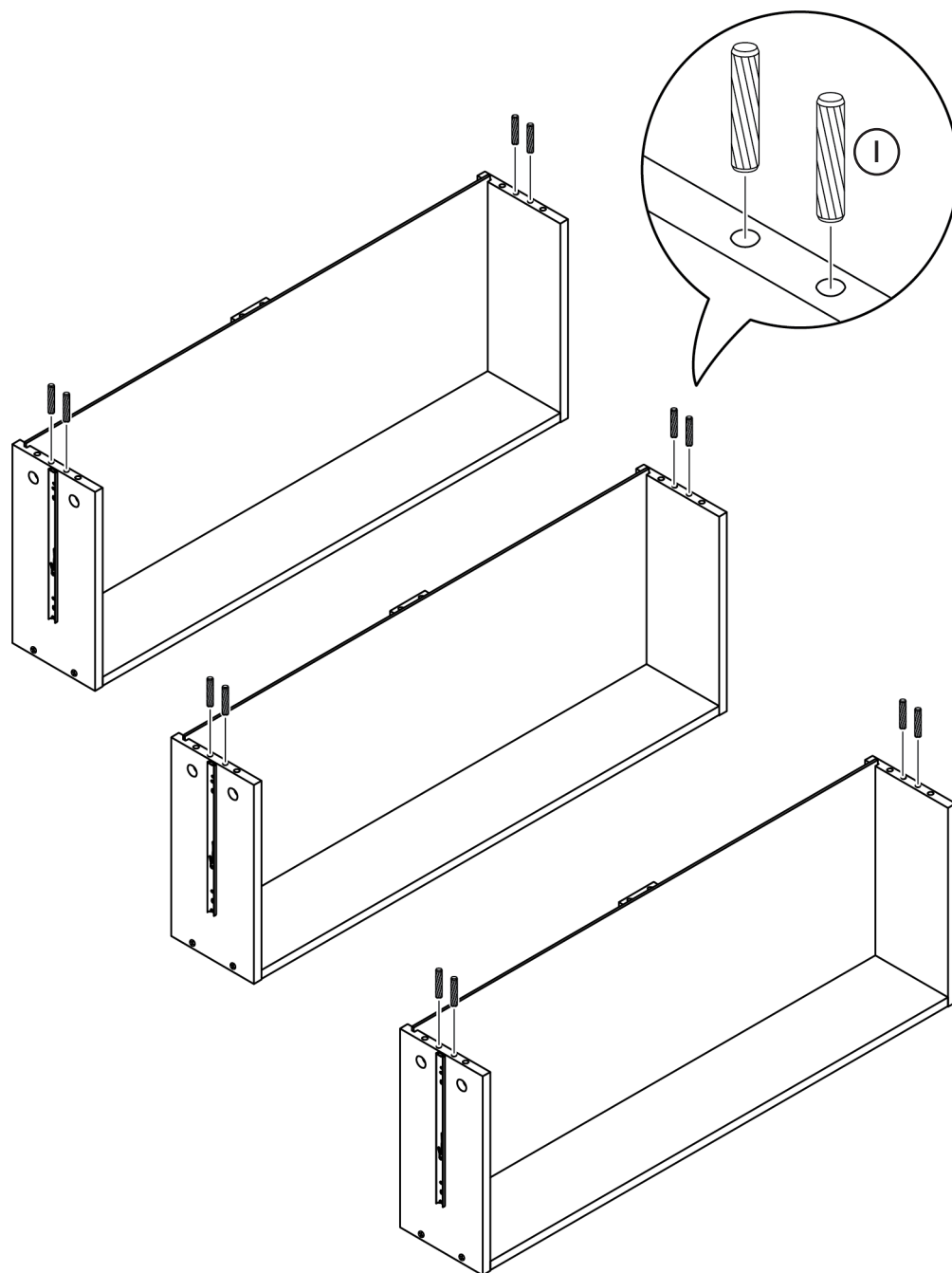


# 29

Inserting wood dowels to drawer side panels



I 12x



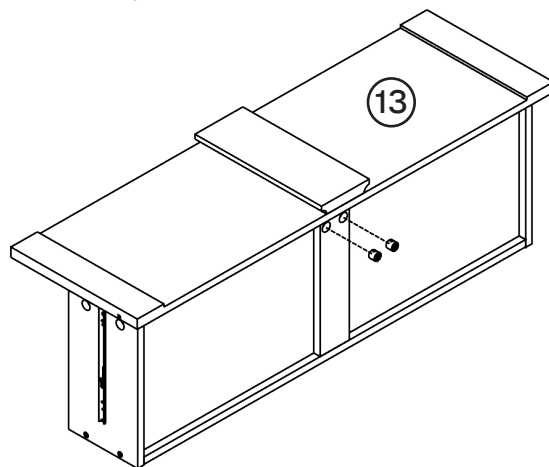
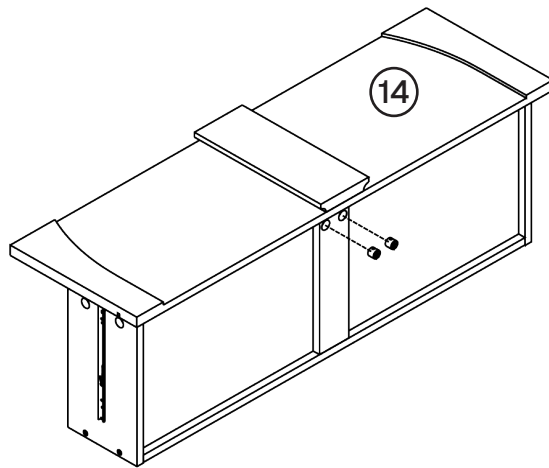
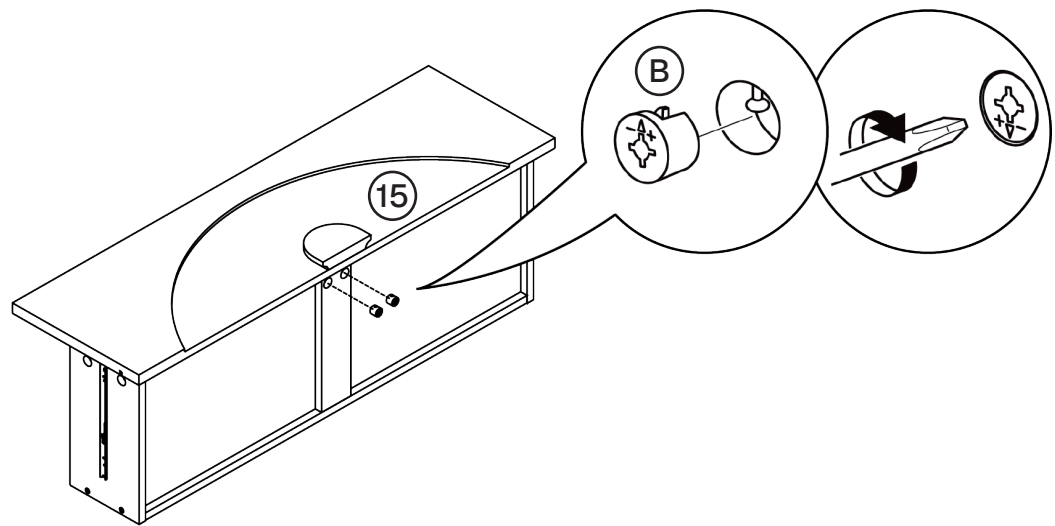


# 31

## Securing drawer front panel to support strip

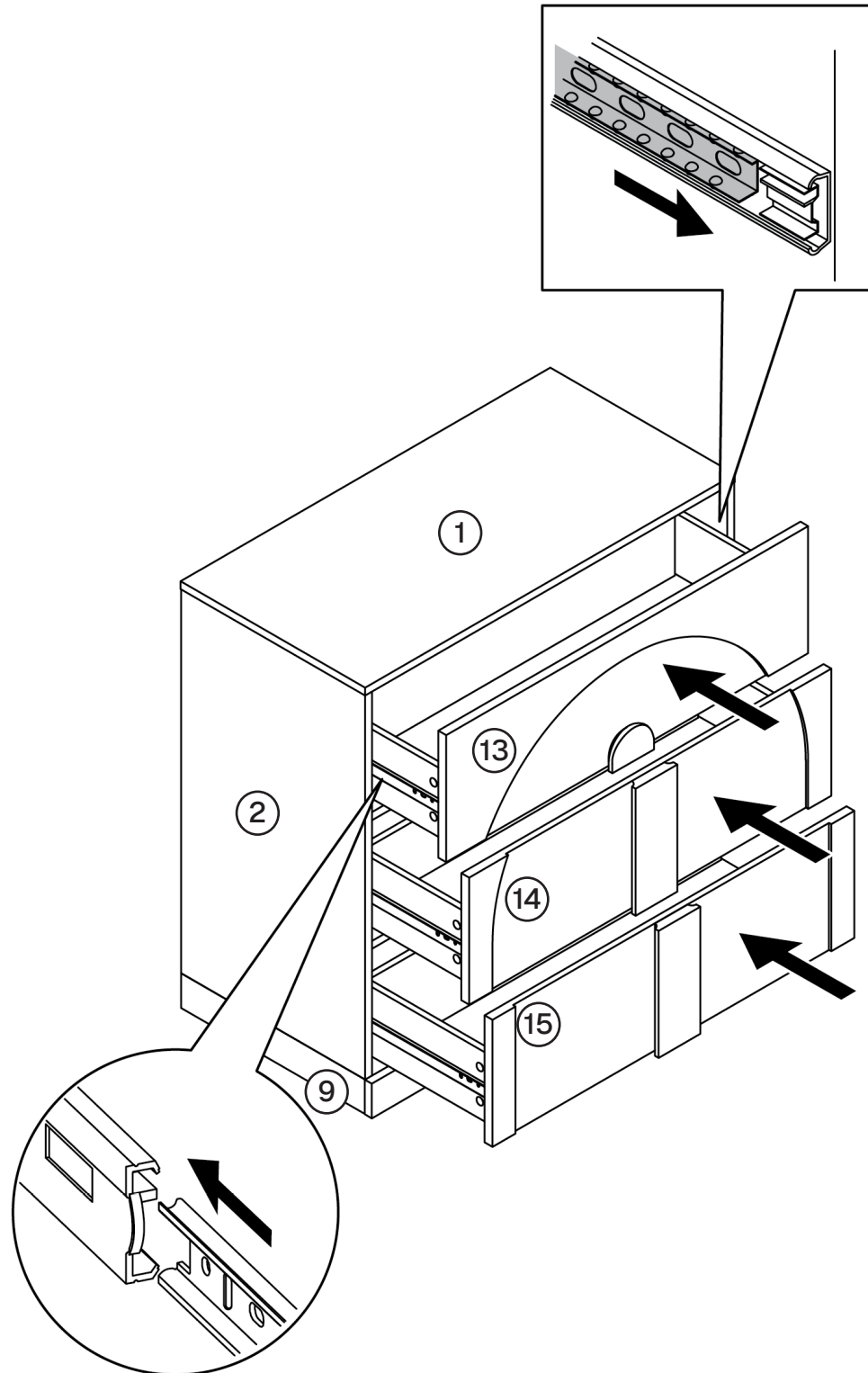


B 6x



# 32 Sliding drawers into the cabinet

Note: Slide the zinc color slider plate to the forward position.



# 33 Attaching anti-tipping straps



K1 2x



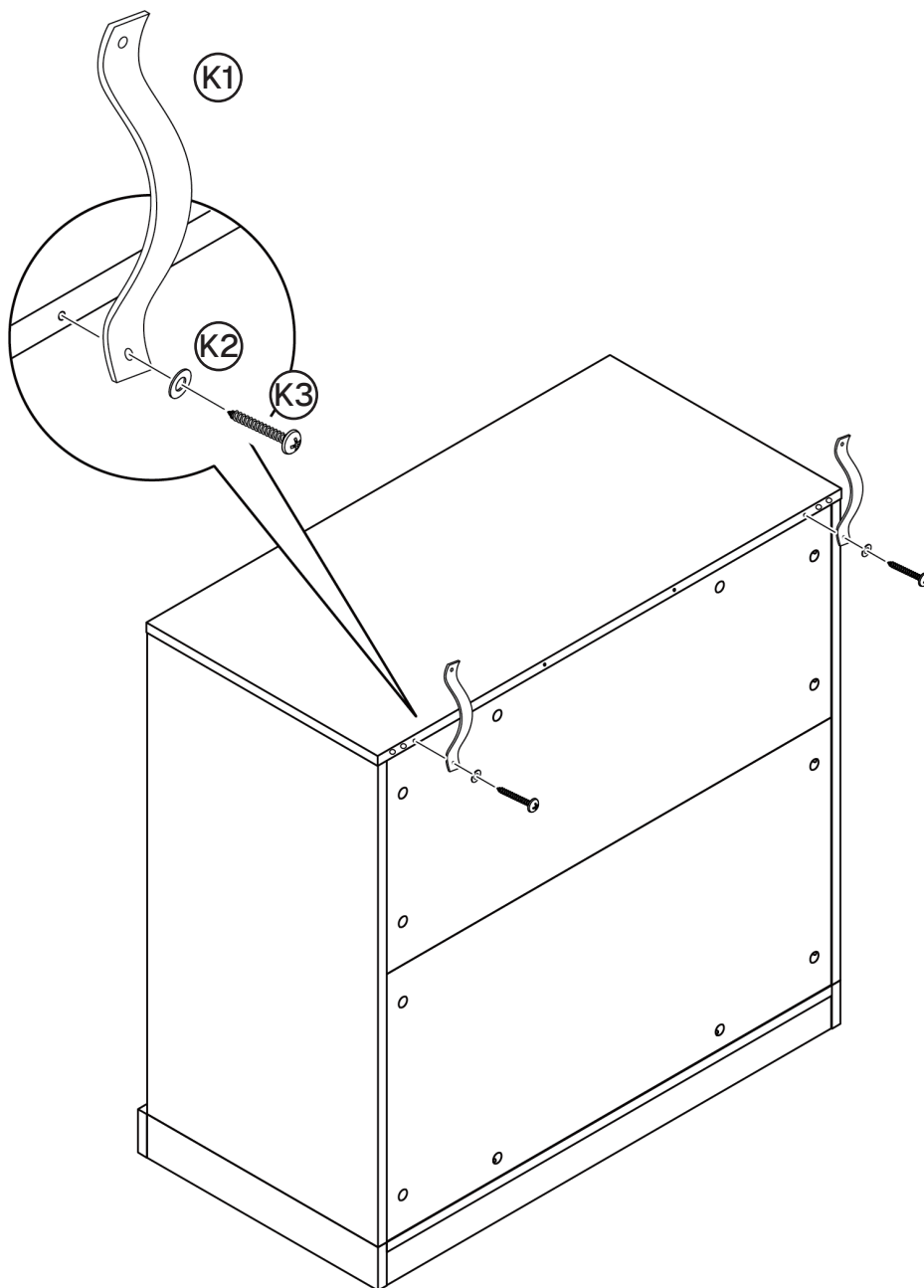
K2 2x



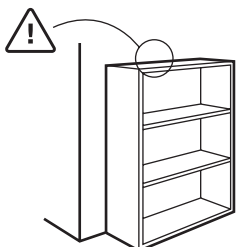
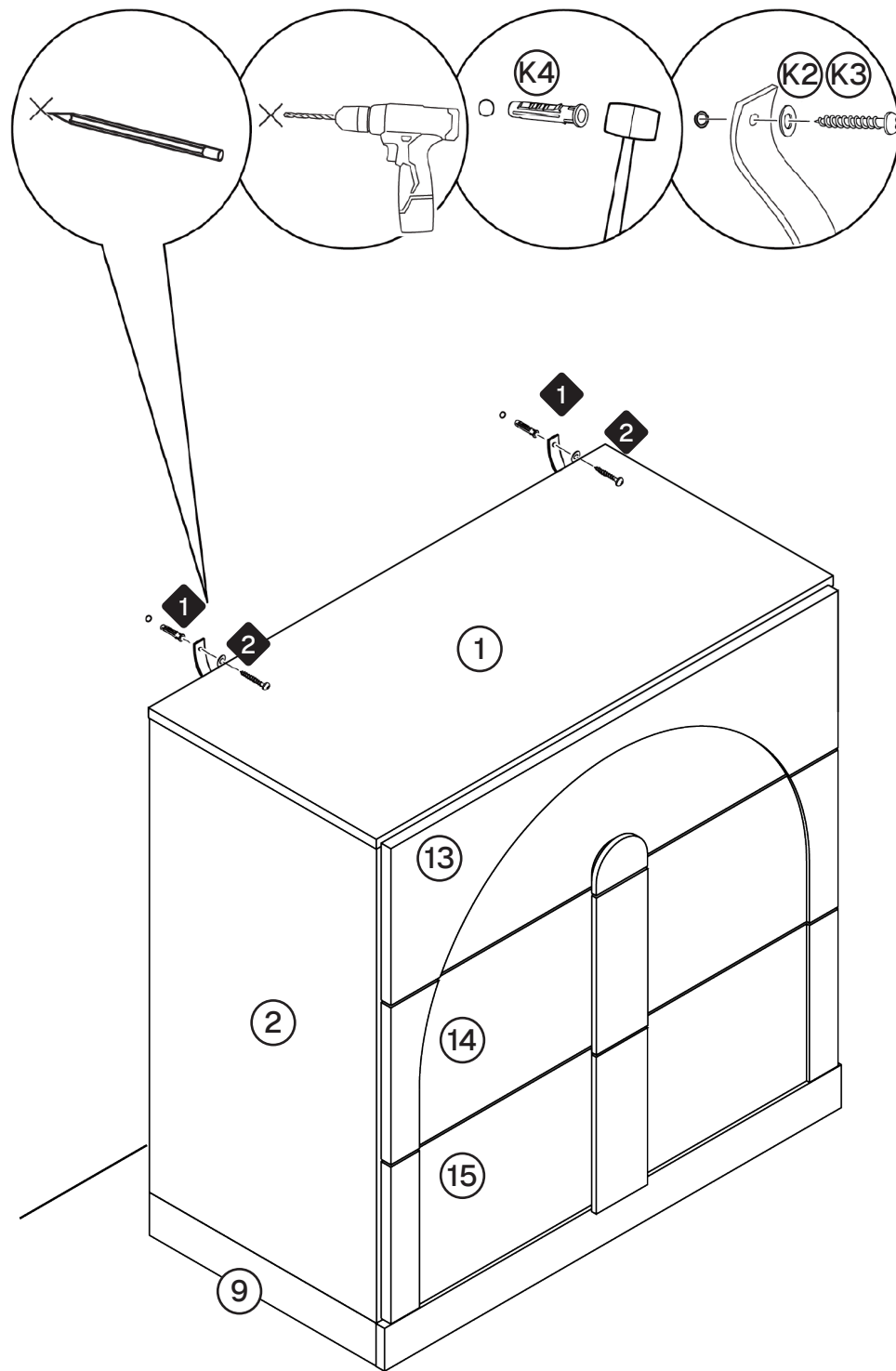
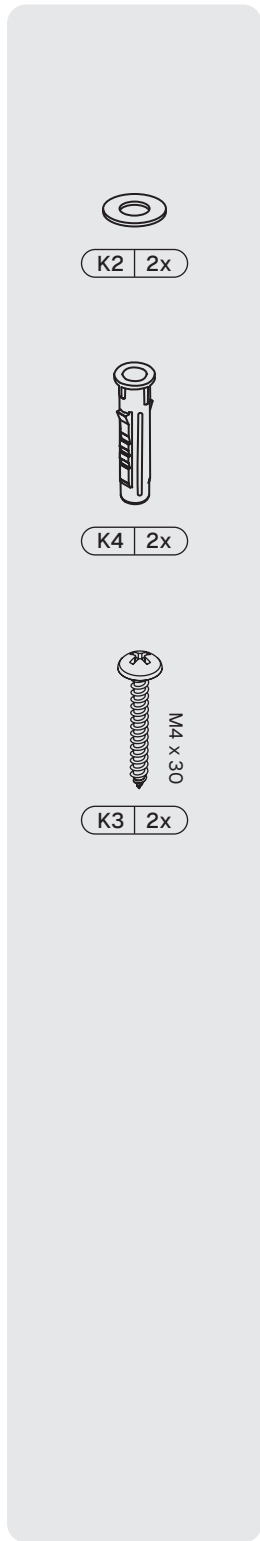
M4 x 30

K3 2x

★ Note: This step does not need to be performed when combined with the bijou Hutch.



# 34 Affixing the cabinet to a wall



Furniture must permanently fixed to the wall stud with included anti-tipping device to prevent the furniture from tipping over.

- Mark the drill position on the wall with a pencil.
- Drill a small hole on the marked position.
- Insert a wall anchor into the drilled hole.
- Fixed the anti-tipping strap to the wall with provided screws.

\*Assembly symbols **1** **2** Follow sequential order

## Care and Maintenance

Thank you for your purchase. We want your item to last as long as possible. To ensure the product gives you years of longevity, please follow the recommendations in this care and maintenance guide.



### Maintenance

- Tighten all bolts and crews again within the first 2 weeks of assembly.
- Check the tightness of all bolts every 2 months and re-tighten them if they come loose.



### Cleaning

- Clean the surface of the MDF (medium density fiberboard) with a lightly dampened cloth.
- A small amount of mild soap can be used if necessary.
- Dry the surface immediately after cleaning.



### Attention

DO NOT use bleach or alcohol based cleaner to clean the surface.  
DO NOT apply wood treatment on parts made with MDF.

MDF will swell and distort when exposed to water damage.  
Make sure to dry the furniture immediately after cleaning.



### Attention

The manufacturer and seller are not responsible for any and all liability relating to personal injury, property damage or losses, whether direct, indirect, or incidental, resulting from the incorrect attachment, improper use, inadequate maintenance, unapproved modification or neglect of the product.