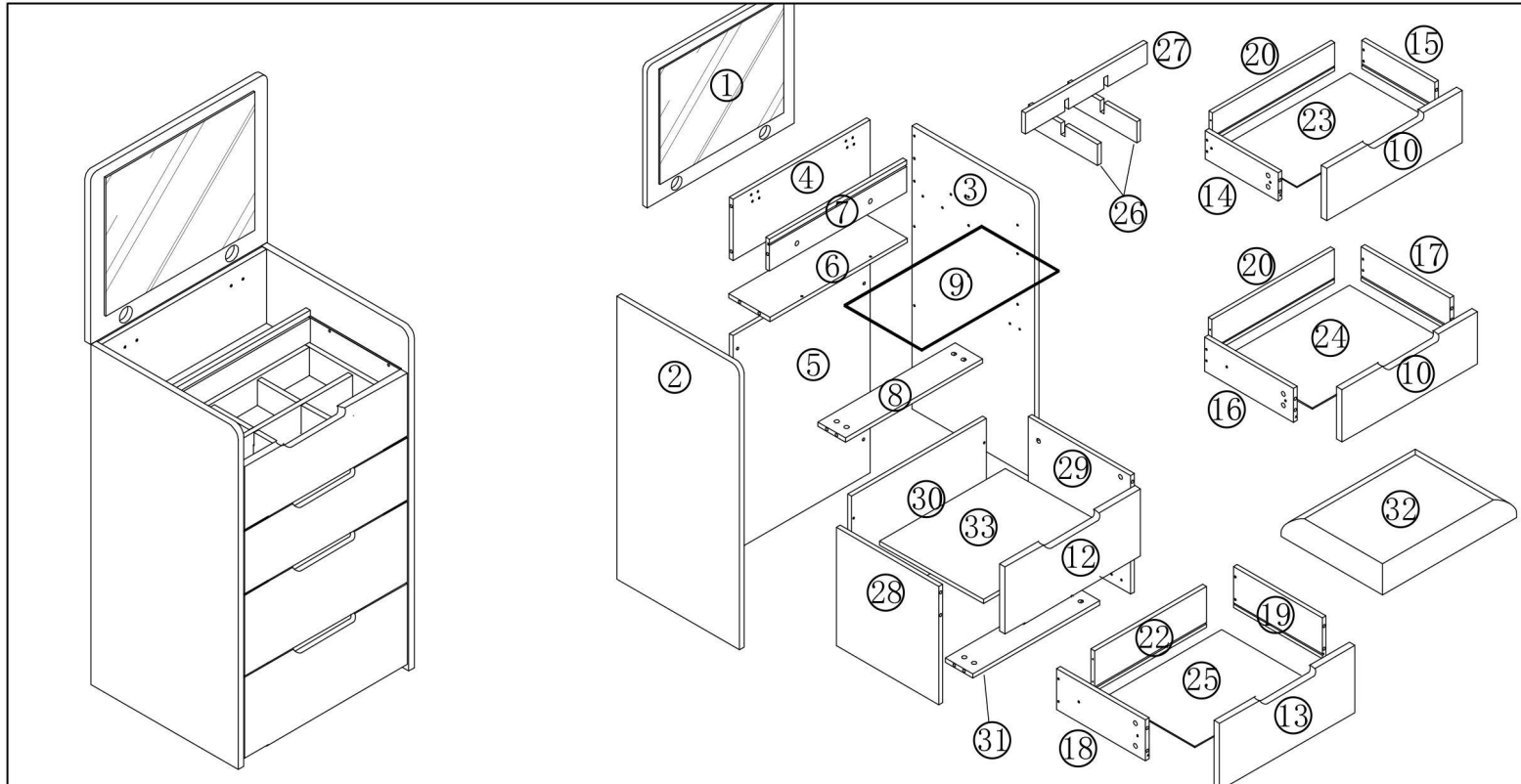

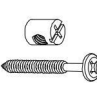





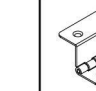


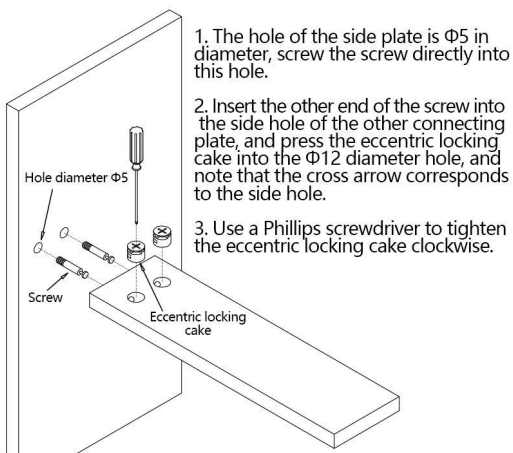
Dresser Instructions



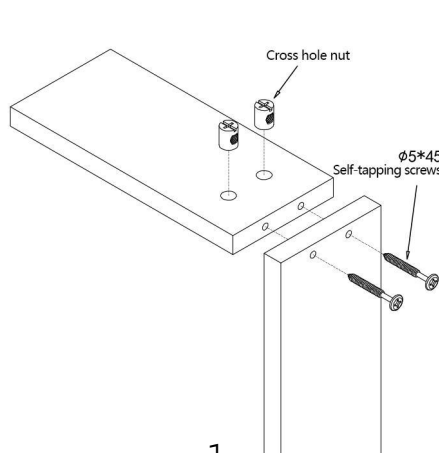
- 1.Panel 1pc 2.Left side panel 1pc 3.Right side panel 1pc 4.Upper back panel 1pc 5.Lower back panel 1pc 6.Laminate 1 pc
- 7.Clashboard 1pc 8.Pull strips 1pc 9.Layer glass 1pc 10.Upper drawn 2pc (narrower) 11.No numbering 12.Fake noodles 1 pc (width)
- 13.Lower drawer 1pc (wider) 14.Small left drawer side 1pc 15.Small Right Drawer Side 1pc 16.Middle Left Drawer 1pc 17.Middle Right Drawer 1pc 18.Large left drawer 1pc
- 19.Big right draw side 1pc 20.Upper Draw Tail 2pc (longer) 21.No numbering 22.Bottom Draw Tail 1pc (shorter) 23.Upper bottom draw 1pc 24.Middle Draw Bottom 1pc
- 25.Lower Drawer Bottom 1pc (shorter) 26.Plaid vertical board 2pc 27.Lattice horizontal 1pc 28.Makeup board left side 1pc 29.Make-up board right side 1pc 30.Make-up board back 1pc
- 31.Make-up Stool Pull Strip 1pc 32.Make-up Stool Seat Cushion 1pc 33.Laminate 1pc

	A	B	C	D	E	F	H	I	J
Name	3-in-1	2-in-1	Door hinges	Silent tracks	Layer pallets	Self-tapping screws		Small corner code	Foot pegs
Graphics	 The screw comes with self-tapping teeth								
Specification	φ12/L=40		Straight bends	10"	φ8*18	φ3.5*12	φ4*30		
Quantity	31 sets	17 pcs	2 pcs	3 groups	4 pcs	50 pcs	13 pcs	2 pcs	10 pcs

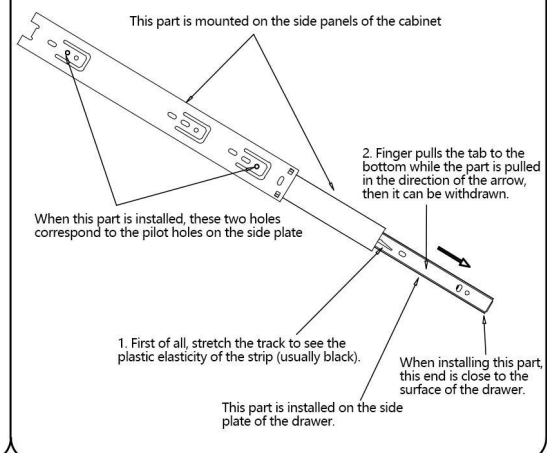
3-in-1 instructions for use



2-in-1 instructions for use

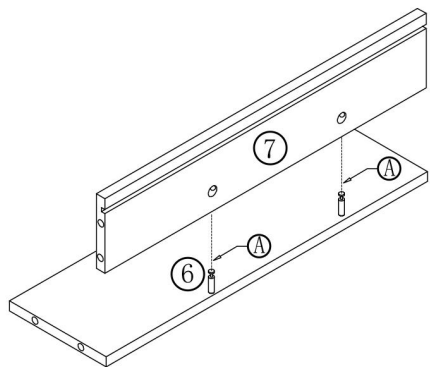


Instructions for use of the track

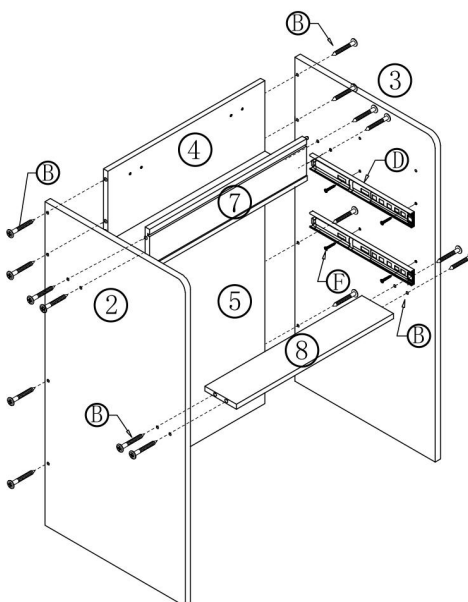


Installation steps

Step 1: Connect the partition and upper back plate with the shelf with a 3-in-1.

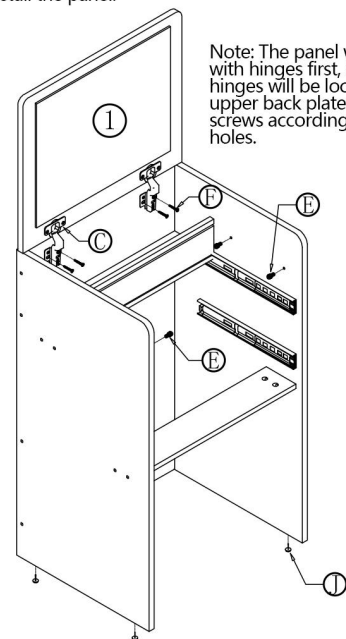


Step 2: Install the tie strips, lower back plate and left and right side panels.



Note: The side panel is pre-installed with $\Phi 3.5 \times 12$ screws according to the lead hole.

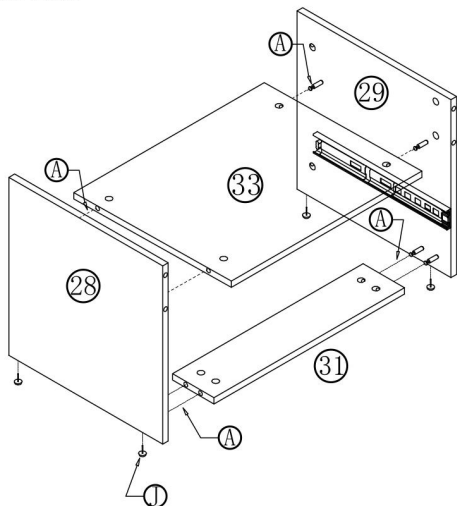
Step 3: Nail the foot pegs first, and then install the panel.



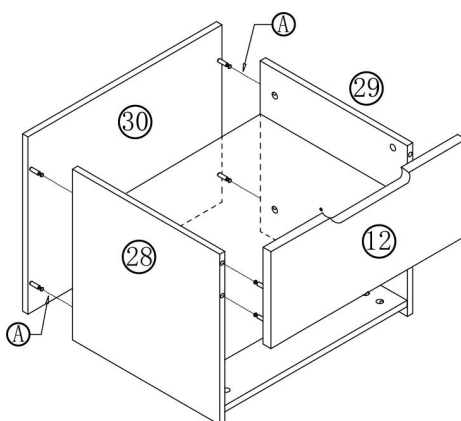
Note: The panel will be installed with hinges first, and then the hinges will be locked on the upper back plate with $\Phi 3.5 \times 14$ screws according to the lead-in holes.

Step 4: Assemble the side panels of the makeup stool and the pull bar with 3-in-1 according to the picture.

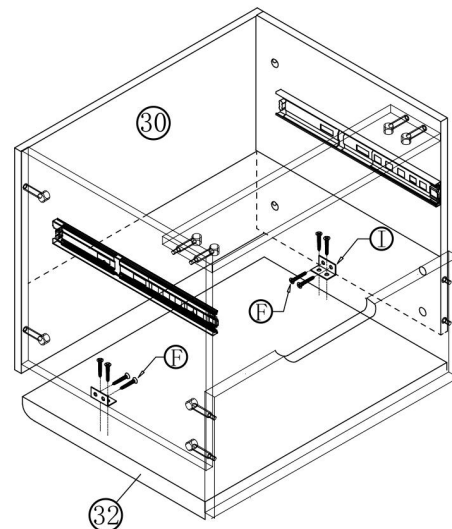
Note: Nail the side panels of the stool first, and use $\Phi 3.5 \times 12$ screws to install the rails according to the lead holes.



Step 5: Install the back of the stool and the false drawer.

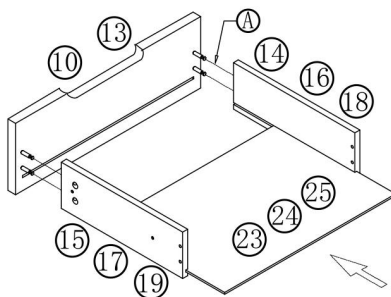


Step 6: Install the seat cushion

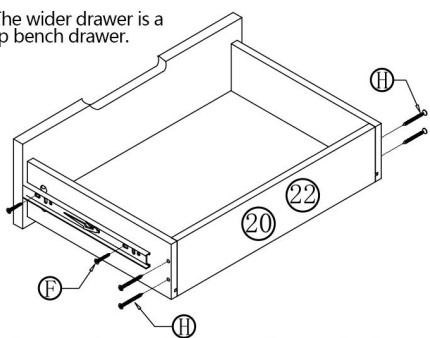


Note: Place the seat cushion in the appropriate position, place the stool upside down, and fix it in the side panel position with screws and small corner codes.

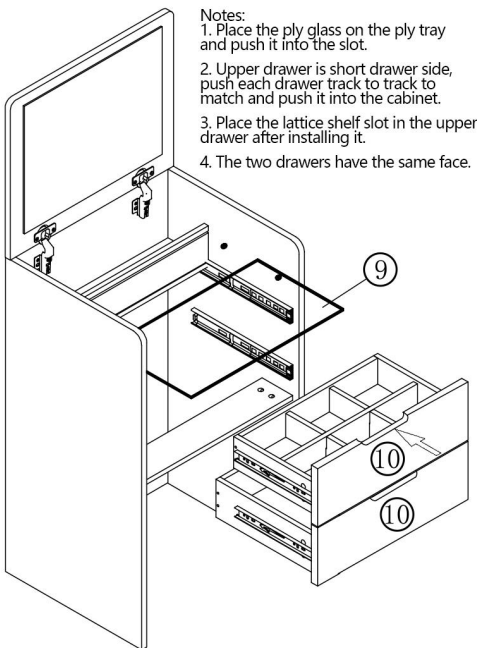
Step 7: Assemble the drawers according to the drawing.



Note: The wider drawer is a makeup bench drawer.

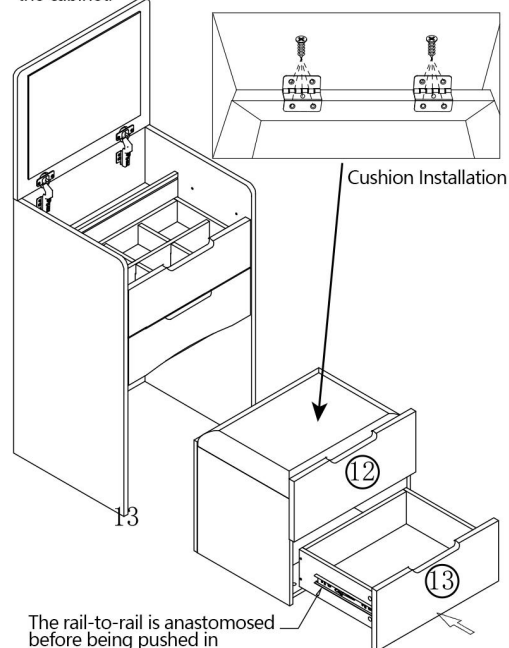


Step 8: Install the laminated glass and drawers.



Notes:
1. Place the ply glass on the ply tray and push it into the slot.
2. Upper drawer is short drawer side, push each drawer track to track to match and push it into the cabinet.
3. Place the lattice shelf slot in the upper drawer after installing it.
4. The two drawers have the same face.

Step 9: After installing the drawers, push them into the cabinet.



The rail-to-rail is anastomosed before being pushed in