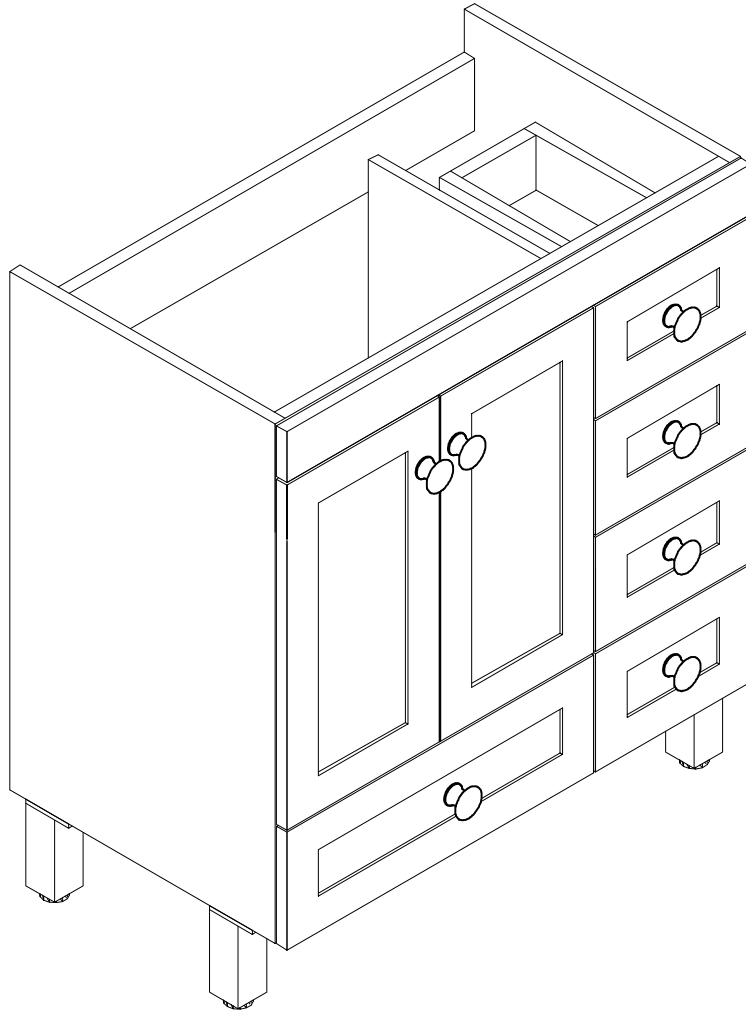
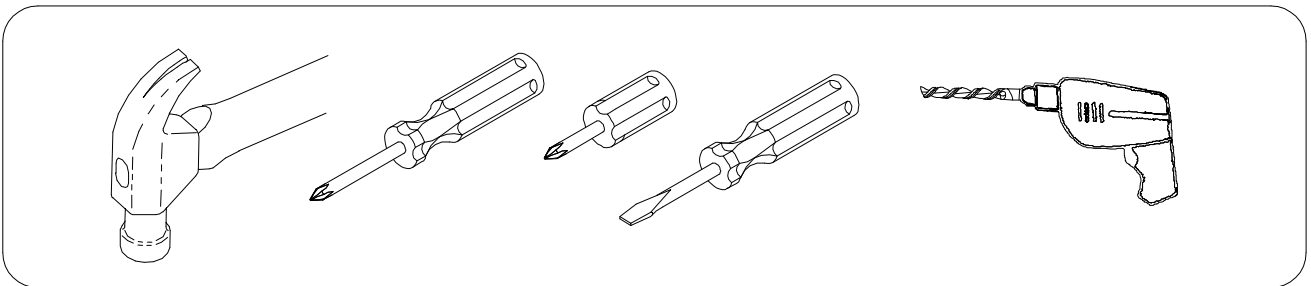


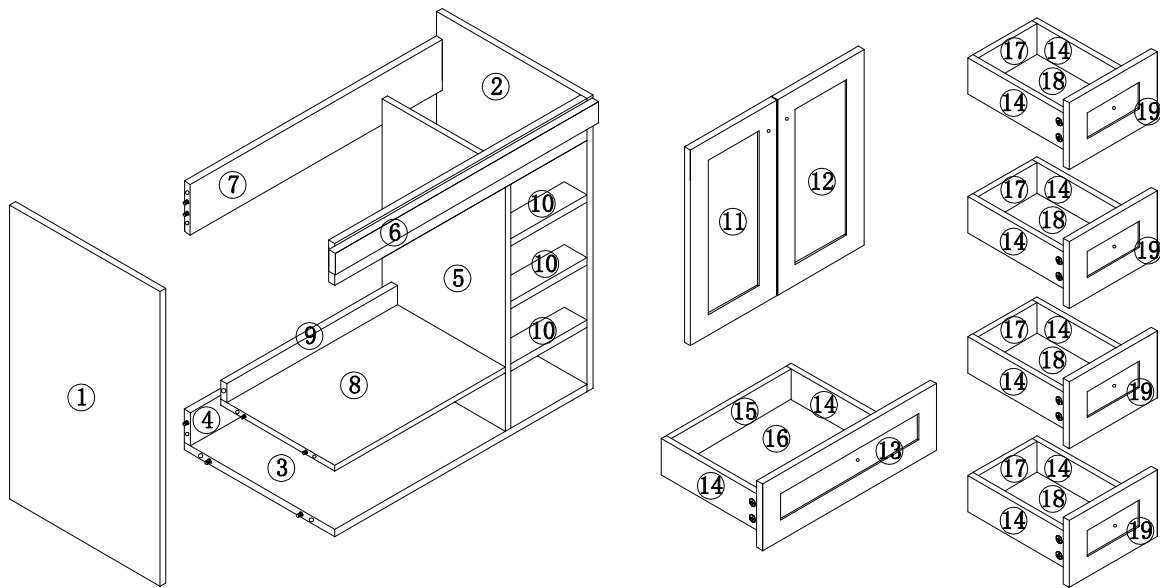
Installation & Assembly



YOU MAY NEED (NOT SUPPLY)

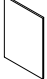
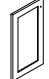

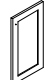
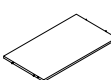
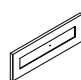
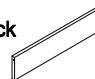
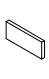
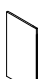
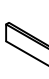

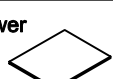

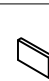
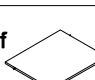
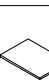

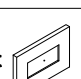



ASSEMBLY DIAGRAM












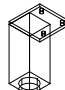


PARTS LIST

PARTS LIST

NO	DESCRIPTION	QTY	NO	DESCRIPTION	QTY
①	Left side panel 	1	⑪	Left door panel 	1
②	Right side panel 	1	⑫	Right door panel 	1
③	Bottom panel 	1	⑬	Left Drawer front panel 	1
④	Lower back panel 	1	⑭	Drawer side panel 	10
⑤	Center partition Panel 	1	⑮	Left Drawer rear panel 	1
⑥	Upper front panel 	1	⑯	Left Drawer bottom panel 	1
⑦	Upper back panel 	1	⑰	Right Drawer rear pane 	4
⑧	Inner shelf panel 	1	⑱	Right Drawer bottom panel 	4
⑨	Left laminate rear panel 	1	⑲	Right Drawer front panel 	4
⑩	Right front center plate 	3			

PARTS LIST

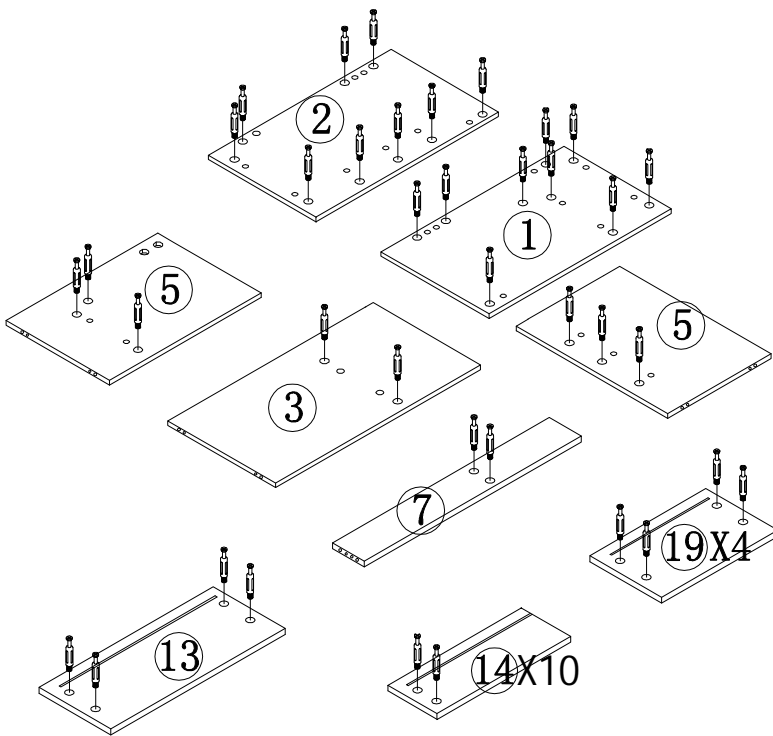
HARDWARE LIST


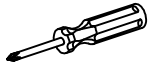
NO	DESCRIPTION	QTY	NO	DESCRIPTION	QTY
A	Three-in-one eccentric wheel 	68	G	4*23mm screw 	2
B	Three-in-one connecting rod 	68	H	4*18mm screw 	5
C	Three-in-one sticker 	68	I	Door handle 	2
D	8*40mm wood dowel pins 	26	J	Drawer handle 	5
E	Drawer slides 	10	K	Aluminum alloy leg 	4
F	4*16mm screw 	96	L	Door hinge 	4

CAUTION:

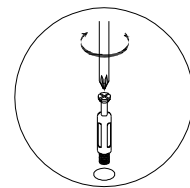
Please confirm the parts list before installation

STEP 1

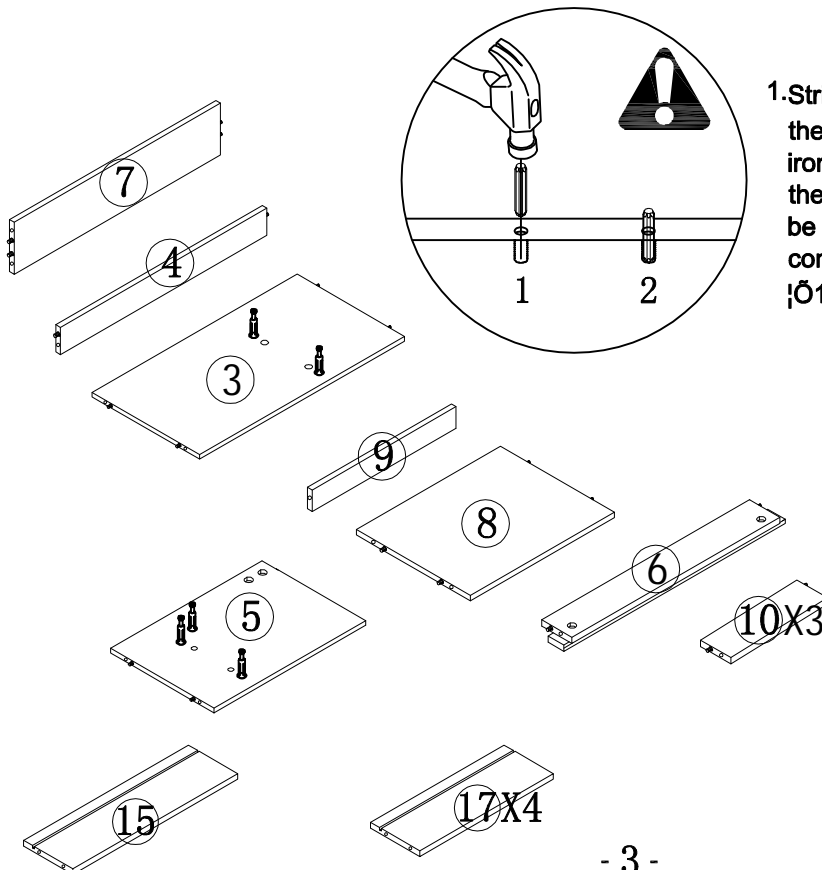


HARDWARE LIST	
Three-in-one connecting rod B	
68 PCS	

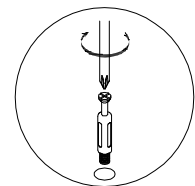
1. Put the three-in-one connecting rod in the $\varnothing 10\text{mm}$ hole of the following panels and tighten them with a cross screwdriver or an electric tool.


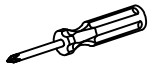


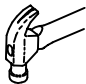
STEP 2



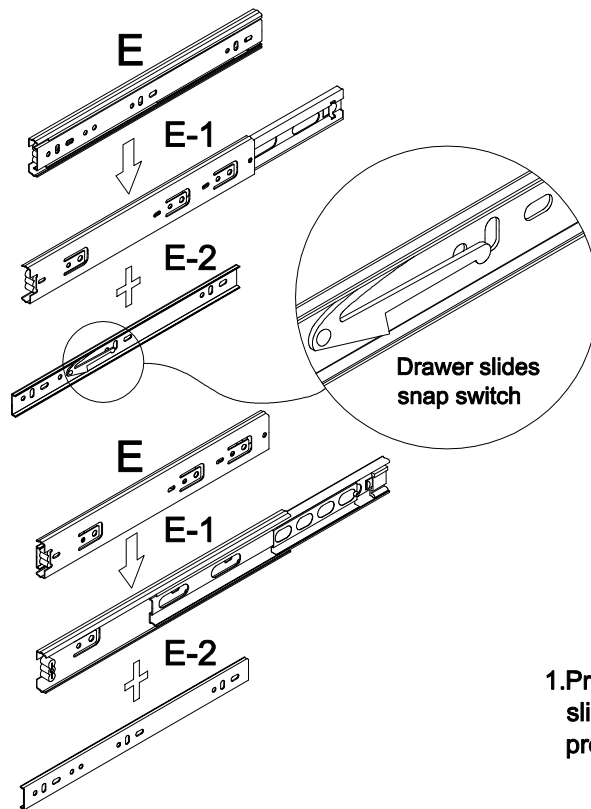
1. Strike the $\varnothing 8 \times 40\text{mm}$ wood dowel pin into the $\varnothing 8\text{mm}$ hole of the above panels with an iron hammer. Please note that the hole of the three-in-one connecting rod should also be 8mm. The hole of the three-in-one connecting rod connects to the hole of $\varnothing 15\text{mm}$ three-in-one eccentric wheel.



HARDWARE LIST	
Three-in-one connecting rod B	
5 PCS	

HARDWARE LIST	
8*40mm wood dowel pins D	
26 PCS	

STEP 3

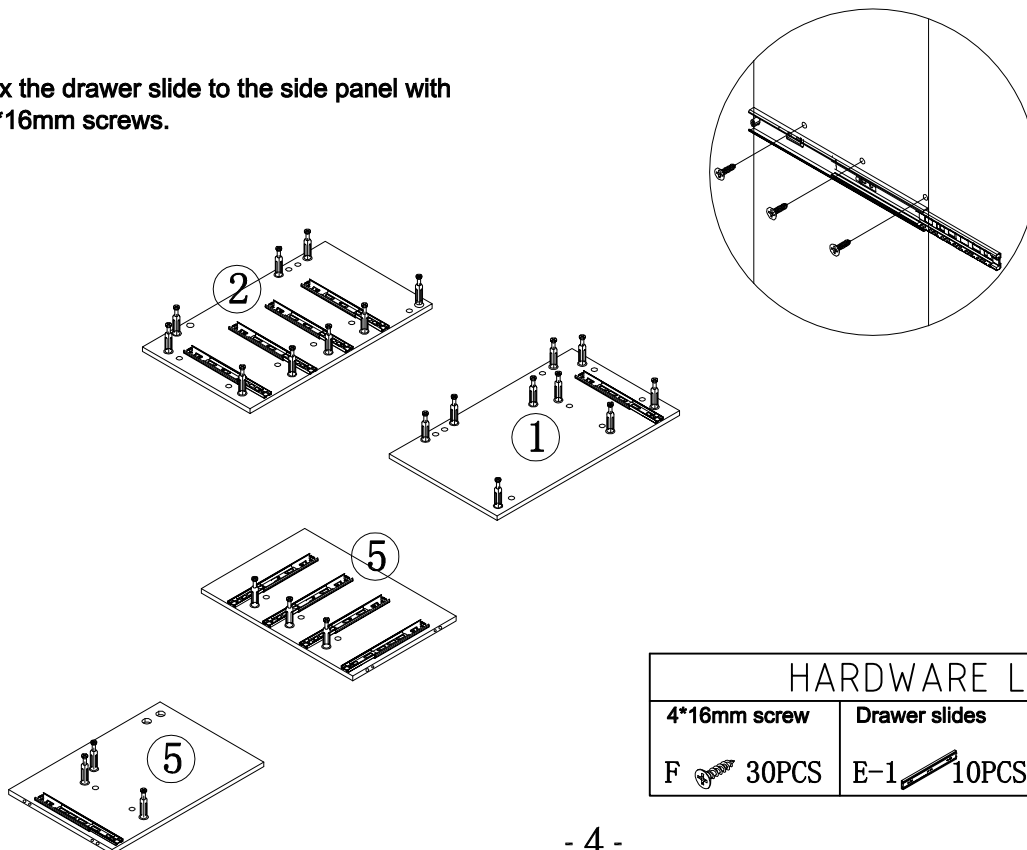


HARDWARE LIST	
Drawer slides	
E 10 PCS	

1. Press the slide snap switch, disassemble side blocks and put them in a place properly for further use.

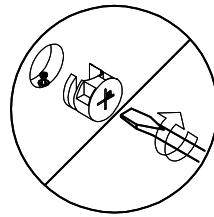
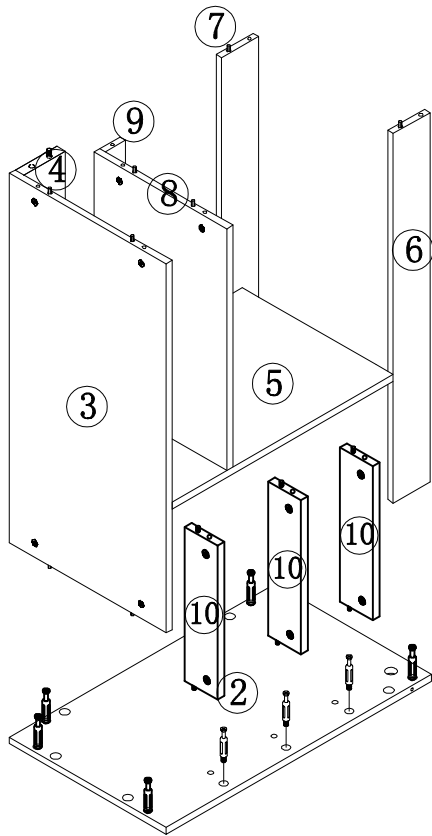
STEP 4

1. Fix the drawer slide to the side panel with 4*16mm screws.

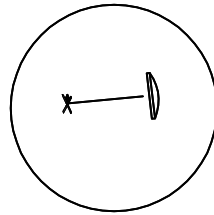


HARDWARE LIST		
4*16mm screw	Drawer slides	
F 30PCS	E-1 10PCS	




STEP 5



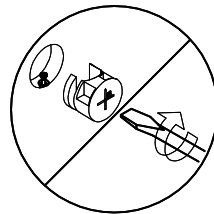
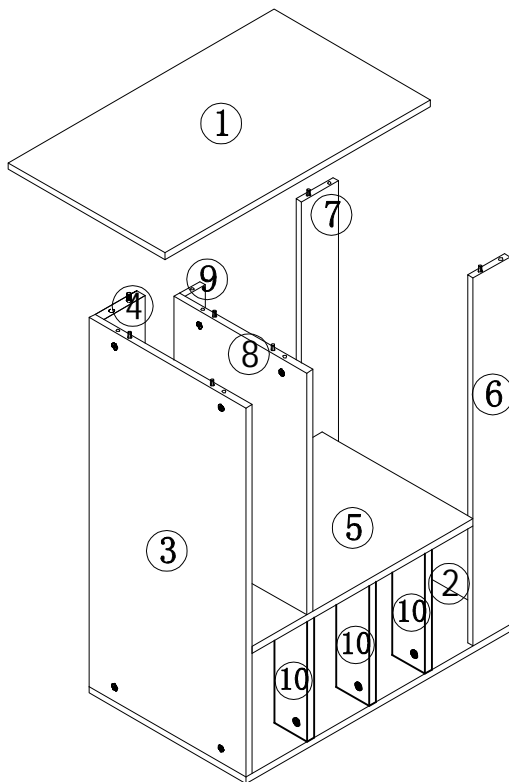
1. Connect No. 3-6-7-8 panel to No.2 panel tightly with the three-in-one eccentric wheel.



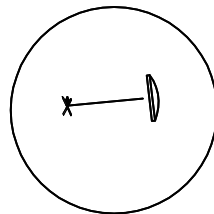
2. Cover the mounting hole of the eccentric wheel with a three-in-one sticker.

HARDWARE LIST		
Three-in-one eccentric wheel A  12PCS	Three-in-one sticker C  12PCS	


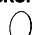

STEP 6



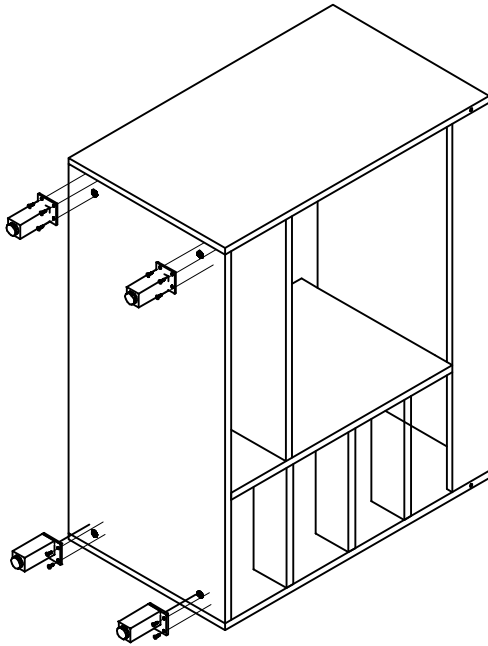
1. Connect No. 1 panel to No. 3-4-6-7-8 panel tightly with the three-in-one eccentric wheel.



2. Cover the mounting hole of the eccentric wheel with a three-in-one sticker.

HARDWARE LIST		
Three-in-one eccentric wheel A  8PCS	Three-in-one sticker C  8PCS	

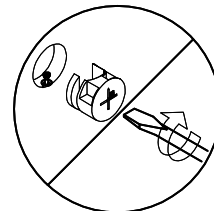
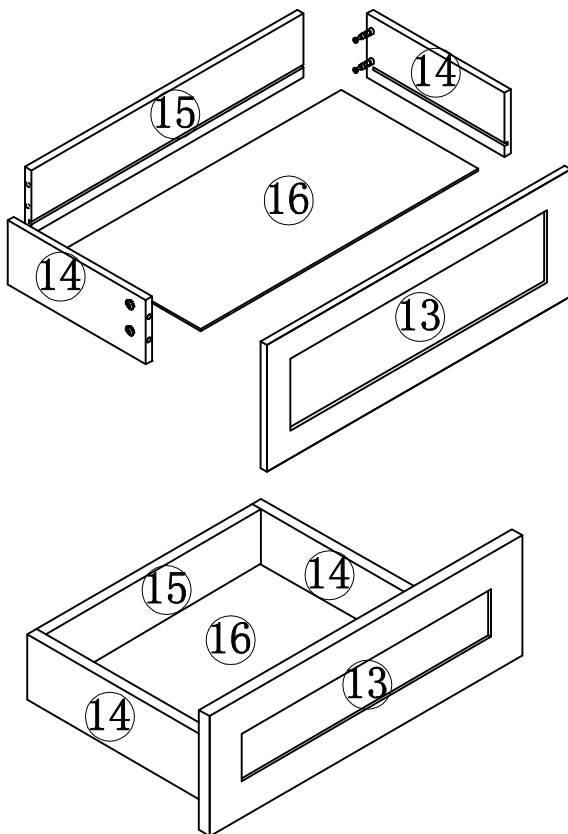
STEP 7



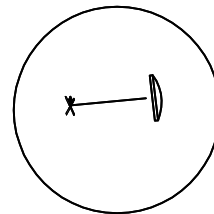
1. Fix feet of the cabinet with 4*16mm screws.

HARDWARE LIST		
4*16mm screw	Aluminum alloy leg	
F  12PCS	K  4PCS	

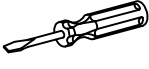


STEP 8



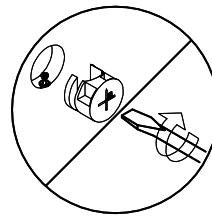
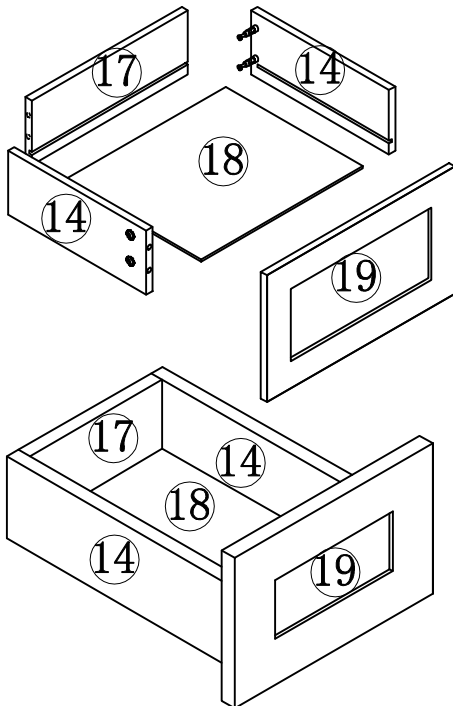
1. Install No. 12-14-15-16 panels with the three-in-one eccentric wheel tightly.



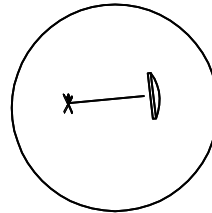
2. Cover the mounting hole of the eccentric wheel with a three-in-one sticker.

HARDWARE LIST		
Three-in-one eccentric wheel	Three-in-one sticker	
A  8PCS	C  8PCS	

STEP 9






1. Install No. 13-14-17-18 panels with the three-in-one eccentric wheel tightly.

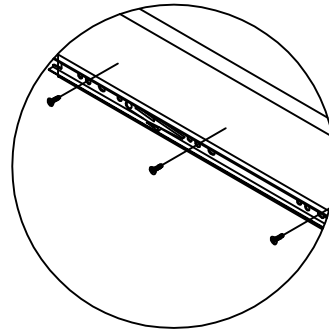
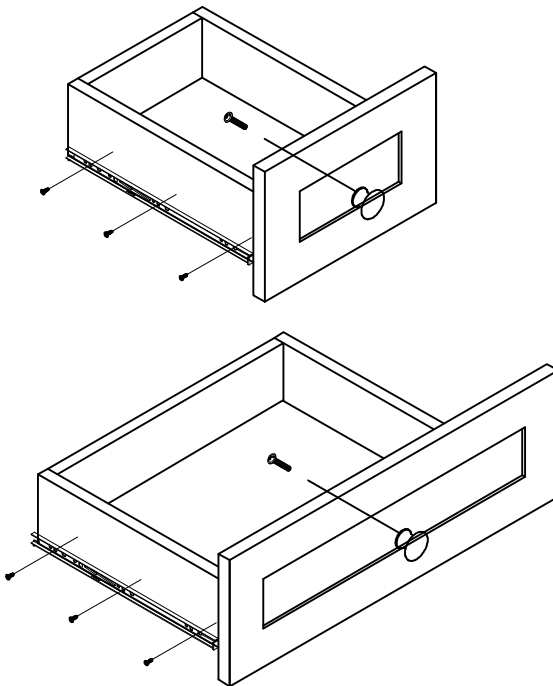


2. Cover the mounting hole of the eccentric wheel with a three-in-one sticker.

HARDWARE LIST






Three-in-one eccentric wheel A  32PCS	Three-in-one sticker C  32PCS	
--	--	--

STEP 10

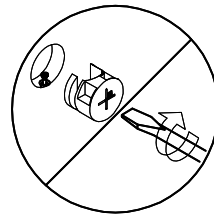
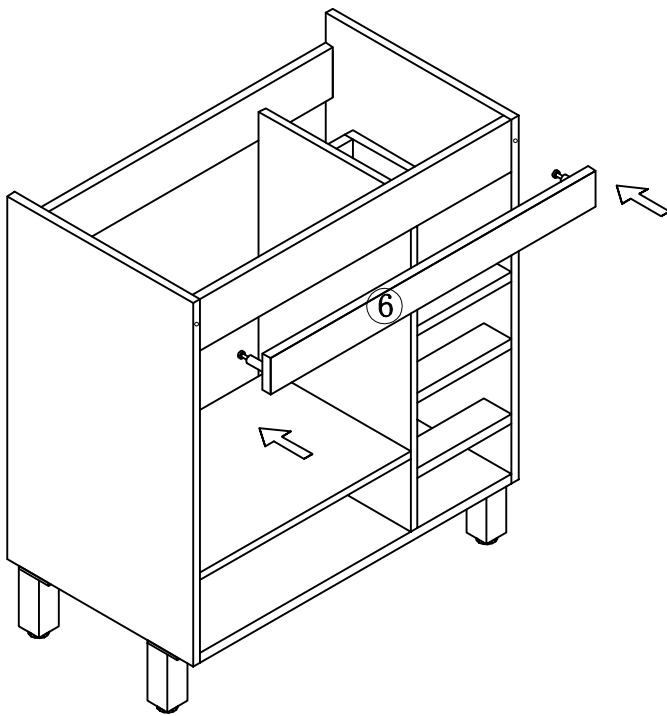


1. Lock the spare drawer slide block to the drawer.
2. Install the drawer handle with 4*18 handle screws.

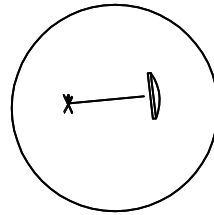
HARDWARE LIST

4*16mm screw F  30PCS	Drawer slides E-2  10PCS	
4*18mm screw H  5PCS	Drawer handle J  5PCS	

STEP 11





1. Install No.9 panels with the three-in-one eccentric wheel tightly.



2. Cover the mounting hole of the eccentric wheel with a three-in-one sticker.

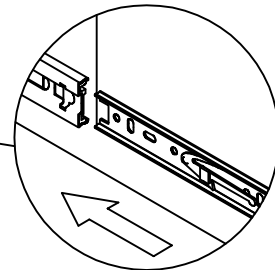
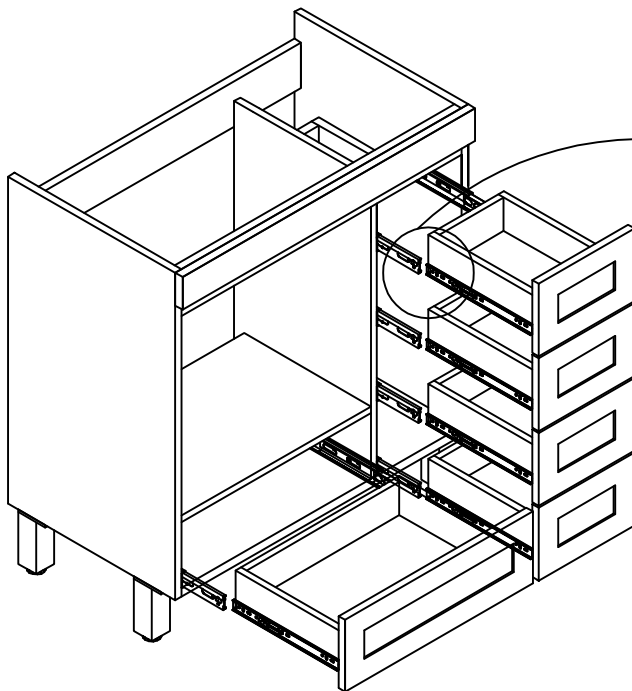
HARDWARE LIST

Three-in-one
eccentric wheel
A  2PCS

Three-in-one
sticker
C  2PCS



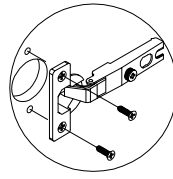
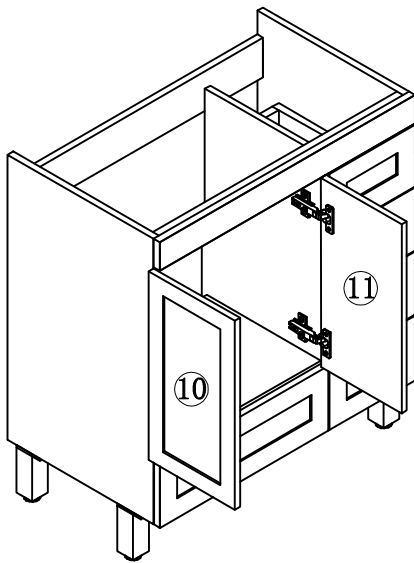
STEP 12



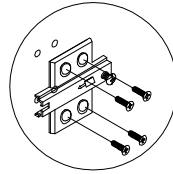
1. Align slide block with the trough on the guide rail, press the snap switch and press it forward to install the drawer.

2. Install drawer handles.

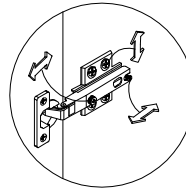
STEP 13



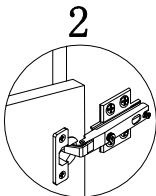
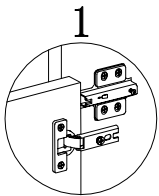
1. Install the hinge cup to the door panel with 4*16mm screws.



2. Install the hinge to the side panel with 4*16mm screws.



4. Adjust the door panel clearance.

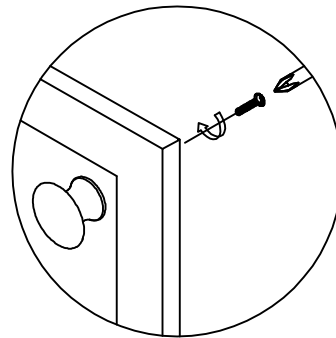
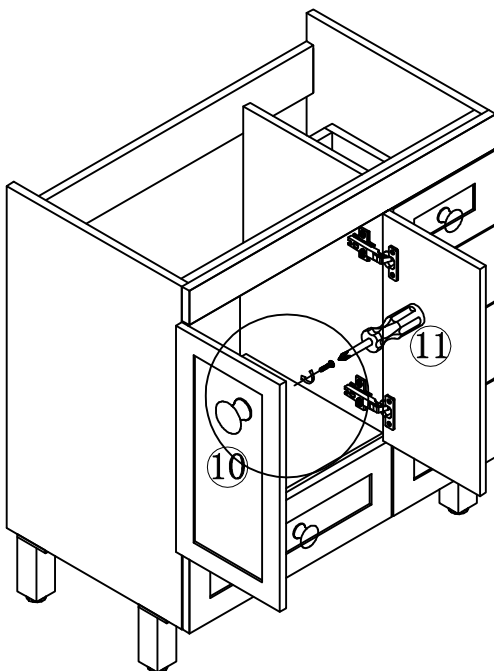


3. Install the hinge cup on the door panel to the hinge of the side panel.

HARDWARE LIST




4*16mm screw	Door hinge	
F  24PCS	L  4PCS	

STEP 14



1. Install the door handle with 4*23 handle screws.

HARDWARE LIST

4*23mm screw	Door handle	
G  2PCS	I  2PCS	



Choking hazard-Small Parts : This unit contains small parts, not for children under 3 years.

Tip-over hazard : Secure finished unit to wall stud using L-Bracket and wall screw (#10*1.5"W/out provided). If a wall stud is not neccessible , Consault your local hardware store for appropriate mounting hardware . Failure to properly install will result in product collapse or tip-over. Serious injury can occur .