

Assembly Instructions

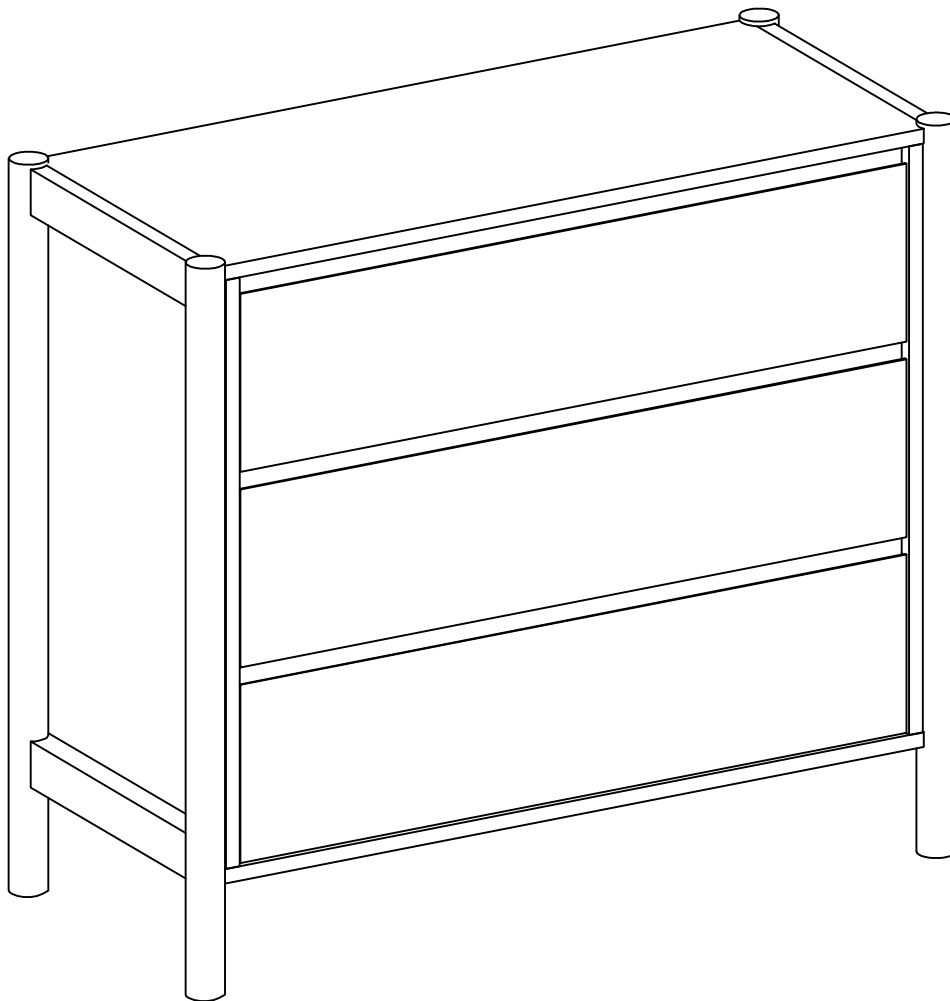
ITEM NO. WF 307170

3 DRAWERS CHEST

Thank you for purchasing this quality product. Be sure to check all packing materials carefully for small parts, which may have come loose inside the carton during shipment. Identify and count all items and compare with the PARTS LIST and/or HARDWARE LIST shown below.

Caution: Please read the instructions thoroughly before assembly.

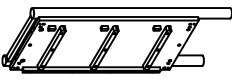
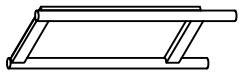


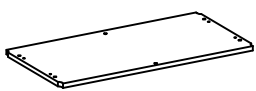
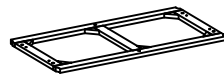


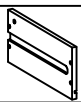
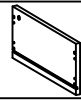



1. We recommend that you assemble this product with the assistance of another person; this will make the assembly easier, and will help eliminate damage to the product or injury to persons during assembly.
2. Please do not over tighten screws or bolts until the assembly is completed.
3. Please put all parts on a non-abrasive floor before assembly, and follow the assembly steps to assemble your newly purchased product correctly and efficiently.



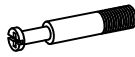








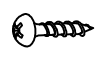
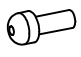

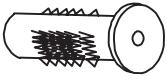

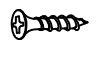
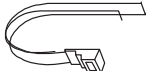
Assembly Instructions

ITEM NO. WF 307170
3 DRAWERS CHEST

PARTS LIST

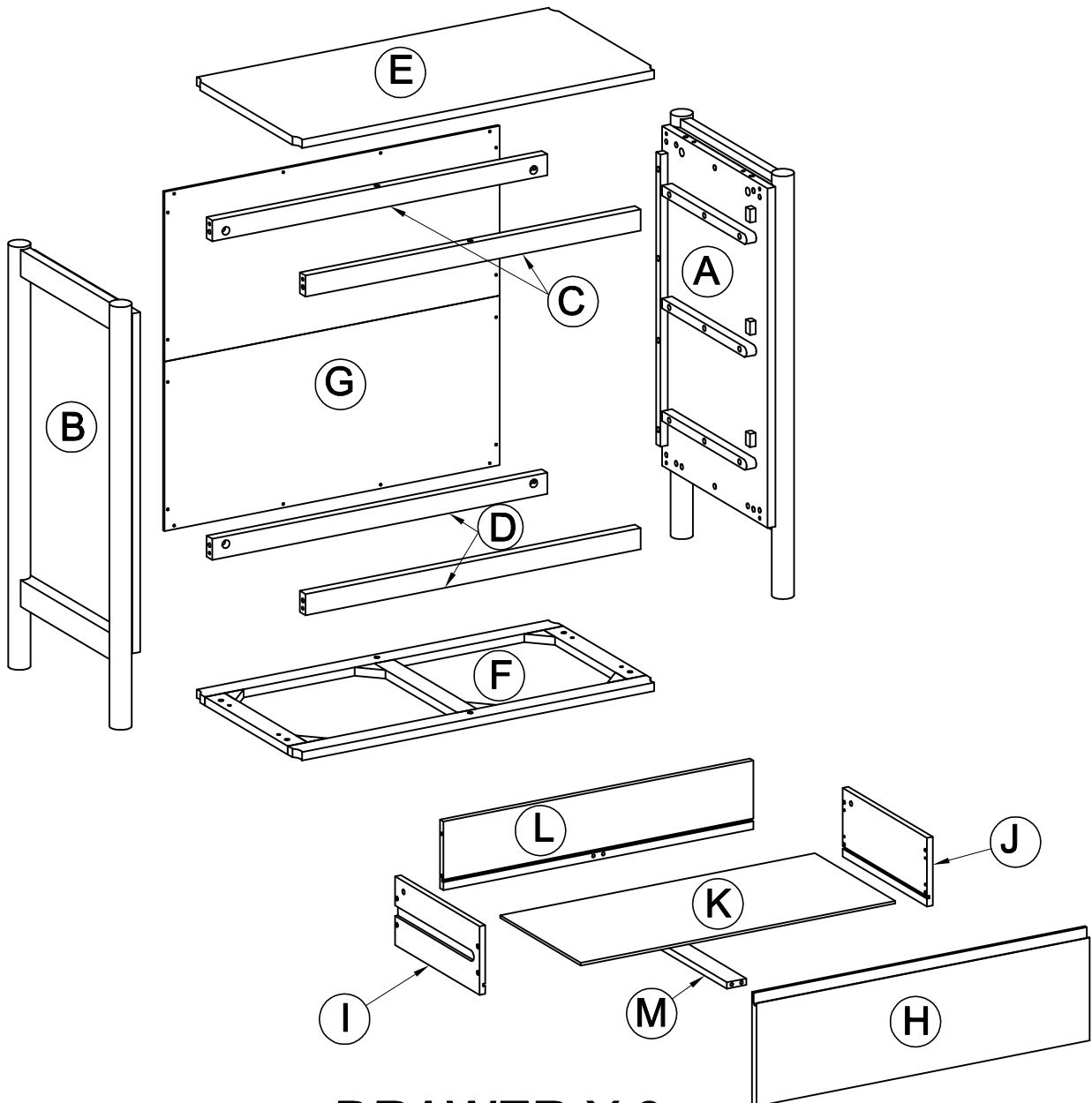
| NO. | COMPONENT | SKETCH | QTY. |
|-----|------------------------|---|------|
| A | LEG (RIGHT) |  | 1PC |
| B | LEG (LEFT) |  | 1PC |
| C | UPPER BAR |  | 2PCS |
| D | LOWER BAR |  | 2PCS |
| E | TOP PANEL |  | 1PC |
| F | BOTTOM FRAME |  | 1PC |
| G | BACK PANEL |  | 1PC |
| H | FRONT OF DRAWER |  | 3PCS |
| I | SIDE OF DRAWER (LEFT) |  | 3PCS |
| J | SIDE OF DRAWER (RIGHT) |  | 3PCS |
| K | BOTTOM OF DRAWER |  | 3PCS |
| L | BACK OF DRAWER |  | 3PCS |
| M | SUPPORT BAR |  | 3PCS |

HARDWARE LIST

| NO. | COMPONENT | SKETCH | QTY. |
|-----|---|---|-------|
| 1 | CAM BOLT |  | 12PCS |
| 2 | CAM LOCK |  | 12PCS |
| 3 | BOLT 1/4" x38 |  | 8PCS |
| 4 | FLAT WASHER 1/4" DIA |  | 8PCS |
| 5 | SPRING WASHER 1/4" DIA |  | 8PCS |
| 6 | ALLEN KEY M4 |  | 1PC |
| 7 | T NUTS |  | 4PCS |
| 8 | WOODEN DOWEL #6 * 30 |  | 52PCS |
| 9 | WOOD SCREW #4 * 25 MM L |  | 24PCS |
| 10 | MUSHROOM SCREW #3.5 * 15 MM L |  | 16PCS |
| 11 | LOCK DRAWER #15 * 30 |  | 6PCS |
| 12 | PLASTIC BRACKET (ANTI-TIP KIT) |  | 2PCS |
| 13 | PLASTIC ANCHOR (ANTI-TIP KIT) |  | 2PCS |
| 14 | LONG SCREW #4 x40MM L (ANTI-TIP KIT) |  | 2PCS |
| 15 | SHORT SCREW #3.5 x15MM L (ANTI-TIP KIT) |  | 2PCS |
| 16 | PLASTIC STRAP (ANTI-TIP KIT) |  | 1PC |

Assembly Instructions

ITEM NO. WF 307170
3 DRAWERS CHEST



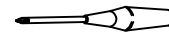
DRAWER X 3

Assembly Instructions

ITEM NO. WF 307170
3 DRAWERS CHEST

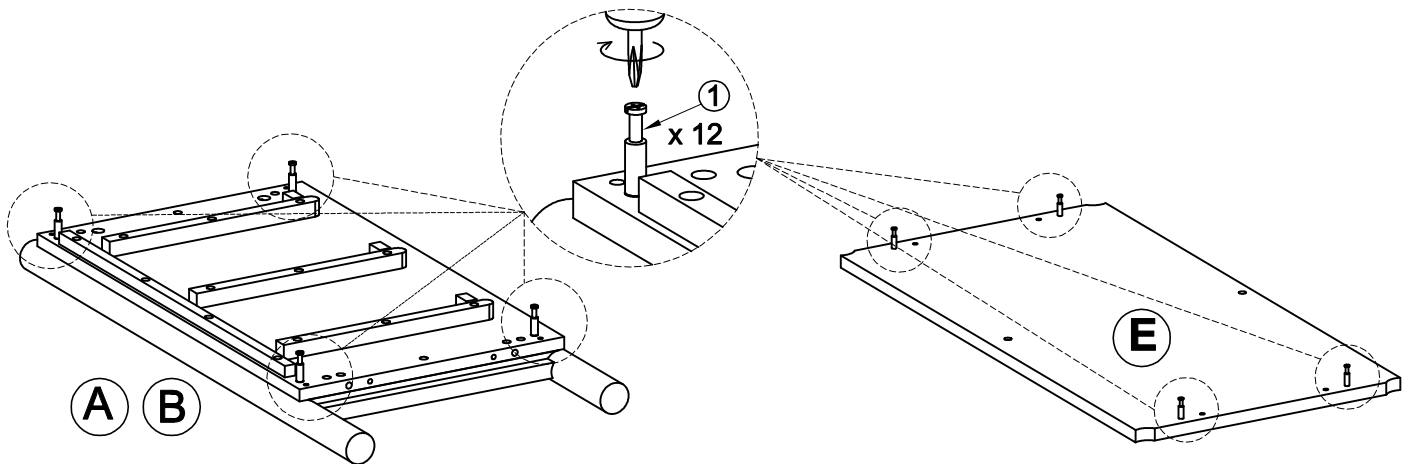


ASSEMBLY TOOLS REQUIRED (NOT INCLUDED)



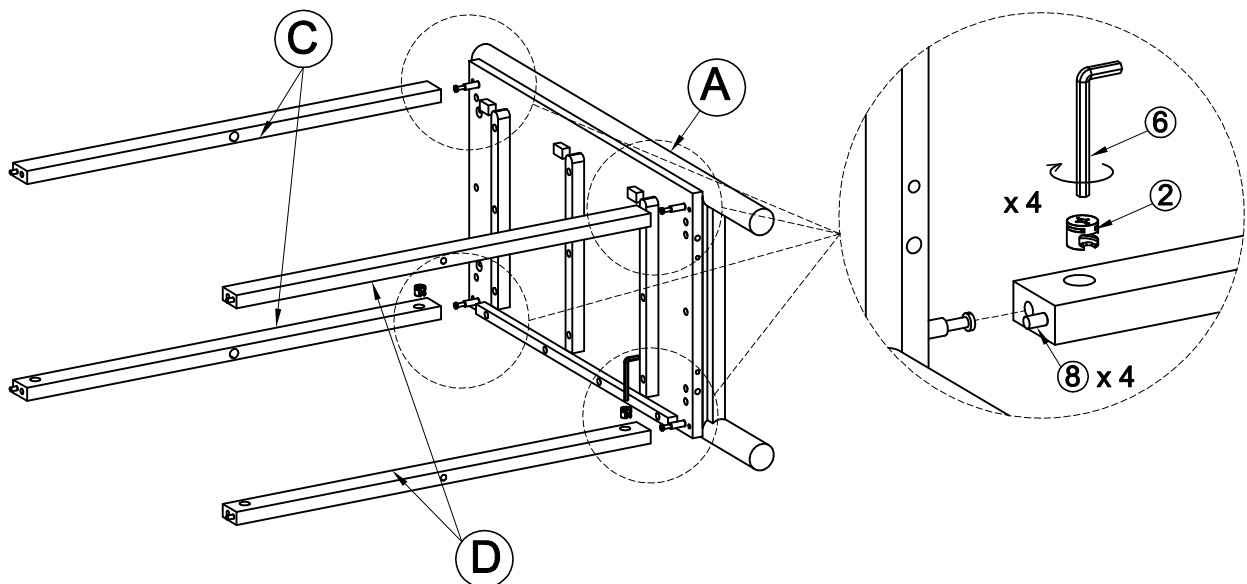
PLEASE BE CAREFUL DO NOT DAMAGE THE HOLE POSITION WHEN YOU USE POWERTOOLS!

STEP 1



A x1 B x1 E x1 ① x12

STEP 2



A x1 C x2 D x2 ② x4 ⑥ x1 ⑧ x4

MADE IN VIETNAM

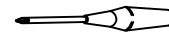
PAGE: 4 OF 8

Assembly Instructions

ITEM NO. WF 307170
3 DRAWERS CHEST

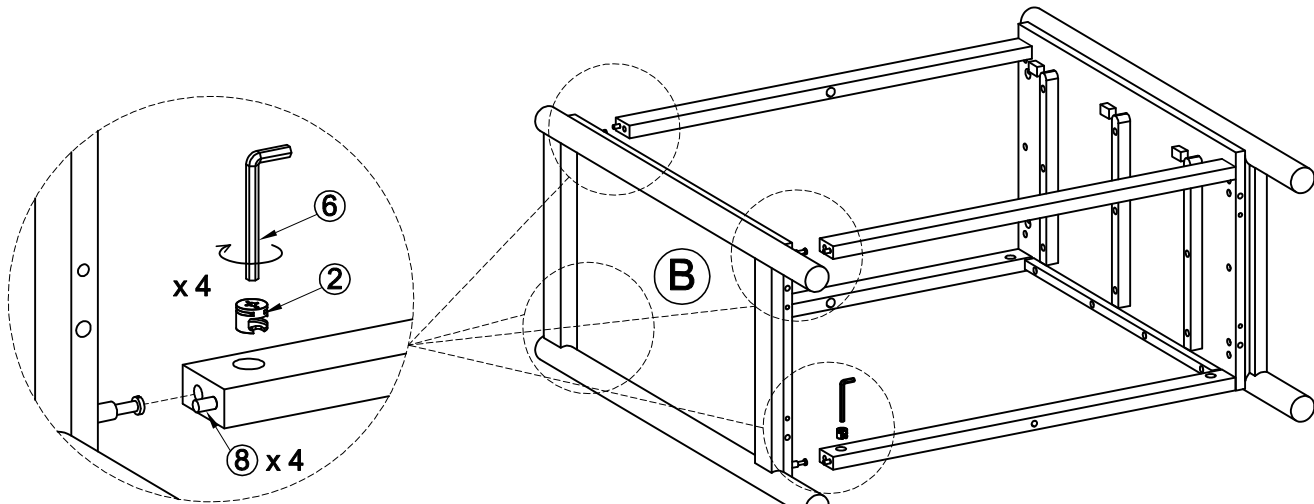


ASSEMBLY TOOLS REQUIRED (NOT INCLUDED)



PLEASE BE CAREFUL DO NOT DAMAGE THE HOLE POSITION WHEN YOU USE POWERTOOLS!

STEP 3



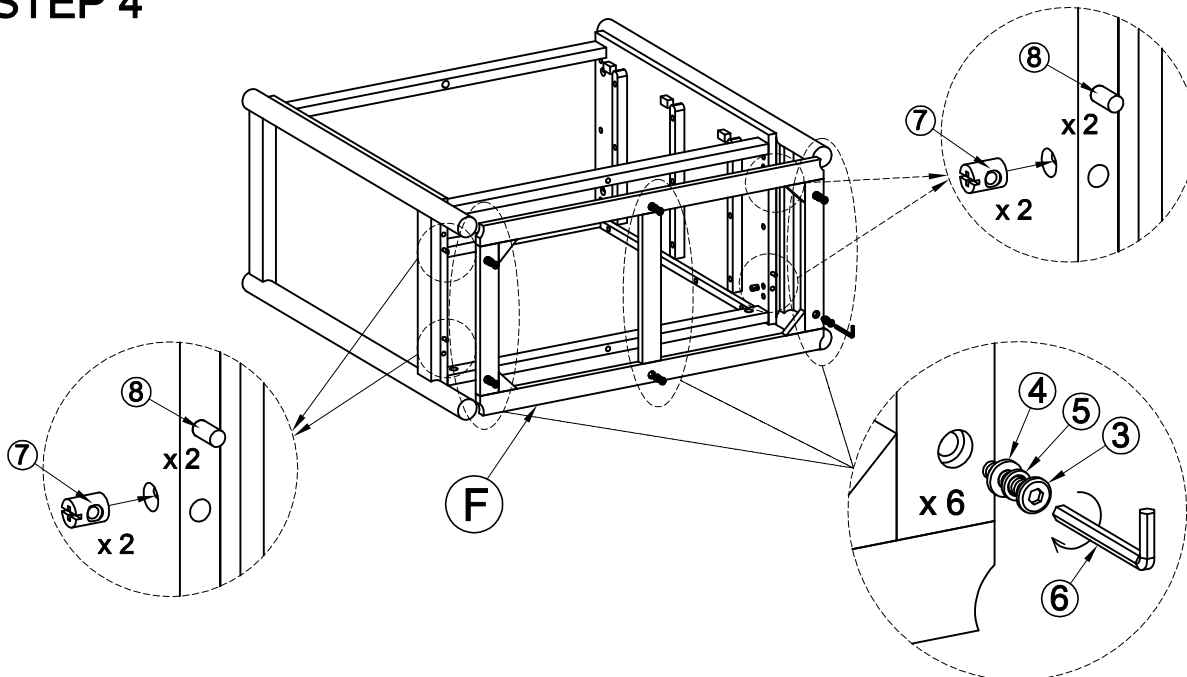
B x1

② x4

⑥ x1

⑧ x4

STEP 4



F x1

③ x6

④ x6

⑤ x6

⑥ x1

⑦ x4

⑧ x4

MADE IN VIETNAM

PAGE: 5 OF 8

Assembly Instructions

ITEM NO. WF 307170
3 DRAWERS CHEST

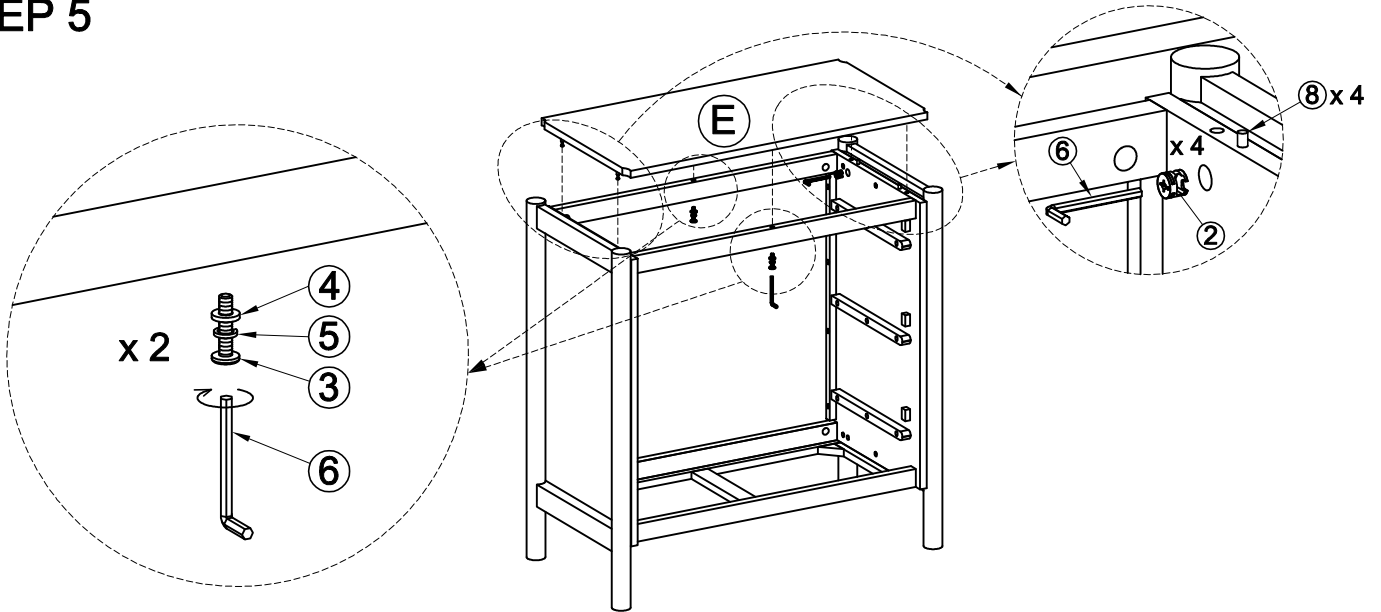


ASSEMBLY TOOLS REQUIRED (NOT INCLUDED)



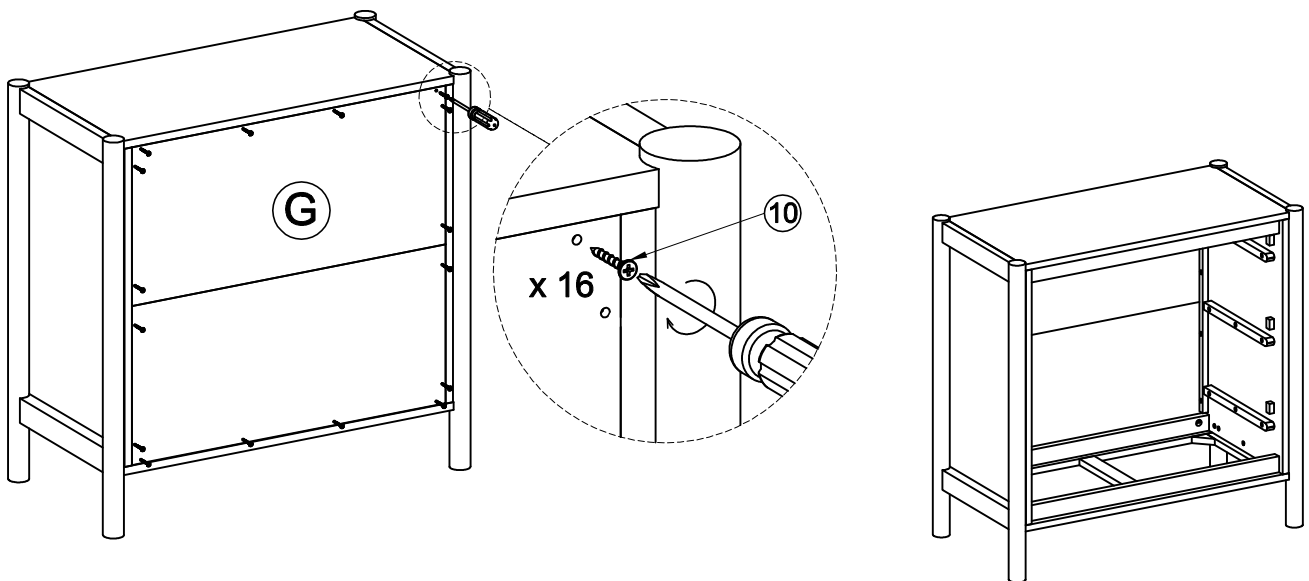
PLEASE BE CAREFUL DO NOT DAMAGE THE HOLE POSITION WHEN YOU USE POWERTOOLS!

STEP 5



E x1 ②x4 ③x2 ④x2 ⑤x2 ⑥x1 ⑧x4

STEP 6



G x1 ⑩x16

Assembly Instructions

ITEM NO. WF 307170
3 DRAWERS CHEST



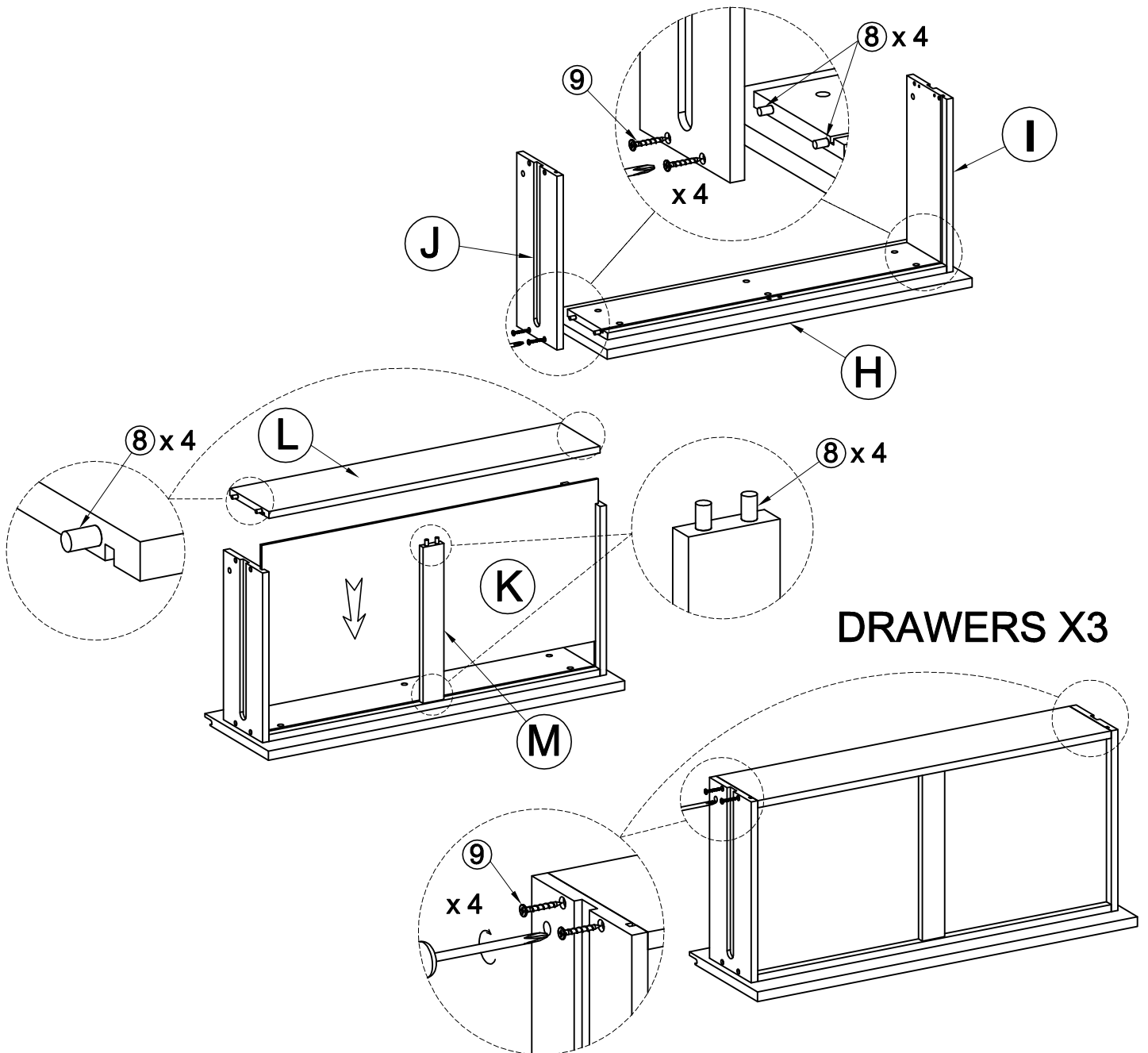
ASSEMBLY TOOLS REQUIRED (NOT INCLUDED)



PLEASE BE CAREFUL DO NOT DAMAGE THE HOLE POSITION WHEN YOU USE POWERTOOLS!

STEP 7

50% Tighten before fixing all screws



H x3 I x3 J x3 K x3 L x3 M x3 ⑧x36 ⑨x24

MADE IN VIETNAM

PAGE: 7 OF 8

Assembly Instructions

ITEM NO. WF 307170
3 DRAWERS CHEST

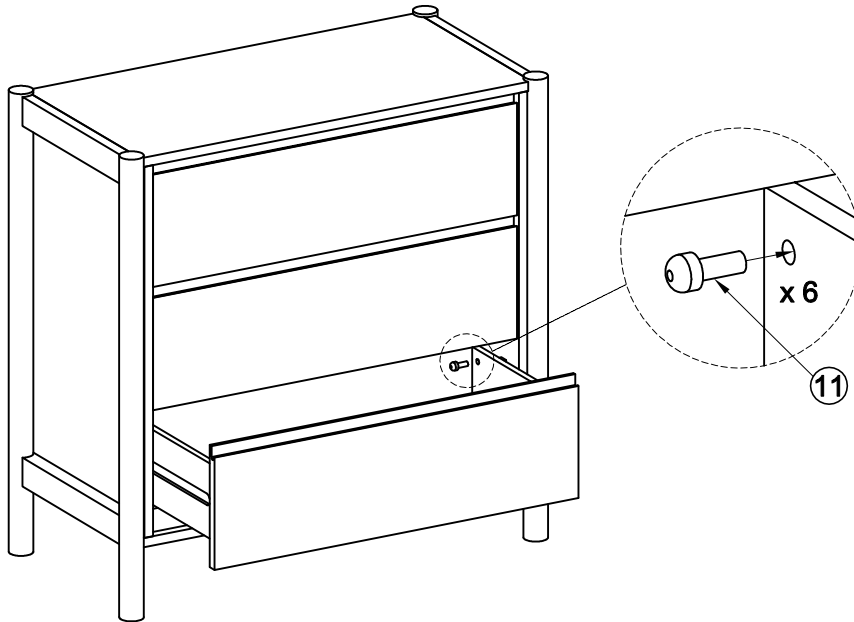


ASSEMBLY TOOLS REQUIRED (NOT INCLUDED)



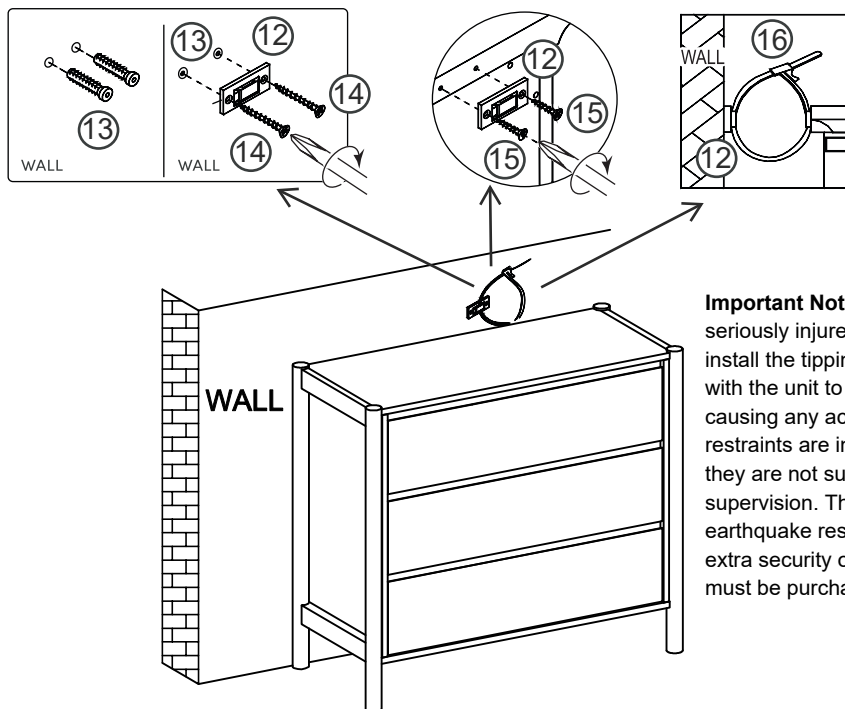
PLEASE BE CAREFUL DO NOT DAMAGE THE HOLE POSITION WHEN YOU USE POWERTOOLS!

STEP 8



11 x 6

STEP 9



Important Note: Young children can be seriously injured by tipping furniture. You must install the tipping restraint hardware (included) with the unit to prevent the unit from tipping, causing any accidents or damage. The tipping restraints are intended only as a deterrent, they are not substitute for proper adult supervision. The tipping restraints are not earthquake restraints. If you wish to add the extra security of earthquake restraints, they must be purchased and installed separately.

12 x 2 13 x 2 14 x 2 15 x 2 16 x 1

MADE IN VIETNAM

PAGE: 7 OF 7