

**1 X LEFT THREE SEATER SOFA +
1 X RIGHT THREE SEATER SOFA + 1 X BENCH**

INSTRUCTION MANUAL



FORM FOR REPLACING MISSING OR DAMAGED PIECES.

Please email to :customerservice@directwicker.com

Model # of product: _____
Store or website where product was purchased _____
Delivery date _____
Were the boxes are good when delivery to you Yes / No
Were the boxes delivered on the ground on the pallet Yes / No
Damages note on the Delivery receipt Yes / No

Name: _____
Address _____

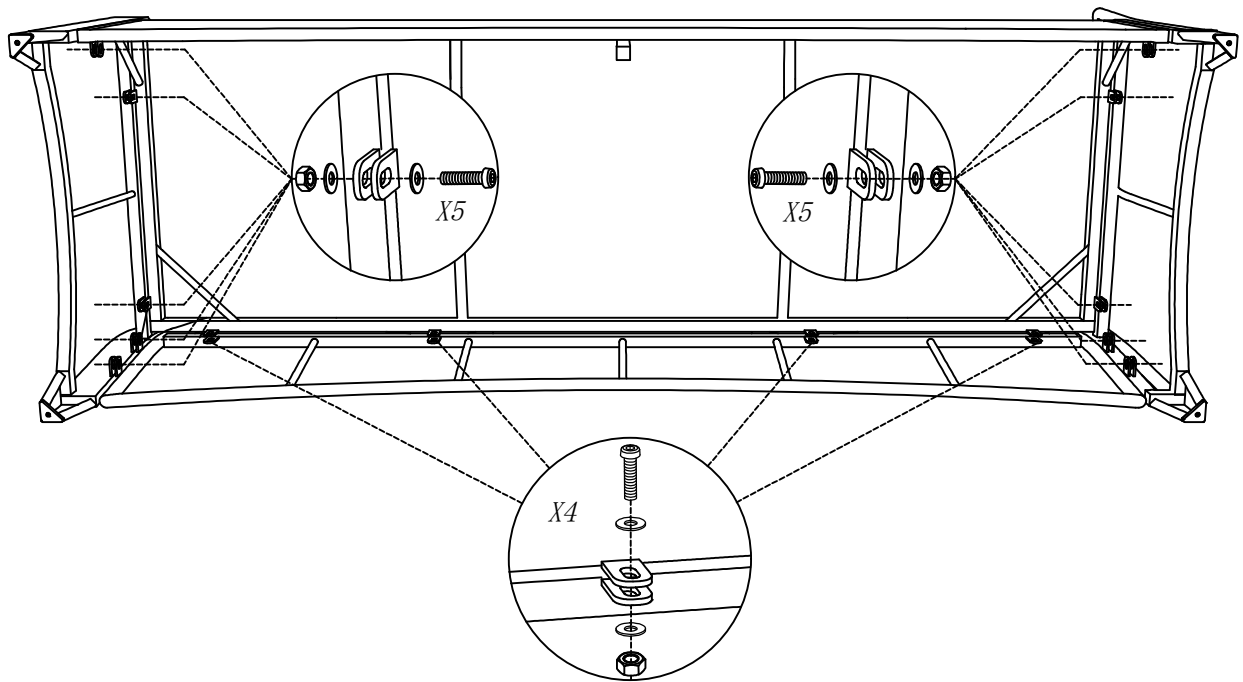
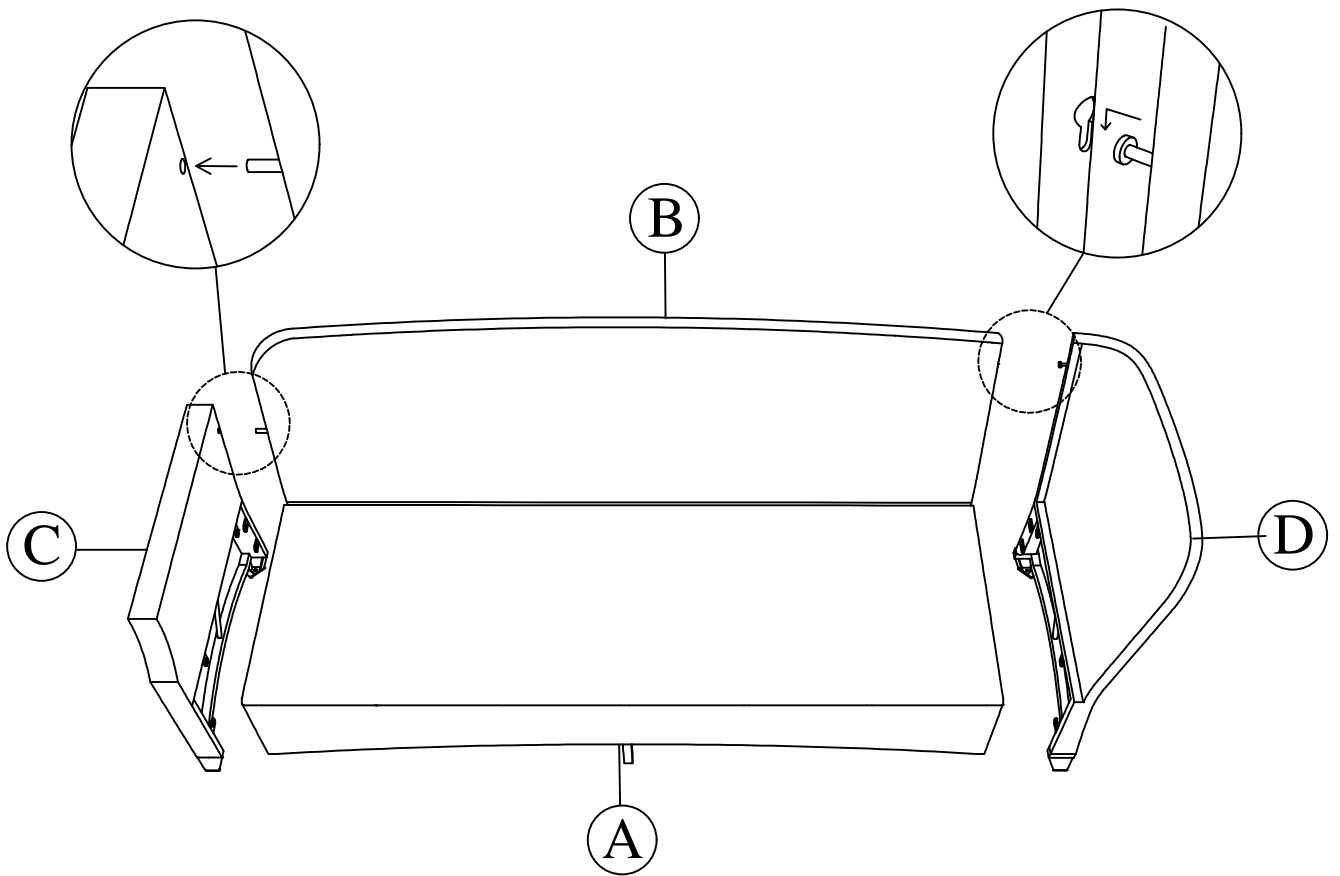
Tel : _____

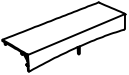
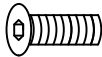
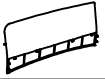




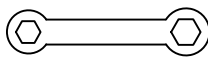
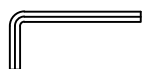
Please provide pictures of the installed furnitures and gazebos,of all six sides of the boxes,of all damaged places.

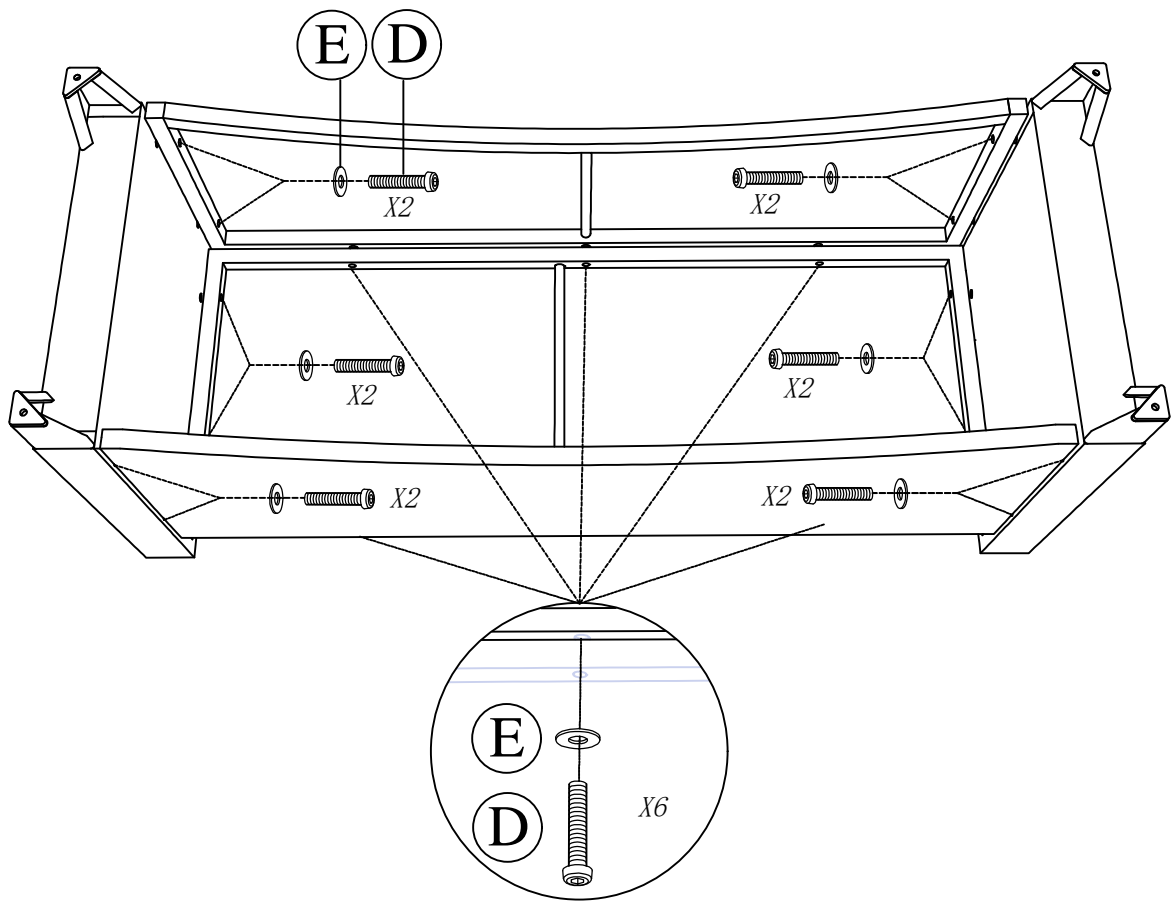
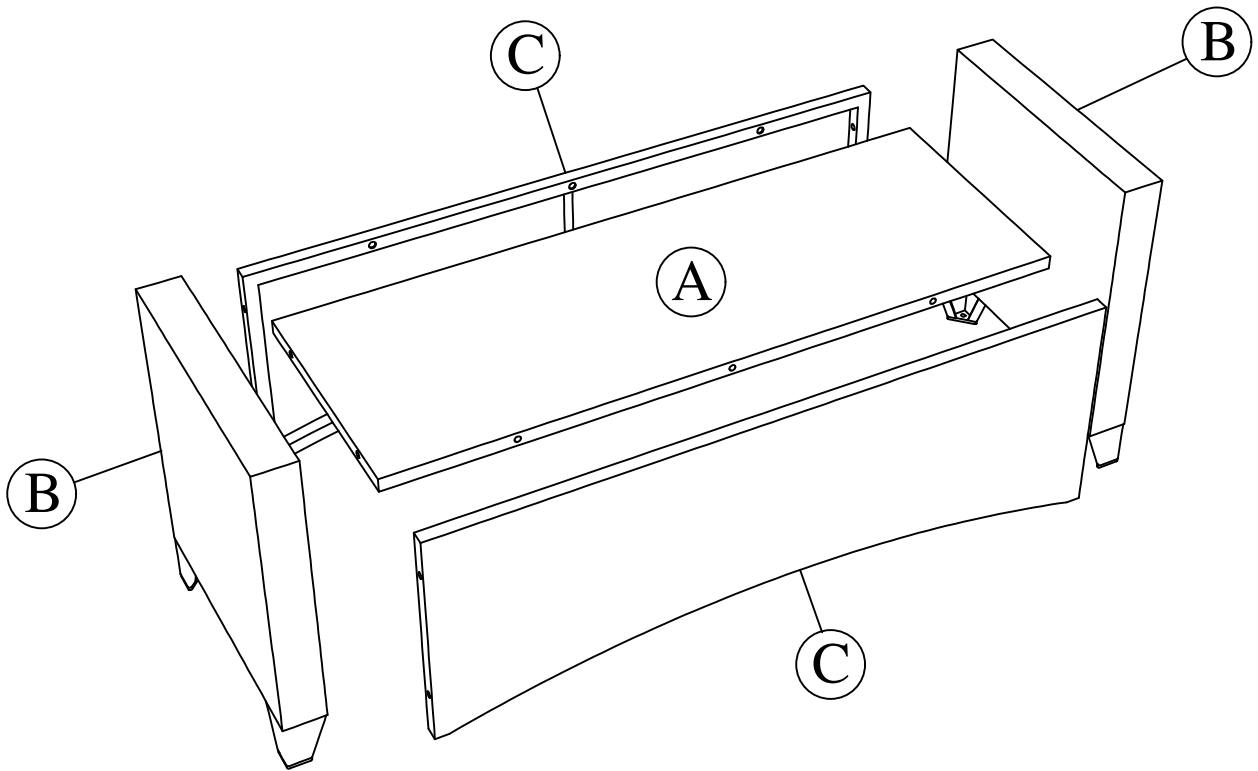
Part#	Qty	Description	Missing/Damaged
			M / D
			M / D
			M / D
			M / D






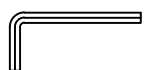
I attest that I have read the instructios and verified all the pieces were received.

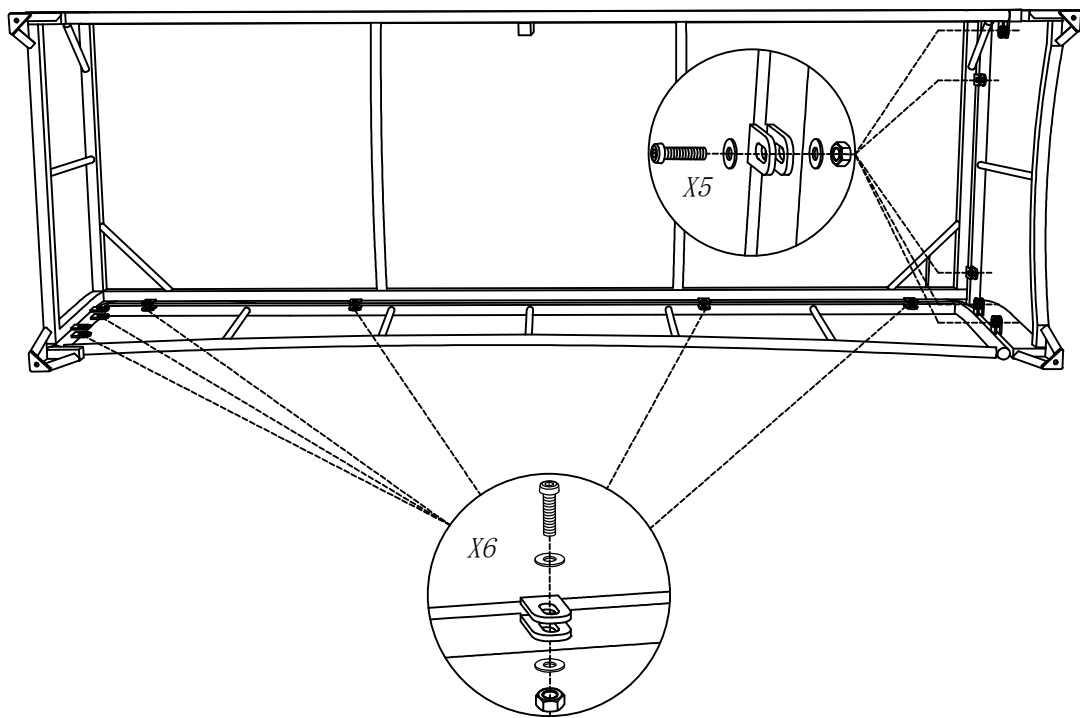
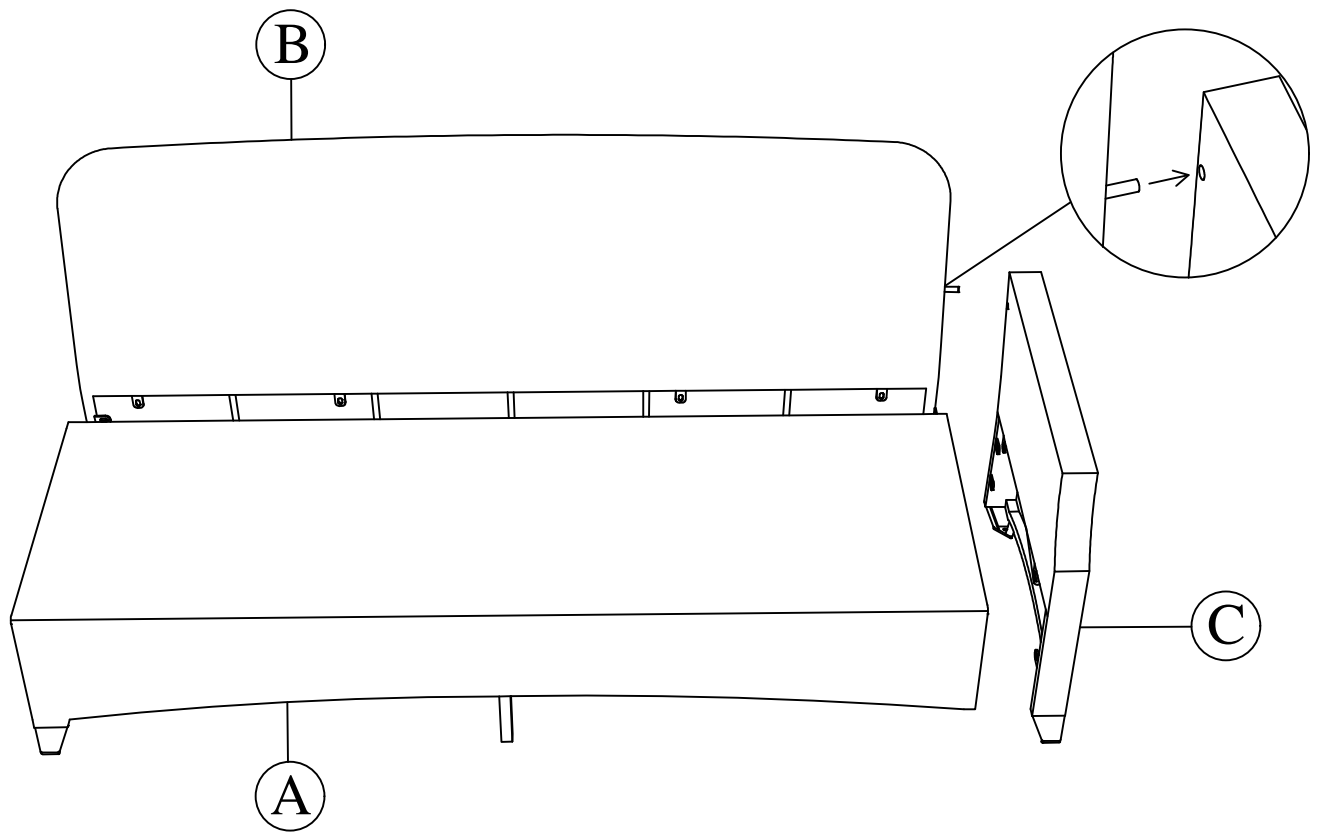
Signature _____ Date: _____

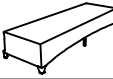

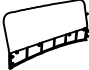


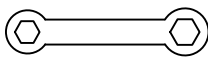
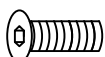
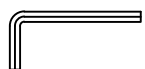


	PARTS LIST	DESCRIPTION	QTY		PARTS LIST	DESCRIPTION	QTY
A		SEAT FRAME	1	E		1/4"x30 mm BOLT	14
B		BACK FRAME	1	F		Ø6.5x1.0 mm WASHER	28
C		ARM RIGHT	1	G		1/4" NUT	14
D		CORNER BACK FRAME	1	H		10 / 12mm HEX WRENCH	1
				I		HEX BOLT DRIVER	1



	PARTS LIST	DESCRIPTION	QTY		PARTS LIST	DESCRIPTION	QTY
A		TOP PANEL	1	D		1/4"x40 mm BOLT	18
B		LEG	2	E		Ø6.5x1.0 mm WASHER	18
C		SIDE PANEL	2	F		HEX BOLT DRIVER	1



	PARTS LIST	DESCRIPTION	QTY		PARTS LIST	DESCRIPTION	QTY
A		SEAT FRAME	1	E		Ø6.5x1.0 mm WASHER	22
B		BACK FRAME	1	F		1/4" NUT	11
C		ARM LEFT	1	G		10 / 12mm HEX WRENCH	1
D		1/4"x30 mm BOLT	11	H		HEX BOLT DRIVER	1



Customer Instruction Card

To our most beloved and valued customer:

Thank you for your order, and we appreciate your trust and support.

If you need any assistance or have any questions about your order, please reach our customer service team with your order number at:

Direct Wicker Corp Tel: (813) -304-1389

ET: 9 AM - 5 PM, Monday - Friday

If you would like to know more about Direct Wicker or need to forward documents, you can also reach us at: **customerservice@directwicker.com**

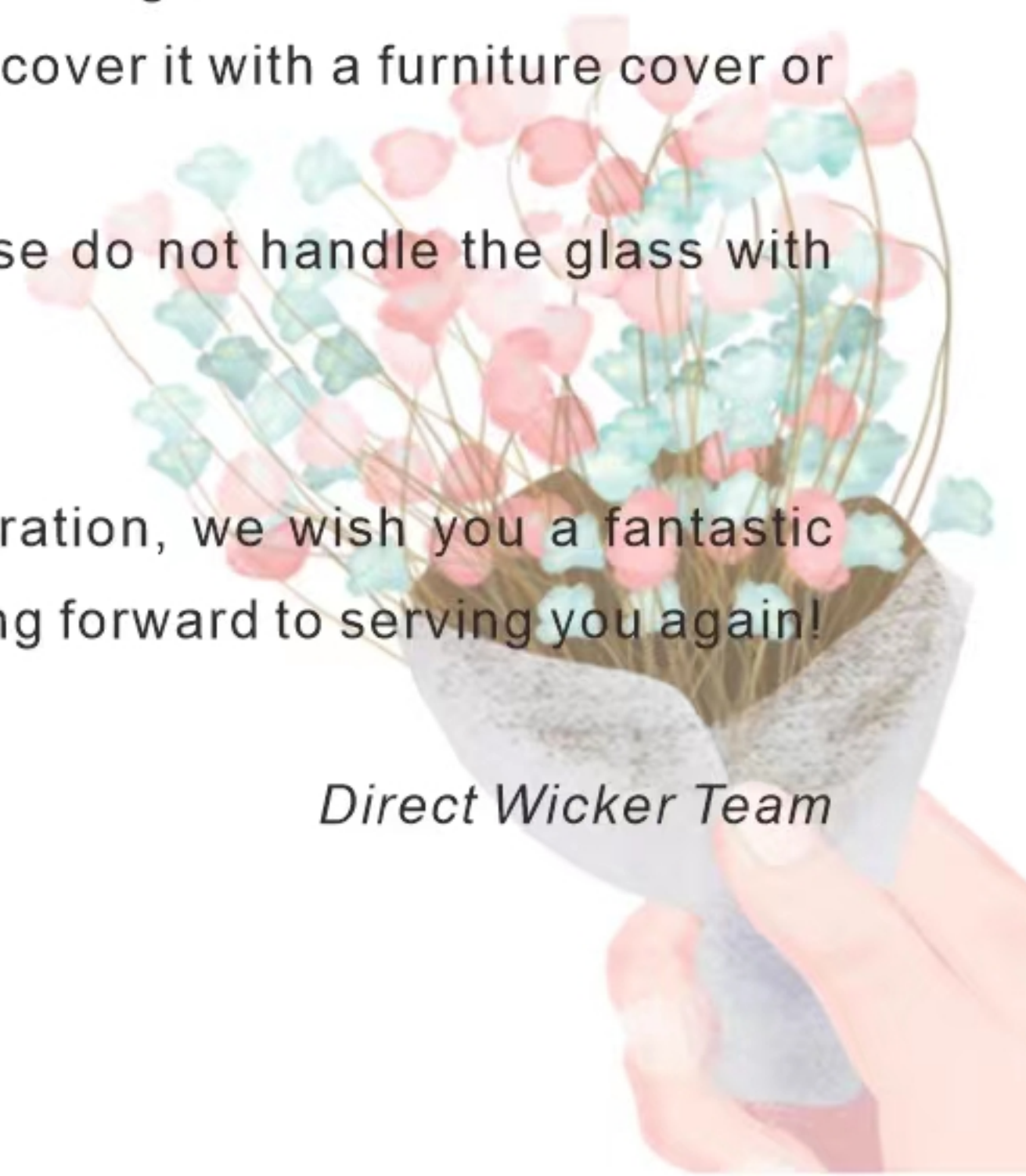
Our team will always be here to help.

Common Questions:

1. Normally the cushion is placed within the ottoman/ chair, please turn it upside down, you may find the cushion.
2. Please do not fully tighten the screws before all parts were assembled successfully, in case the products can not be lined up in position.
3. Furniture sets are mostly delivered in multiple cartons. If the numbers of boxes you received are not correct/missing. Please contact us via phone or email with your order number.
4. If you would like to return the order, be sure to also return any accessories and packing slips that came with your original package.
5. If the set is not in use for a long time, please cover it with a furniture cover or store it indoors.
6. Please be very careful with the glass, please do not handle the glass with bare hands if it was broken.

Thank you for your understanding and cooperation, we wish you a fantastic shopping experience with us, and we are looking forward to serving you again!

Direct Wicker Team



Your Home Our Passion



For more information, please visit our website:
www.directwicker.com