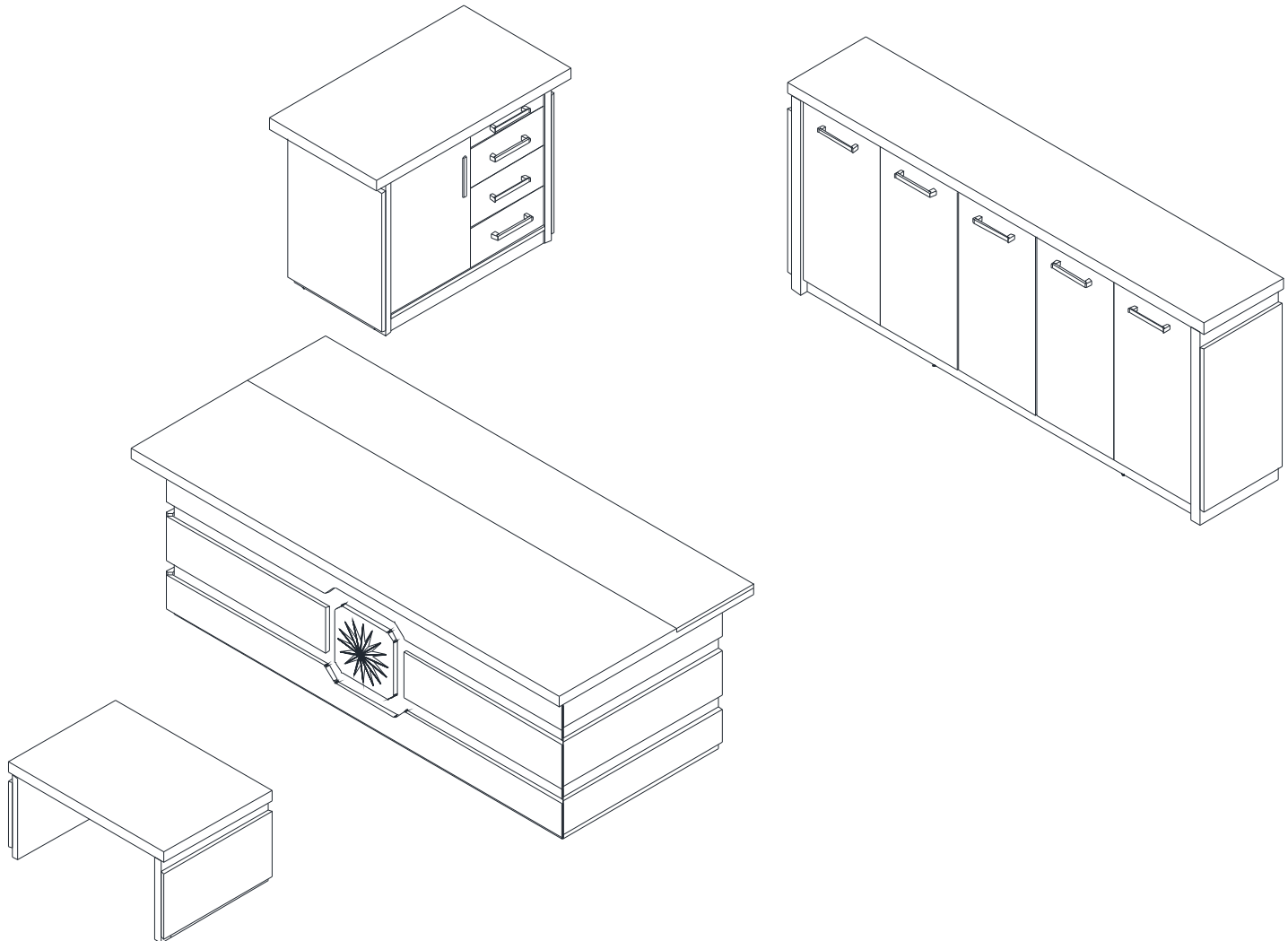


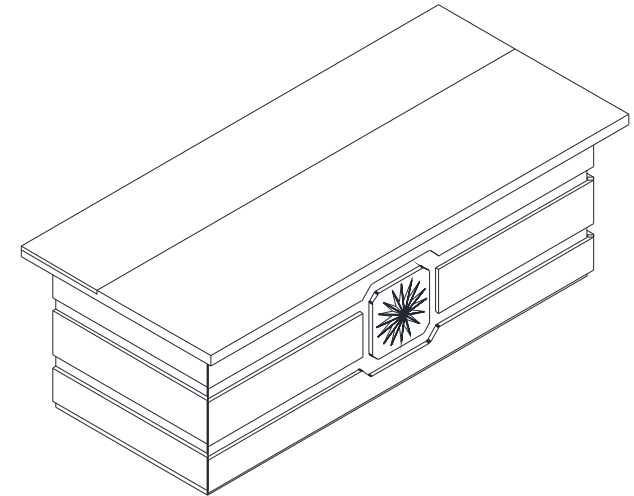
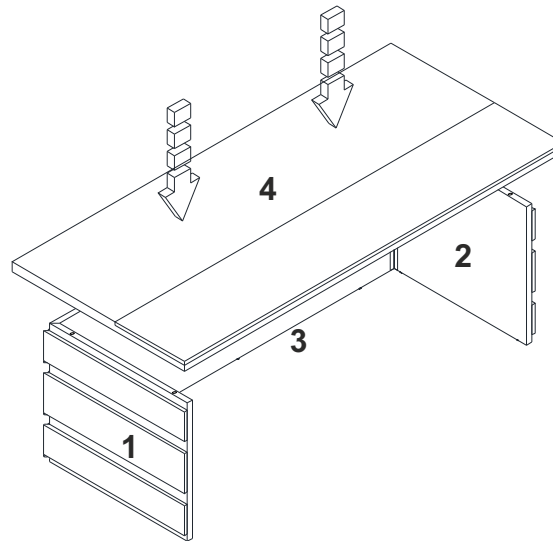
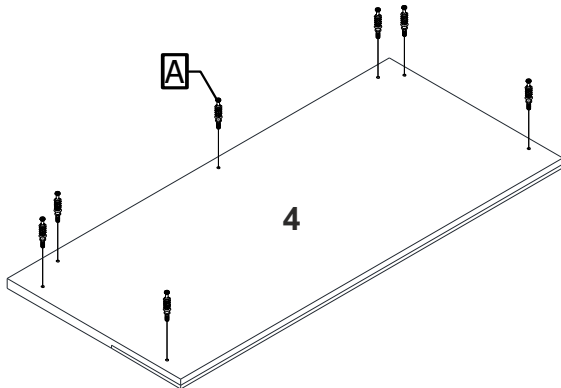
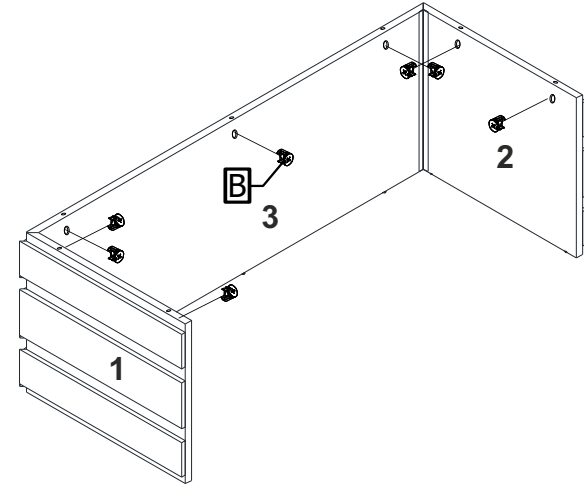
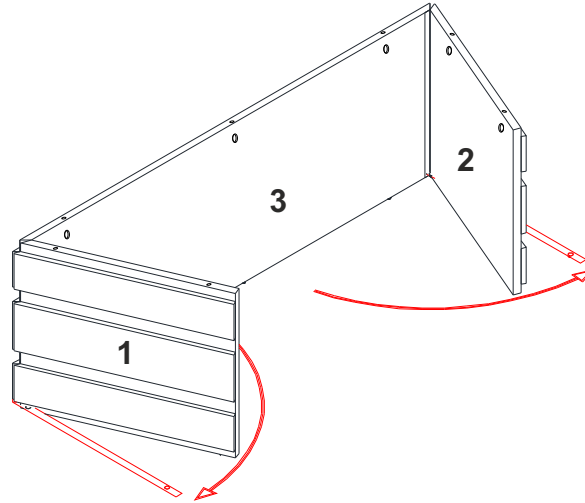
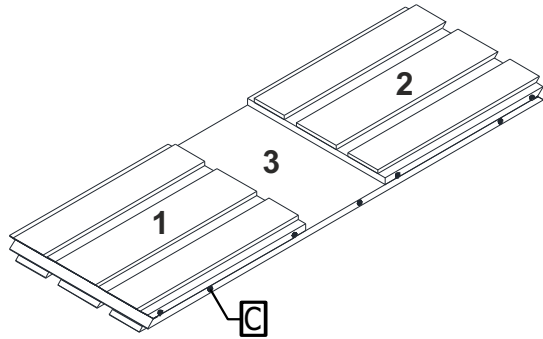
PRODUCT : ARMA OFFICE DESK
CODE : ARM 01
DIMENSIONS : 200x100x75
TOTAL PACKAGES : 2

PRODUCT : ARMA CABINET
CODE : ARM 04
DIMENSIONS : 210x40x91
TOTAL PACKAGES : 3

PRODUCT : ARMA ETAGERE
CODE : ARM 03
DIMENSIONS : 95x55x75
TOTAL PACKAGES : 2

PRODUCT : ARMA COFFEE TABLE
CODE : ARM 04
DIMENSIONS : 80x55x42
TOTAL PACKAGES : 1





Part Code Quantity

A 7

B 7

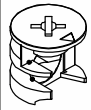
C 7

Part Name



MINIFIX STEEL SHAFT

102-001



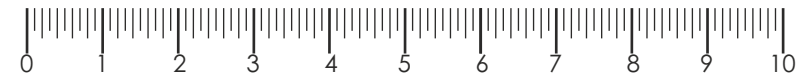
MINIFIX SCREW

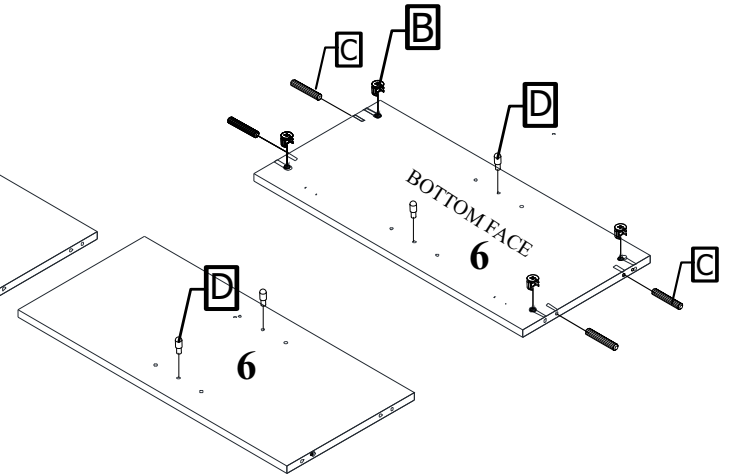
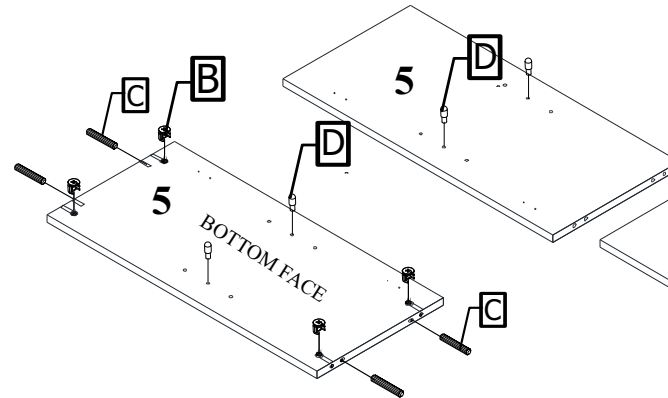
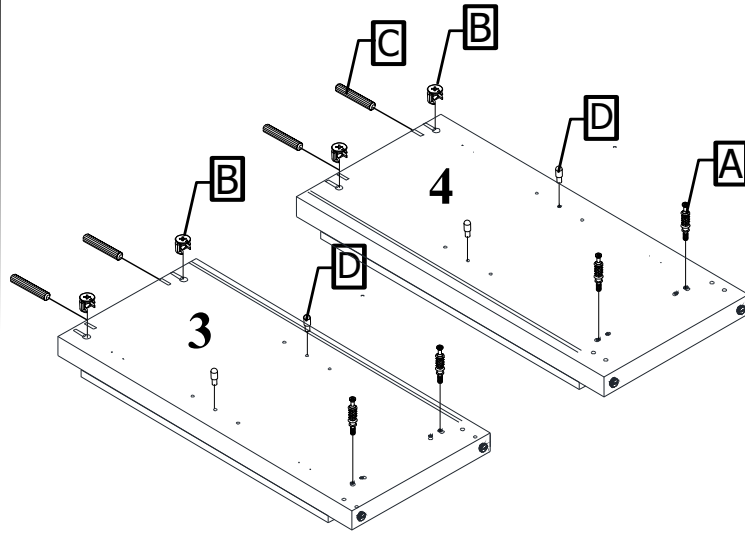
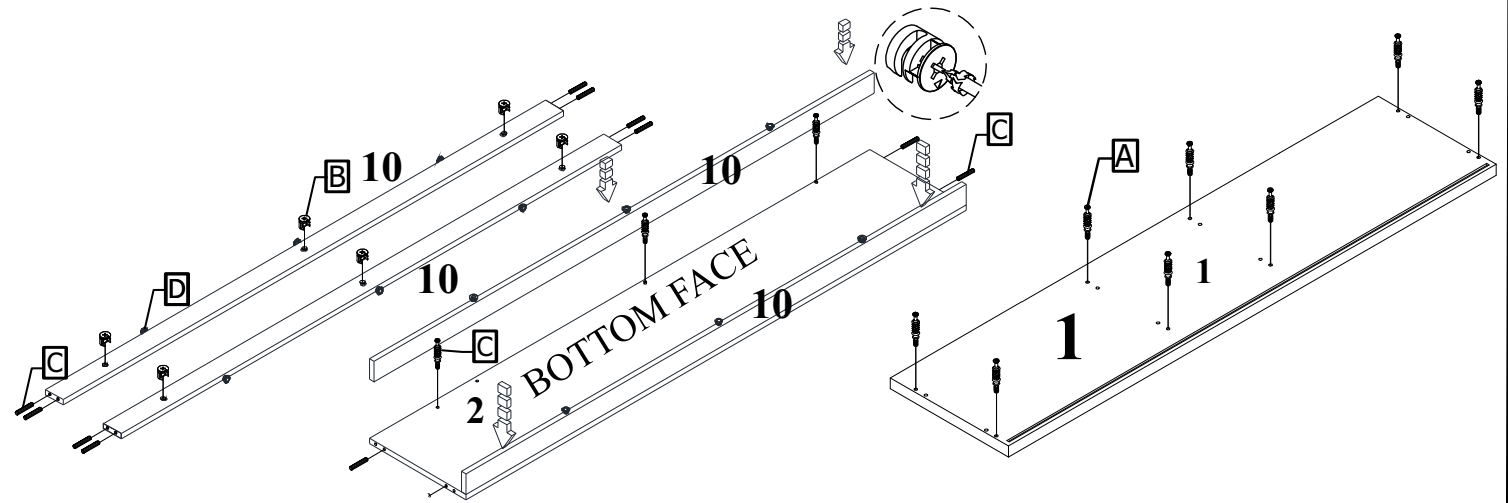
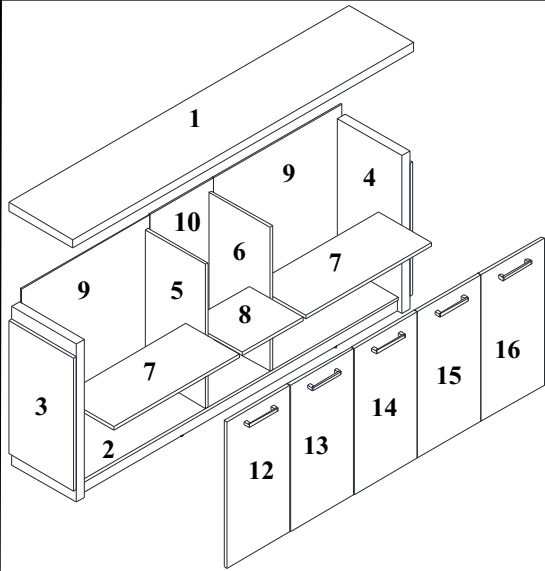
102-002



102-003

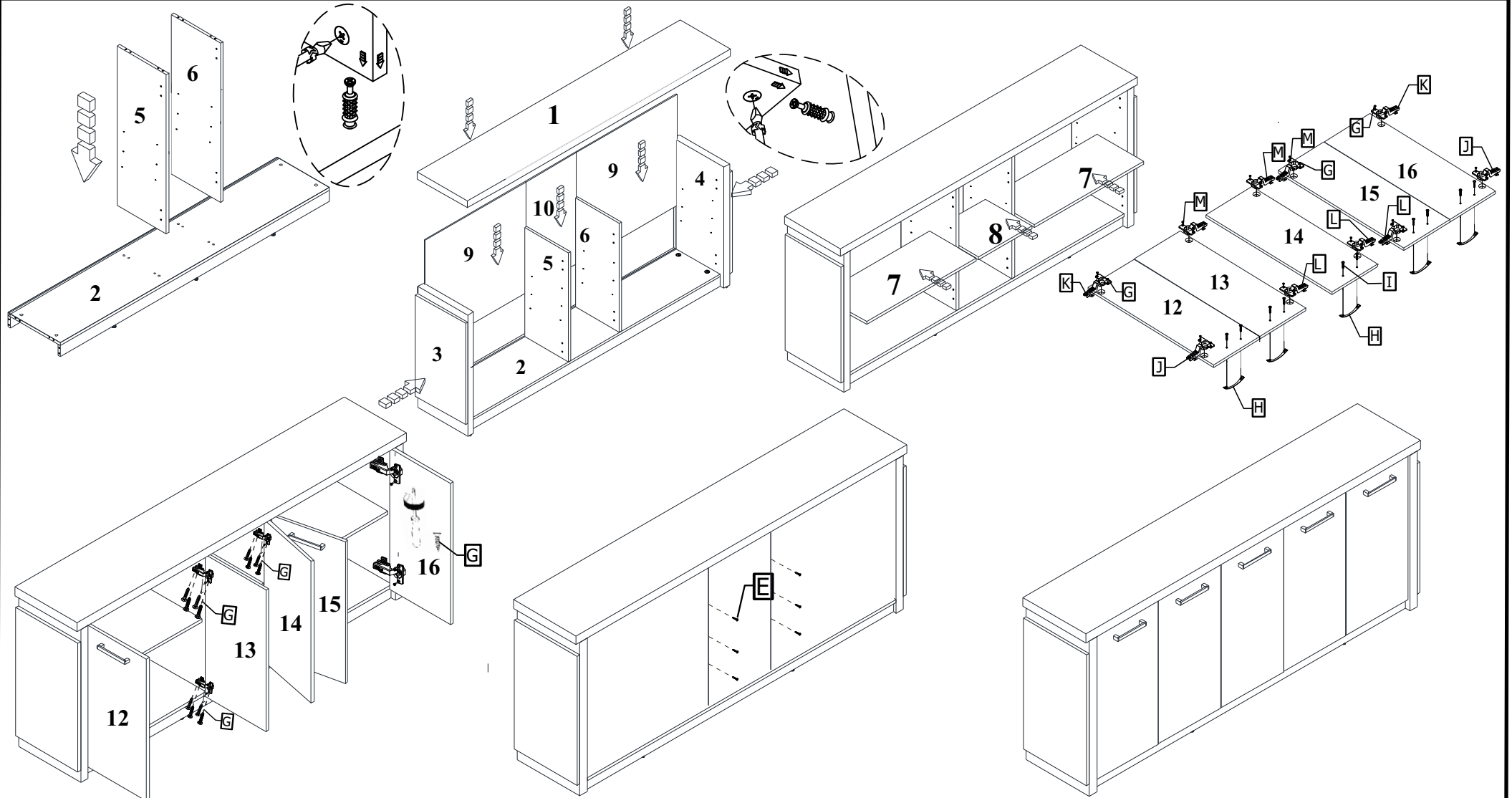
--	--	--	--	--	--	--	--	--	--	--	--	--	--	--	--	--	--	--	--





Part Code	Quantity	A	B	C	D	E	F	G	H	I	J	K	L	M			
Part Name																	
Part Number		102-001	102-002	102-003	102-004	102-005	102-006	102-007	102-008	102-009	102-010	102-011	102-012	102-013			





Part Code Quantity

Part Name

Part Number


A 22



MINIFIX STEEL SHAFT

102-001


B 22



MINIFIX SCREW

102-002

C 24



Ø8 x 30 PLS DOWEL

102-003


D 12



SHELF PIN (5 MM) (Y - 45)

102-004

E 6



4*35 SCREWS

102-005


F 10



PINGO M6 (Y - 166)

102-006


G 40



3.5*18 SCREWS

102-007


H 5



CHROME HANDLE 160 MM (Y-661)

102-008


I 10



HANDLE SCREW M4*22 YHB (Y - 119)

102-009


J 2



SOFT CLOSING FULL OVERLAY HINGE

102-010


K 2



FULL OVERLAY HINGE

102-011


L 3



SOFT CLOSING HALF OVERLAY HINGE

102-012

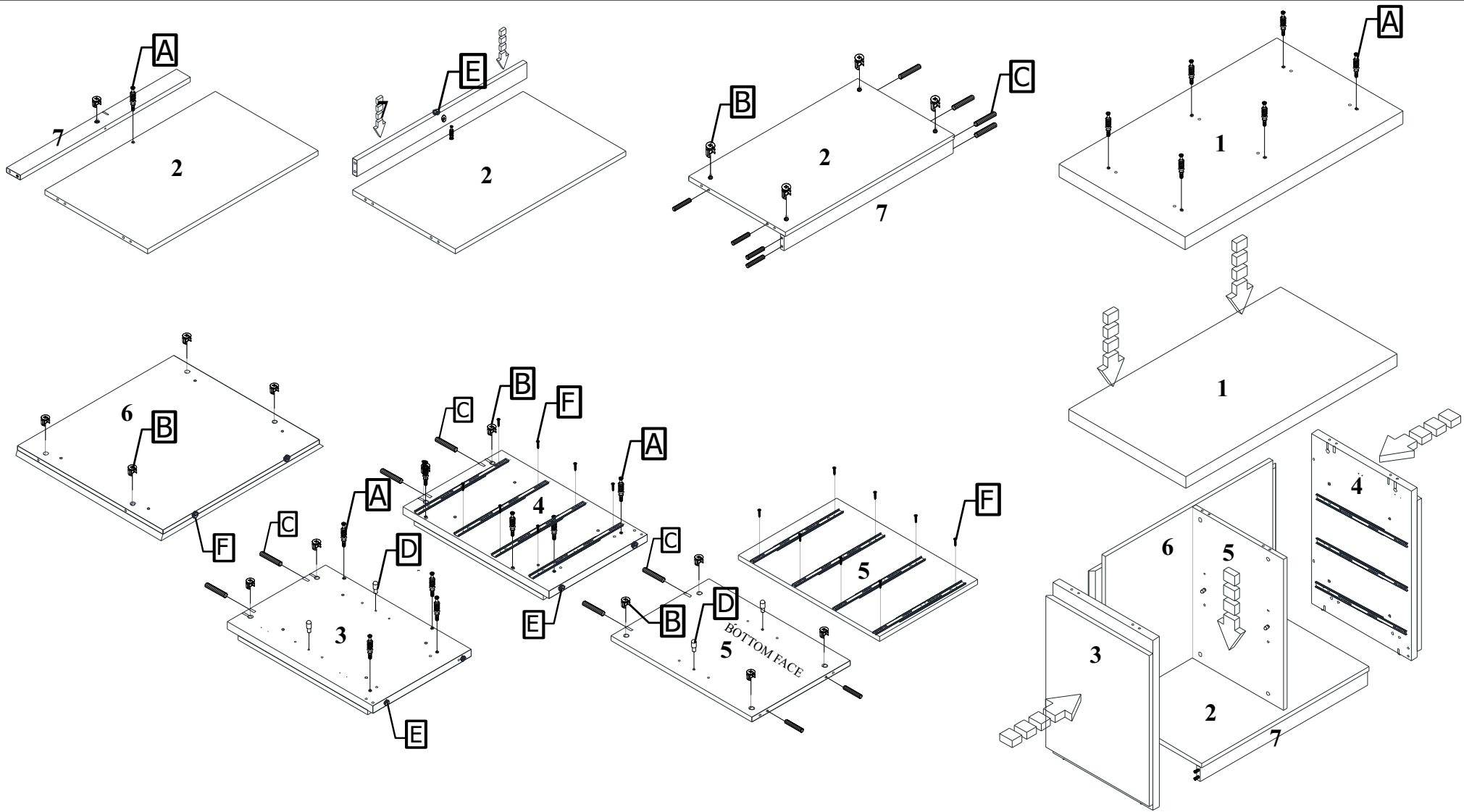
M 3



HALF OVERLAY HINGE

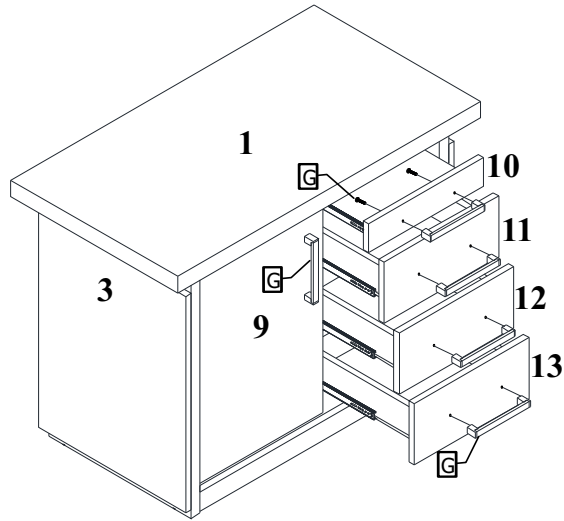
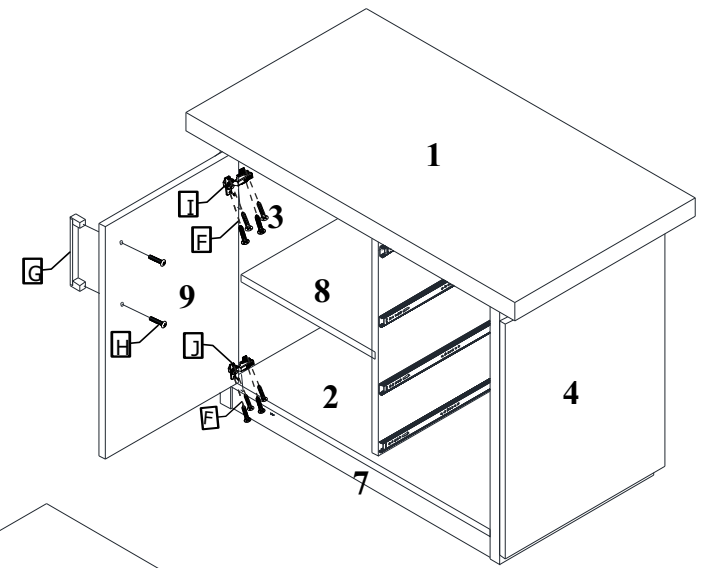
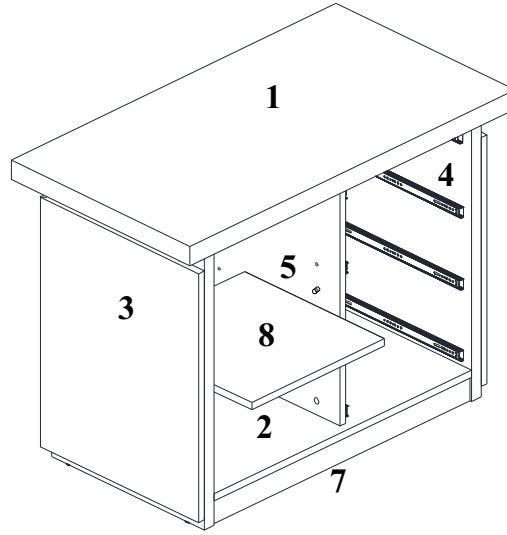
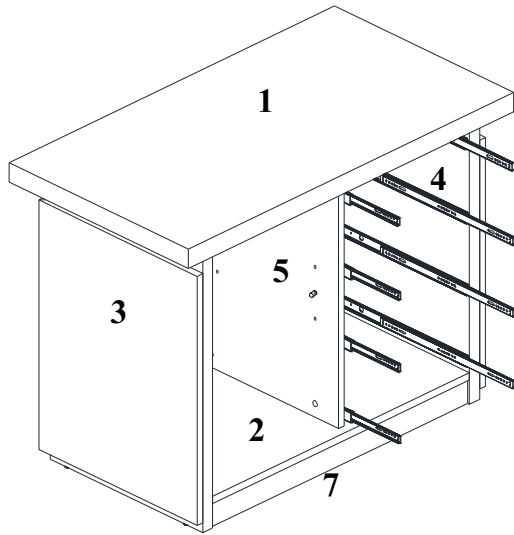
102-013





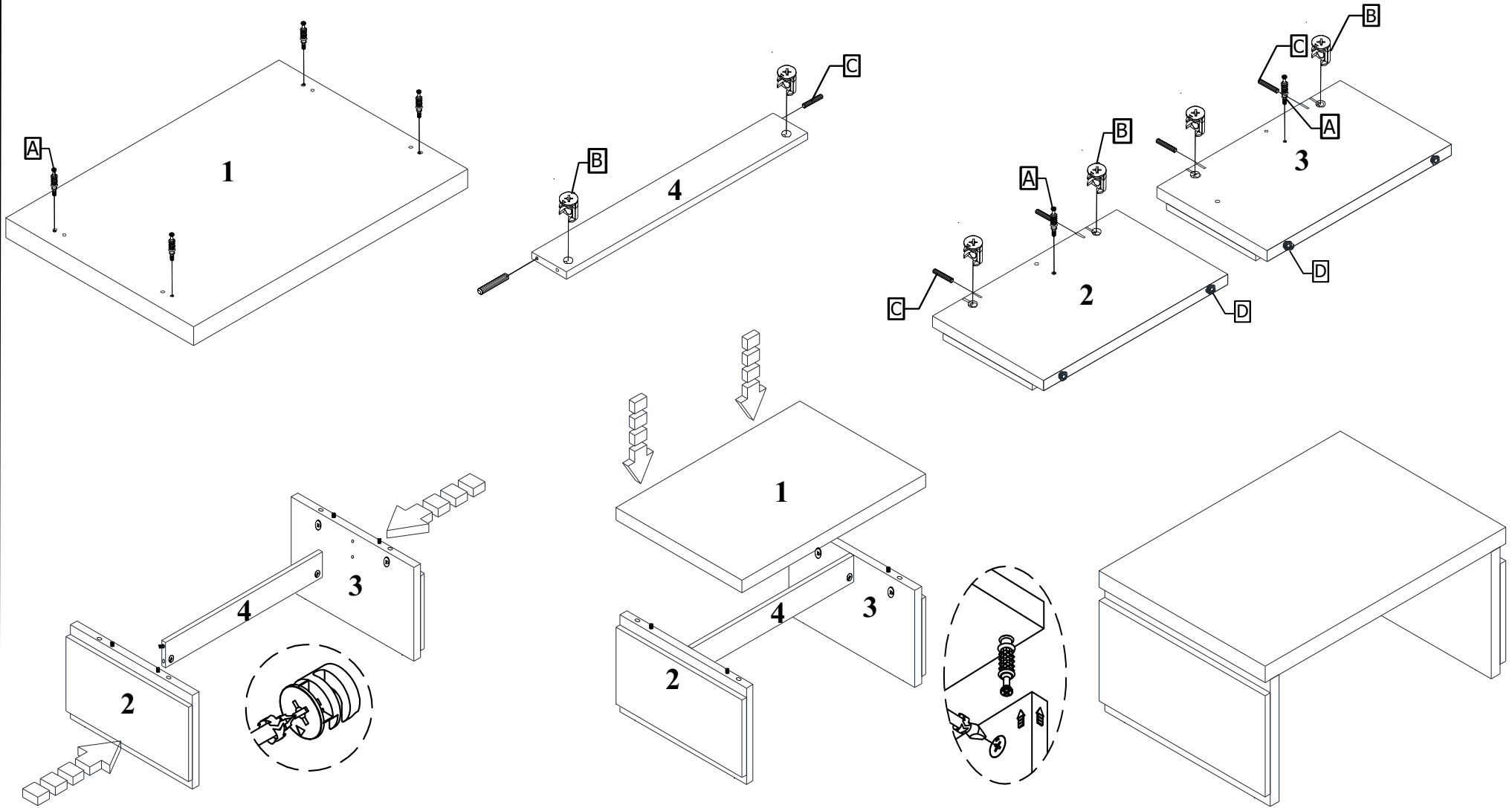
Part Code	Quantity	A	B	C	D	E	F	G	H	I	J					
Part Name																
Part Number		102-001	102-002	102-003	102-004	102-006	102-007	102-008	102-009	102-010	102-011					









Part Code	Quantity	A	B	C	D	E	F	G	H	I	J						
Part Name																	
Part Number		102-001	102-002	102-003	102-004	102-006	102-007	102-008	102-009	102-010	102-011						





Part Code	Quantity	A	B	C	D												
Part Name																	
Part Number		102-001	102-002	102-003	102-004												

