

INSTRUCTION MANUAL

14FT x 24FT Gazebo

**IF YOU PURCHASED THE PRODUCT ONLINE AND HAVE ANY
QUESTIONS OR CONCERNS PLEASE
CONTACT US WITH EMAIL OR TEXT**

EMAIL: yardsightfurniture@outlook.com

TEXT: +1 323-400-0363

Thank you for your purchase of Gazebo and follow this assembly and operation guide.

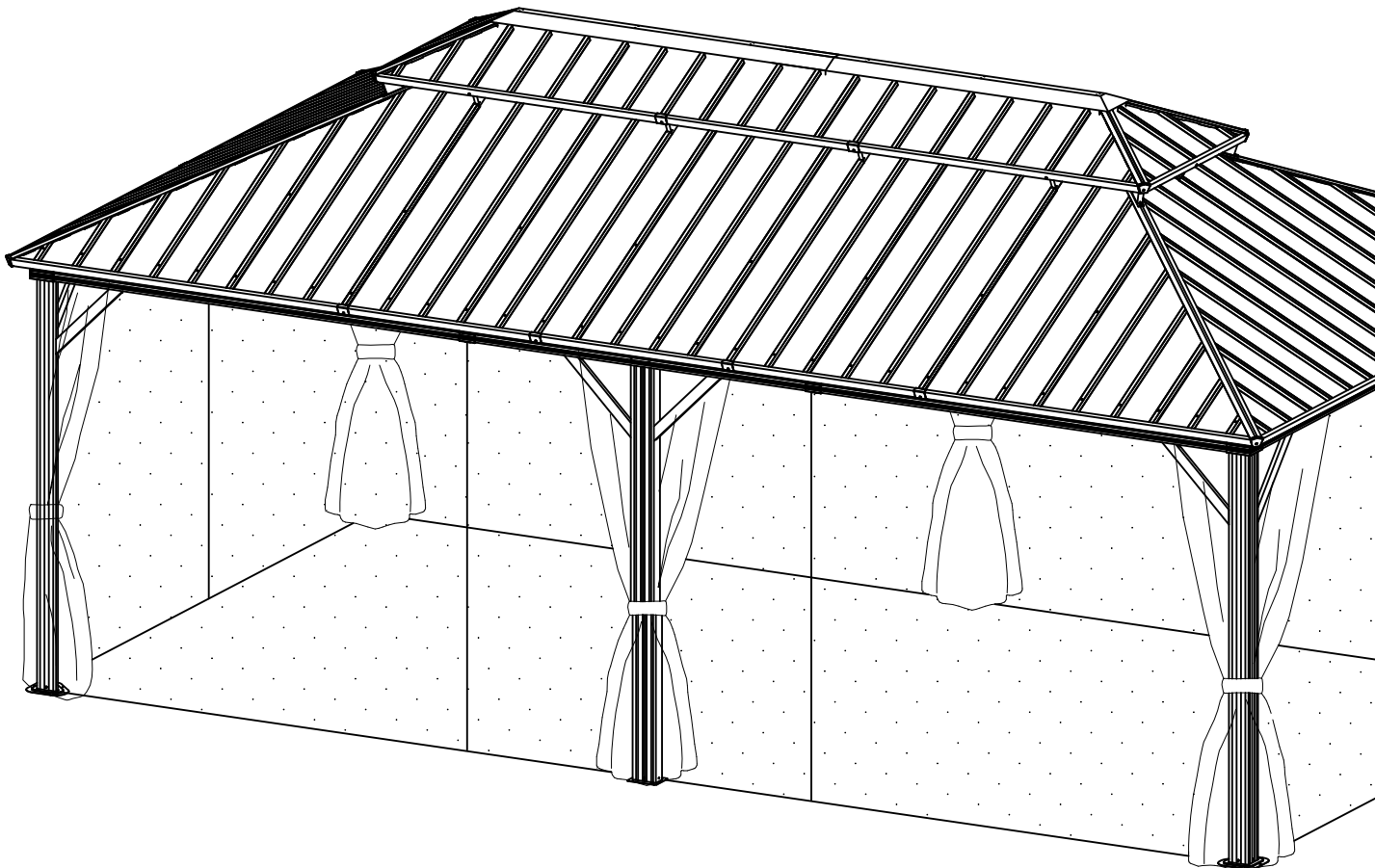
To reduce personal injury and damage to your gazebo, please attach your gazebo netting to the post when it is incoming over **20 mph** wind.

We recommend a **five-person team** for assembly and disassembly.

If you like our products,
please follow more.

Care and Cleaning

- Wash frame parts and fabric with mild soap and water, rinse thoroughly.
- Dry the frame completely and allow the fabric to drip dry.
- Do not use bleach, acid, or other solvents on the fabric or frame parts.
- Please inspect and tighten all bolts or fasteners on a regular basis to ensure the proper performance and safety of your gazebo.



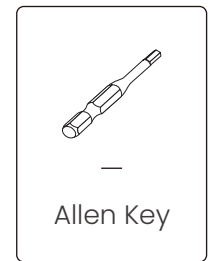
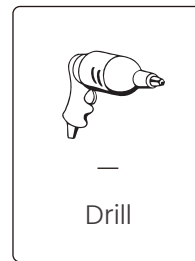
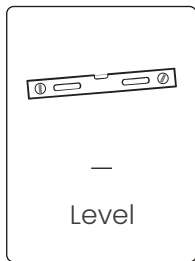
Warnings and Cautions

- Please retain this instruction for future usage and read carefully before assembly.
- Make sure you have all the parts & hardware as the item list shows.
- 5 adults or more are recommended to install your gazebo.
- Do not discard any of the packaging until you have checked that you have all the parts and pack of fittings.
- Check all bolts for tightness before use, and periodically check and tighten bolts to ensure your gazebo works properly.
- Some parts might have sharp edges/corners. Please follow basic safety precautions to reduce the risk of hurt.
- It is essential to place the gazebo on level ground and not less than 6 feet from any obstruction such as fences, garages, the house, overhanging branches, laundry lines, or electrical wires.
- Lastly, be careful the parts are not swallowed by pets and kids.

Pre-assembly

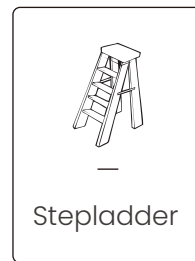
TOOLS THAT MAY BE REQUIRED (NOT included in the boxes)

*NOTE: Tools / equipment are not shown to actual size and scale



EQUIPMENT REQUIRED (NOT included in the boxes)

*NOTE: Equipment are not shown to actual size and scale



Matters needing attention



Five or more people are required for assembly.



Do not fully tighten screws prior to complete assembly.

Warranty

One Year Warranty

Frames

Frames constructions are warranted to be free from defects in material and workmanship for 1 year from item purchased. Damage to frame from negligence won't be covered by this warranty.

Bolts & nuts

Bolts and nuts are warranted to be free from defects in material and workmanship for 1 year from item purchased. Damage from exposure to chemicals (including not only oils, spills, fluids) won't be covered by this warranty.

Netting

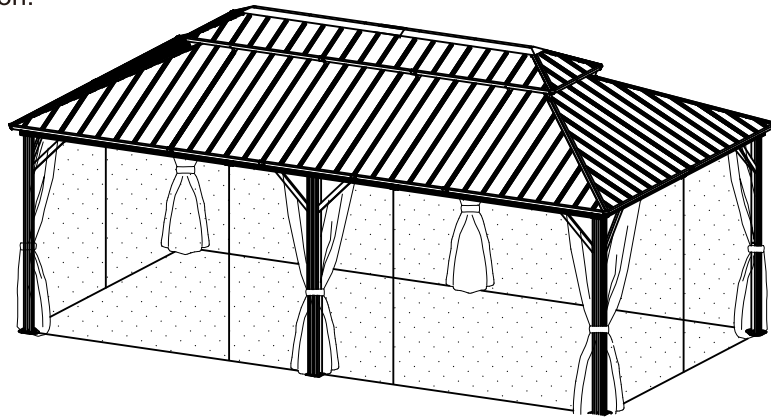
Nettings are warranted to be free from defects in material and workmanship for 1 year from item purchased. Damage from exposure to chemicals (including but not only oils, spills, fluids) won't be covered by this warranty.

Warranty Limitation

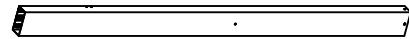
This warranty is for the original purchase order only. (Order number required). This warranty is non-transferable.

Attention:

1. Please do not fully tighten all the screws prior to complete assembly.
2. Please check the manual carefully and make sure you have received all the parts.
3. If there is any missing, please let us know the parts with the part number you need.
4. If there is any damage, please send clear photos to us, we will check and offer you best solution soon.



(A) 4x



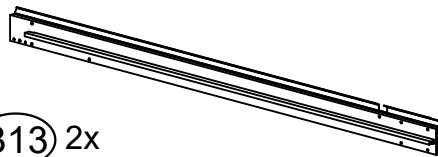
(A4) 2x



(B11) 2x



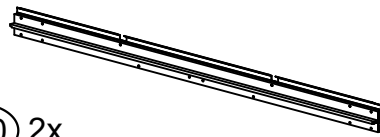
(B12) 2x



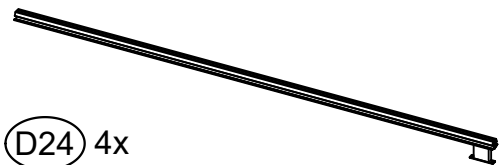
(B13) 2x



(B14) 2x



(B10) 2x



(D24) 4x



(D25) 2x



(D26) 8x



(C15) 4x



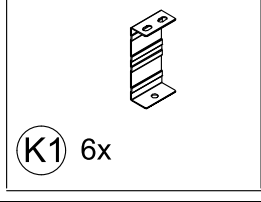
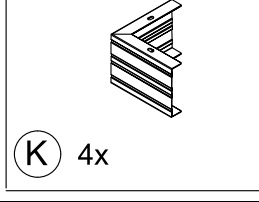
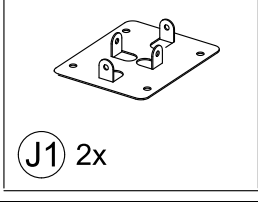
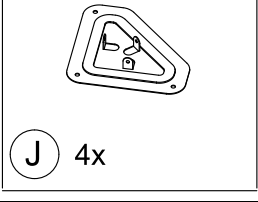
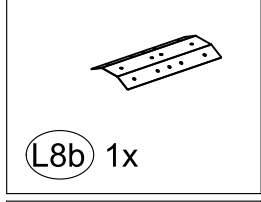
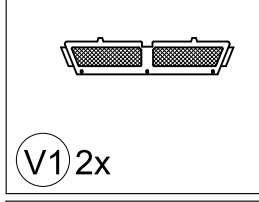
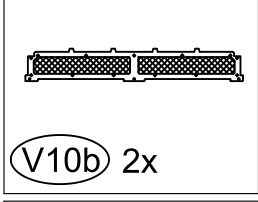
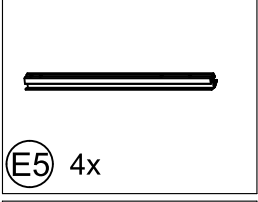
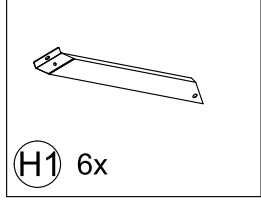
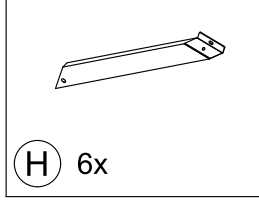
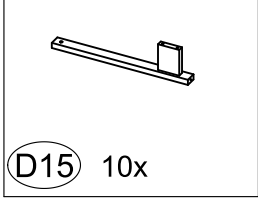
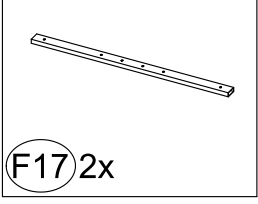
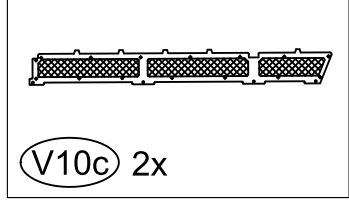
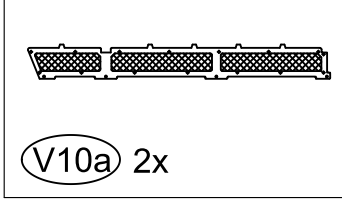
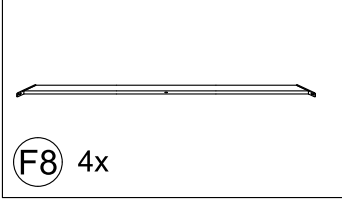
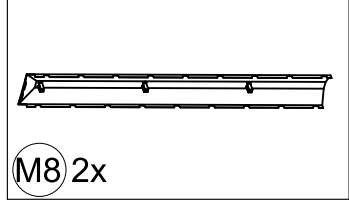
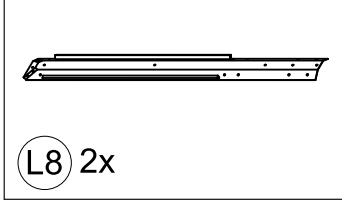
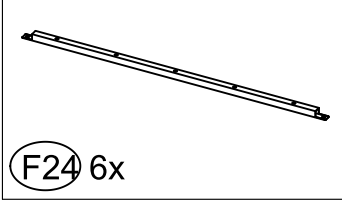
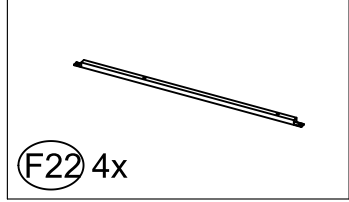
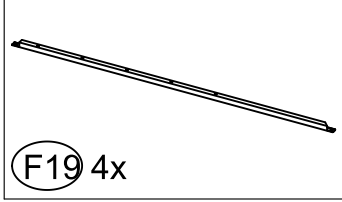
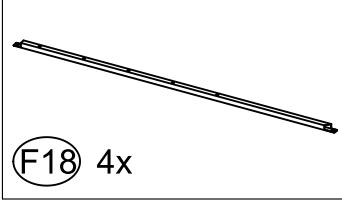
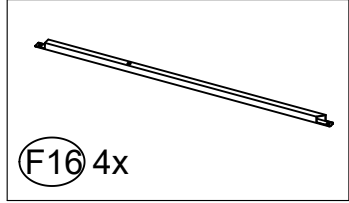
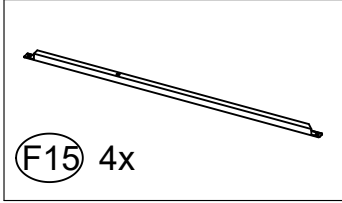
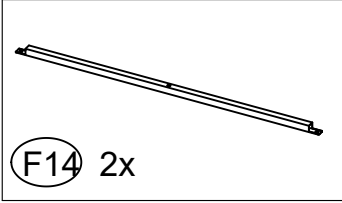
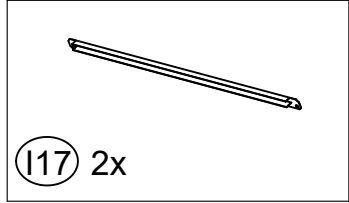
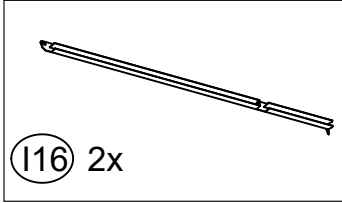
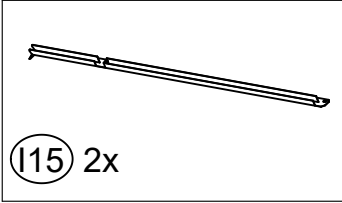
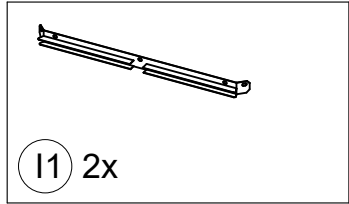
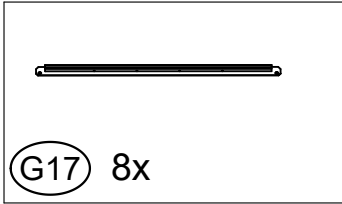
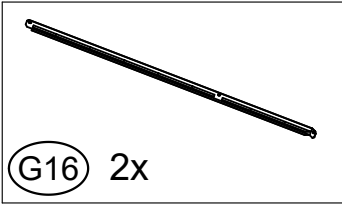
(C16) 4x


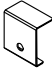
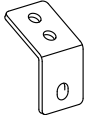


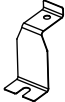
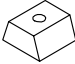

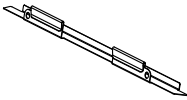
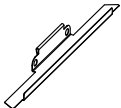
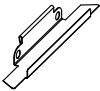
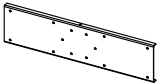
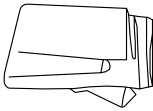
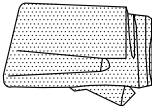
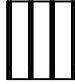

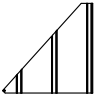
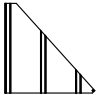

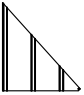
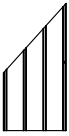
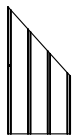


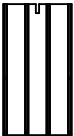


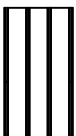










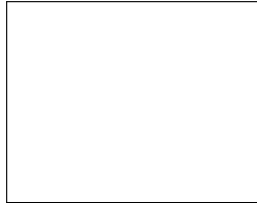
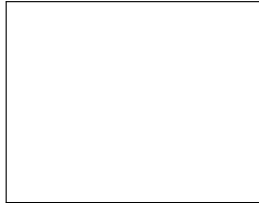
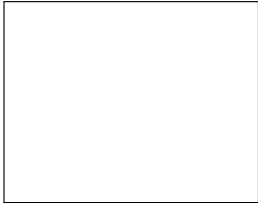
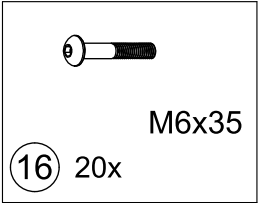
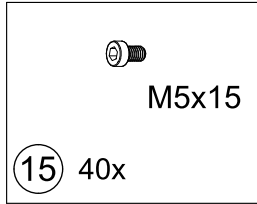
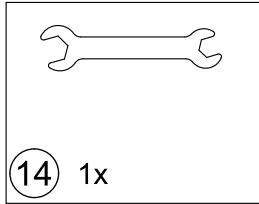
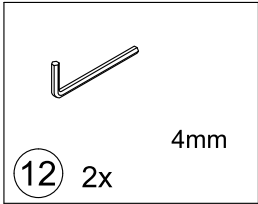
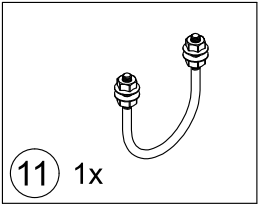
(G1) 2x



(G15) 2x



 N 12x	 N1 14x	 Q1 10x	 Q3 8x
 Q4 12x	 V 6x	 Y 198x	 U 176x
 Z 72x	 Z1 16x	 Z2 8x	 P 6x
 T 4x + 2x	 T1 4x + 2x	 X40 22x	 S3 10x
 S1 4x	 S2 4x	 X1 4x	 X2 4x
 X3 4x	 X4 4x	 X33 4x	 X34 4x
 X32 6x	 X35 2x	 X36 2x	 X39 4x
 M6x15 1 282x	 M6x23 2 110x	 ST 4.8x12 4 8x	 5 4x
 M6x47 7 88x	 8 20x	 M6x10 9 16x	 M8x50 10 20x

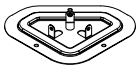


<1>

(A) 4x



(J) 4x



(Q3) 8x



(Q4) 8x



(1) 12x

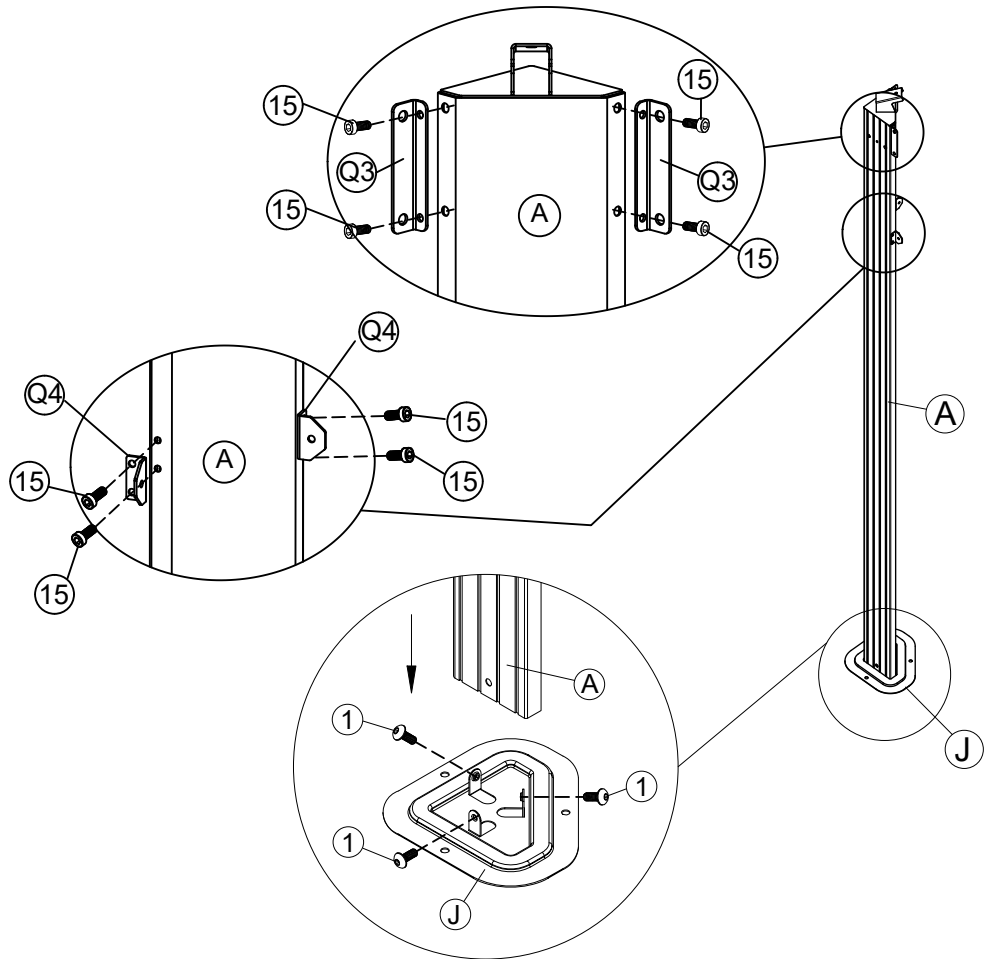


M6x15



M5x15

(15) 32x

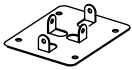


<2>

A4 2x



J1 2x



Q4 4x



1 8x

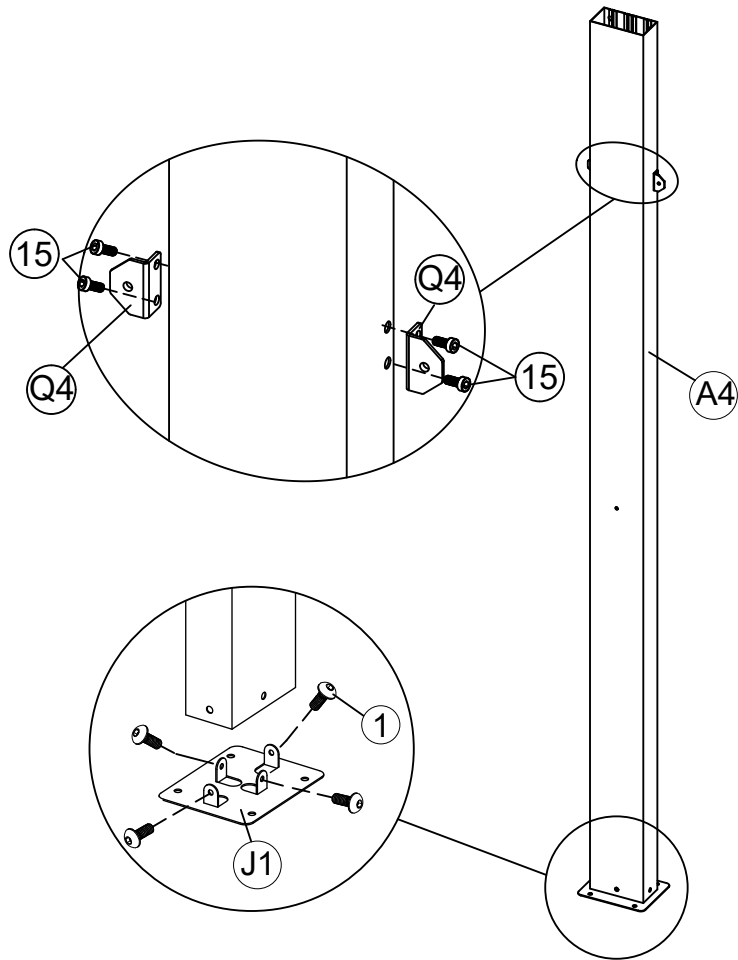


M6x15

15 8x



M5x15



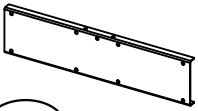
<3>



B11 2x



B12 2x

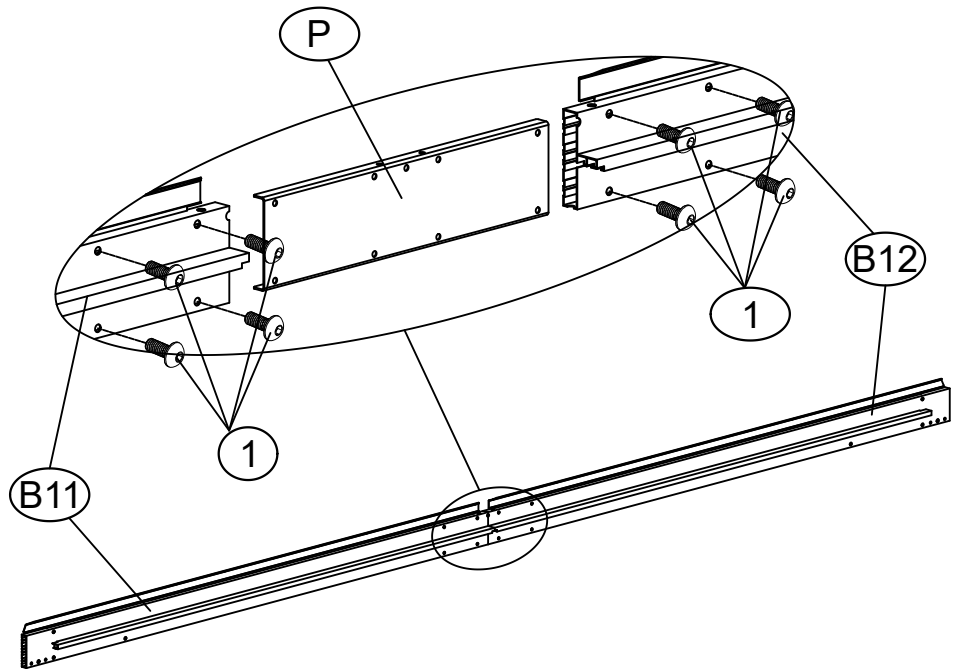


P 2x



M6x15

1 16x

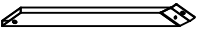




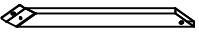
(B13) 2x



(B14) 2x



(H) 4x



(H1) 4x



M6x15

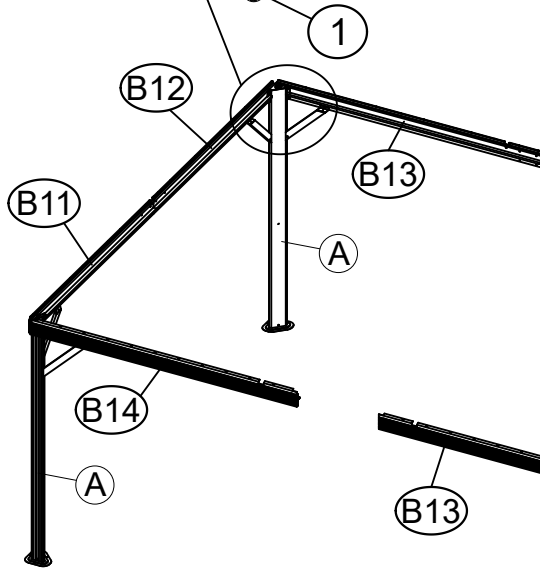
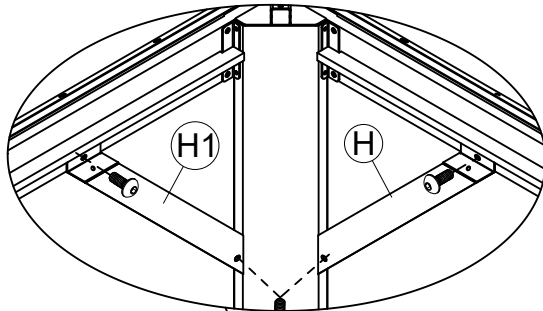
(1) 32x



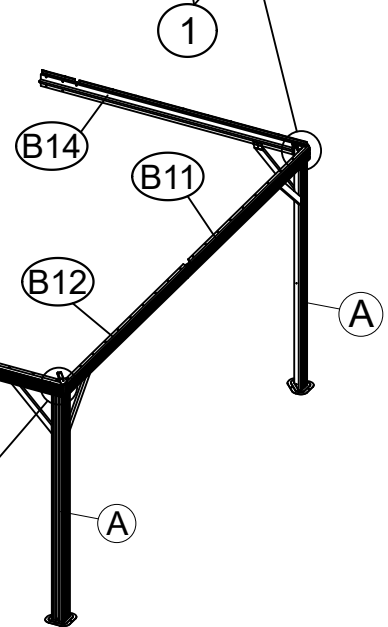
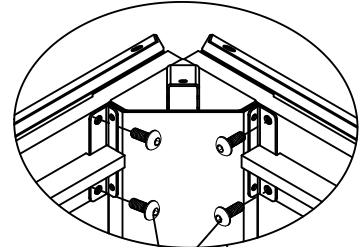
(8) 16x

<4>

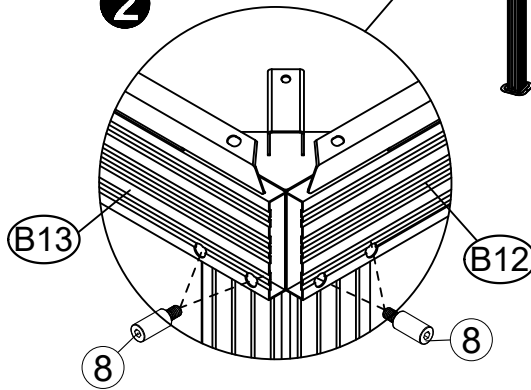
3


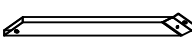
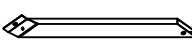
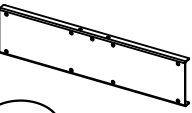




1

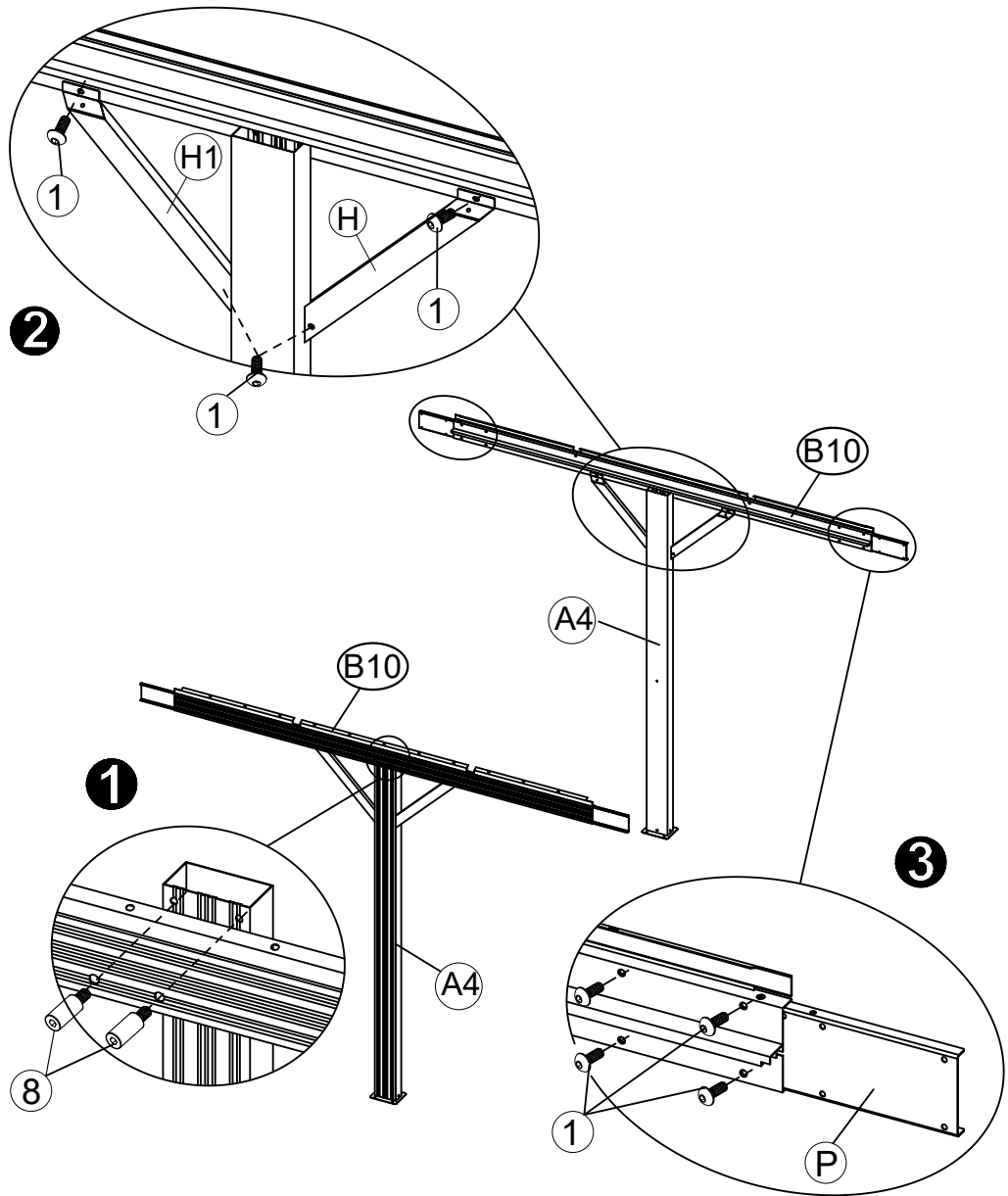


2

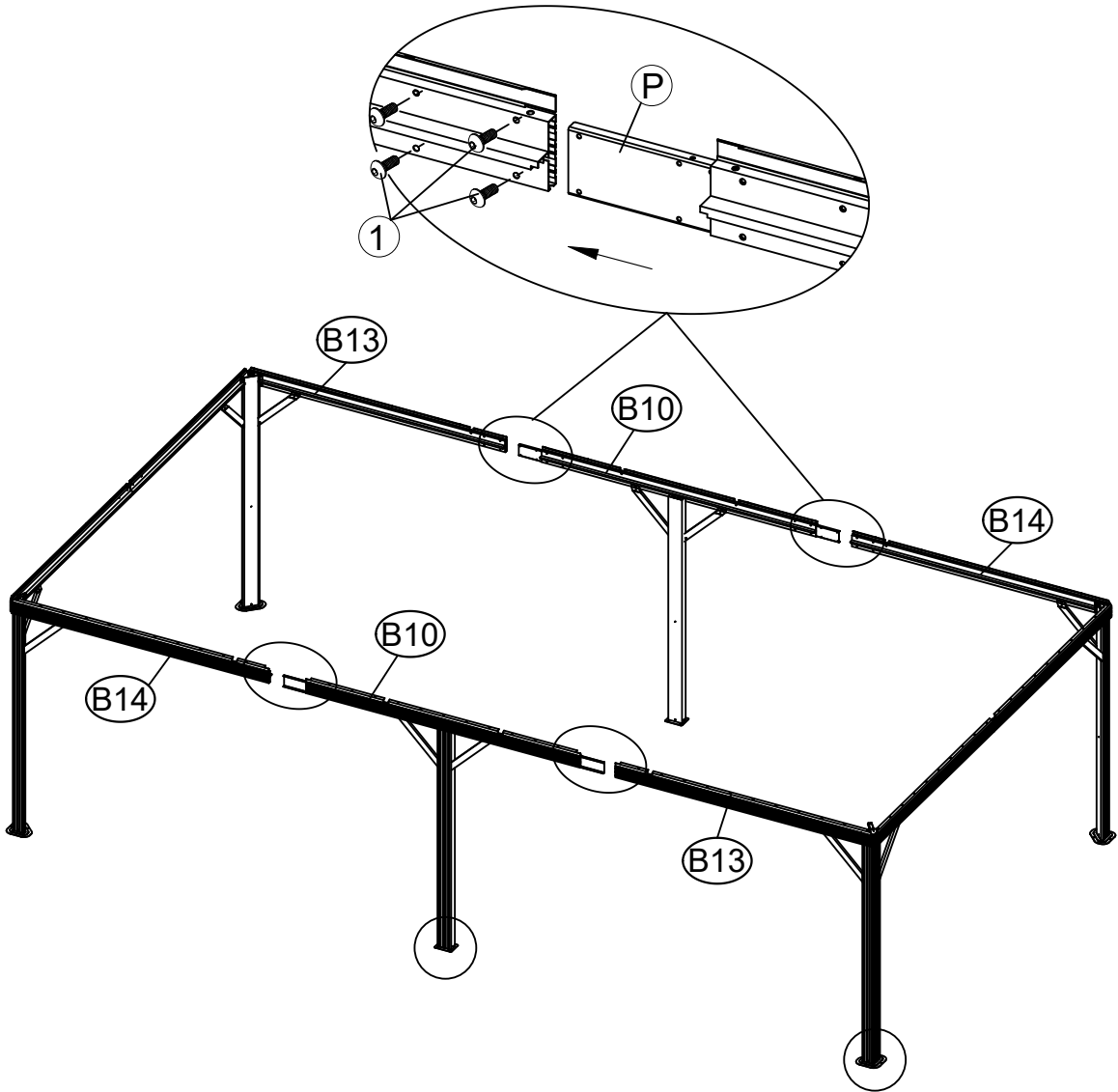


-  **(B10)** 2x
-  **(H)** 2x
-  **(H1)** 2x
-  **(P)** 4x
-  M6x15
- (1)** 24x
-  **(8)** 4x

<5>



<6>

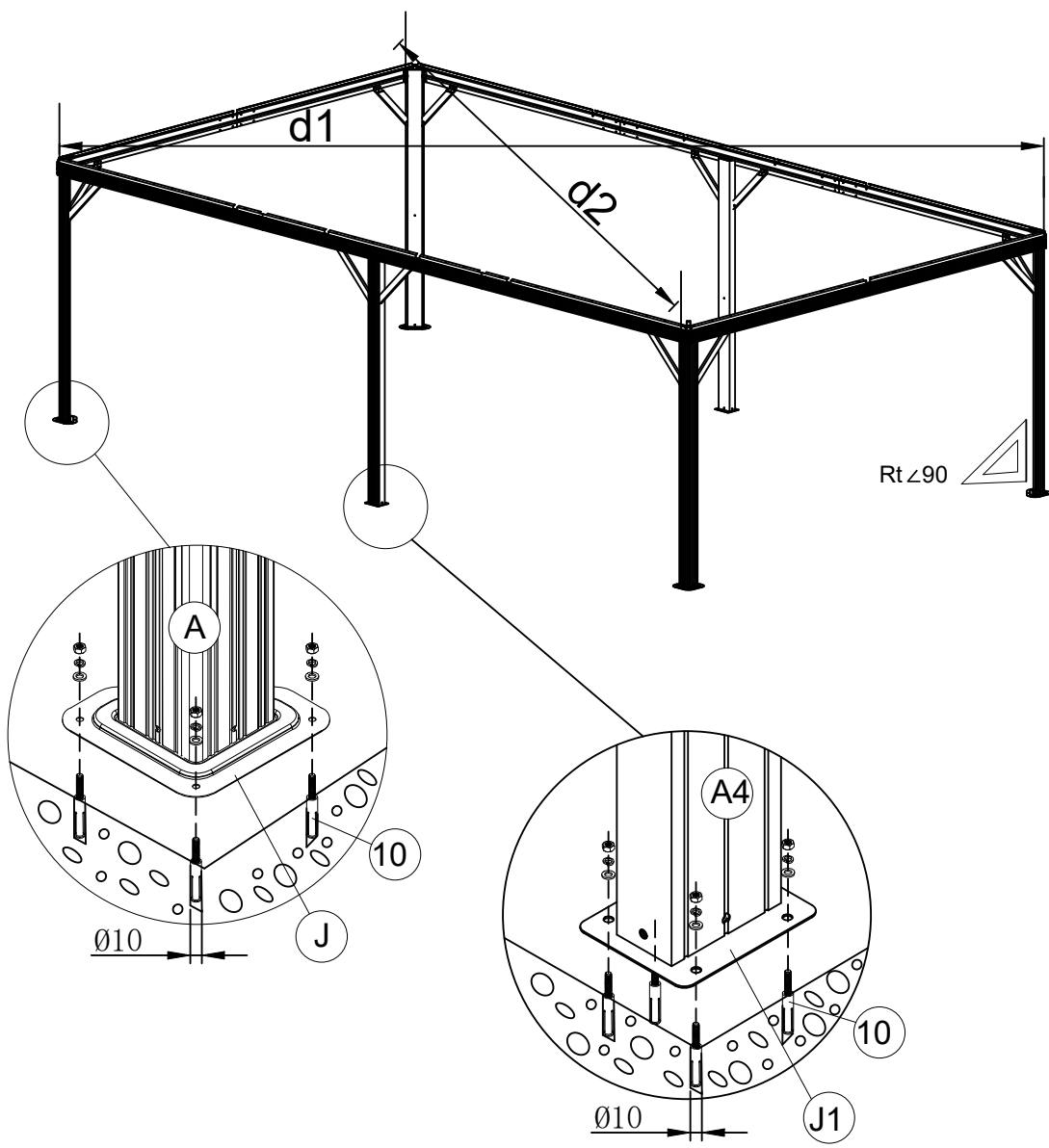


 M6x15

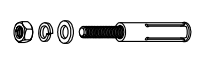
1 16x

17

<7>



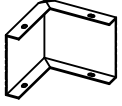
Rt $\angle 90$



10 20x

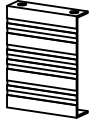
18

Tips: Please measure to make sure the length of d1 is equal to d2 before moving to next step to ensure a square frame and best results. Otherwise, please loosen the "H" or "H1" screws and adjust them. Keep the beam at right angles to the post, the post at right angles to the ground, and keep the beam horizontal.



(K)

4x



(K1)

6x



(U)

176x



(V)

6x



M6x15

(1)

18x

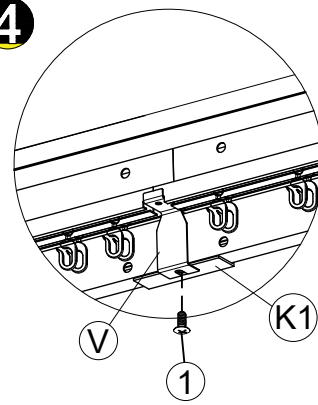
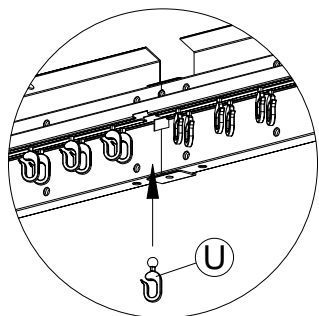
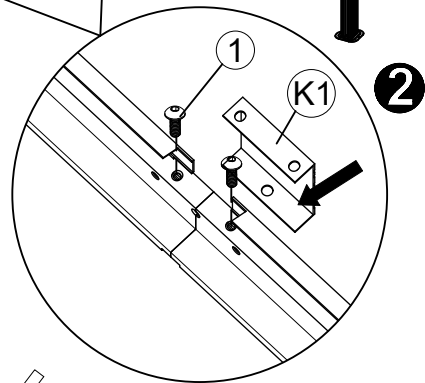
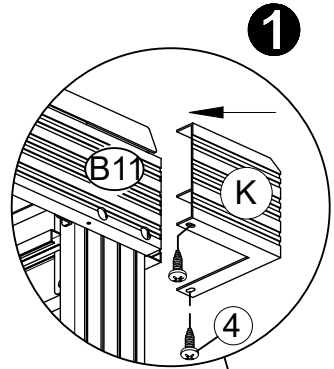
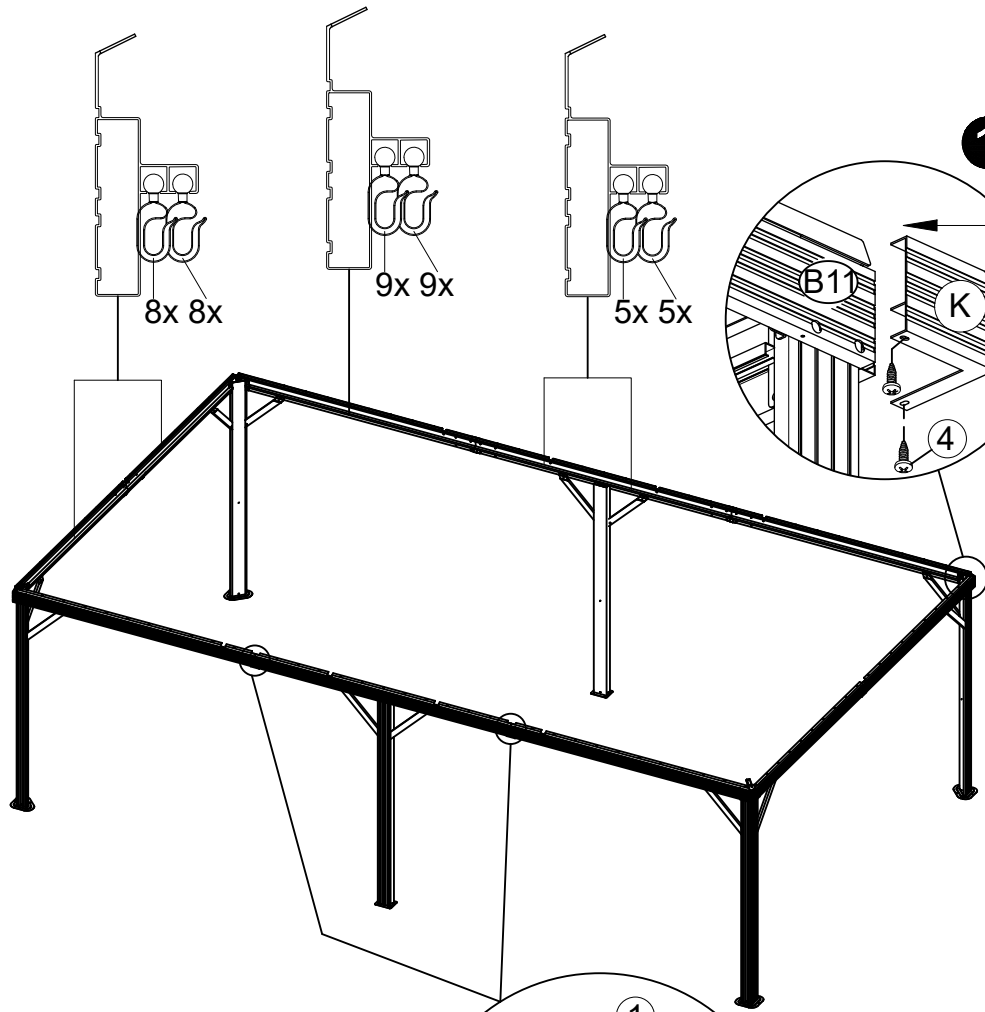


ST4.8x12

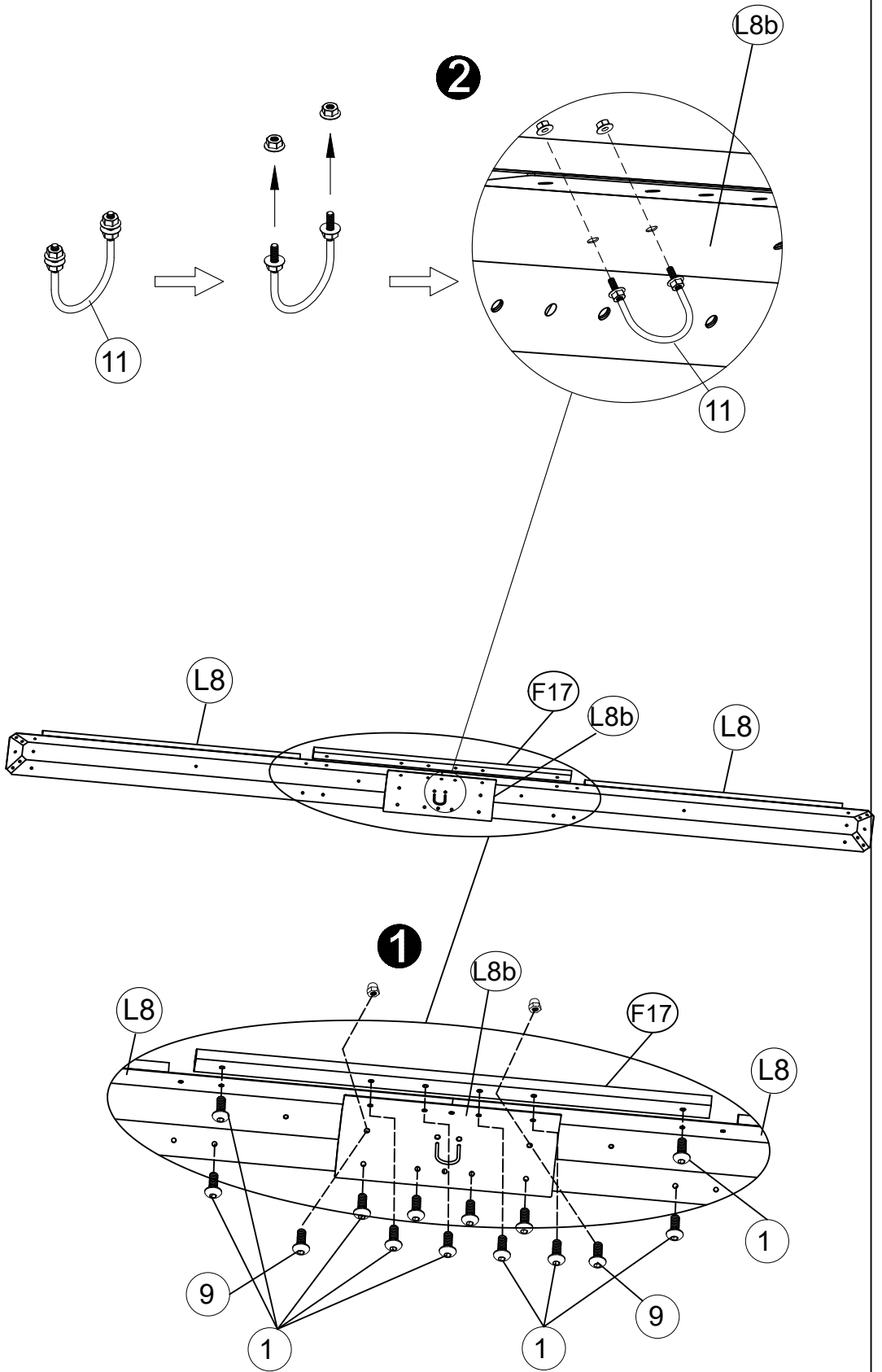
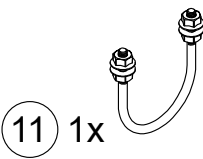
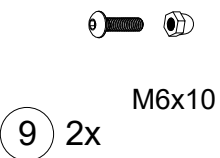
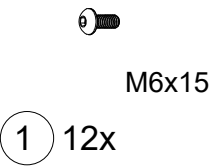
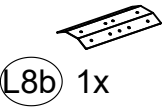
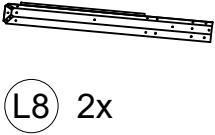
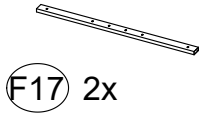
(4)

8x

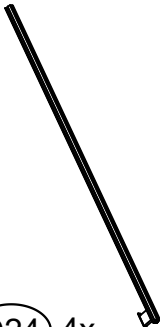
<8>




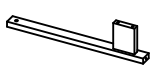
<9>





<10>

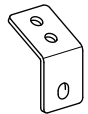
- 


D24 4x
- 

E5 4x
- 


D15 10x
- 

D25 2x
- 

D26 8x
- 

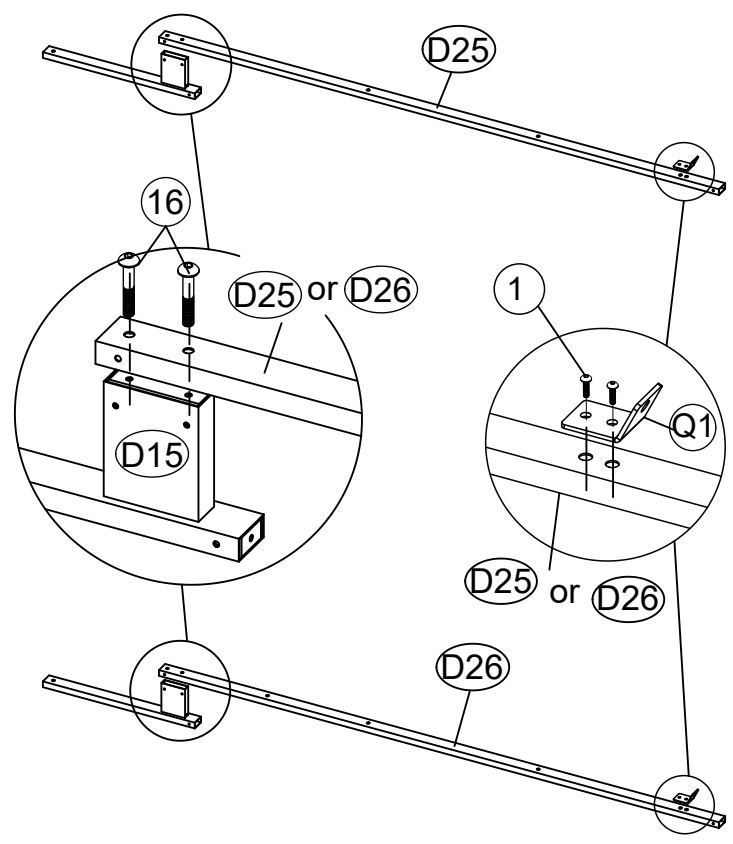
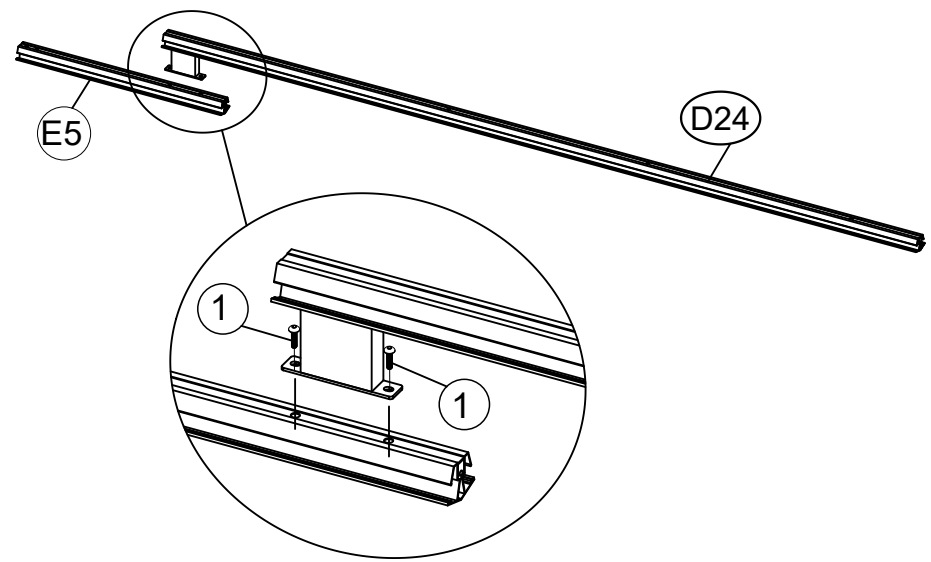
Q1 10x
- 

M6x15

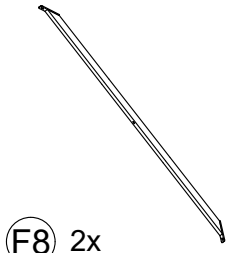
1 28x
- 

M6x35

16 20x
- 21



<11>

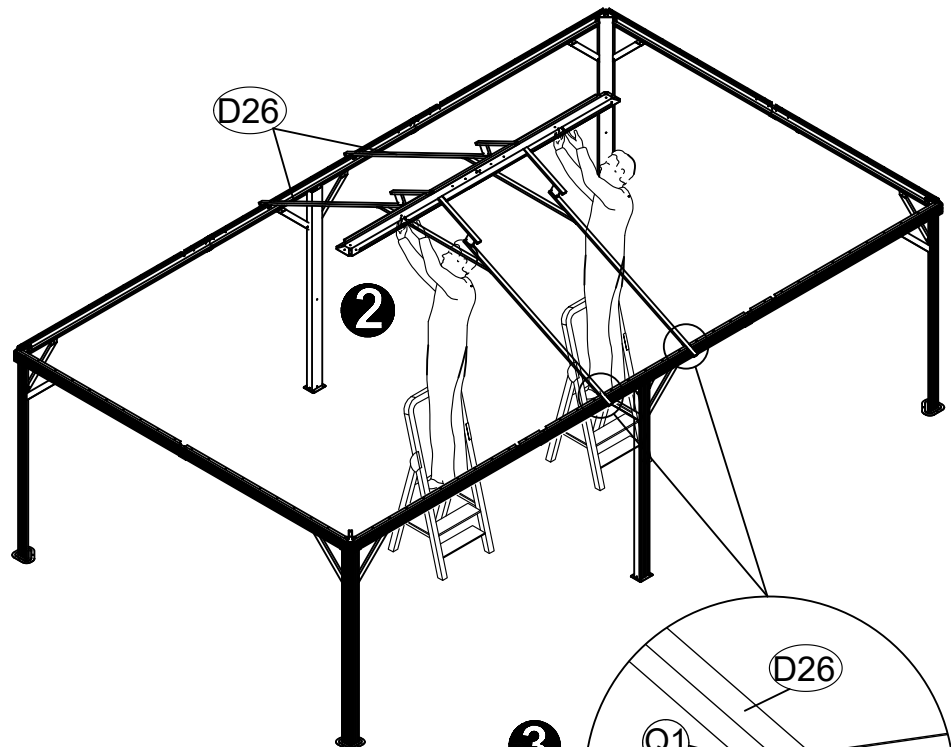
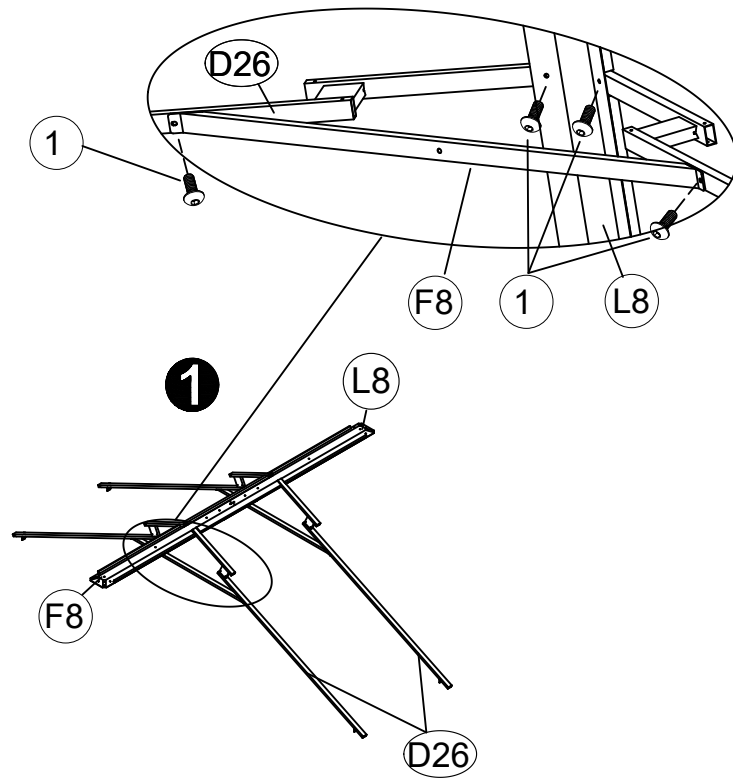


F8 2x

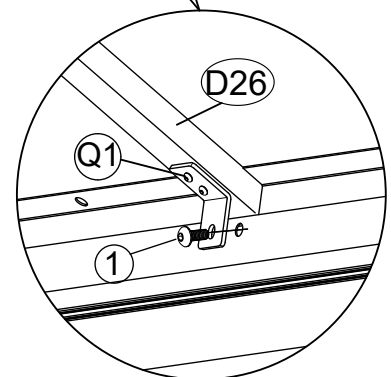


M6x15

1 12x



3



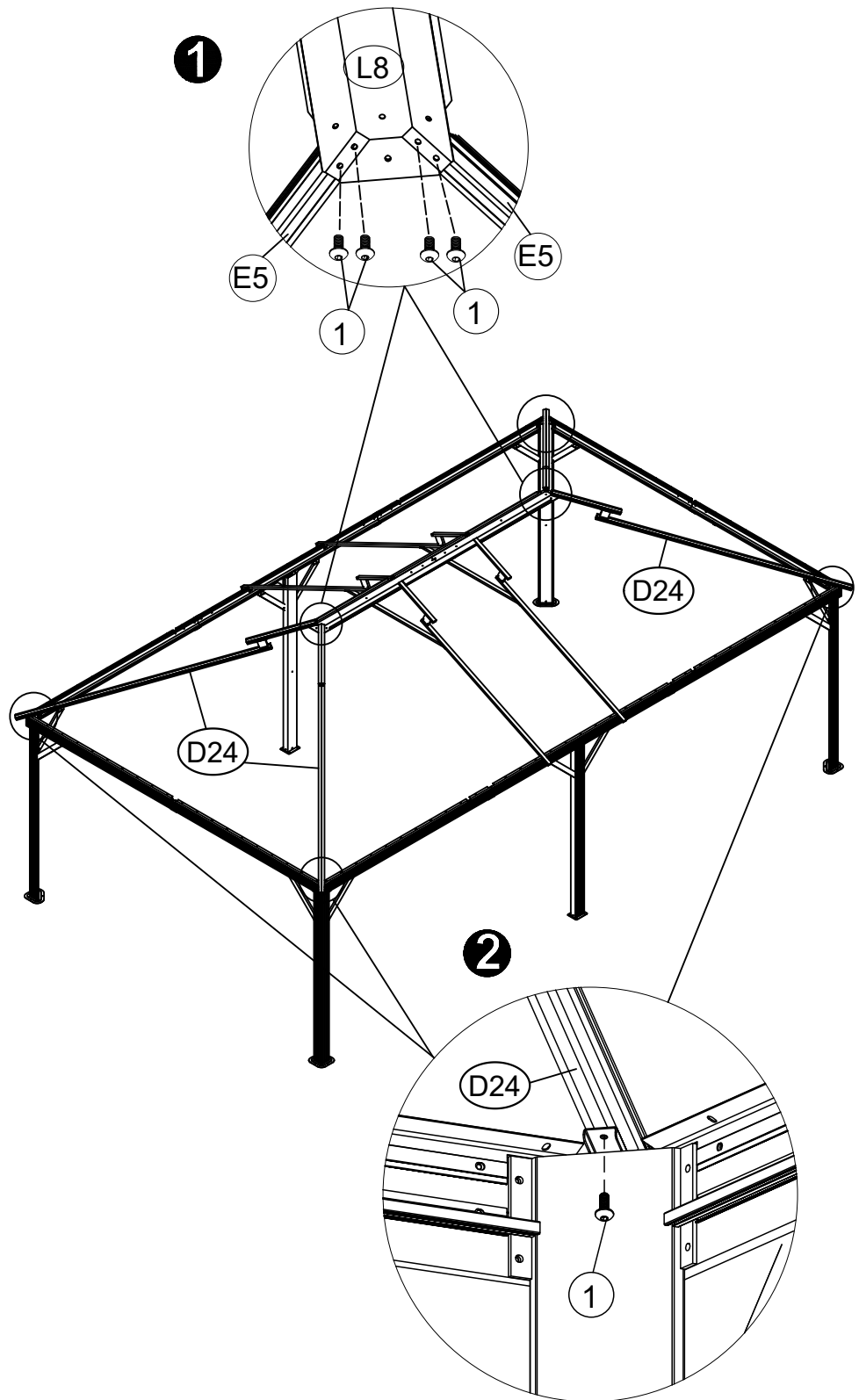
Note:
1. Let one person stand on the ladder to lift "L8" and hold and let others fasten the screws connecting both ends of "D26".
2. Please do not let go of holding "L8" until all the "D26" screws are installed.



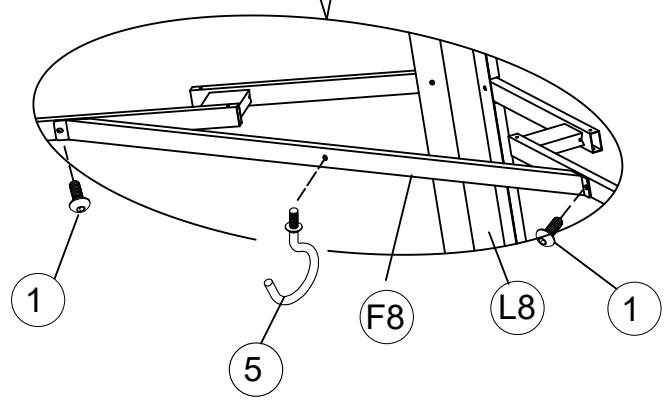
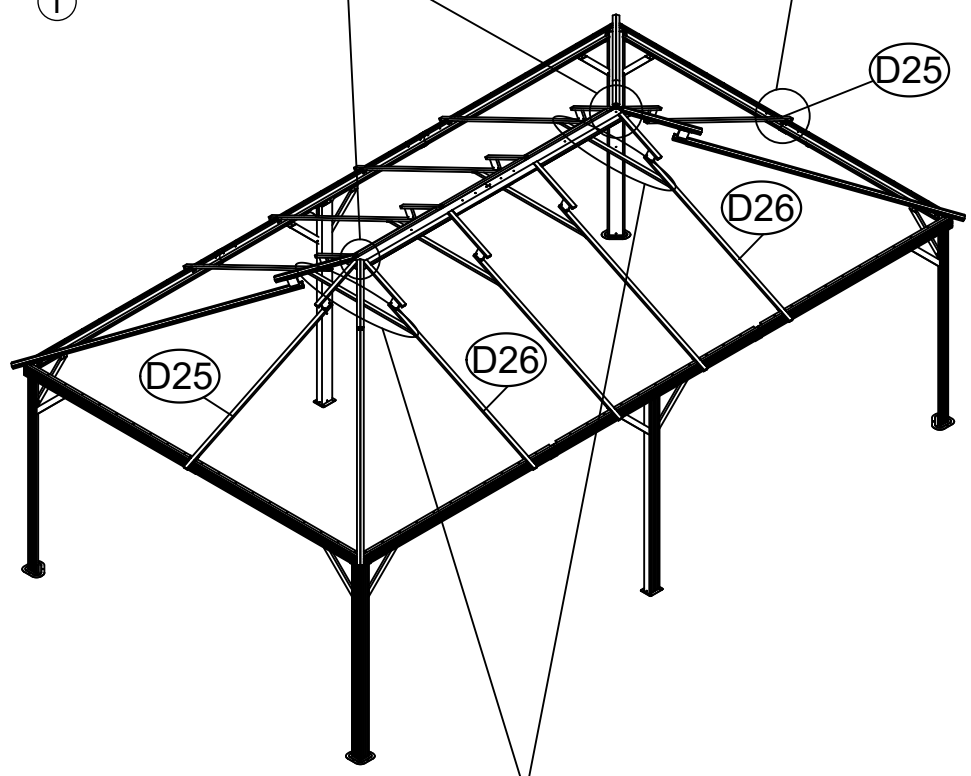
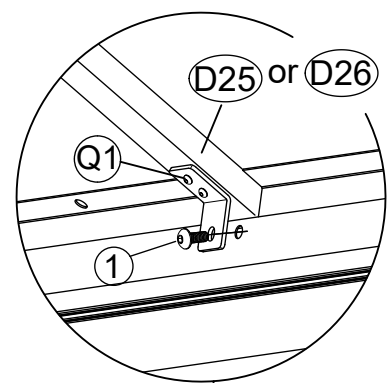
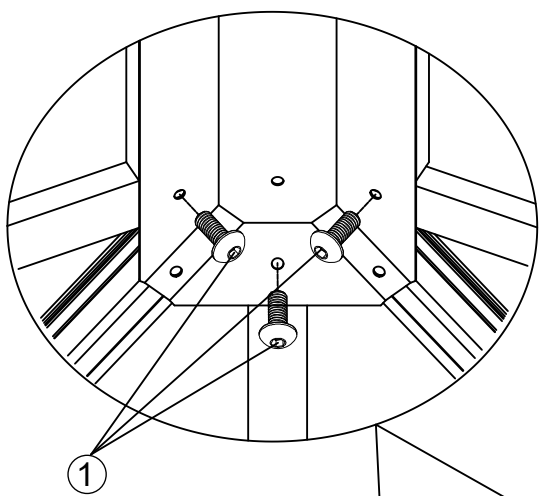
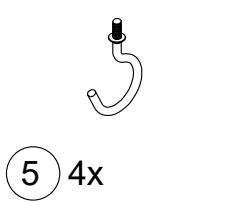
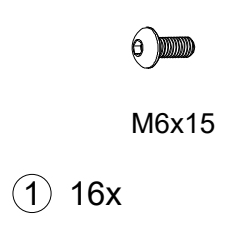
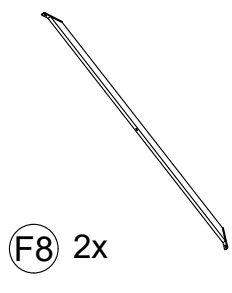
M6x15

① 12x

<12>

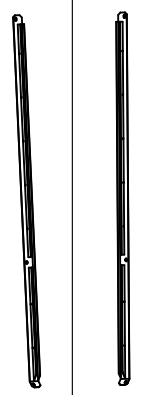


<13>



<14>

G1 2x



G15 2x

G16 2x



G17 2x



N 4x

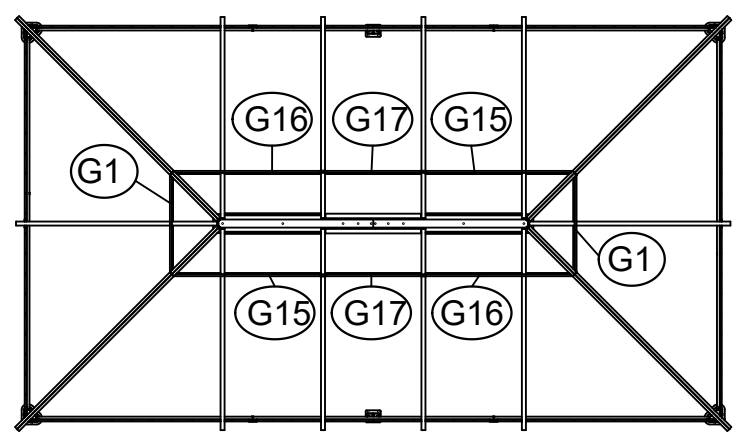
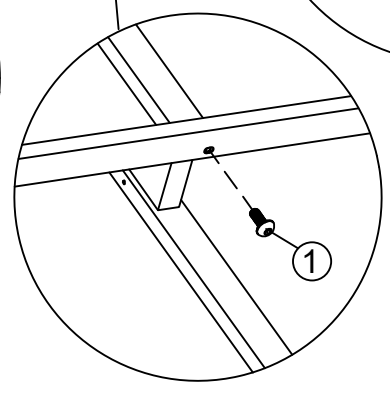
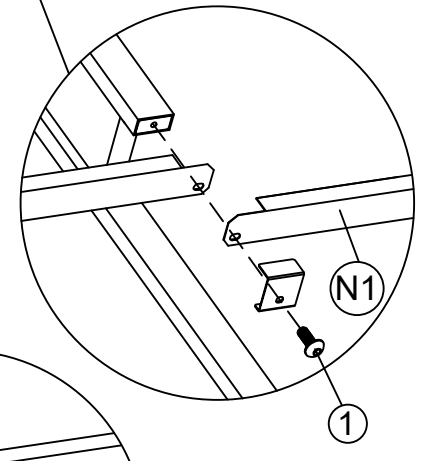
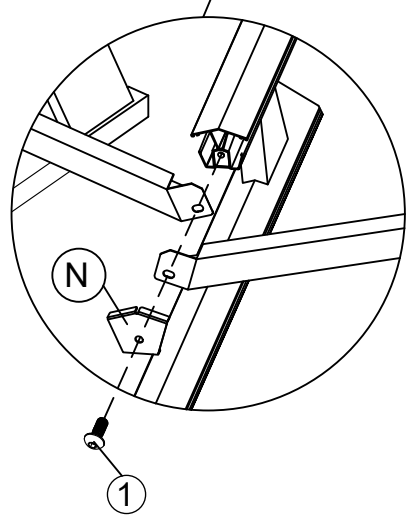
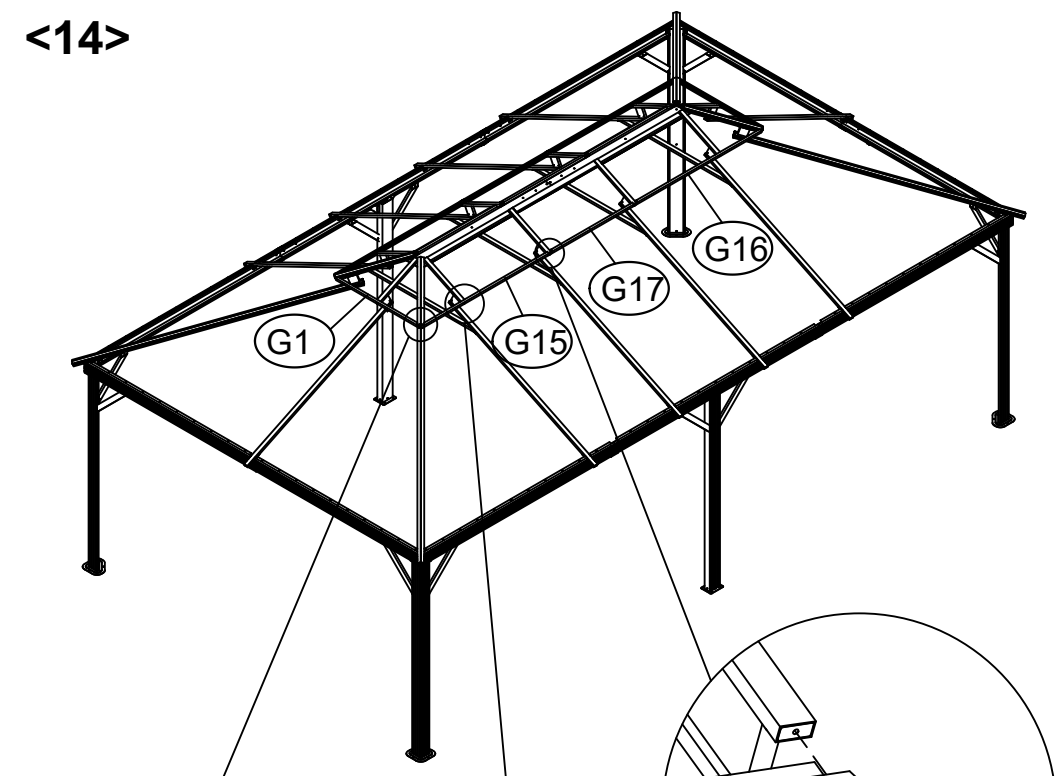


N1 4x


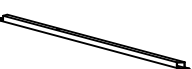


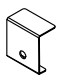



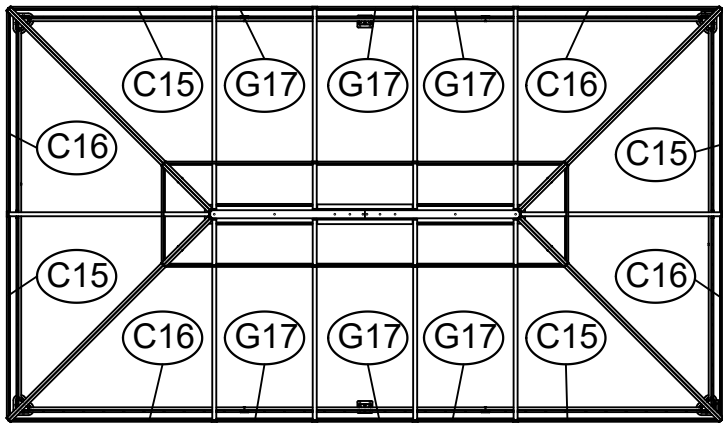
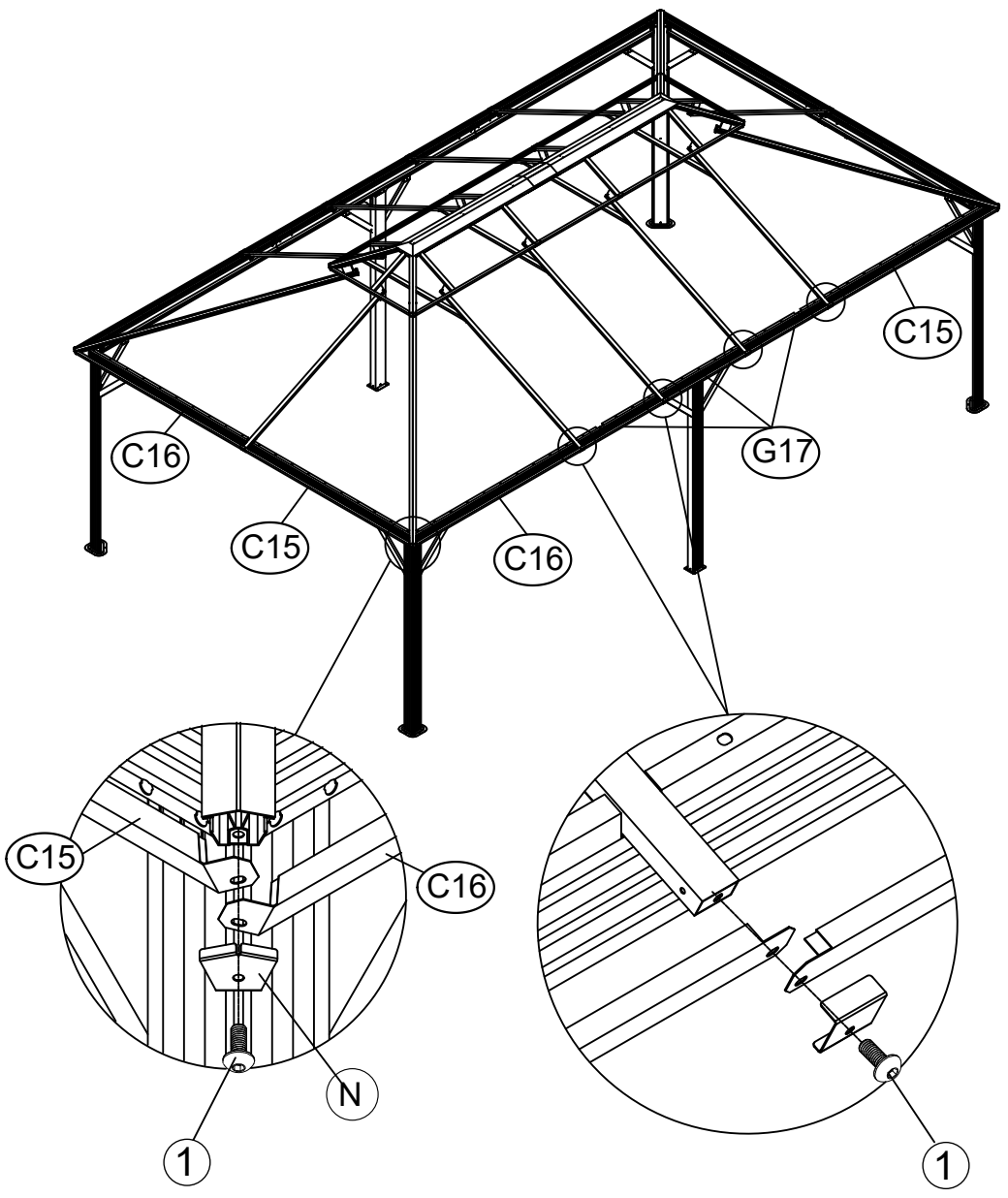
1 14x

M6x15

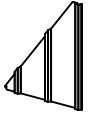
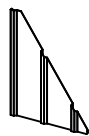
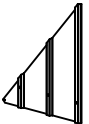



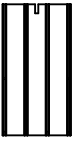
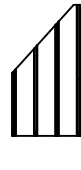

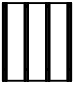


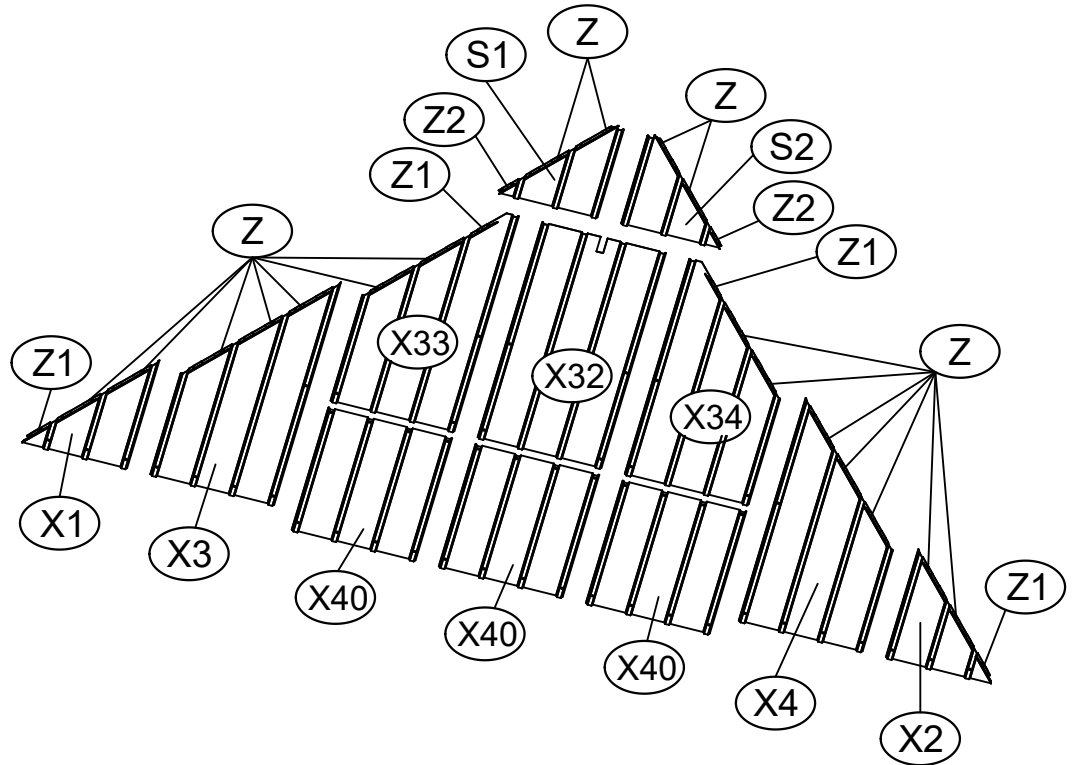
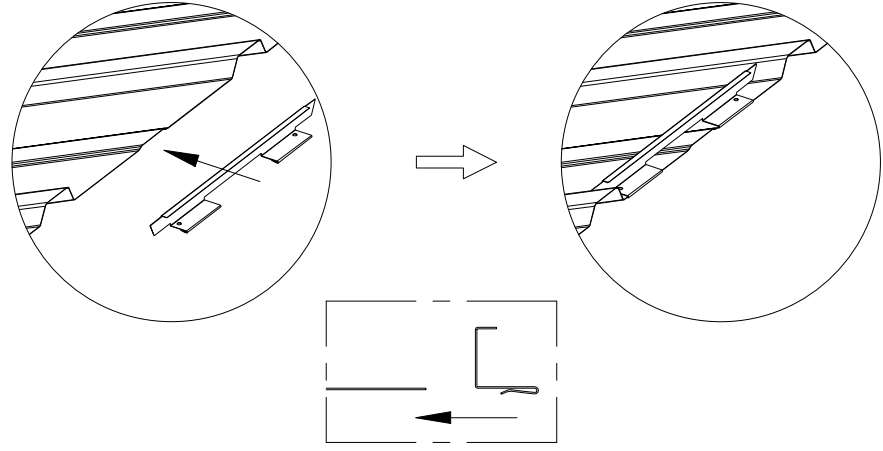
<15>

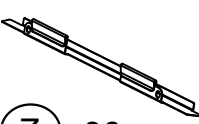
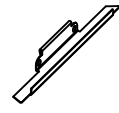

- 
C15 4x
- 
C16 4x
- 
G17 6x
- 
N 4x
- 
N1 10x
- 
1 14x M6x15



<16>

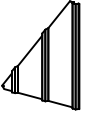

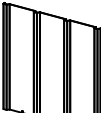
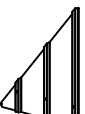



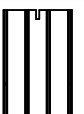
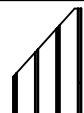

- 
(S1) 2x
- 
(S2) 2x
- 
(X1) 2x
- 
(X2) 2x
- 
(X3) 2x
- 
(X4) 2x
- 
(X32) 2x
- 
(X33) 2x
- 
(X34) 2x
- 
(X40) 6x

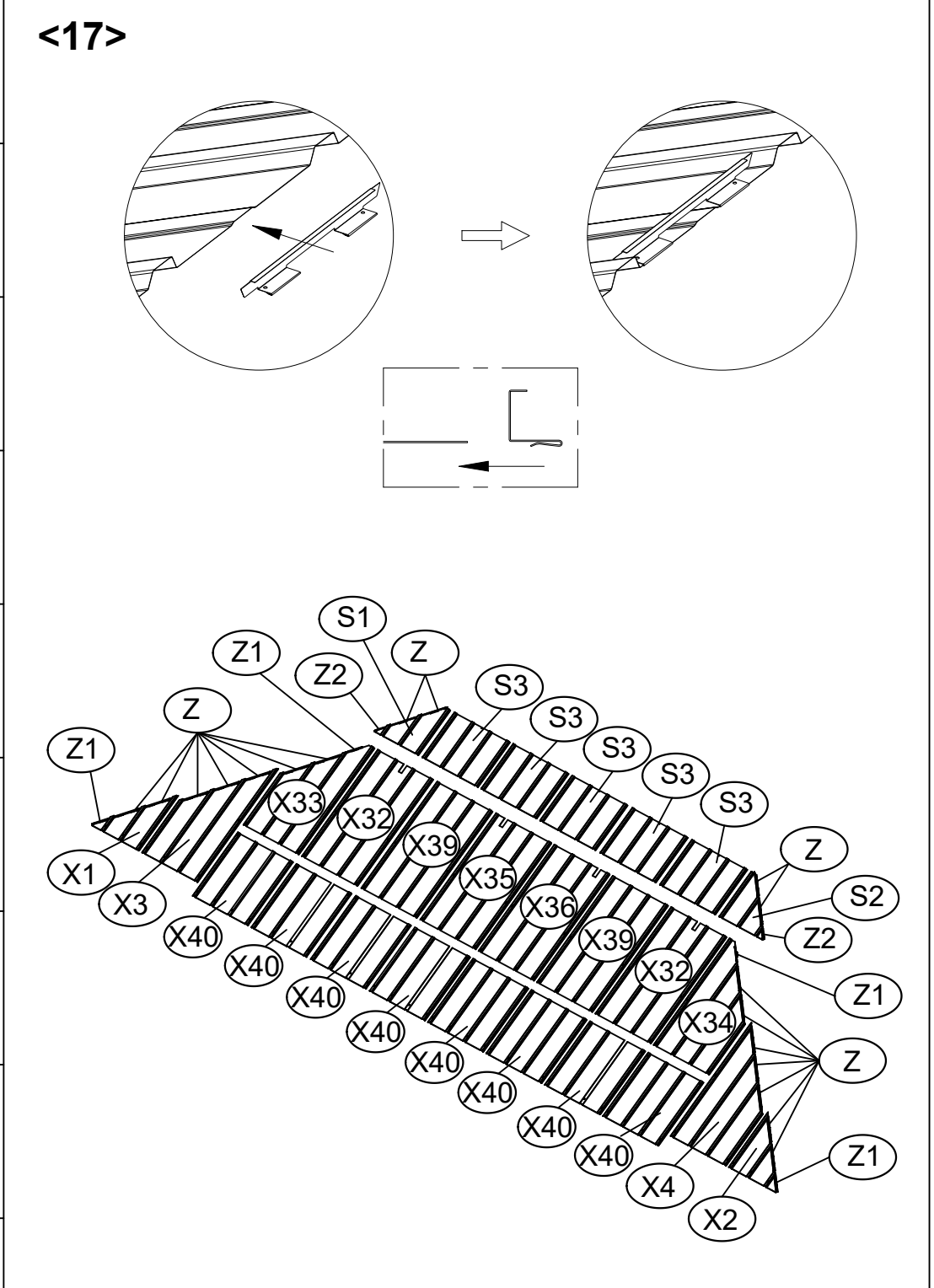


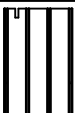
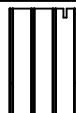
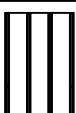

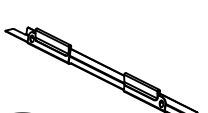
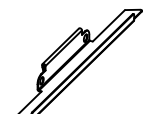
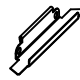
- | | | |
|--|--|--|
| 
(Z) 36x | 
(Z1) 8x | 
(Z2) 4x |
|--|--|--|

27

<17>

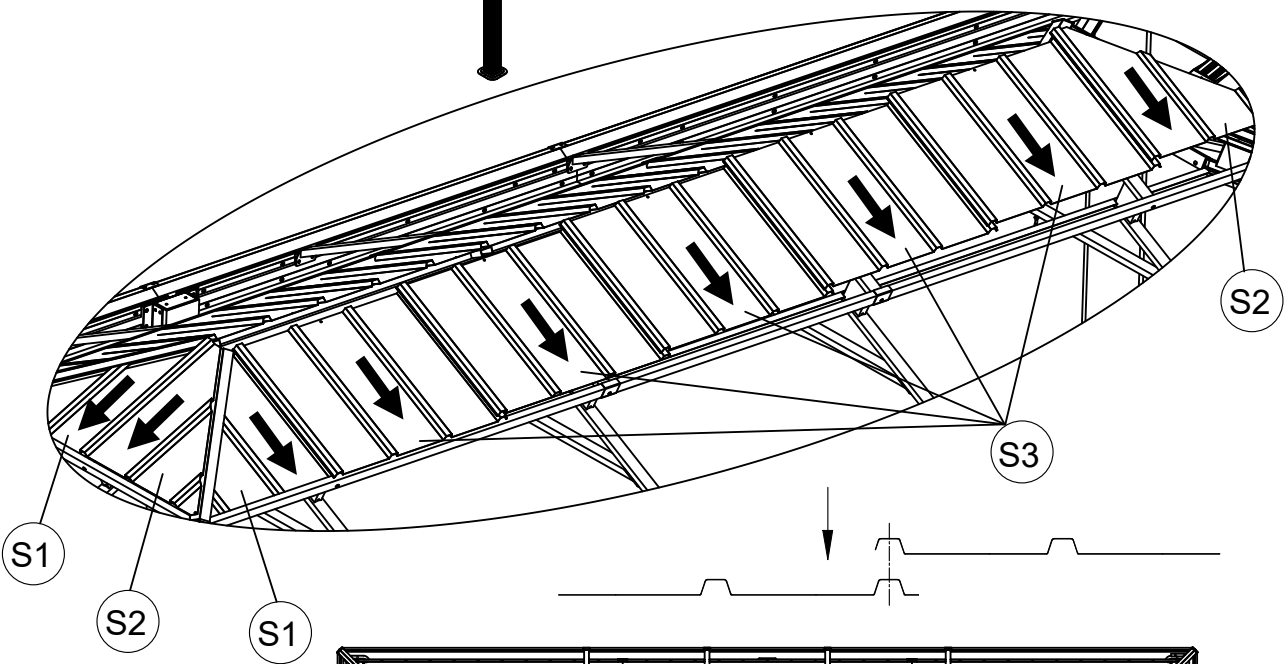
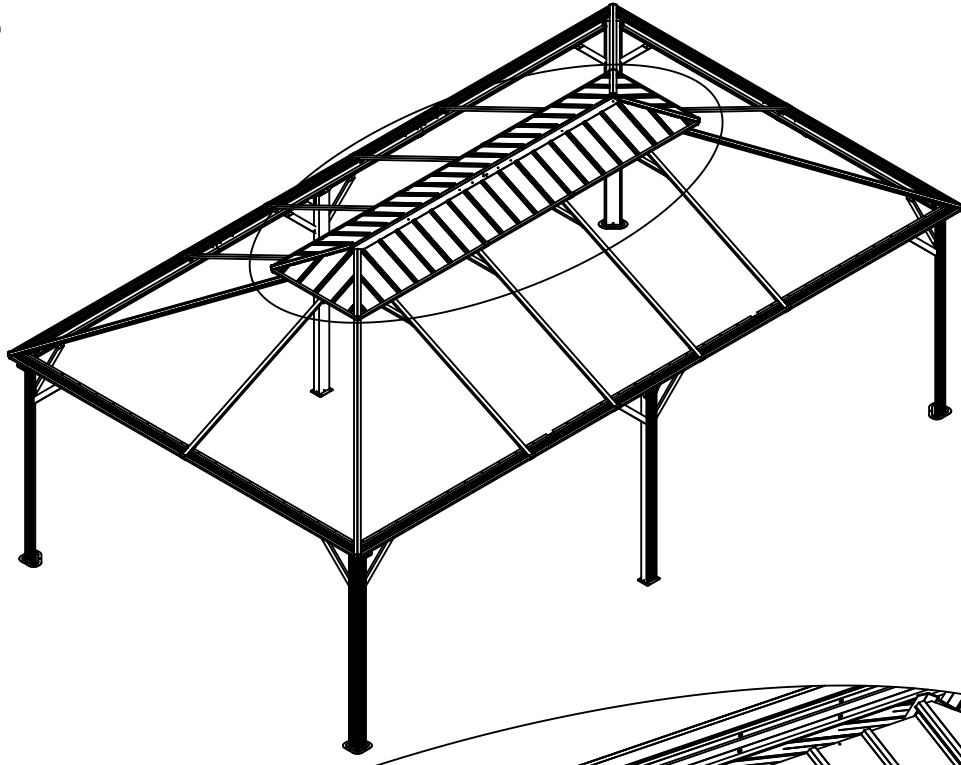
-  (S1) 2x
-  (S2) 2x
-  (S3) 10x
-  (X1) 2x
-  (X2) 2x
-  (X3) 2x
-  (X4) 2x
-  (X32) 4x
-  (X33) 2x
-  (X34) 2x



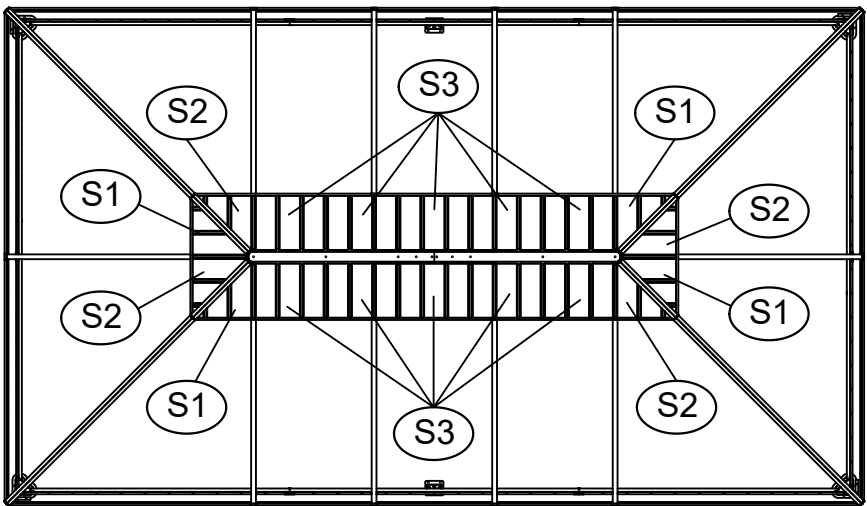
 (X35) 2x	 (X36) 2x	 (X39) 4x	 (X40) 16x
 (Z) 36x	 (Z1) 8x	 (Z2) 4x	

28

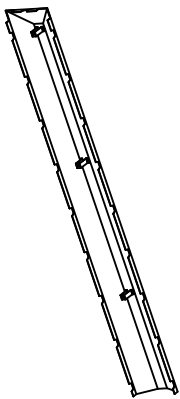
<18>



When installing the Roof plates (S2) onto short side, pls detach the right end of Roof Rib(G1) first. And then install the right end of Roof Rib (G1) again after S2 is installed.



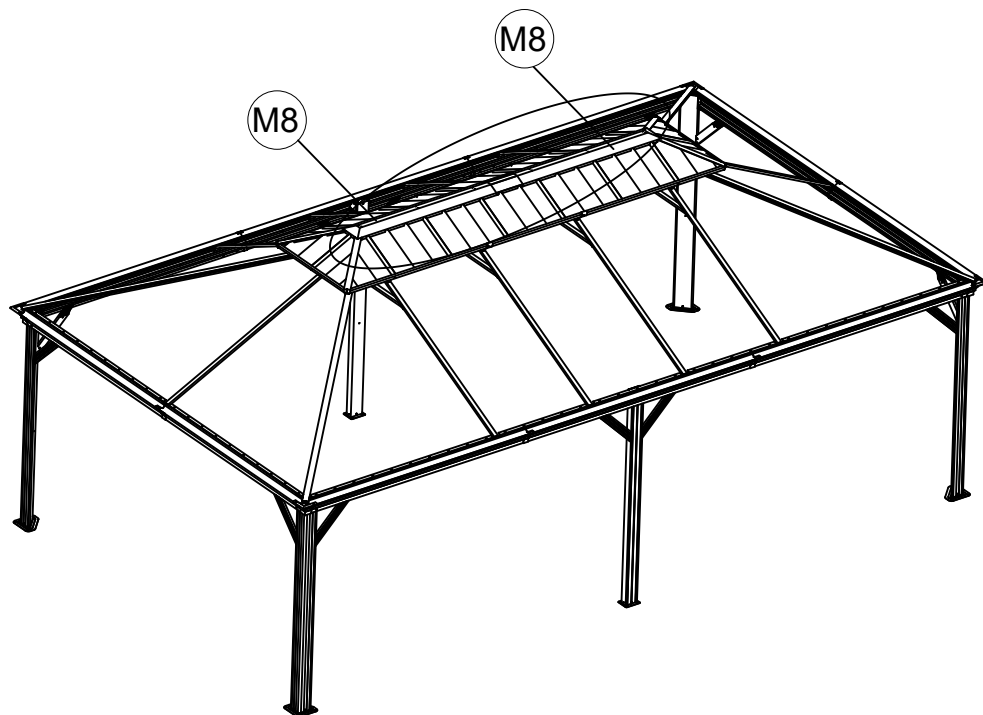
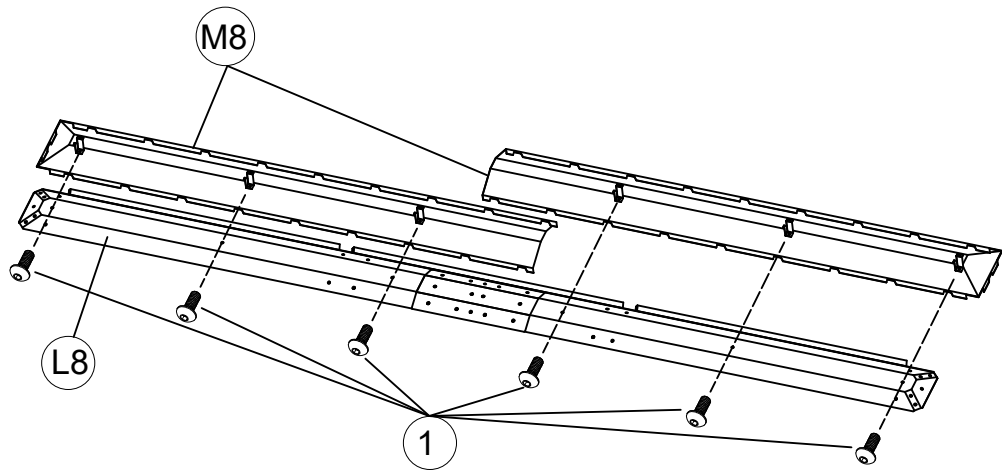
<19>



M8 2x



M6x15
1 6x



<20>



F14 2x



F15 4x



F16 4x



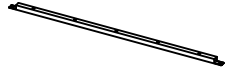
F18 4x



F19 4x



F22 4x

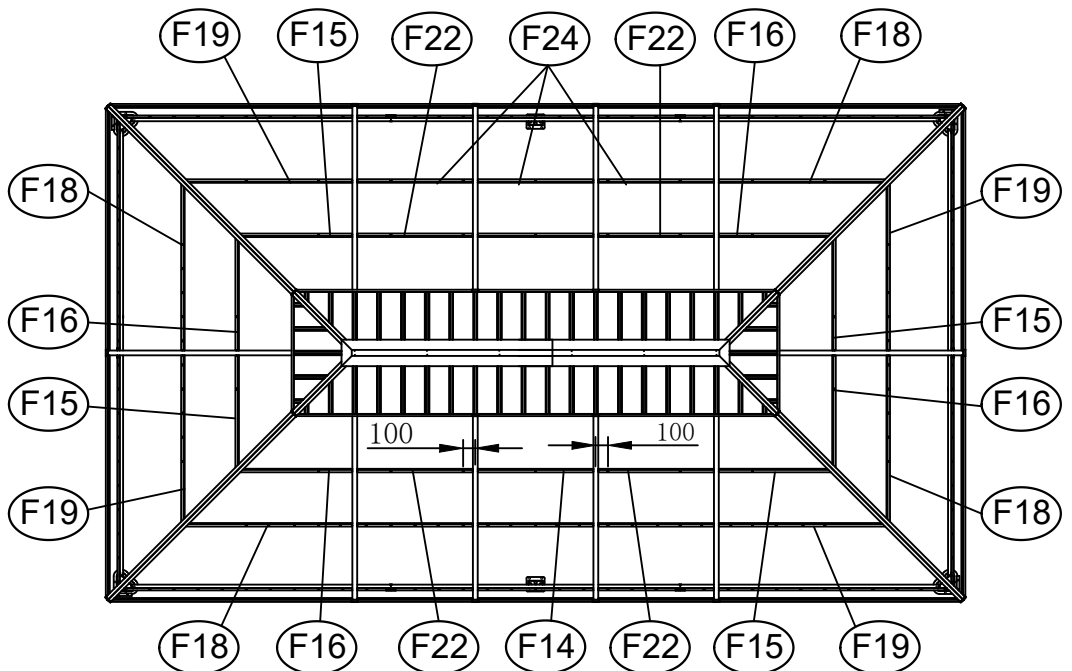
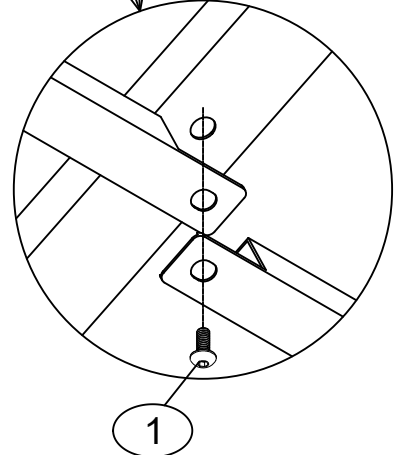
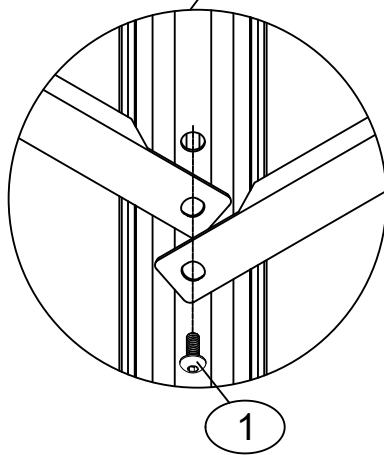
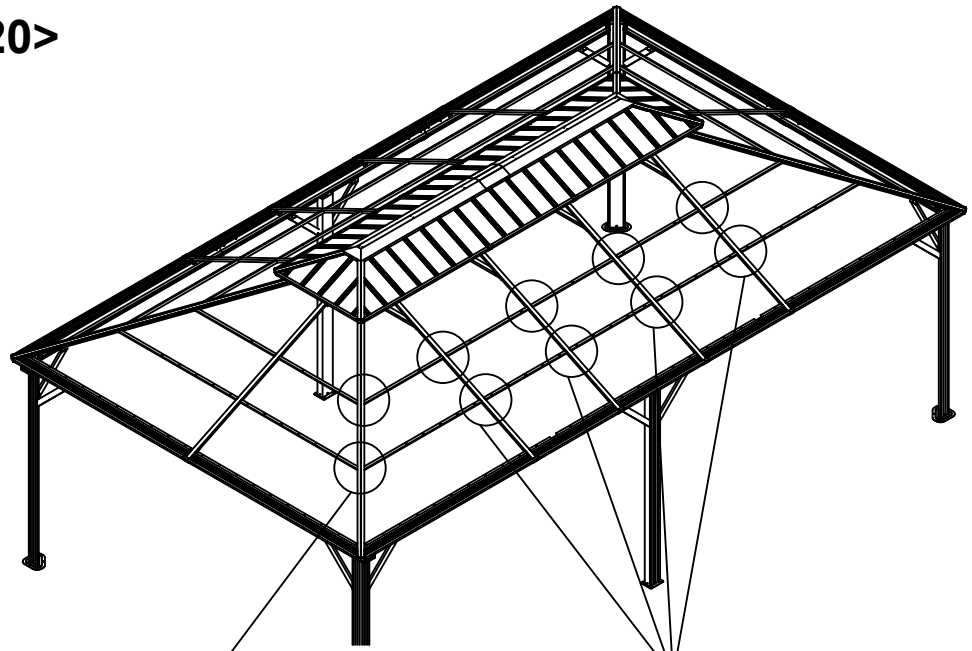


F24 6x



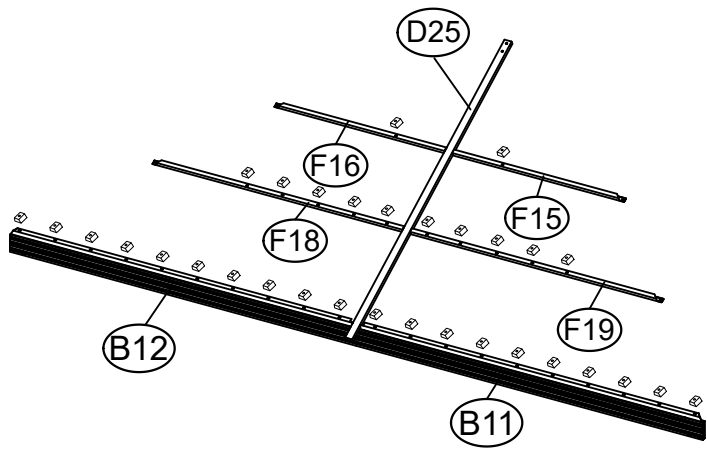
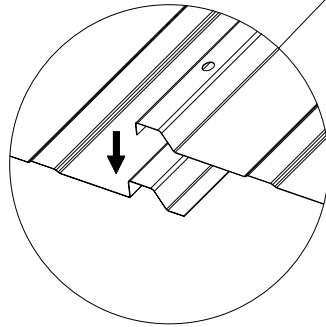
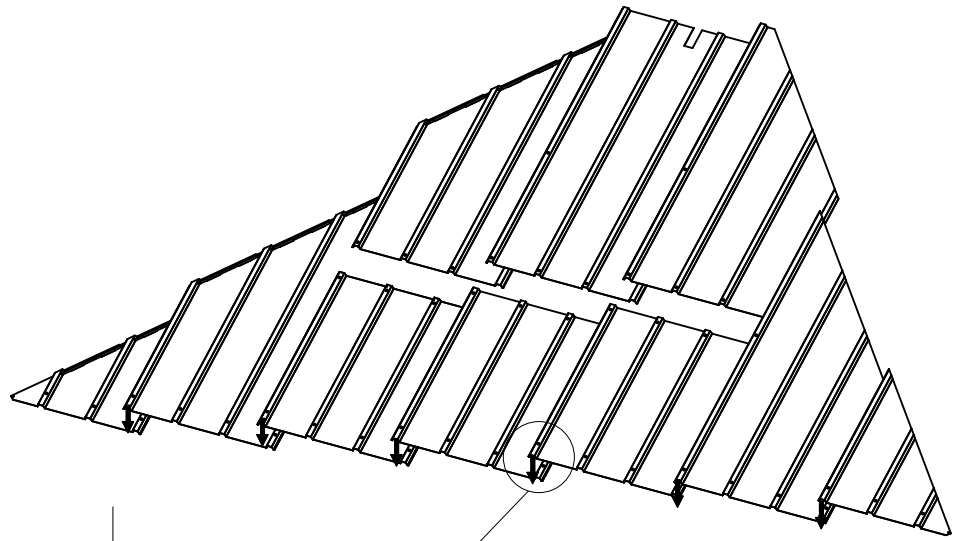
M6x15

1 28x

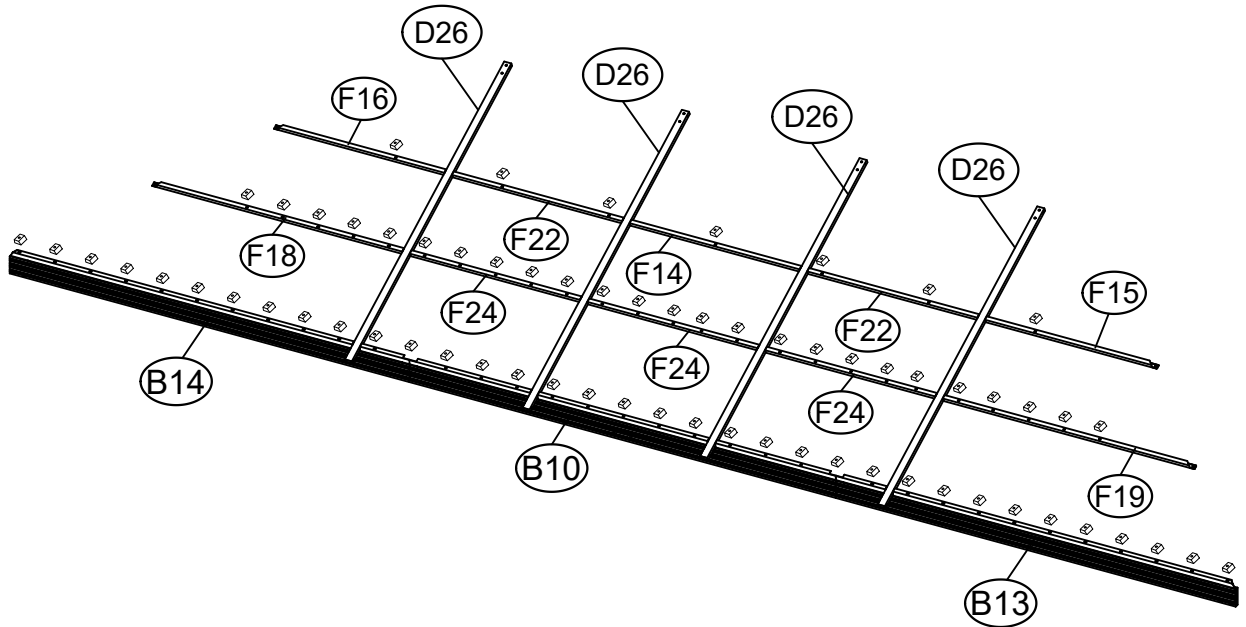
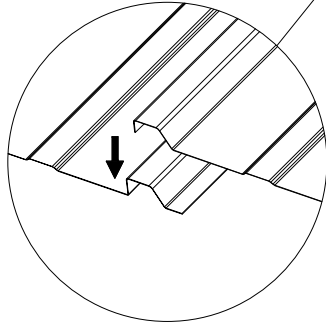
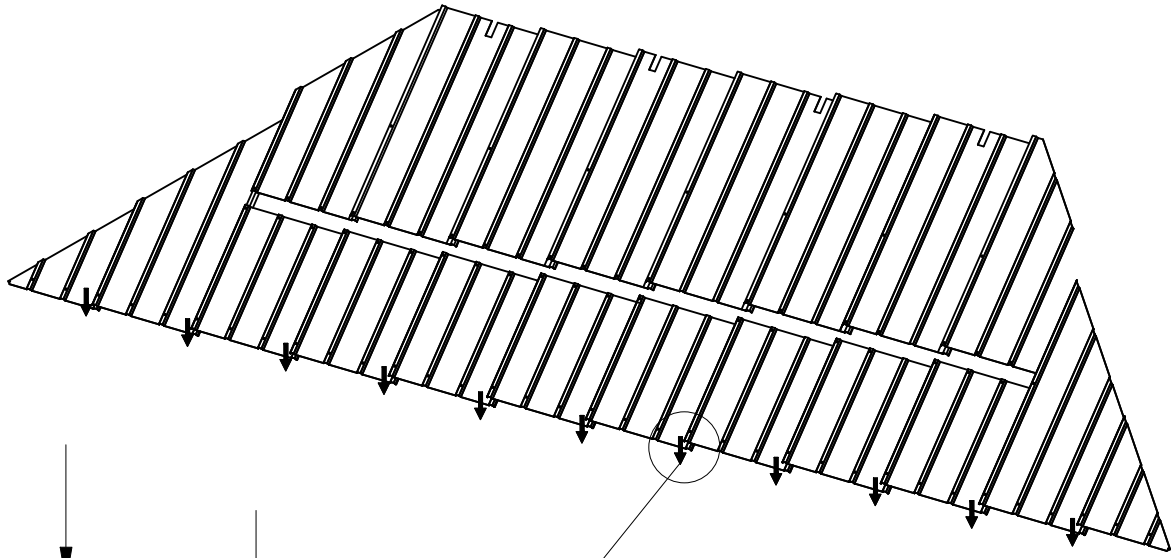


31

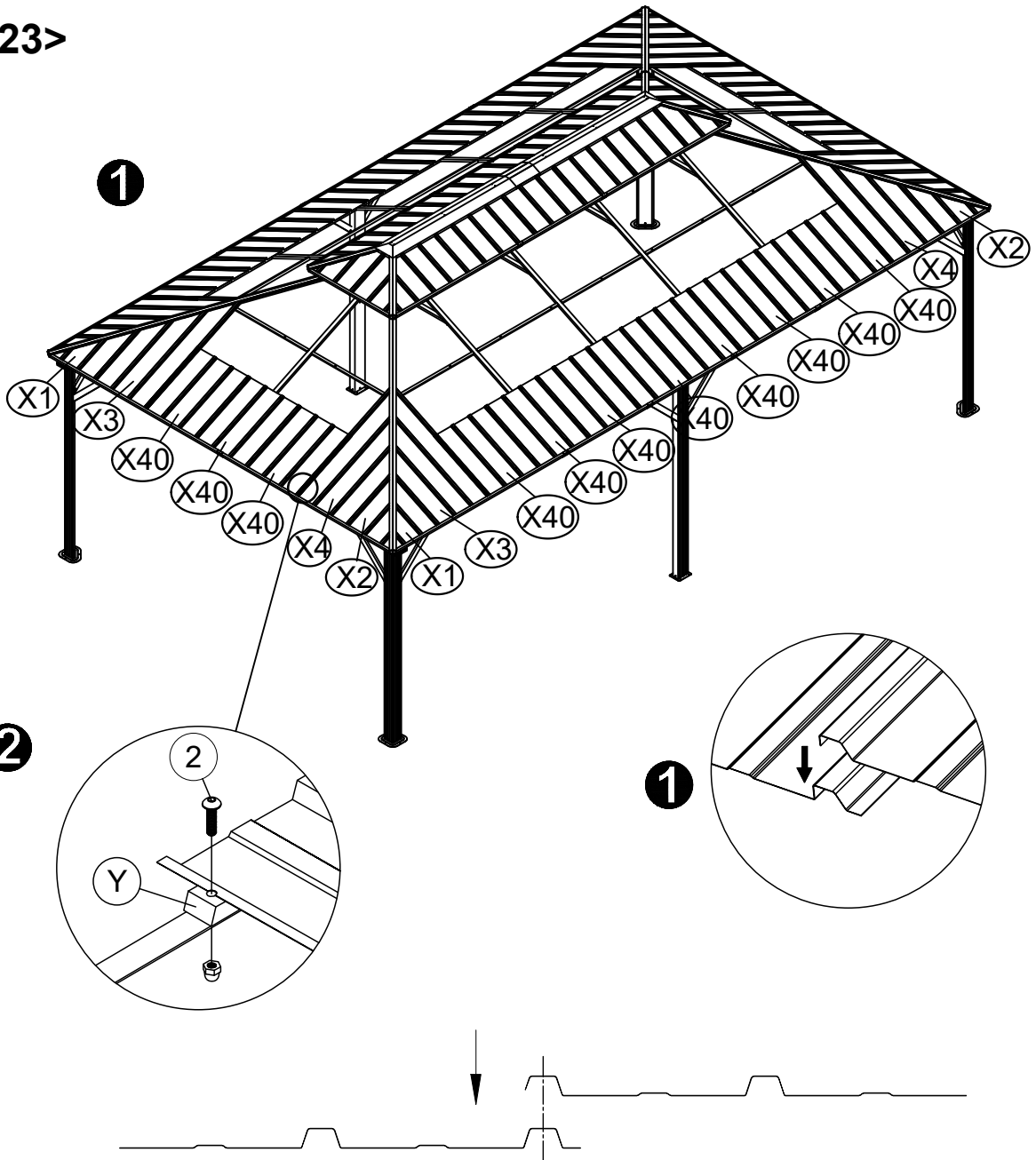
<21>



<22>



<23>



Note:

First, arrange the cover plates in sequence according to the codes shown in the diagram. Then, assemble the iron plates with the crossbeam using #2 screws and plastic block #Y (refer to steps 22 and 23).

When installing the roof top plates, if the roof plates are slightly uneven, pls press the screws from the top of the plates until the bottom screw thread is exposed by 3 to 4mm, and then screw on the nut.



Y 110x



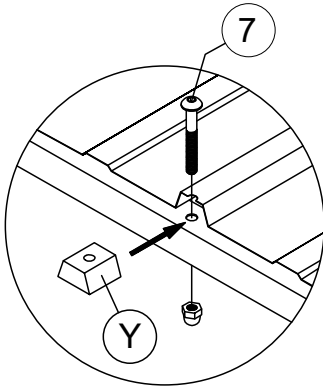
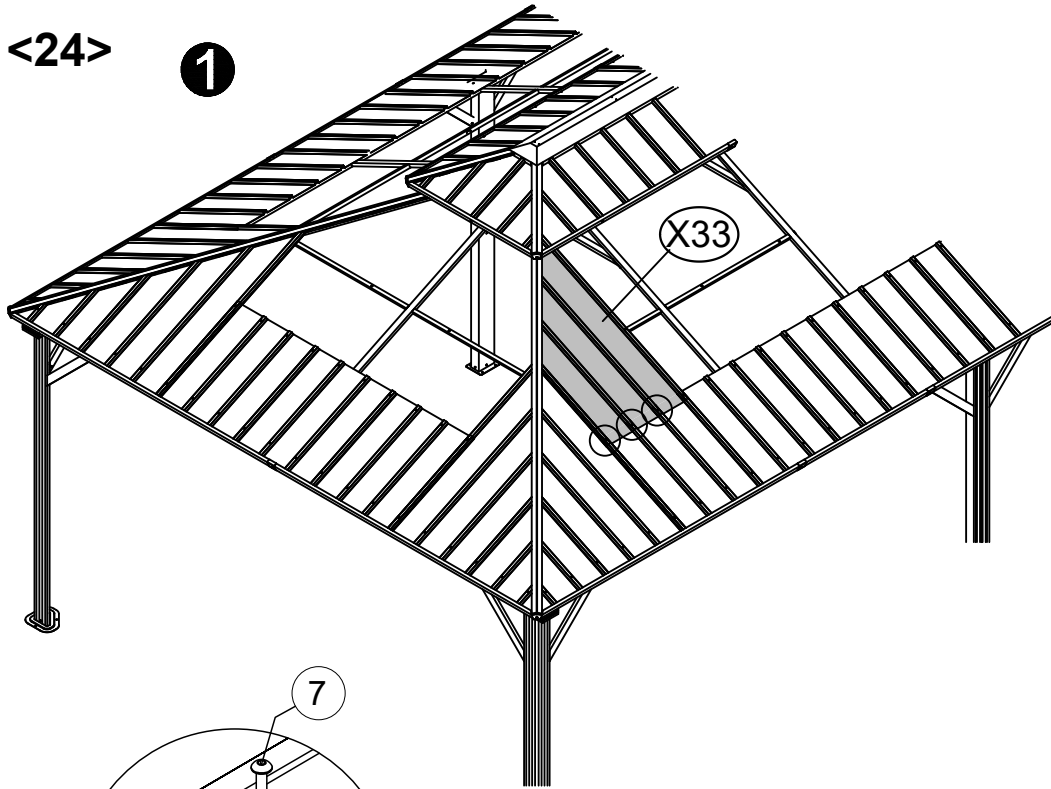
M6x23

2 110x

34

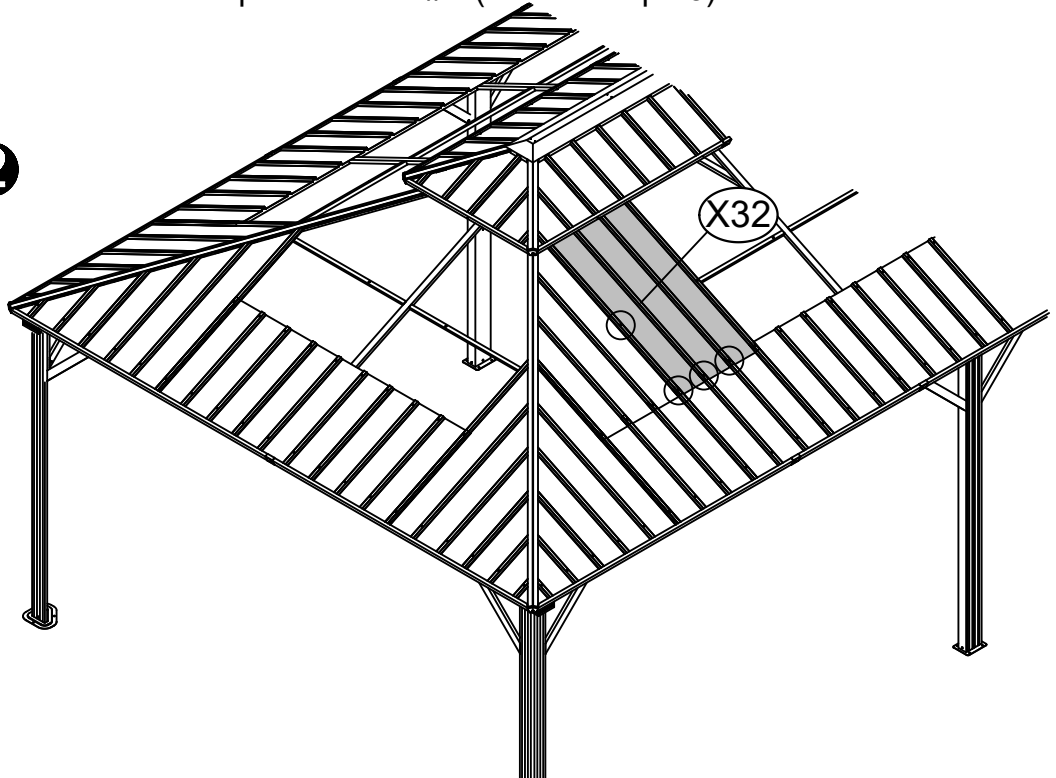
<24>

1



As shown in Figure 1, place the cover plate #X33 at the indicated position, and then assemble #X33 with the small beam F18 using three #7 screws and plastic block #Y. Next, as shown in Figure 2, place the cover plate #X32 at the indicated position, and then assemble #X32 with the small beam using three #7 screws and plastic block #Y (refer to step 23).

2



Y 7x

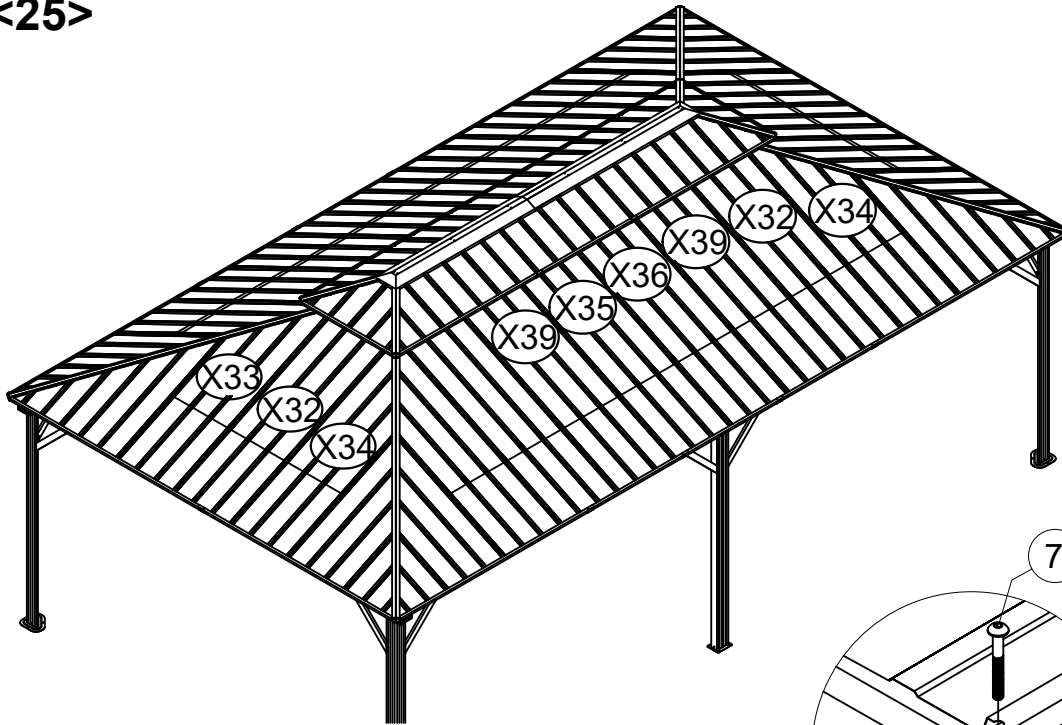


M6x47

7 7x

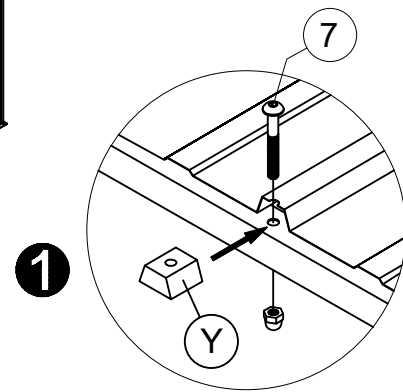
35

<25>

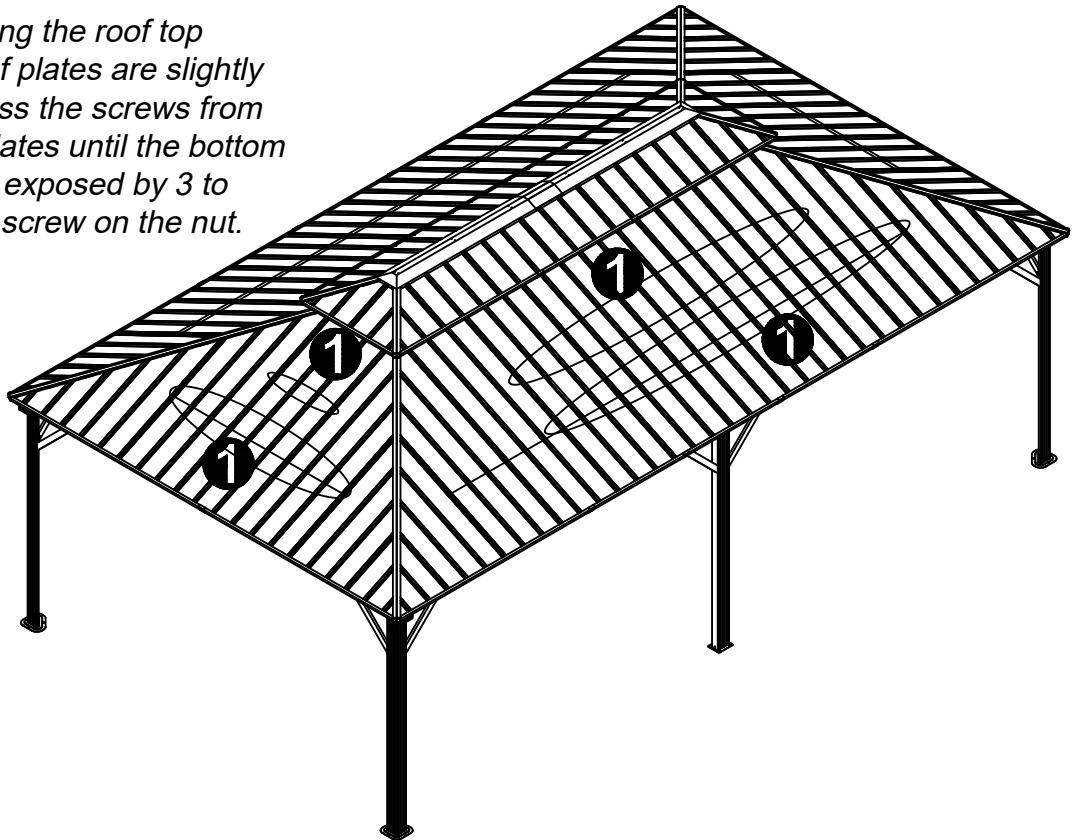


Note:

Place the cover plate at the position shown in the diagram, and then assemble it with the small beam using 81pcs #7 screws and plastic block Y (refer to step 25).



When installing the roof top plates, if the roof plates are slightly uneven, pls press the screws from the top of the plates until the bottom screw thread is exposed by 3 to 4mm, and then screw on the nut.



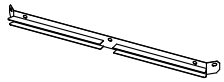
Y 81x



M6x47

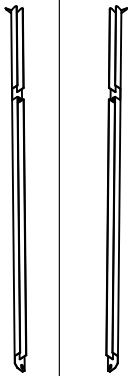
7 81x

36



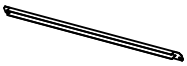
<26>

I1 2x



I15 2x

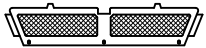
I16 2x



I17 2x



N 4x



V1 2x



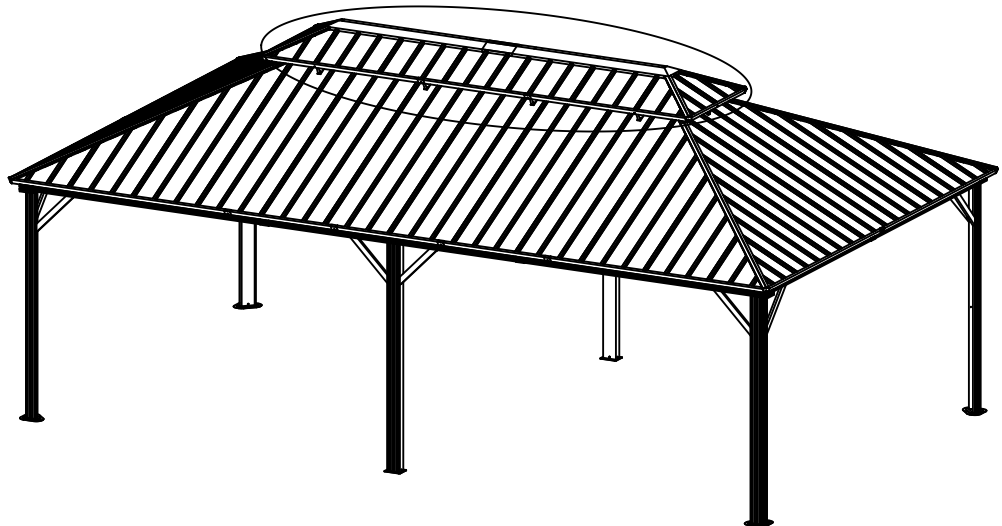
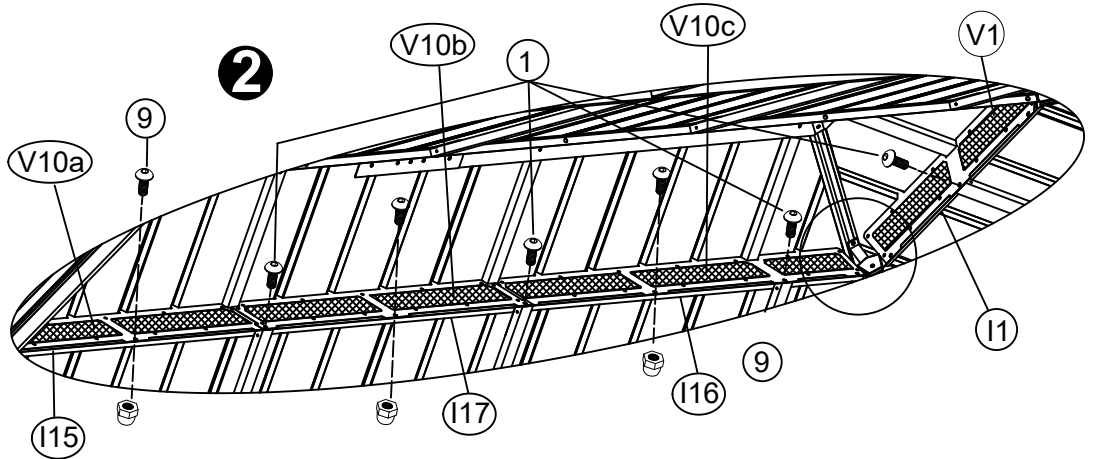
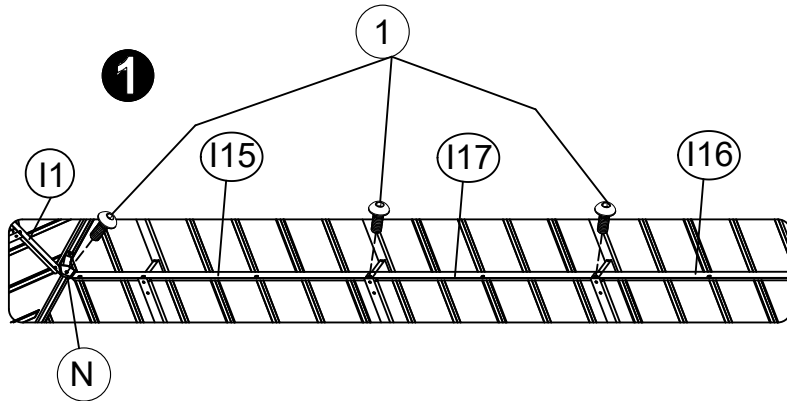
V10a 2x



V10b 2x



V10c 2x



37



1 14x

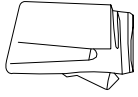
M6x15



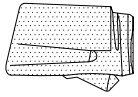
9 14x

M6x10

<27>



T 4x + 2x



T1 4x + 2x

