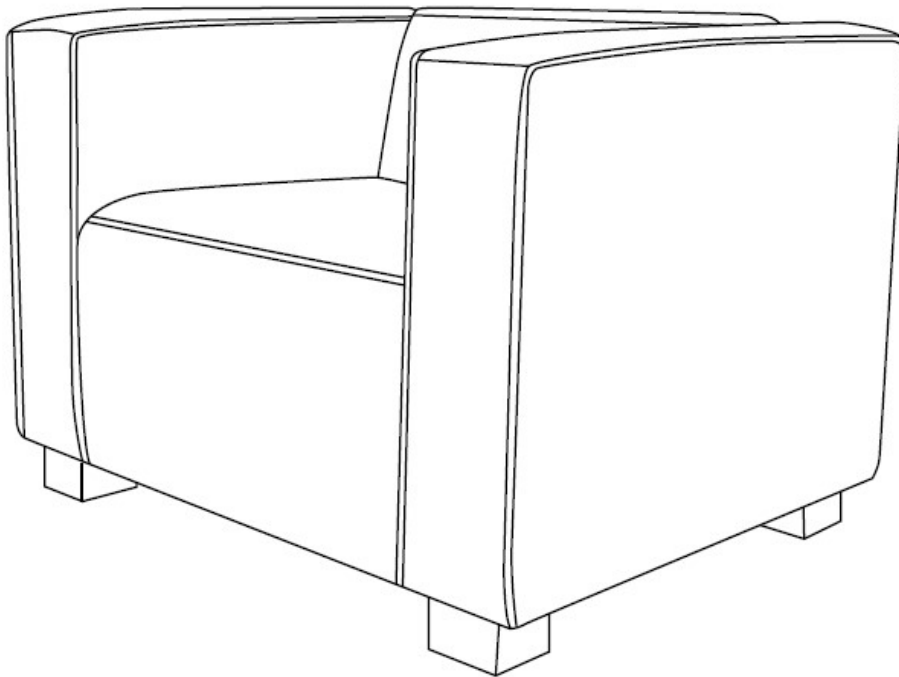


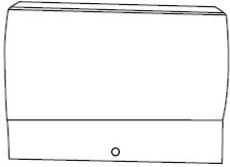
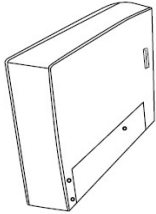



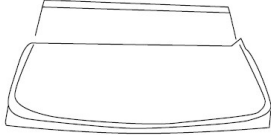
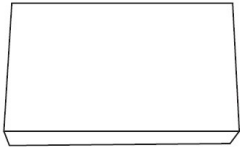

Assembly Instructions

Caution: You must read this before you proceed

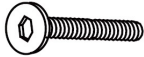


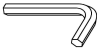
CHAIR



Part List

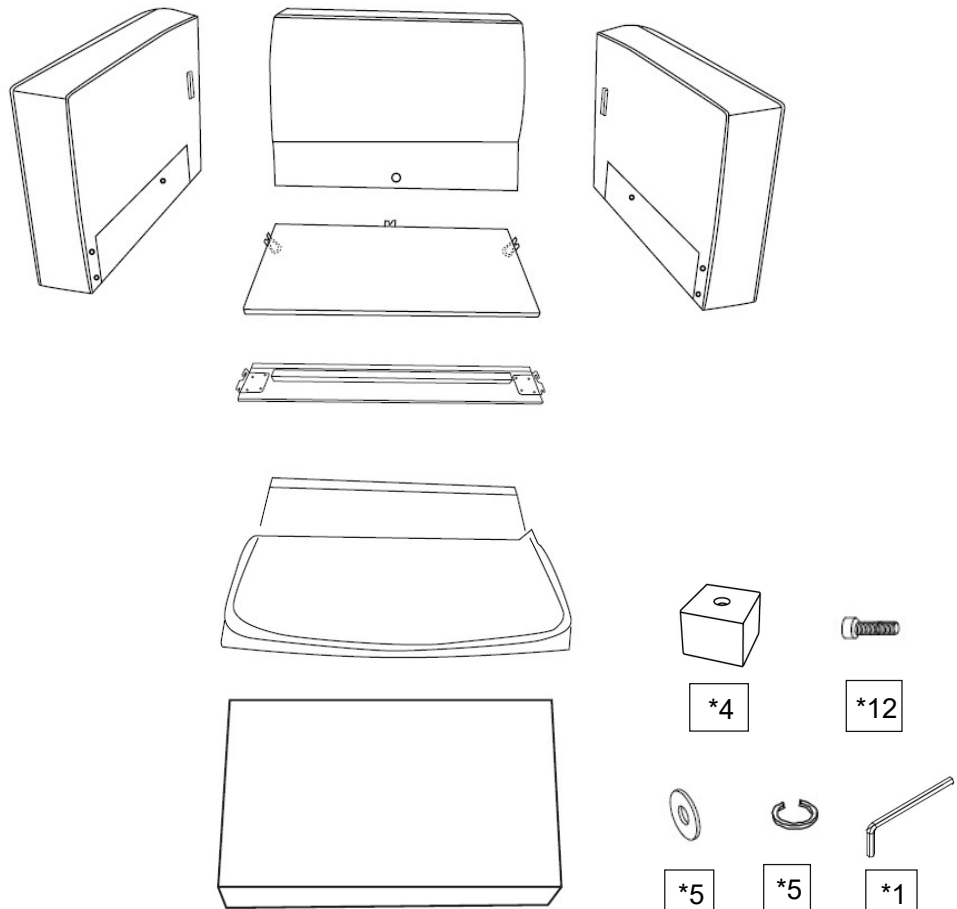
Label	Picture	Description	QTY
A		Backrest	1
B		Left Armrest	1
C		Right Armrest	1
D		Seat	1
E		Front Rail	1
F		Seat Cushion Cover	1
G		Inner Seat Cushion	1
H		Leg	4

Hardware List

Label	Picture	Description	QTY
①		Bolt(M8*60)	12
②		Flat Washer Ring	5
③		Spring Washer Ring	5
④		Allen Wrench	1

Assembly Preparation

Before Beginning Assembly:





- Read instructions, cover to cover-



- Have 2 adults on hand for assembly-



- Do not assemble on flooring or carpet-



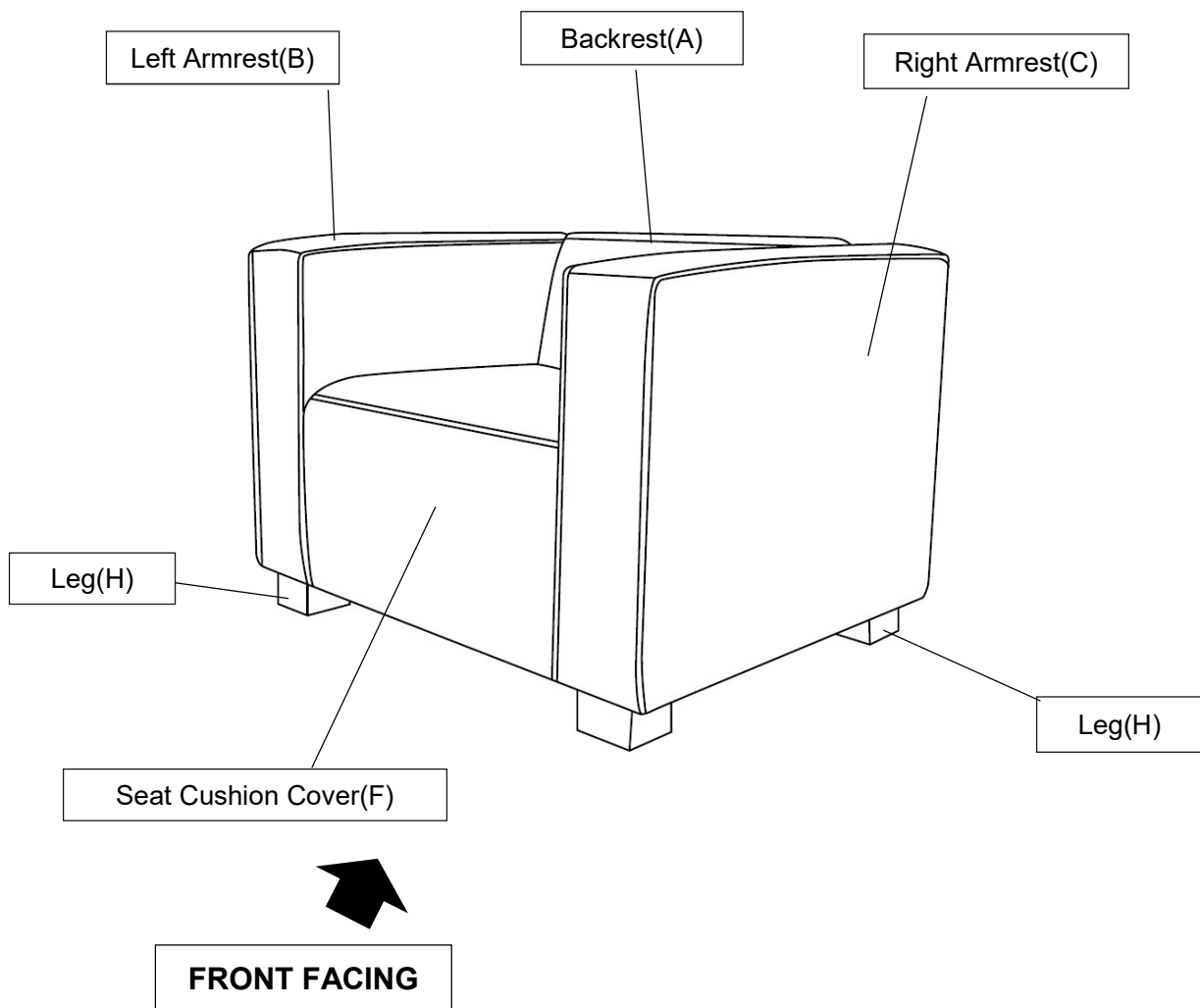
- Assemble on a clean non-marring surface (packing foam)-



- Save all packaging until finished-

Assembly Steps

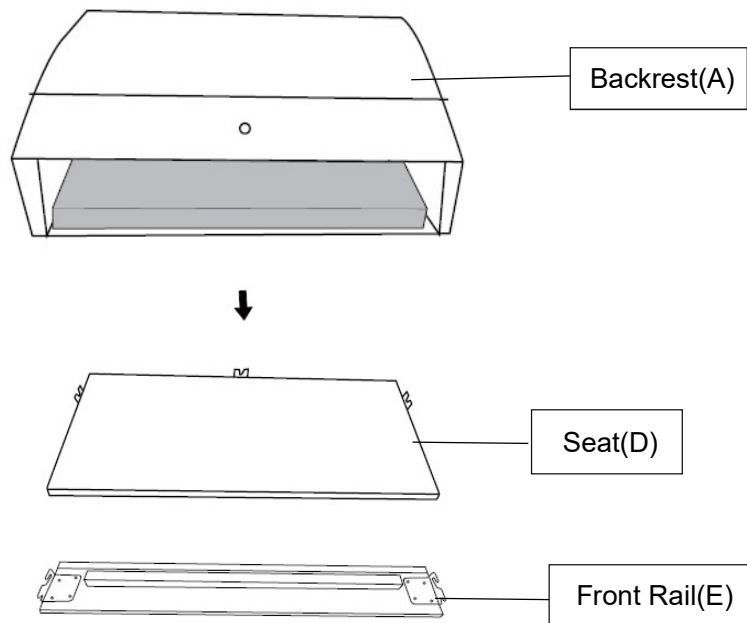
OVERVIEW



This Chair has multiple parts and may require up to 60 minutes to assemble. To give you an overview of the Chair parts, the above picture is to help you put the various parts into perspective. Please read through the instructions below to familiarise yourself with the parts and steps before assembly.

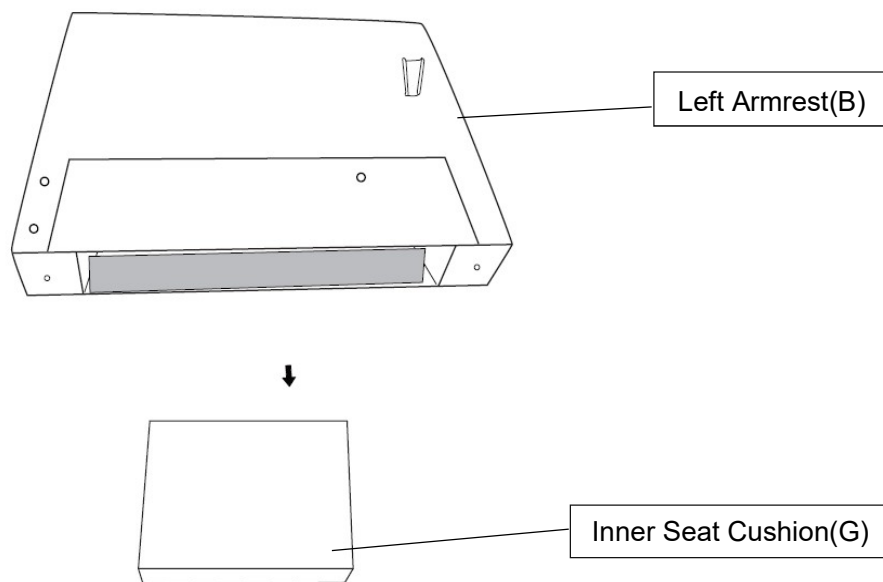
Note: It is recommended that you have an adult partner to assist during the entire assembly process.

Step 1



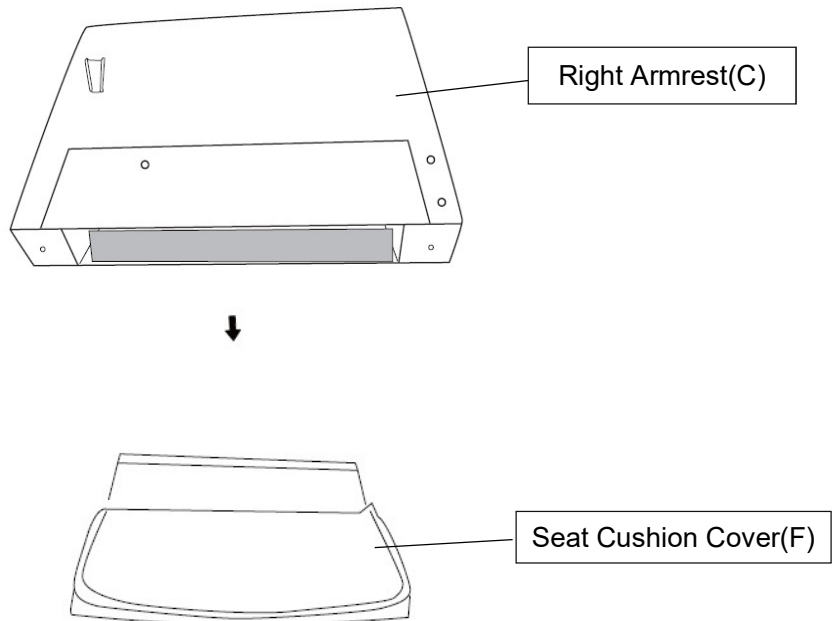
Place the Backrest(A) face up on a clean, non-marring surface.
Remove the Seat(D) & Front Rail(E) from the inside of the Backrest(A) as shown.

Step 2



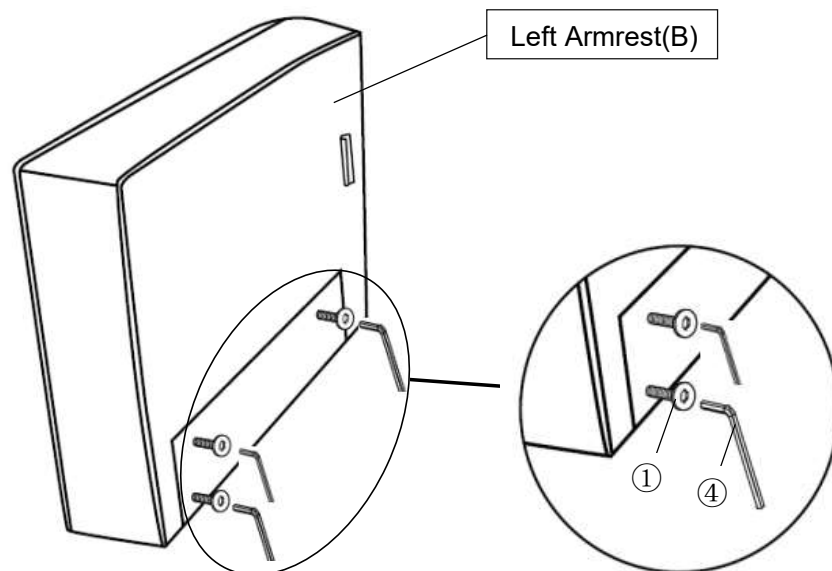
Place the Left Armrest(B) face up on a clean, non-marring surface.
Remove the Inner Seat Cushion(G) from the bottom of the Left Armrest(B) as shown.

Step 3



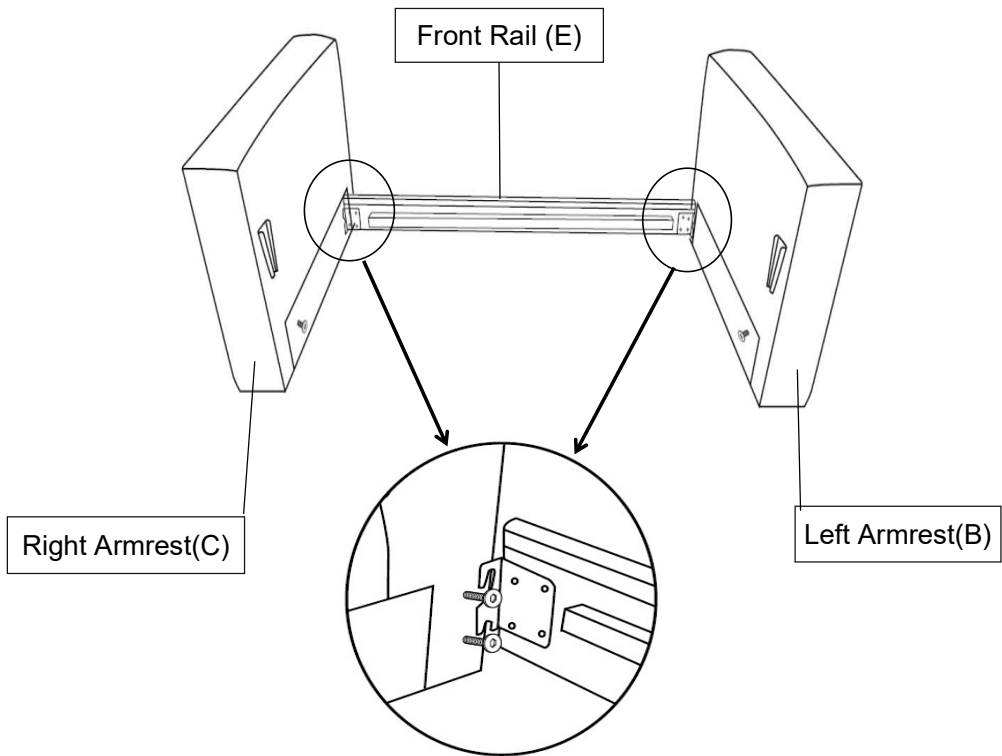
Place the Right Armrest(C) face up on a clean, non-marring surface.
Remove the Seat Cushion Cover(F) from the bottom of the Right Armrest (C) as shown.

Step 4



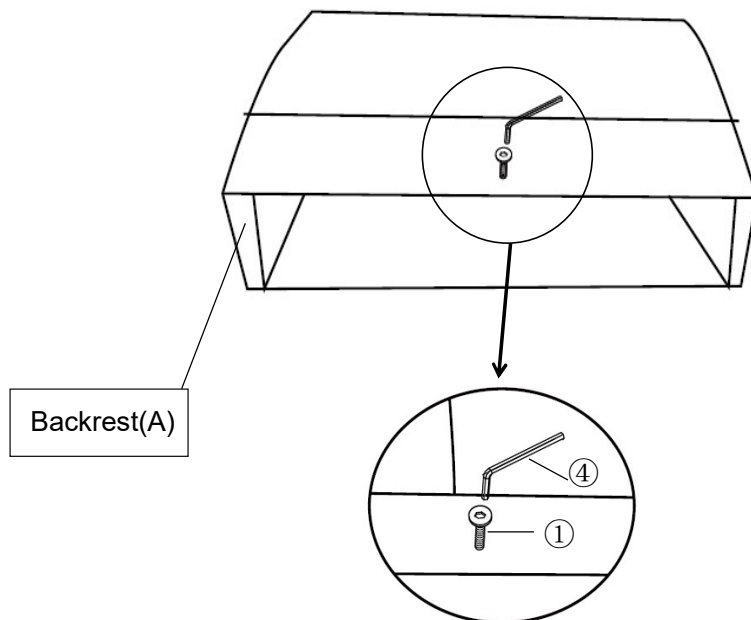
Turn 3 bolts(1) clockwise with the Allen Wrench(4) , turning them about 0.5 inches (half an inch) into the Left Armrest(B) .
Repeat the same process with the Right Armrest(C).

Step 5



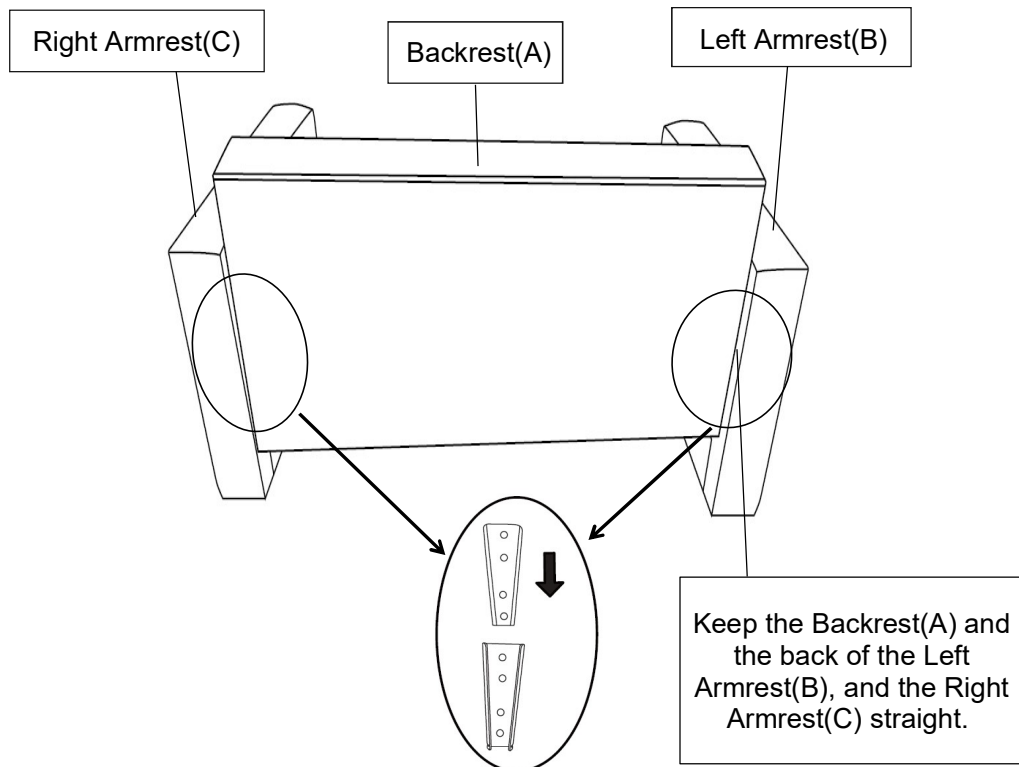
With the assistance from your adult partner, slide the hooks on the end of the Front Rail(E) onto the bolts on the Right Armrest(C) and the Left Armrest(B) as shown in the picture.

Step 6



Turn a bolt(1) clockwise with the Allen Wrench(4), turn about 0.5 inches (half an inch) into the Backrest(A) as shown above.

Step 7



Slide the Tapered Connectors on the Backrest(A) into the Tapered Connectors on the Left Armrest(B) as shown in the picture.

Repeat the same step with the Right Armrest(C)

Note: Make sure the Tapered Connectors on the Backrest(A) lock into the Tapered Connectors on the Left Armrest(B) and the Right Armrest(C).

NOTE:Keep the Backrest(A) and the back of the Left Armrest(B), and the Right Armrest(C) flat.

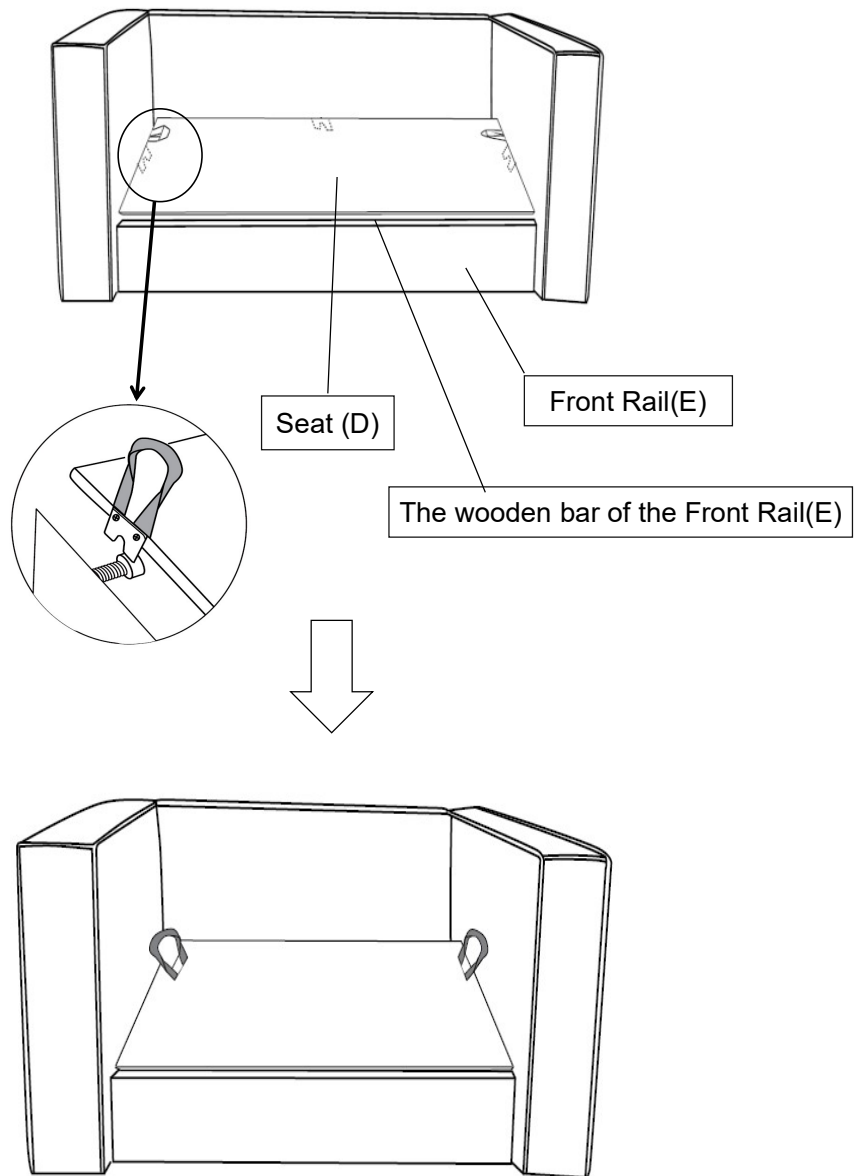
Assistance from an adult partner is necessary for this assembly process.

During this assembly process - do exercise caution. You may need to use your hand to press down and or pave away the padded surface to facilitate the 'slip and slide' assembly.

Caution: Ensure that your fingers do not get caught or pinched in the assembly process.

Step 8

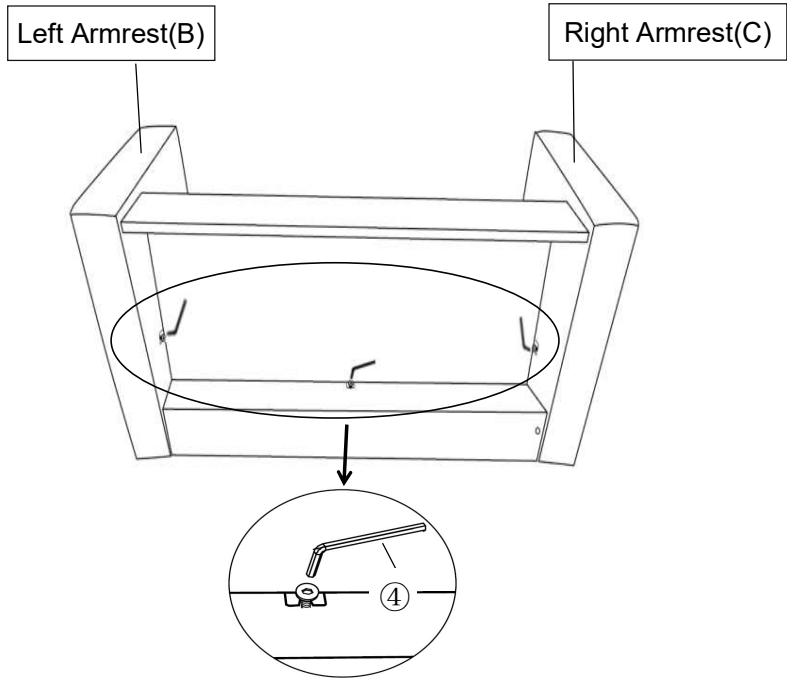
1



With the assistance of your adult partner, lift the rope on the two sides of Seat(D) by hand. Place the Seat(D) over the wooden bar on the back side of the Front Rail(E) and then slowly place it down on it as shown above.

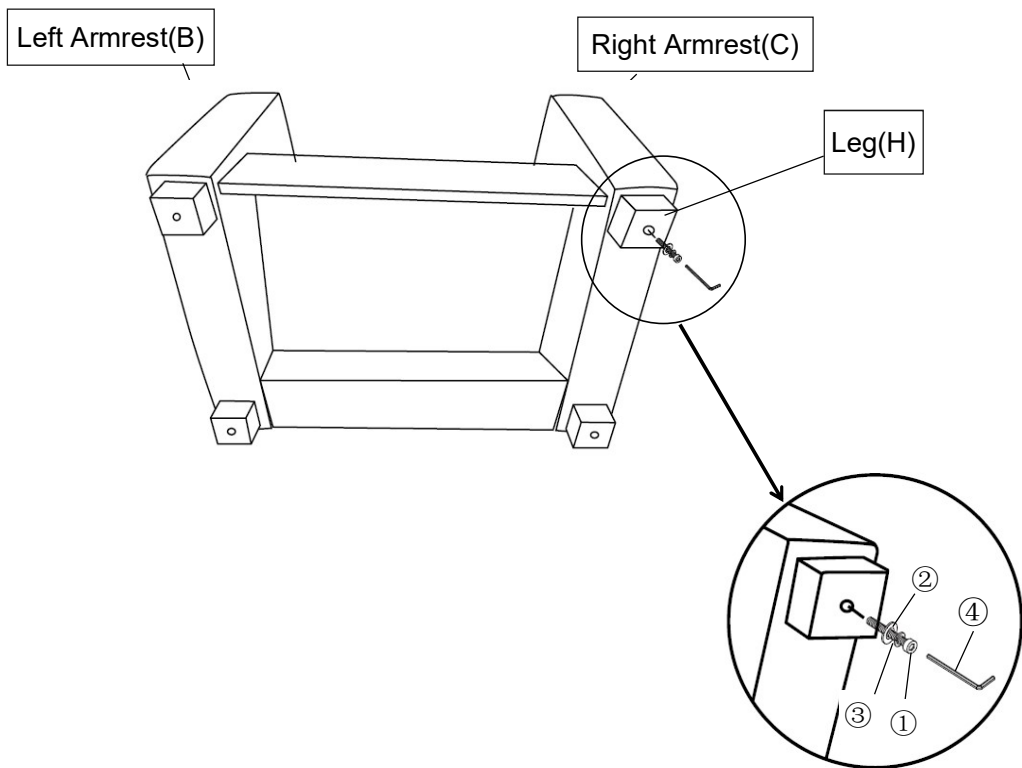
Note: All the u-shaped iron sheets need to be clamped to the bolt.

Step 9



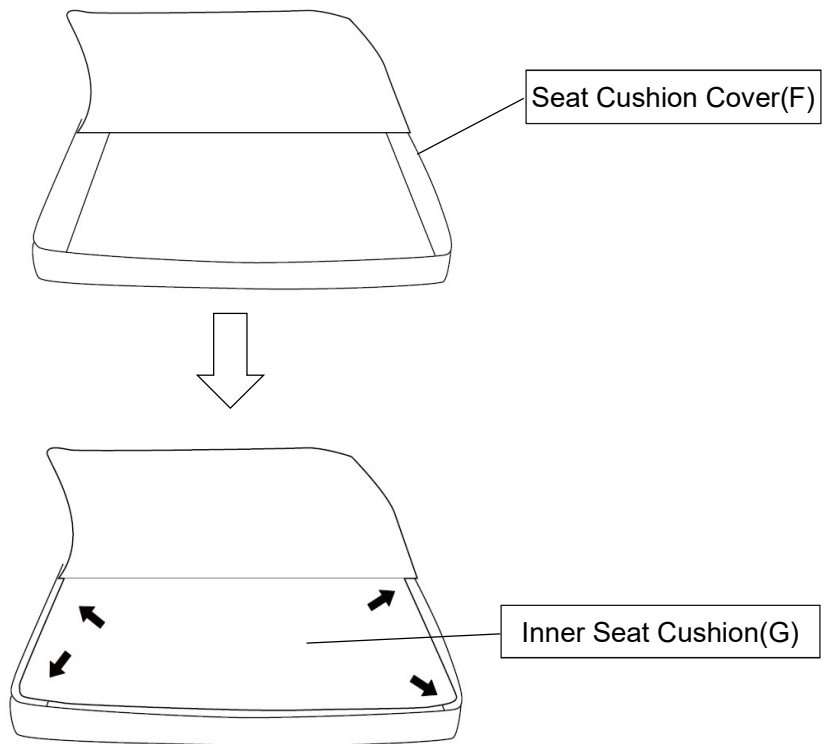
Tilt and lay the chair onto a flat surface.
Tighten the Bolts in the bottom of Backrest(A), the Left Armrest(B) and the Right Armrest(C) using the Allen Wrench(④) as shown above.
Tighten the Bolts fully in a sequential manner.

Step 10



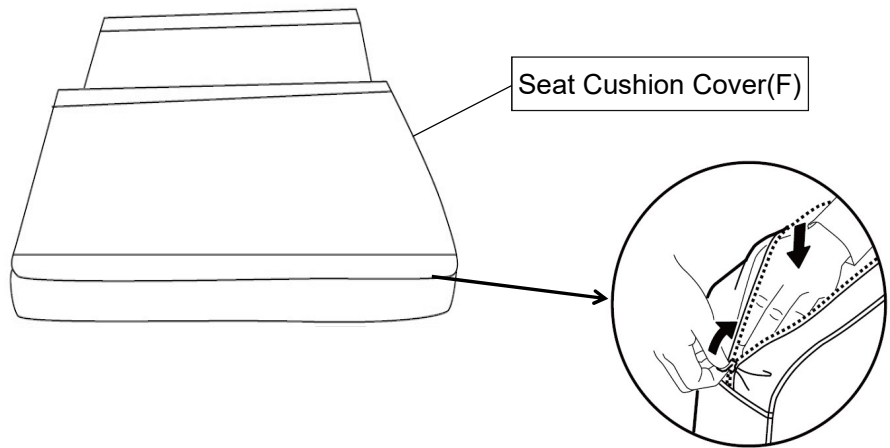
Attach the Leg(I) to the Left Armrest(C) using a Bolt(①),a Spring Washer Ring(③),a Flat Washer Ring(②),with the Allen Wrench(④) turning clockwise until tight.
Repeat the same step with the remaining Legs(I).

Step 11



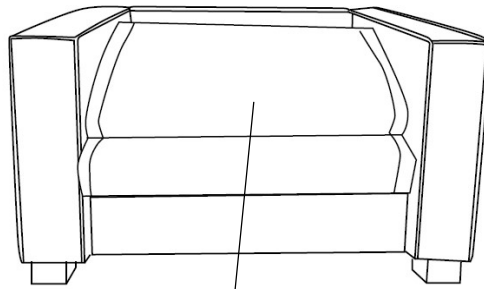
Open the zipper on the bottom of the Seat Cushion Cover(F).
Place the Inner Seat Cushion(G) into the Seat Cushion Cover(F) and smooth out the Seat Cushion Cover(F) as shown above.

Step 12



Close the Zipper on the bottom of the Seat Cushion Cover(F) as the picture shows above.

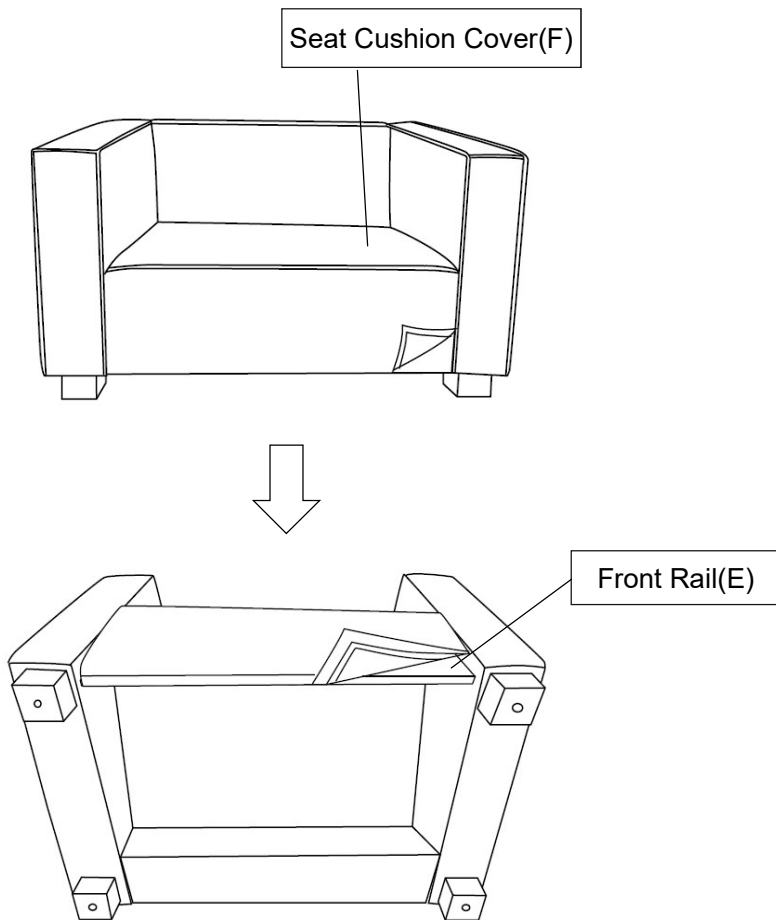
Step 13



Seat Cushion Cover(F)

After Step 12, put the Seat Cushion Cover(F) on the Chair.

Step 14

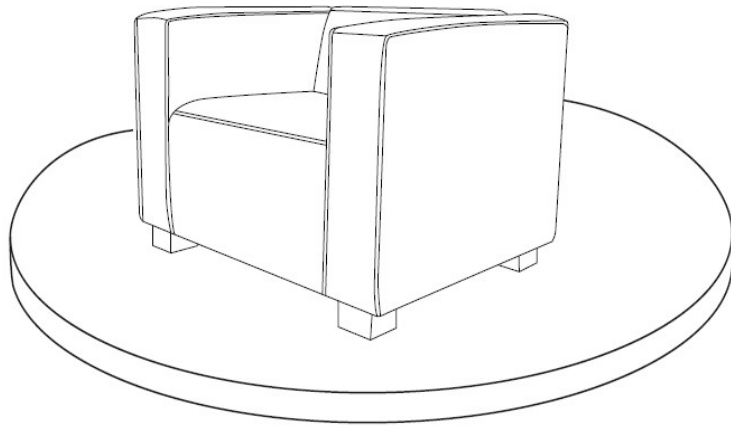


Seat Cushion Cover(F)

Front Rail(E)

Stick the magic tape of the Seat Cushion Cover(F) under the the Front Rail(E).

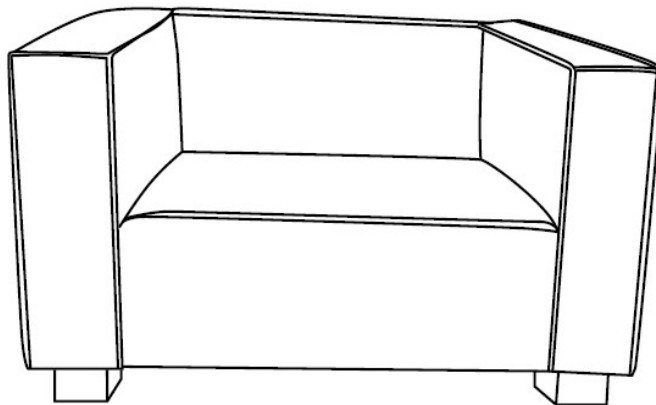
Step 15



Position Chair right side up and test for stability.

Notice: If a leg is found to not be level, loosen the bolts under the chair a little bit, press the Backrest, Arm or Seat Cushion to adjust until all 4 legs are level, then tighten all the bolts.












Step 16



Your Chair is ready for use.

This Chair can only be used on a flat, level surface.

Care & Maintenance

- ✓  ● Furniture may scratch floors. We recommend using furniture pads to protect your floors.
 - ⊘  ● Do not put hot items directly on furniture surface.
 - ⊘  ● Do not clean furniture with harsh cleansers or polish.
 - ⊘  ● Do not place furniture under direct sunlight.
 - ⊘  ● Do not place furniture near heating or cooling vents.
 - ⊘  ● Do not write on furniture without a padded barrier to protect the surface.
 - ⊘  ● Do not place furniture outside . For indoor use only.
 - ⊘  ● Not for commercial use. For residential use only.
 - ⊘  ● Stains may be removed with mild soap solution and damp cloth.
 - ⊘  ● Children should not climb or jump on the furniture.
-
- ✓  ● Dust and pick-up spills using a clean, non-colored, lint-free cloth.