

# ASSEMBLY INSTRUCTIONS

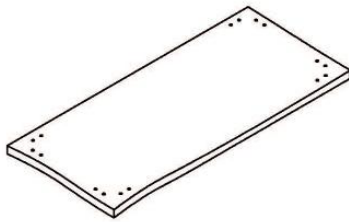
Do not fully tighten bolts & screws until the entire item is completely assembled.  
Two People required for assembly.

## Hardware



A  
16X

## Components



B  
1X



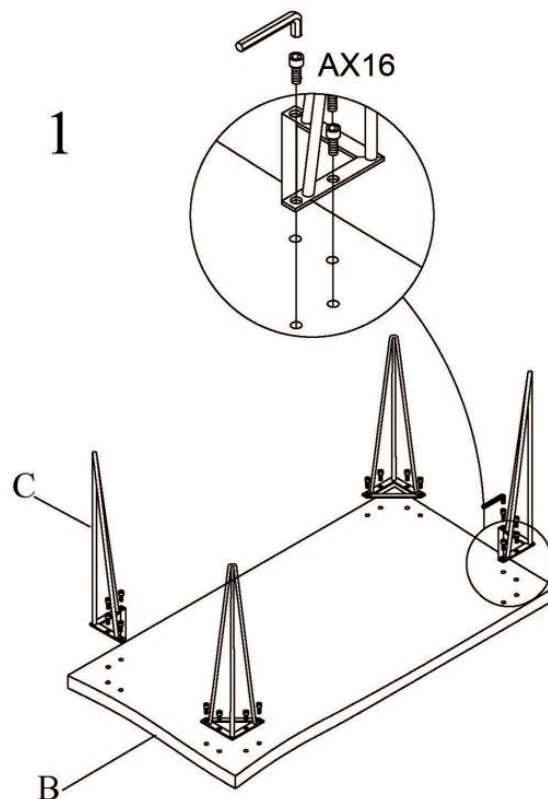
C  
4X

## Tool Required

Power tool not recommended  
recommandée



## Assembly Instructions



For user safety periodically verify tighten all fittings