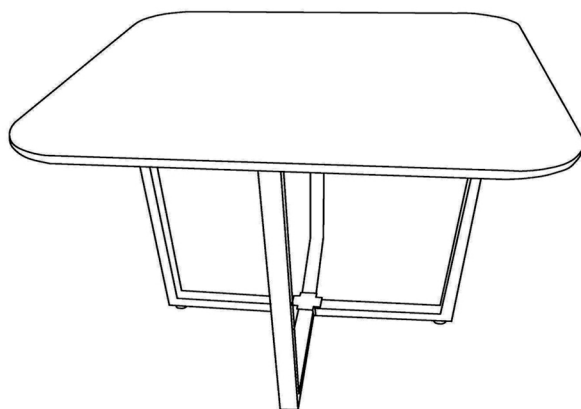


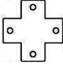


Assembly Instructions



Please install the products on carpet or soft place.

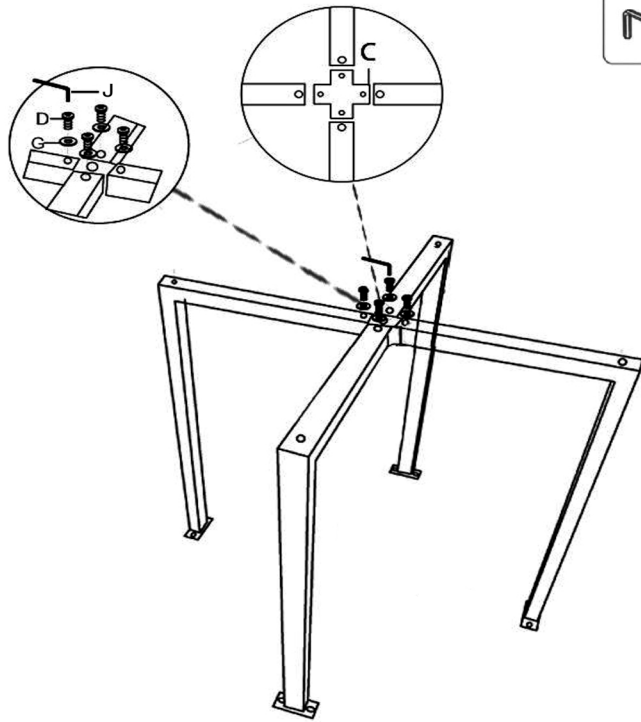
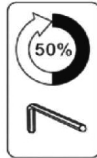
Parts List

No.	Sketch	Description	Qty
A		Panel	1
B		Legs	4
C		Cross Pieces	1

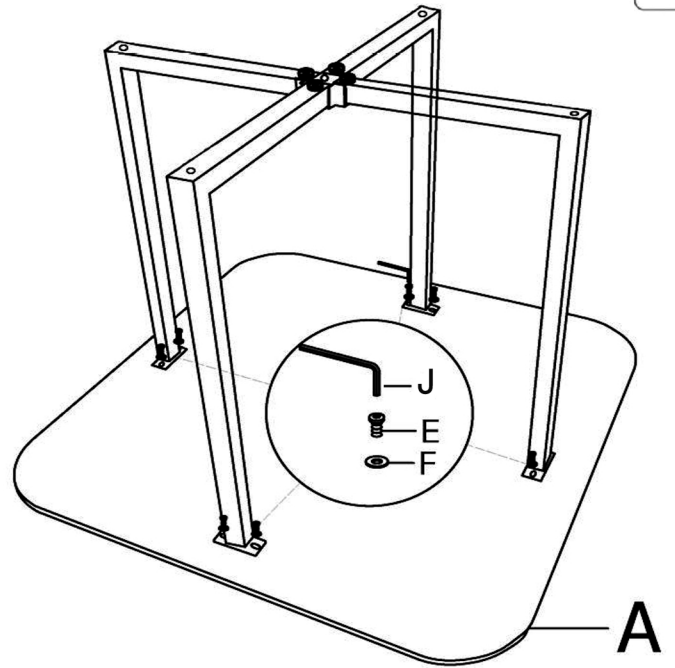
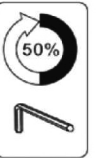
Hardware List

No.	Sketch	Description	Qty
D	 M8X10	Screw	4
E	 M6X16	Screw	8
F	 M6X18	Gasket	8
G	 M8X18	Gasket	4
H	 M8X30	Adjustable Foot Corner	4
I		Plastic Decoration	1
J	 M5	Allen Key	1

STEP 1



STEP 2



STEP 3

