

IMPORTANT NOTES

- . Place all wooden parts on clean and smooth surface such as rug or carpet to prevent the parts from being scratched.
- . Check to be sure that you have all parts and hardware.
- . Remove all wrapping materials, including staples and packing straps before you start to assemble.
- . Do not tighten all screws and bolts until completely assembled.
- . Keep all hardware out of the reach of children

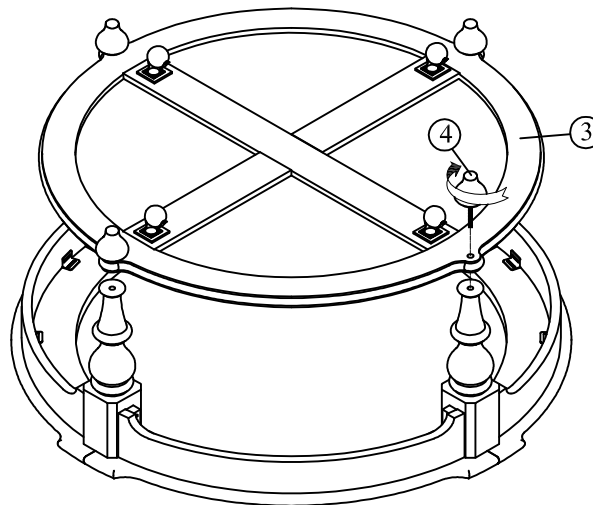
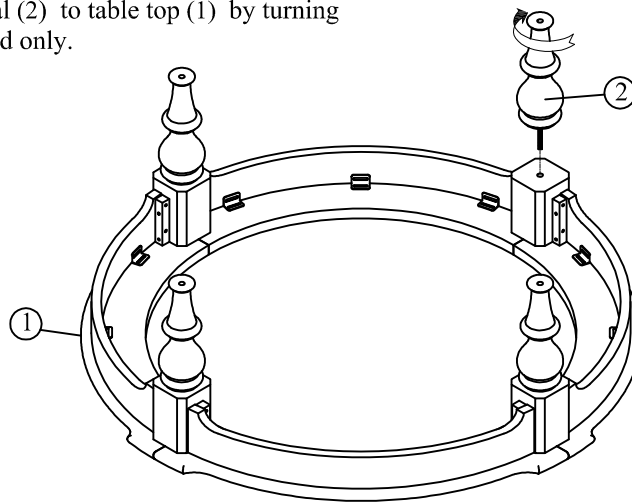
PART LIST

PART LIST		
1	Table Top	1 PC
2	Pedestal	4 PCS
3	Bottom Shelf	1 PC
4	Feet	4 PCS
5	Glass Top	1 PC

INSTRUCTION:

STEP 1. Put the table top upside down on a flat and soft surface to prevent from scratching the table finishing.

STEP 2. Attach Pedestal (2) to table top (1) by turning tighten by hand only.



Step 3: Put the bottom shelf (3) onto the post, holes on the shelf corner aligned with the holes in the posts, and put on the feet (4). Attach feet (4) to Pedestal (2) by turning tighten by hand only.

KINCAID®

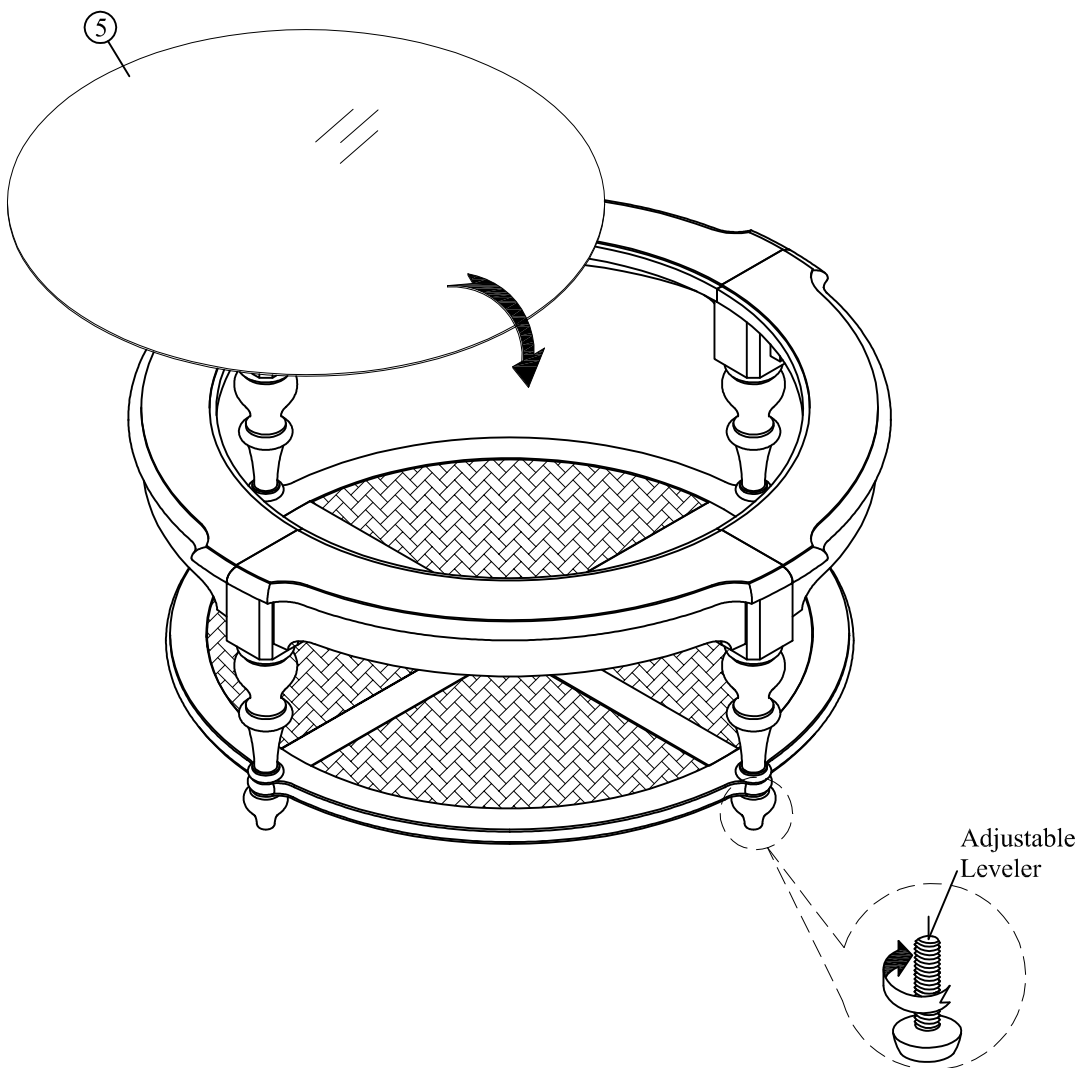
—SOLID WOOD SINCE 1946—

www.kincaidfurniture.com

phone :828-728-3261.

ASSEMBLY INSTRUCTION

161-911 Corso Round Coffee Table



Adjust leveler if needed to level case on uneven floor.

MADE IN VIETNAM

Page 2 of 2