

Assembly Instructions

Caution : You must read this before you proceed

Care & Maintenance

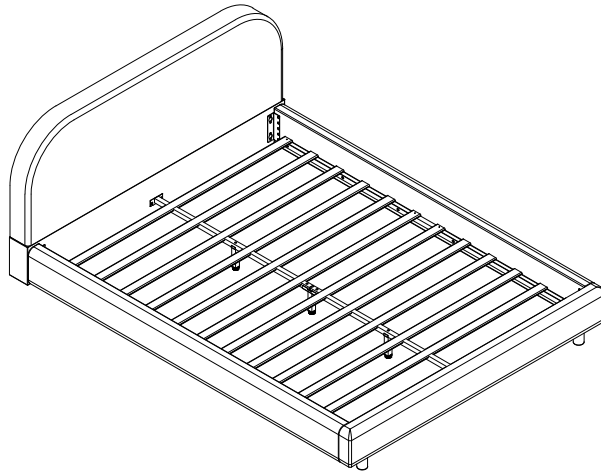
- ⊘  • Not for commercial use. For residential use only.
 - ✓  • Furniture may scratch floors. We recommend using furniture pads to protect your floors.
 - ⊘  • Do not put hot items directly on furniture surface.
 - ⊘  • Do not clean furniture with harsh cleansers or polish.
 - ⊘  • Do not place furniture under direct sunlight.
 - ⊘  • Do not place furniture near heating or cooling vents.
 - ⊘  • Do not write on furniture without a padded barrier to protect the surface.
 - ⊘  • Do not place furniture outside . For indoor use only.
 - ⊘  • Stains may be removed with mild soap solution and damp cloth.
 - ⊘  • Children should not climb or jump on the furniture.
- ✓  • Dust and pick-up spills using a clean, non-colored, lint-free cloth.

Please look in carton for hardware packs and legs.
Sets often ship in multiple boxes and may arrive a day or two apart.

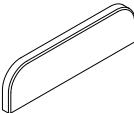

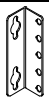
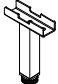

Upholstered Bed Queen Size

N757P413150K / N757P413150V

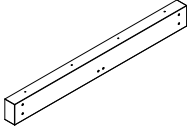
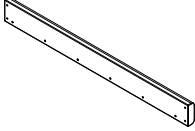
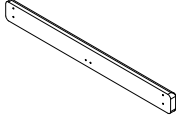
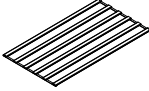
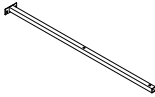

N757P413151K / N757P413151V



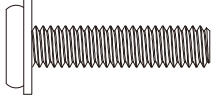
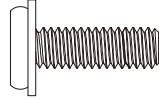
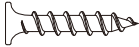

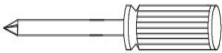

Parts List N757P413150K / N757P413150V

Label	Picture	Description	QTY
A		Headboard	1
E		Bed Leg	4
F		V-Bracket	4
I		Center Leg	1
J		Support Leg	2

Parts List N757P413151K / N757P413151V

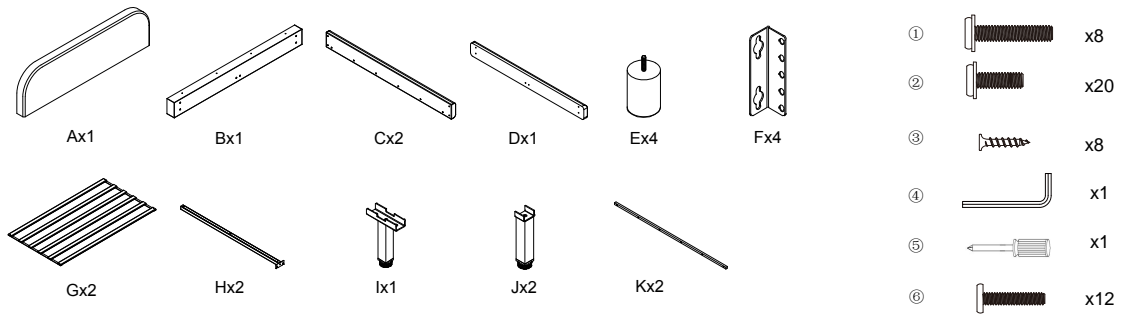
Label	Picture	Description	QTY
B		Under Headboard	1
C		Side Rail	2
D		Footboard	1
G		Slats	2
H		Center Rail	2
K		Side rails support bar	2

Hardware **N757P413150K / N757P413150V**

Label	Picture	Description	QTY
①		Bolt Ø5/16"×40mm	8+2
②		Bolt Ø5/16"×25mm	20+2
③		Screw M4 X 30mm	8+2
④		L-Allen Key 4mm	1
⑤		Screwdriver (Not provided)	1
⑥		Bolt Ø1/4"×40mm	12+2

Assembly Preparation

Before Beginning Assembly :



- Read instructions, cover to cover-



- Have 2 adults on hand for assembly-



- Do not assemble on flooring or carpet-



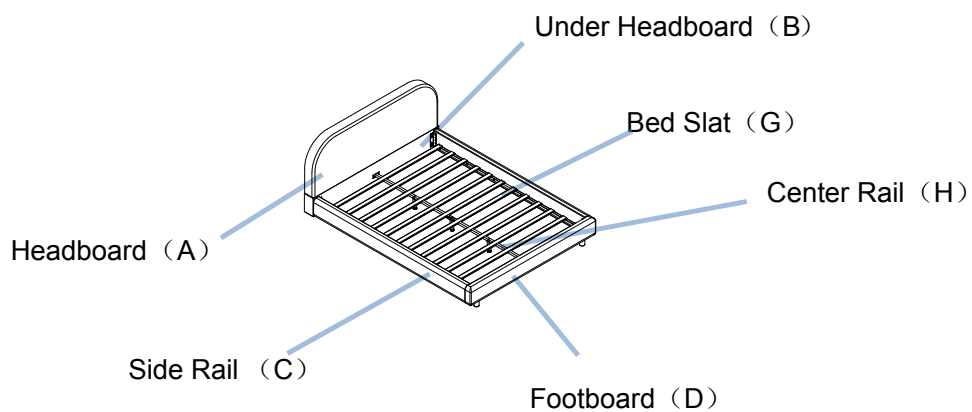
- Assemble on a clean non-marring surface (packing foam)-



- Save all packaging until finished-

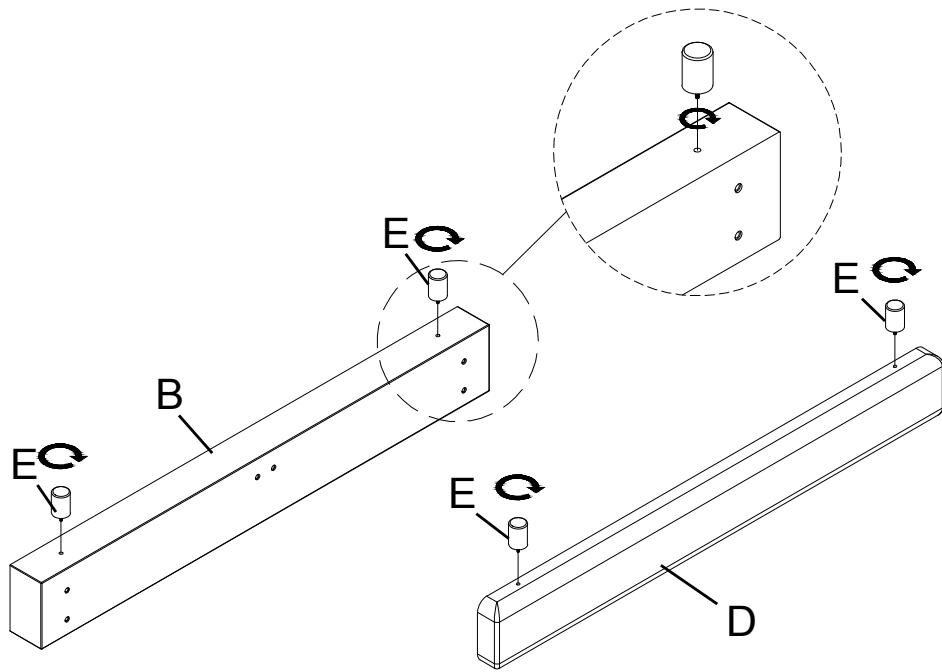
Assembly Steps

Overview



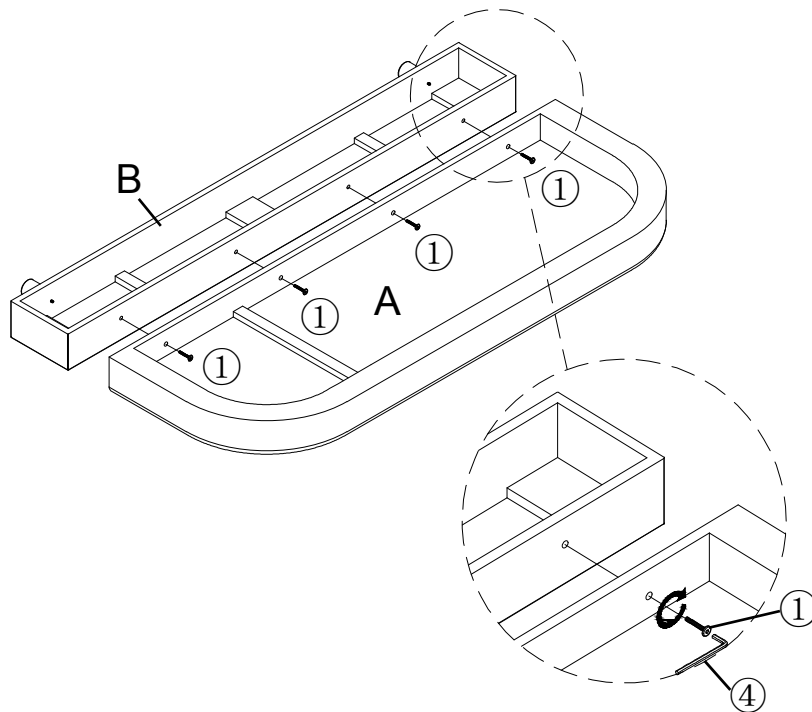
This Upholstered Bed has multiple parts and may require up to some 30 minutes to assemble. To give you an overview of the Upholstered Bed parts, the above picture is to help you put the various parts into perspective. Please read through the instructions below to familiarise yourself with the parts and steps before assembly.

Step 1



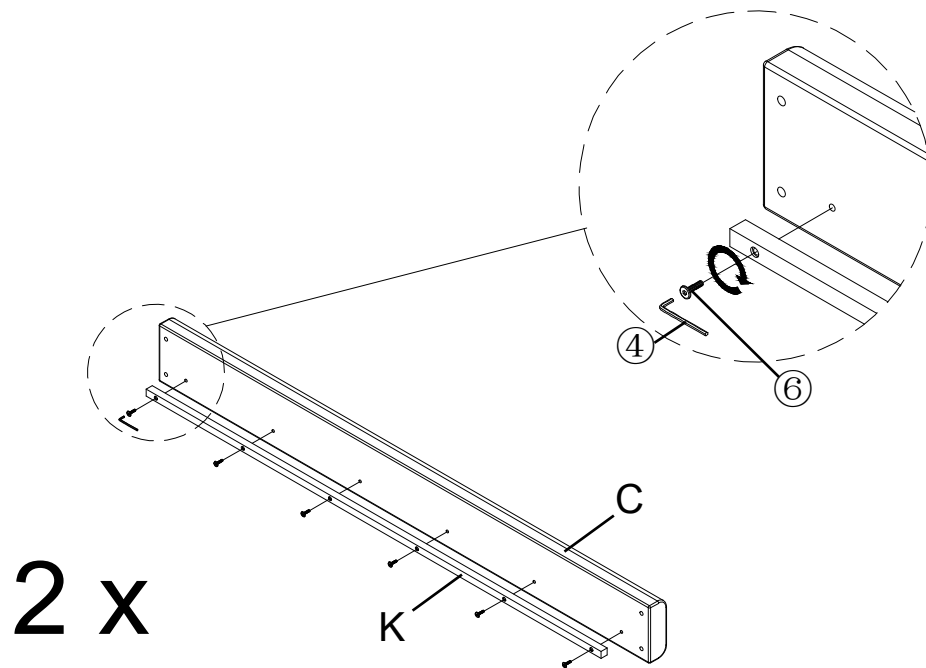
Attach Leg Bed (E) to Headboard (B) and Footboard (D) .

Step 2



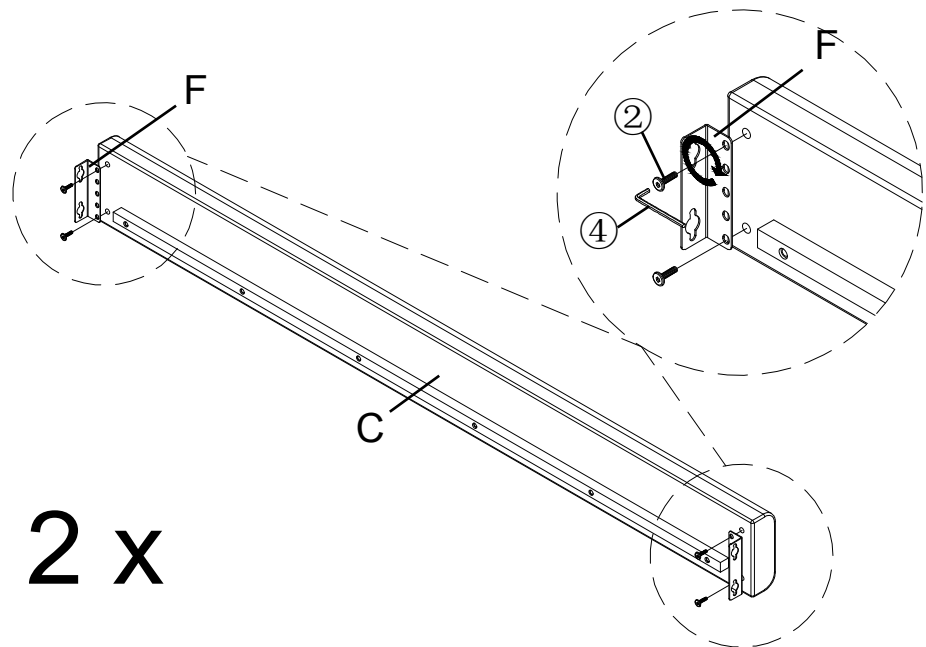
Attach Headboard (A) to Under Headboard (B) by using Bolts (1) with L-Allen key (4) .

Step 3



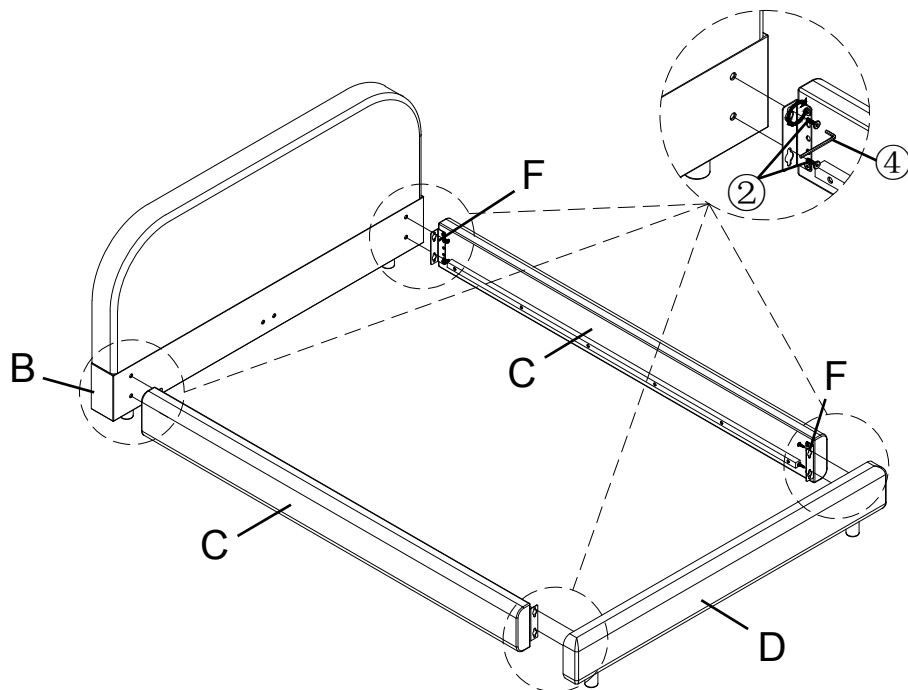
Attach Side rails support bar (K) to 2 x Side Rail (C) by using Bolts (6) with L-Allen Key (4) .

Step 4



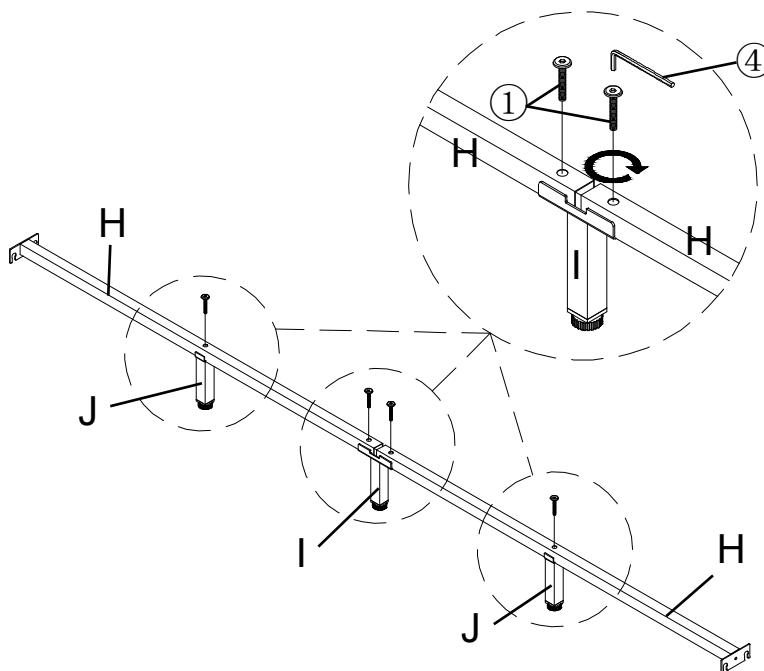
Attach V-Bracket (F) to 2 x Side Rail (C) by using Bolts (2) with L-Allen Key (4) .

Step 5



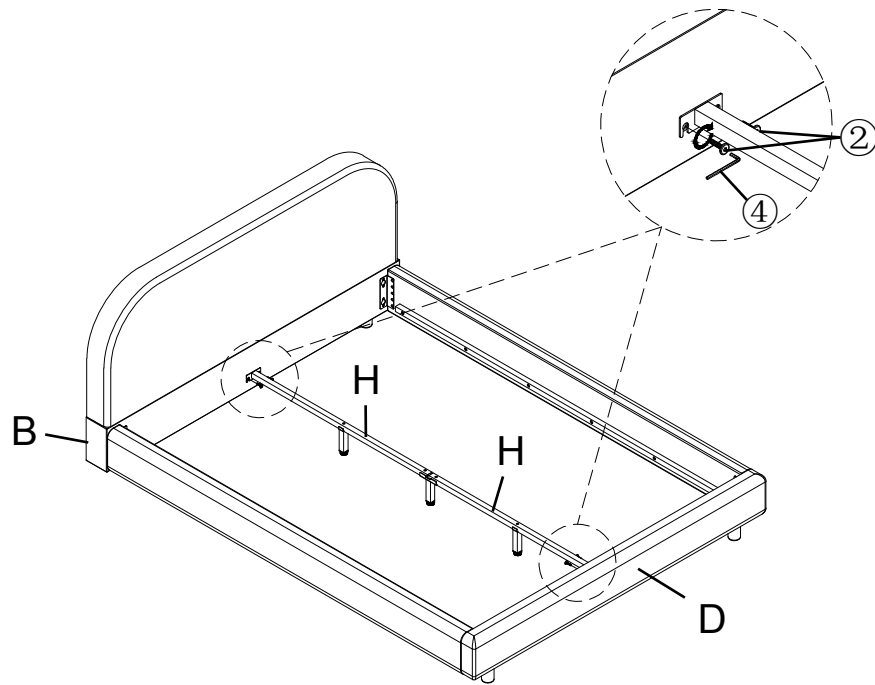
Attach V-Bracket (F) and Side Rail (C) to Under Headboard (B) by using Bolts (2) with L-Allen Key (4),
Attach V-Bracket (F) and Side Rail (C) to Footboard (D) by using Bolts (2) with L-Allen Key(4).

Step 6



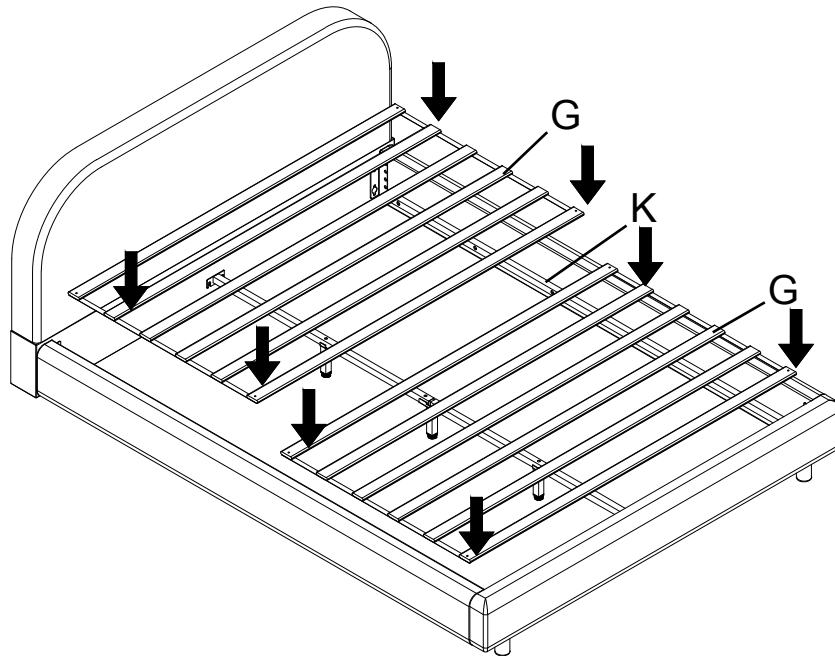
Attach Center Rail (H) to Support Leg (J) by using Bolts (1) with L-Allen Key (4), Attach Center Rail (H) to Center Leg (I) by using Bolts (1) with L-Allen Key(4) .

Step 7



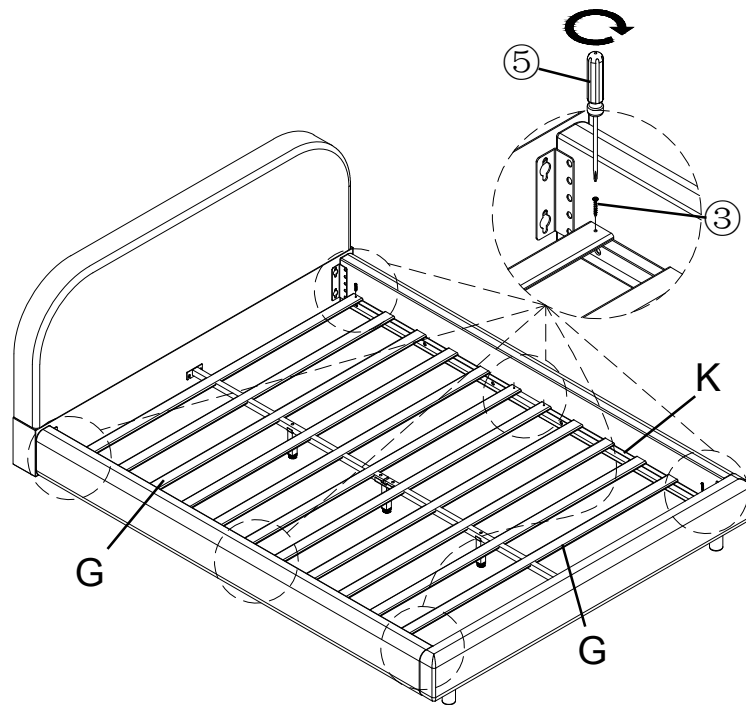
Attach Center Rail (H) to Under Headboard (B) and Footboard (D) by using Bolts (2) with L-Allen Key (4).

Step 8



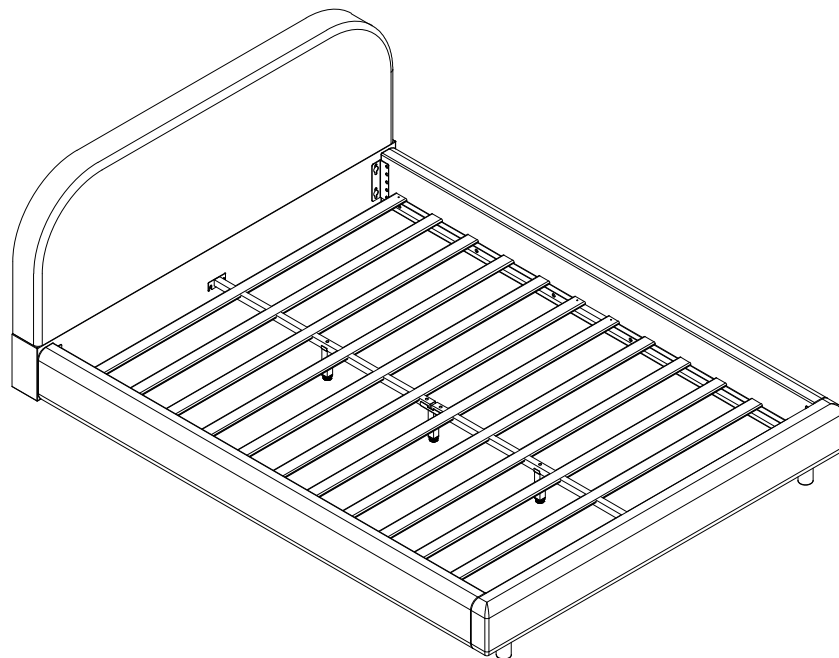
Attach Slats (G) to Side rails support bar (K).

Step 9



Attach Slats (G) to Side rails support bar (K) by using Screws (3) with Screwdriver (5).

Step 10



Your Upholstered Bed is ready for use.
This Upholstered Bed can only be used on a flat, level surface.

Place the Bed on a LEVEL SURFACE.

Inspect it and make sure all parts are adequately connected.

Don't push too hard,shake on the bed.

This would help to align all the parts at all the joint areas.

CAUTION 1:When tightening the screws,tighten sequentially.

DO NOT tighten any screw fully and then towards the next one.

This would cause the frame to warp.

If there is still wobbles,loosen the screws and execute this same process.**DO NOT**

tighten any screw fully and then towards the next one.

WARNING!! IF BED IS NOT STABLE,IT COULD LEAD TO DAMAGING THE PRODUCT.

Ensure all screws are fully locked into position.