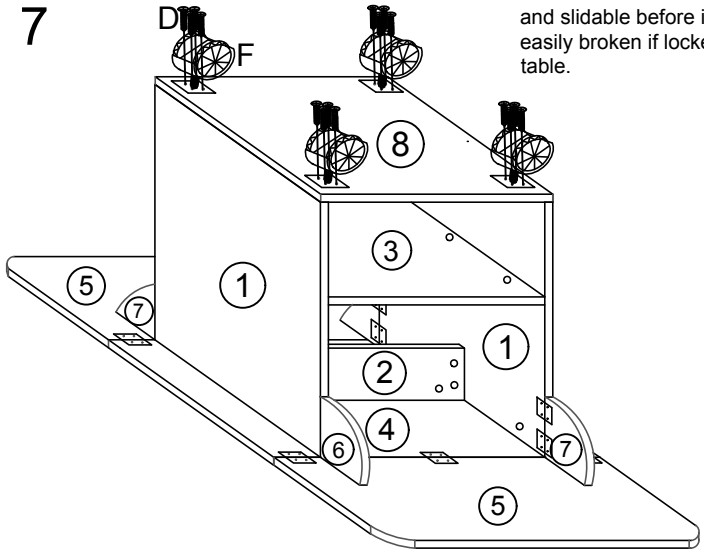


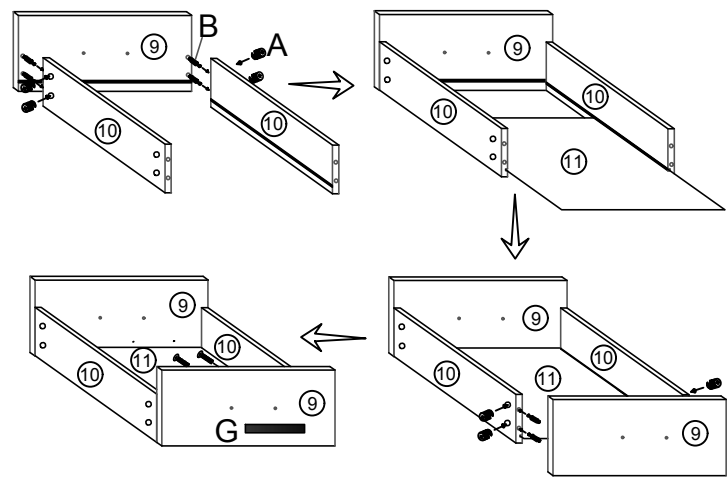
7



Note: Pls confirm the wheels are unlocked and slidable before installing. The wheel is easily broken if locked when moving the table.

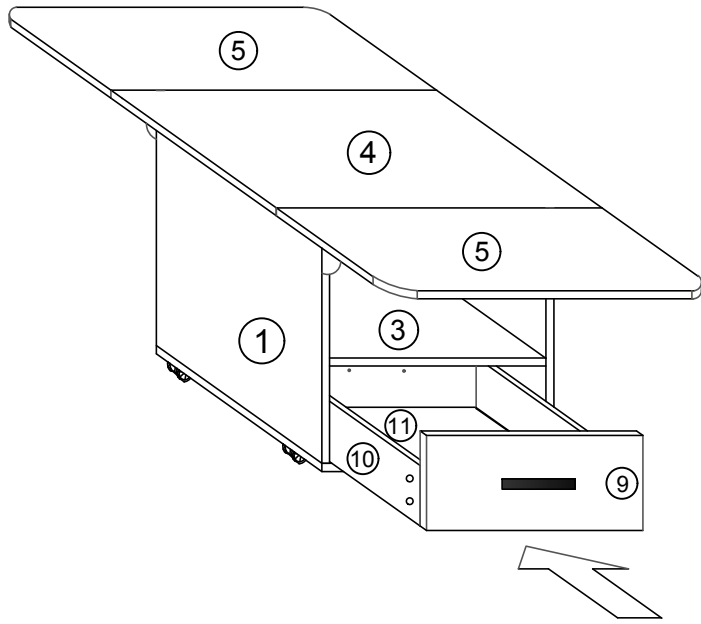
D		16pcs
F		4pcs

8

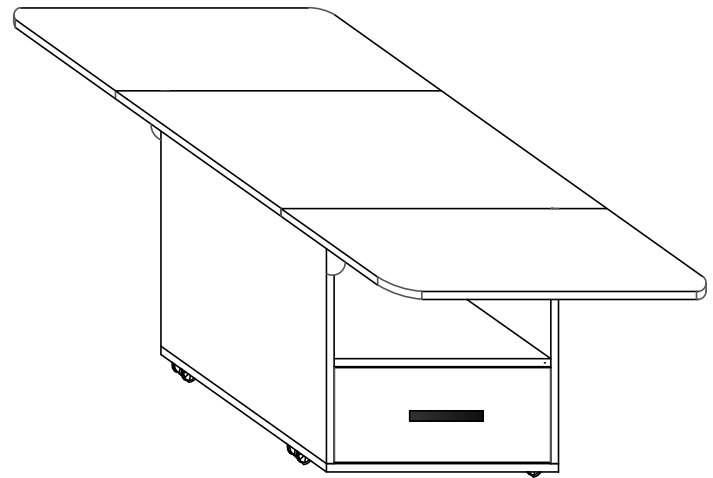


A		8pcs
B		8pcs
G		2sets

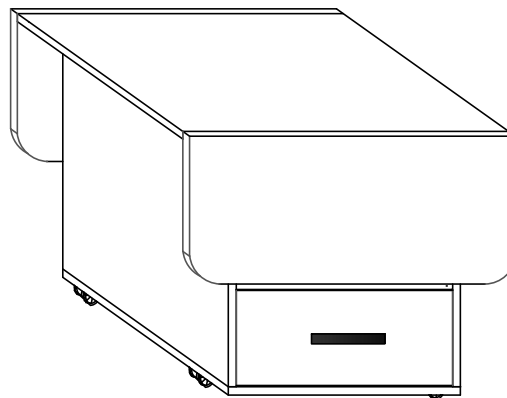
9



10



The drawer can be opened on both side.



Finished