

# ASSEMBLY AND MOUNTING INSTRUCTION

Please read the Assembly Instruction sheet carefully before proceeding. Carefully unpack and identify all parts prior to building the unit. Each part is identified on the drawing for reference.

**DO NOT DISCARD THE ORIGINAL PACKAGING.** If after careful inspection and you must return the item for any reason. Please repack the unit using the original carton and inserts.

**STEP 1:**Unpack all the parts and classify them according to the illustration shown at the side. Place the parts on a scratch free surface.

**STEP 2:** Install the glass panels into the frame and fix it using the clips.

**STEP 3:** Install the correct bulbs (not provided).

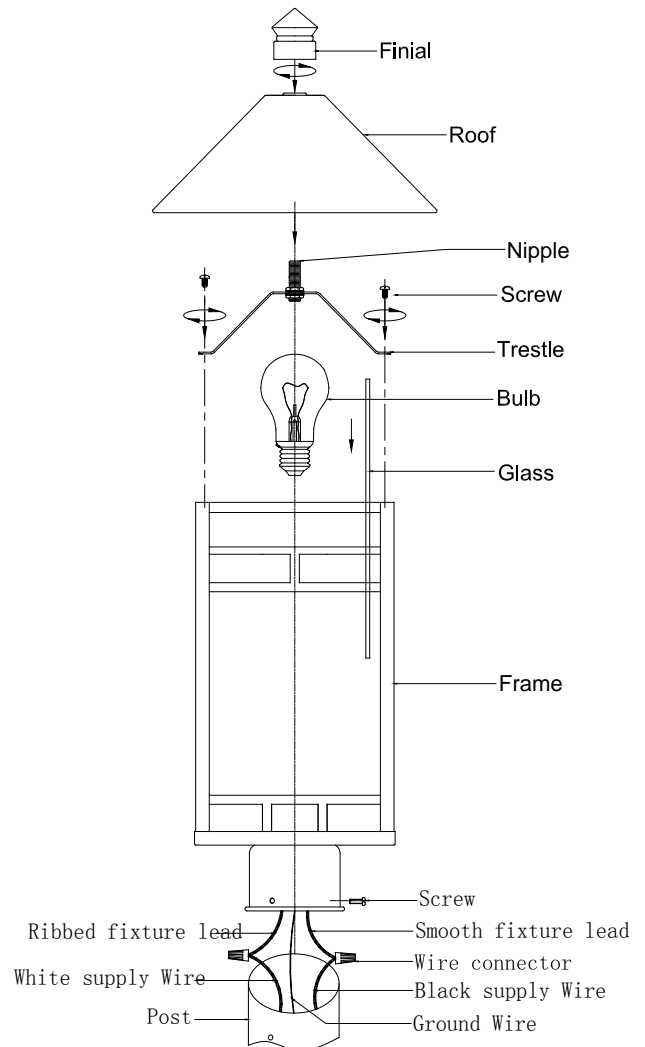
**STEP 4:** Secure the trestle to the fame using the screw.

**STEP 5:** Attach the Roof and secure to the frame with the finial.

**STEP 6:** Make sure the power is turned off at the main power cable where the fixture is to be installed. Use the wire nuts to connect the positive and neutral wires, connect the ground wire to the junction box ground port.

**STEP 7:** Secure the fixture to the post fitter using the screws.

**Turn on the power at fuse or circuit box.**



## CAUTION:

To reduce the risk of fire, use the specified lamp wattage ( or smaller ) and bulb type identified on the product.

## CLEANING INSTRUCTIONS:

Do not use polish or cleaners on your product. Just wipe clean with a soft cloth.

## CAUTION----RISK OF FIRE

This product requires installation by a qualified electrician. Before installing be sure to read all instructions and **TURN THE POWER TO THE ELECTRICAL JUNCTION BOX OFF.**