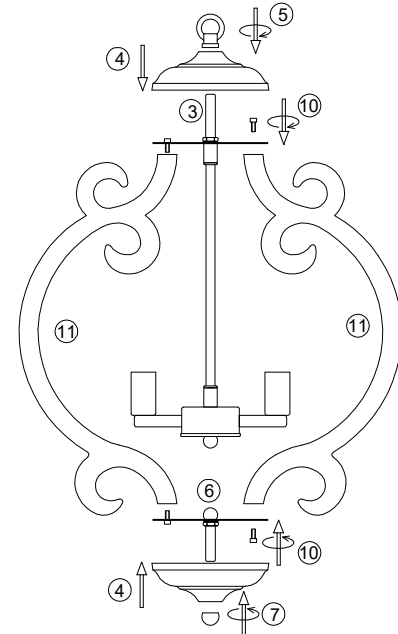
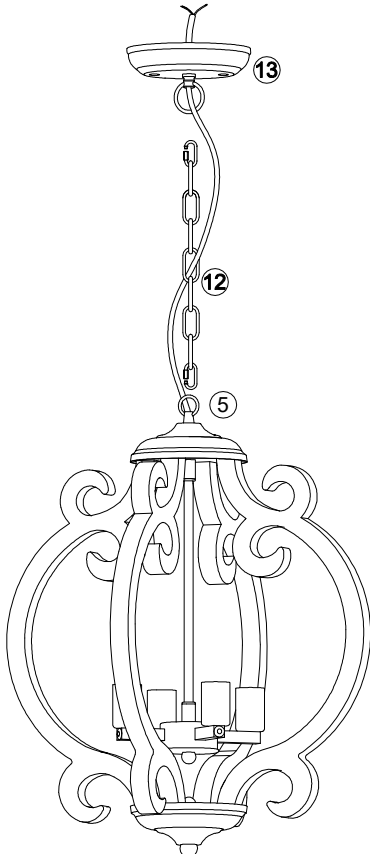


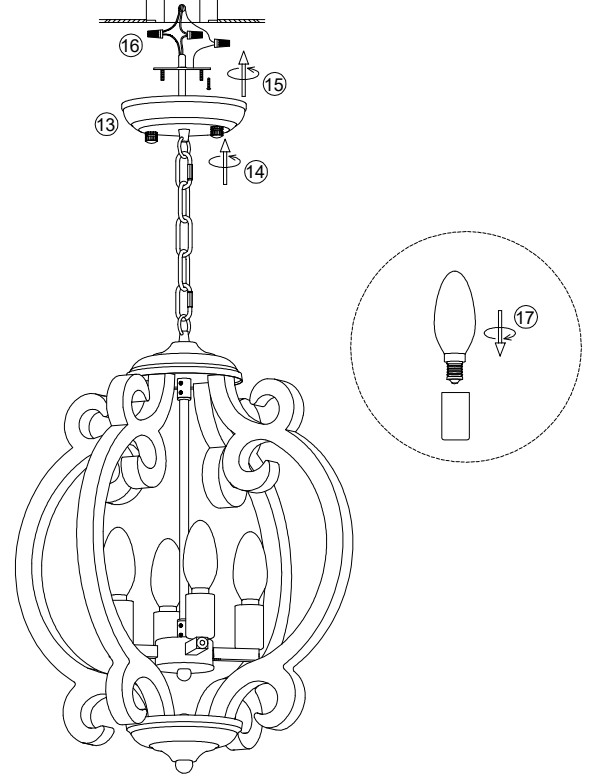
1. Let the wire of the light fixture ① go through the hanging tube ②, rotate the tube ② to fix it on the fixture ①.
2. Let the wire go through top plate ③, rotate the plate ③ to fix with tube ②, lock two ends of the tube ② with grub screw ⑧ (use hex key ⑨ to rotate the grub screw ⑧).



3. Install the wood profiles ⑪ to the top plate ③ and down plate ⑥ with screw ⑩, fixed the cover ④ to the plate ③ with hanging ring ⑤, fixed the cover ④ to the down plate ⑥ with end cap ⑦. (Do not overexert when rotating the screw ⑩, lest breaking off the wood profile ⑪, adjust the profile to right position like picture showed after installation.)



4. Hang the fixture to the canopy ⑬ with chain ⑫, let the wire go through the chain ⑫ and canopy ⑬.



5. Install the bracket to the ceiling junction box with screw ⑮.
6. Connect the wire to your home line with cap connectors ⑯.
7. Install the fixture to the bracket with cap nut ⑭. Install the bulb ⑰.

Please read carefully before installation!!!

Note : Please make sure that the electricity is powered off during installation !

Only a professional electrician should install this kind of product !