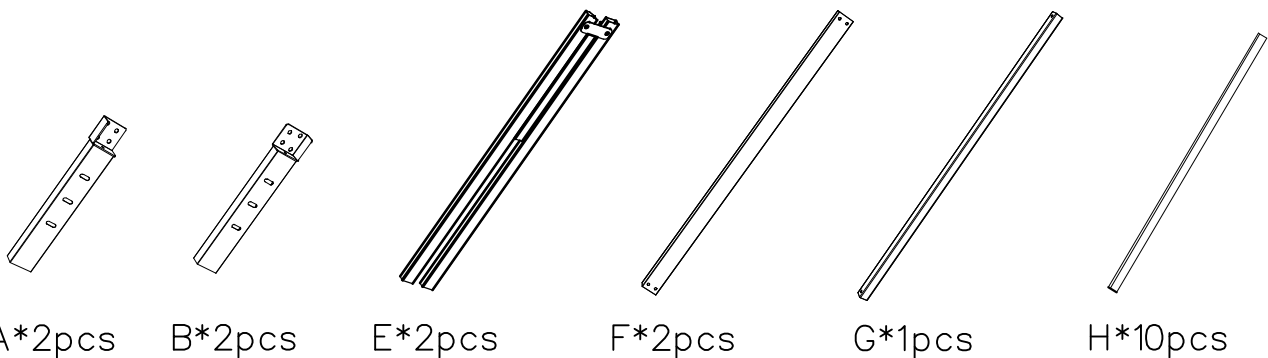


Platform Bed Set-up Instruction

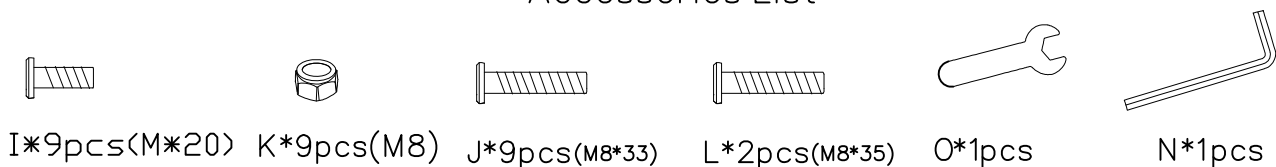
Size: Twin/Twin XL

If you have any questions about the product, please don't hesitate to contact us. You can reach us through your order. Thanks for your support!

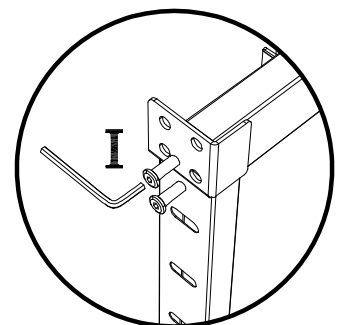
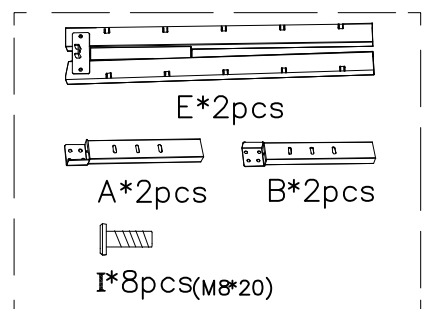
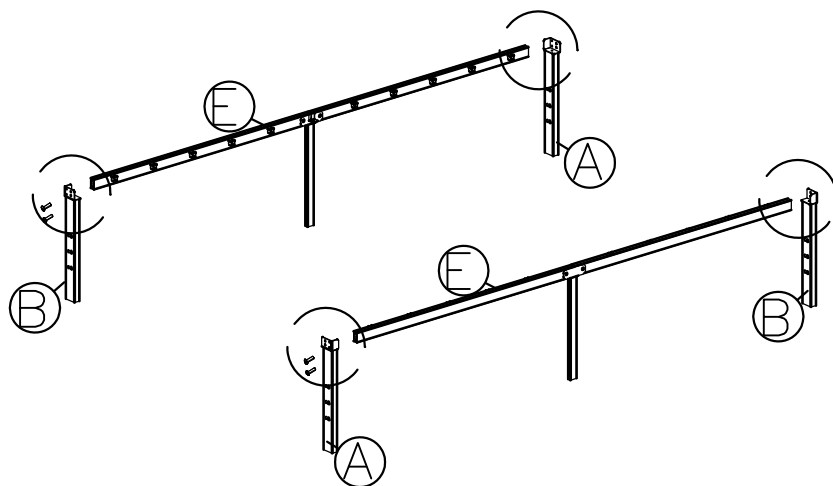
Bed Frame Parts List



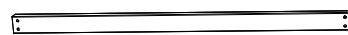
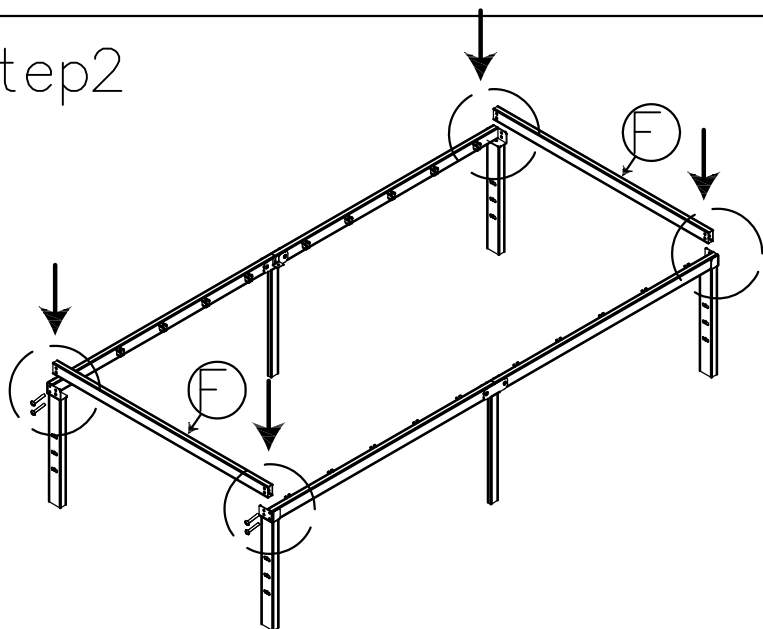
Accessories List



Step1



Step2



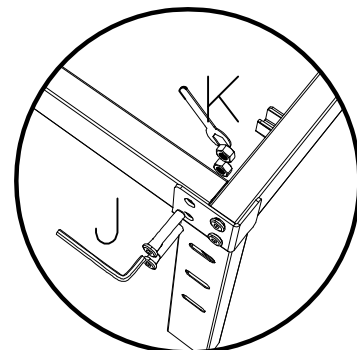
F*2pcs



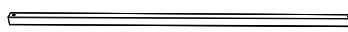
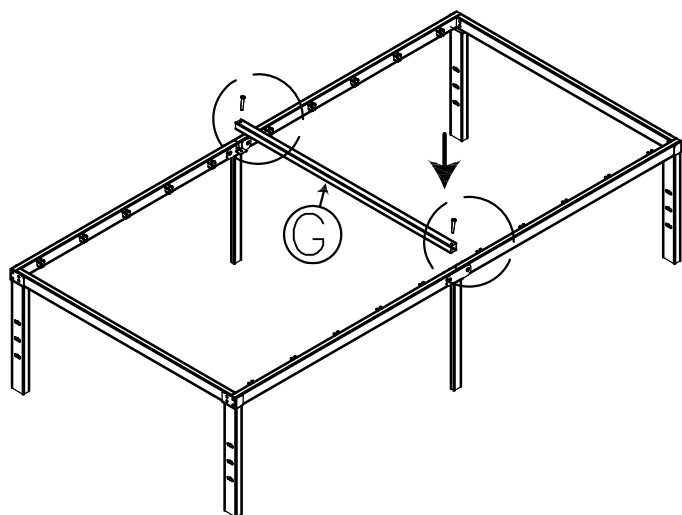
J*8pcs(M8*33)



K*8pcs(M8)



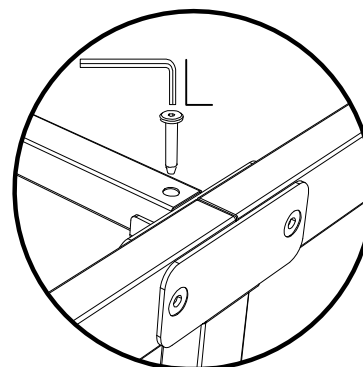
Step3



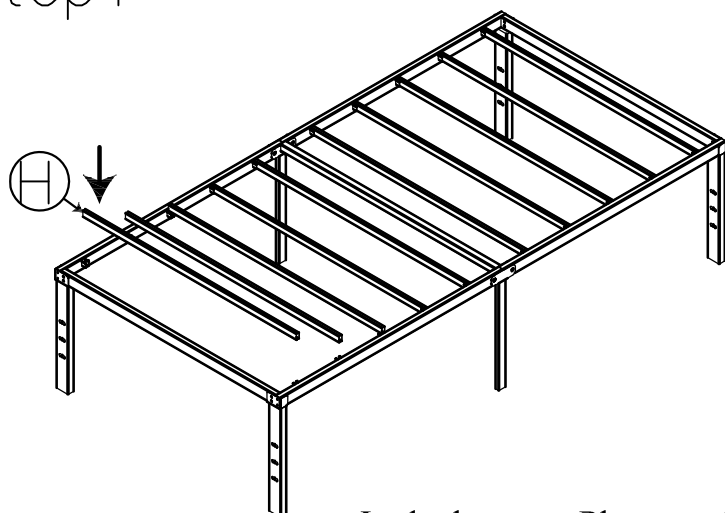
G*1pcs



L*2pcs(M8*35)



Step4



H*10pcs

In the last step, Please make sure all the screws are tightened .