

IMPORTANT SAFETY INSTRUCTIONS

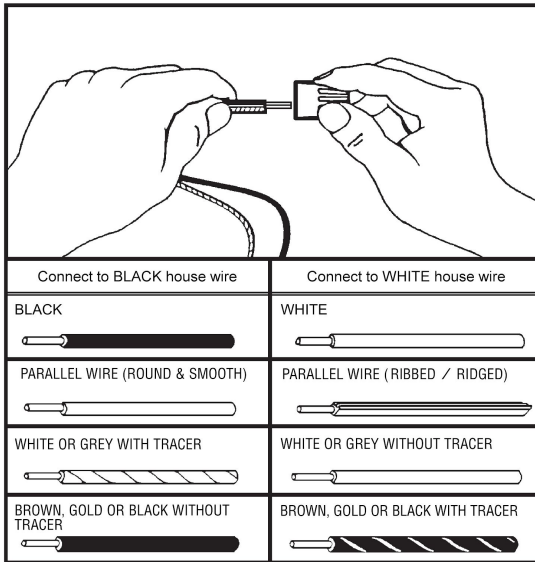
- To avoid injury or damage, mount only on a surface that is sturdy.
- To avoid electric shock, make sure the electricity is turned off at the main circuit breaker panel. If you are replacing an existing fixture, turn off the following in order: fixture, wall switch, and main fuse or breaker box.
Note: Some types of fuses must be unscrewed to shut the power off.
- If you are unclear as to how to proceed, please consult a licensed electrician.

UNPACK THE FIXTURE: Check the contents of the box. Box should contain all items on the parts diagram.

INSTALLATION INSTRUCTIONS

SEMI-FLUSH MOUNT (Chandelier on next page)

1. Measure Canopy (D) height with measuring tape. Adjust Canopy Screws (E) on round Mounting Plate (A) to the height of measured Canopy (D) plus 1/4" to allow them to protrude through Canopy (D) during installation. Lock Canopy Screws (E) in place with the hex nuts.
2. Secure Mounting Plate (A) to the junction box (not included) using Mounting Screws (B) provided. Ensure Mounting Plate (A) is positioned with Canopy Screws (E) pointing away from junction box.
3. Place Socket Assembly (F) against the ceiling by inserting Canopy Screws (E) through the appropriate holes located on Canopy (D). Adjust Canopy Screws (E) and hex nuts until 1/4" of the threaded portion is visible. Remove Socket Assembly (F) from the ceiling.
Note: If 1/4" of Canopy Screws (E) are not visible, remove Socket Assembly (F) and re-adjust Canopy Screws (E) to proper length and lock them in place with the hex nuts.
4. Line up holes on Socket Assembly (F) to holes on top of Shade (G). Secure Socket Assembly (F) to Shade (G) with Screws (H). Remove Decorative Caps (I) and screws from Canopy (D). Set Decorative Caps (I) aside.
5. Using the wire graph below, connect the appropriate wires from the fixture to the corresponding wires in the electrical junction box (not included) and secure Wire Connectors (C).



- A. Connect the ground wire (bare copper or green) from your fixture to the:
 - 1) ground wire in the junction box, or
 - 2) ground screw in the junction box
- B. Connect the BLACK house wire to fixture hot wire that corresponds to diagram (black, round & smooth, white/grey with tracer, brown/gold without tracer).
- C. Connect the WHITE house wire to fixture neutral wire that corresponds to diagram (white, ribbed/ridged, white/grey without tracer, brown/gold with tracer).

6. Place all wires and Wire Connectors (C) back into the junction box.

7. Place fixture against the ceiling, ensuring Canopy Screws (E) are protruding through the holes in Canopy (D). Secure the fixture in place to the Mounting Plate (A) with Decorative Caps (I).

Note: If fixture does not sit flush against the ceiling, remove fixture and readjust Canopy Screws (E) and hex nuts.

8. Install light bulbs (not included) into the sockets.

CHANDELIER

1. Secure bar Mounting Plate (A) to the junction box (not included) using Mounting Screws (B) provided. Ensure the attached Screw Collar Loop (E) is pointing down towards the floor.

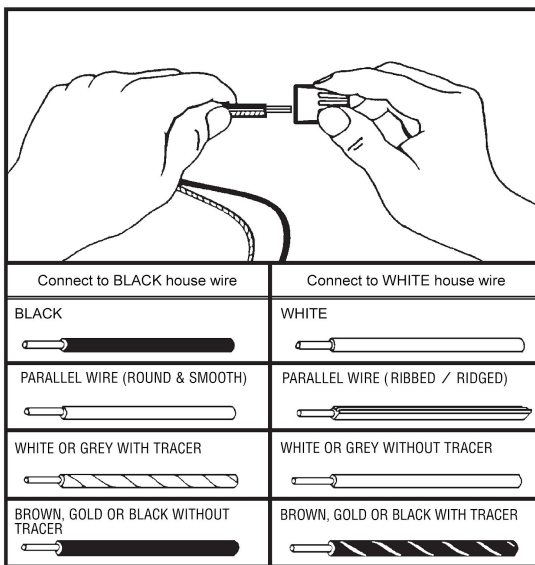
2. Remove Threaded Ring (J) from Screw Collar Loop (E) by unscrewing it in a counter-clockwise direction. Set Threaded Ring (J) aside.

3. Place Canopy (D) against the ceiling with Screw Collar Loop (E) protruding through the hole in Canopy (D). Adjust Screw Collar Loop (E) and the hex nut above it until 3/8" of the threaded portion of Screw Collar Loop (E) is visible. Remove Canopy (D) and set it aside.

4. Align holes on Socket Assembly (F) to holes on top of Shade (G). Secure Socket Assembly (F) to Shade (G) with Screws (H).

5. Secure Pendant Loop (L) to the top of Socket Assembly (F) by screwing it in a clockwise direction.

6. Assemble one end of Chain (K) to Pendant Loop (L) by carefully pulling apart the chain link and closing it around Pendant Loop (L) with chain pliers.
7. With chain pliers, remove excess Chain (K) to achieve desired hanging length. Once Chain (K) is to desired length, use wire cutters to cut Wire (M) 10" beyond the length of Chain (K) for easier wire connection.
8. Weave Wire (M) upwards through every 4-5 links in Chain (K).
9. Slide Threaded Ring (J) down Chain (K) and Wire (M) with the raised end (flange) facing up towards the ceiling. Slide Canopy (D) down Chain (K) and Wire (M).
Note: Threaded Ring (J) and Canopy (D) will be used to secure fixture to ceiling at a later step.
10. Open the top chain link with chain pliers and carefully lift the fixture (with the help of a friend). Close the chain link around Screw Collar Loop (E).
11. Insert the end of Wire (M) through the hole in Screw Collar Loop (E) into the junction box.
12. Using the wire graph below, connect the appropriate wires from the fixture to the corresponding wires in the electrical junction box (not included) and secure Wire Connectors (C).

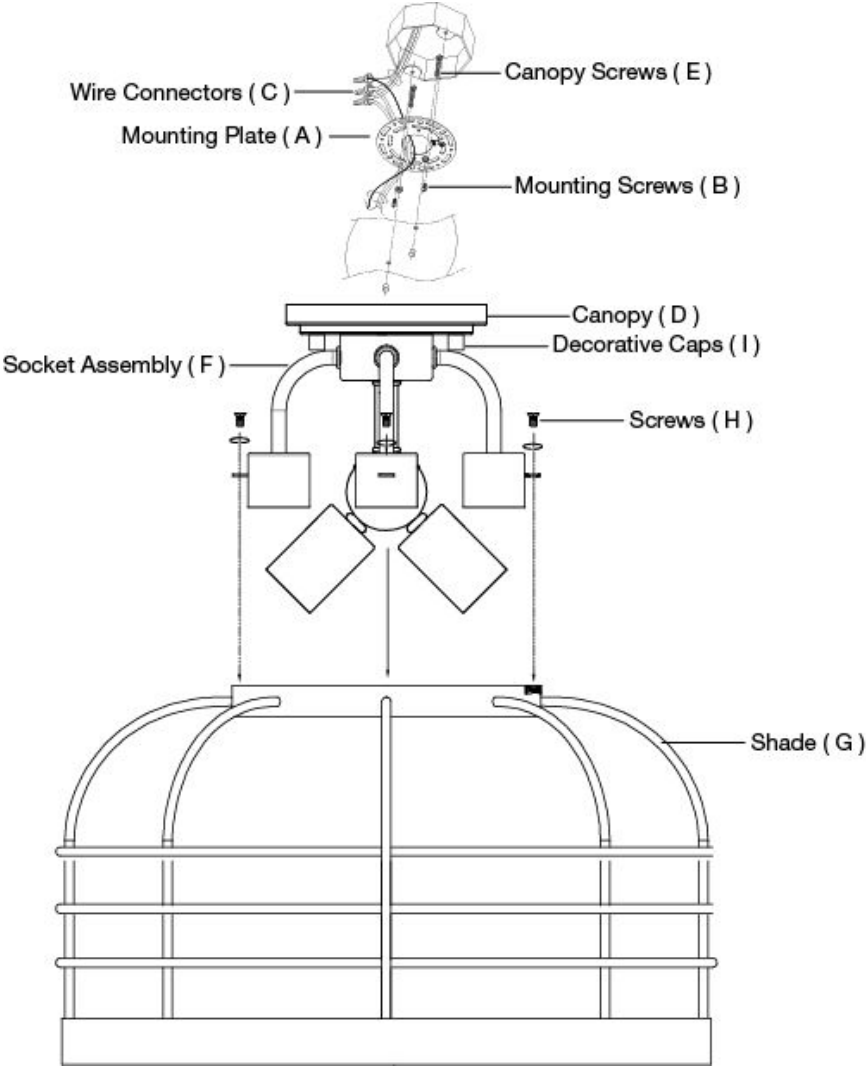


- A. Connect the ground wire (bare copper or green) from your fixture to the:
 - 1) ground wire in the junction box, or
 - 2) ground screw in the junction box
- B. Connect the BLACK house wire to fixture hot wire that corresponds to diagram (black, round & smooth, white/grey with tracer, brown/gold without tracer).
- C. Connect the WHITE house wire to fixture neutral wire that corresponds to diagram (white, ribbed/ridged, white/grey without tracer, brown/gold with tracer).

13. Place all wires and Wire Connectors (C) back into the junction box.
14. Slide Canopy (D) and Threaded Ring (J) up Chain (K) and Wire (M). Place Canopy (D) flush against the ceiling and secure in place by screwing Threaded Ring (J) onto Screw Collar Loop (E) in a clockwise direction.
15. Install light bulbs (not included) into the sockets.

Enjoy your new fixture!

HELPFUL TOOLS: Safety Goggles, Screwdriver, Wire Cutter/Stripper, Ladder, Measuring Tape



PARTS DIAGRAM (Chandelier)

HELPFUL TOOLS: Safety Goggles, Screwdriver, Wire Cutter/Stripper, Ladder, Chain Pliers

