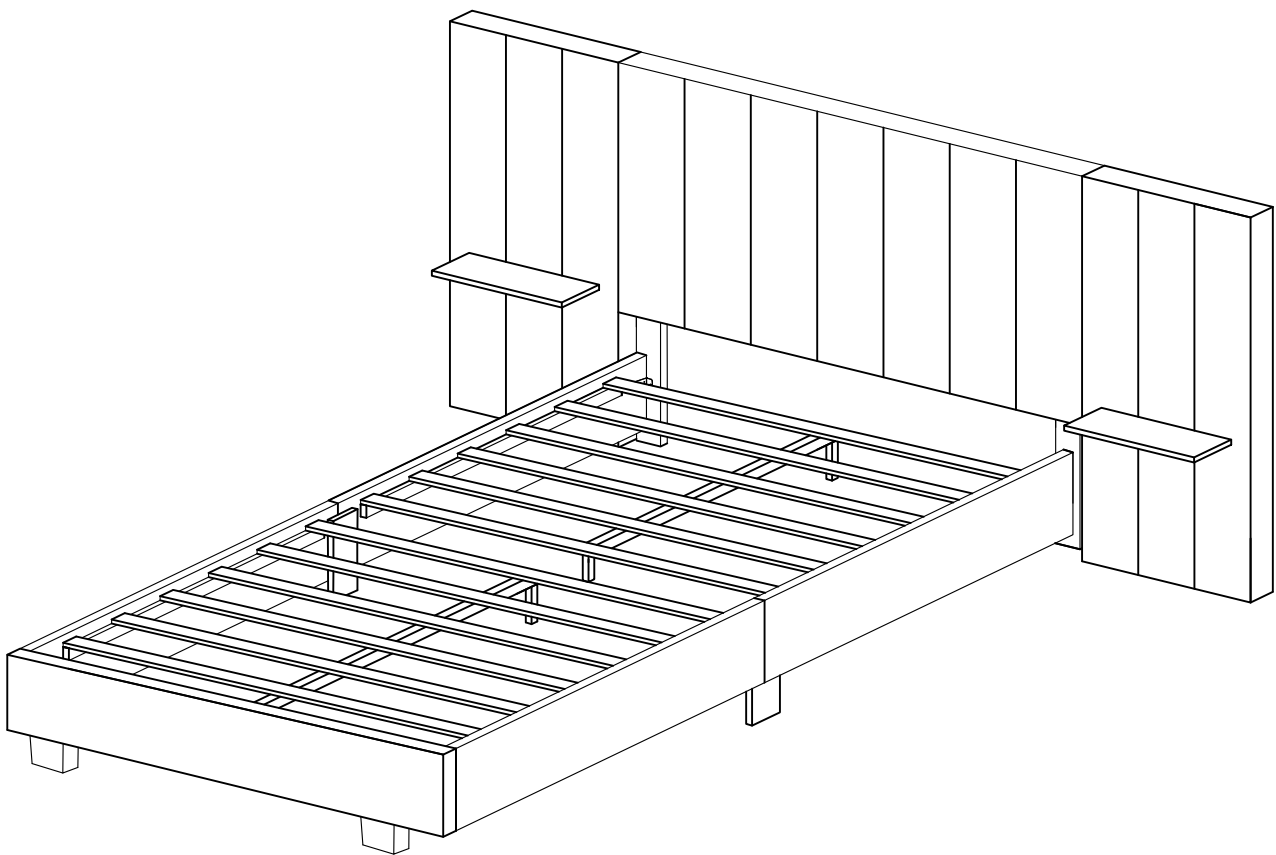
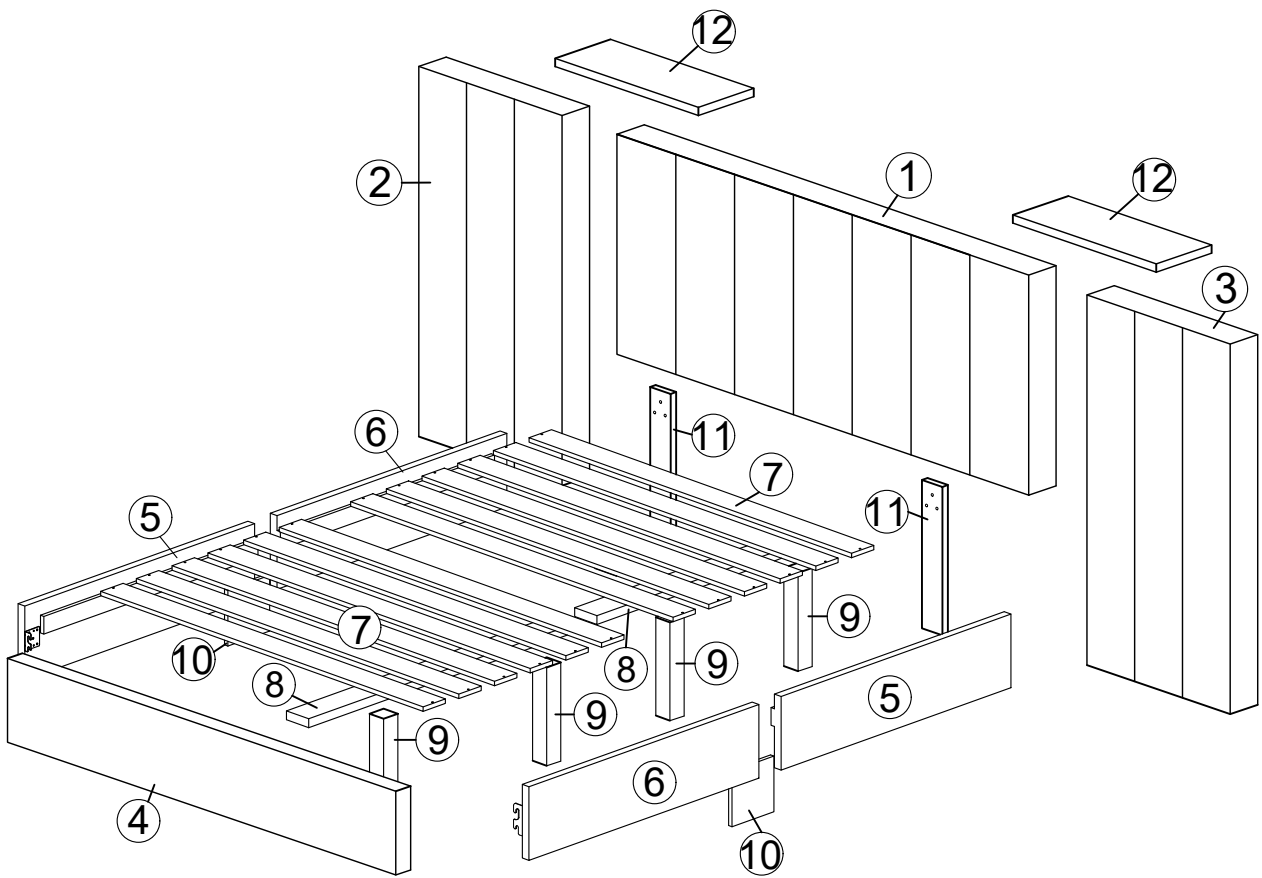


ASSEMBLY INSTRUCTION

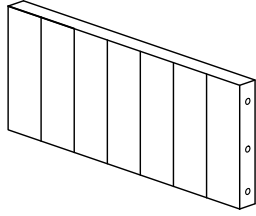


Detail :



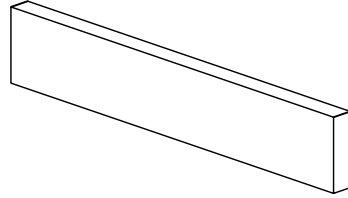
Part List

① x1



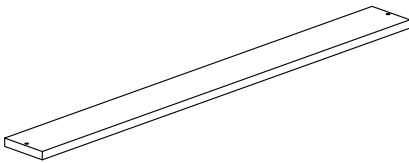
Head Board

④ x1



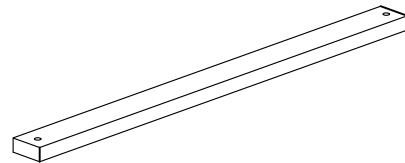
Foot Board

⑦ x12



LVL Slats

⑧ x2



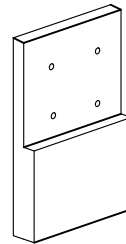
Center Slats

⑨ x4



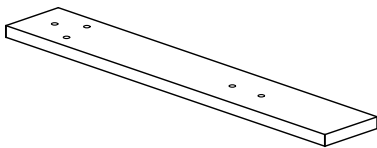
Center Legs

⑩ x2



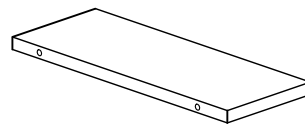
Side Support Legs

⑪ x2



Headboard Support Legs

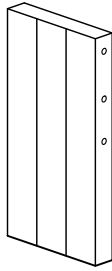
⑫ x2



Shelf

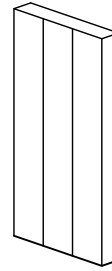
Part List

② x1



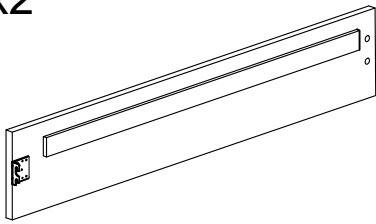
Wings Bed

③ x1



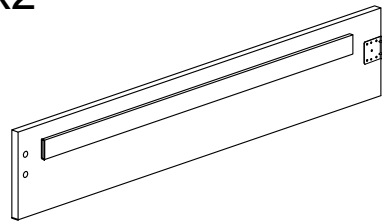
Wings Bed

⑤ x2





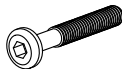



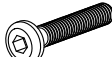
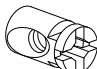
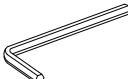


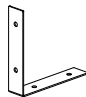
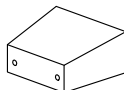
Side Rail

⑥ x2



Side Rail

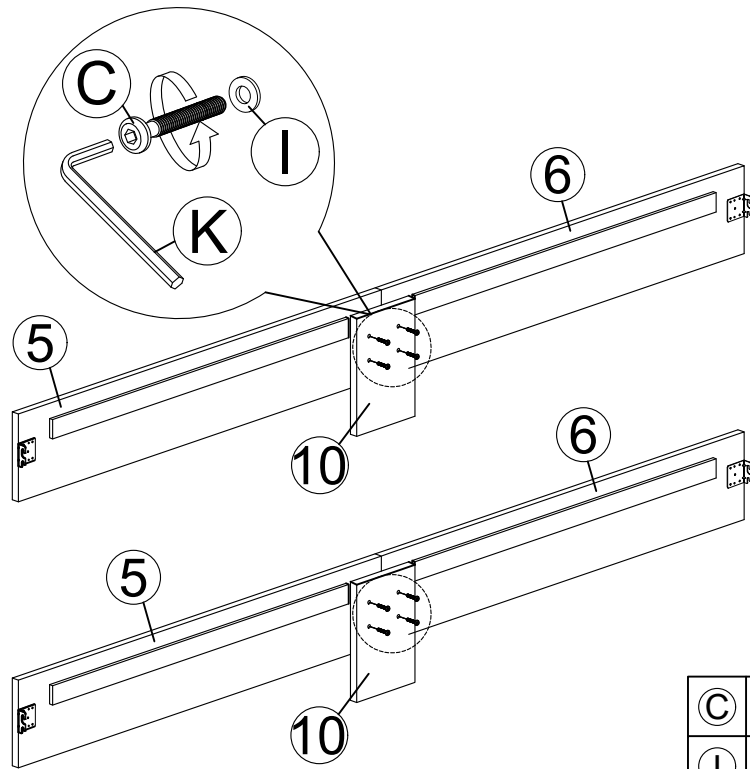
Part List

No	OUTLOOK	DESC	QTY
(A)		M4x28mm Screw	24
(B)		M4x20mm Screw	8
(C)		JCBC M6x30mm	20
(D)		JCBC M6x45mm	4
(E)		JCBC M6x50mm	4
(F)		JCCA M6x50mm	4
(G)		JCBB M8x20mm	8
(H)		Barrel Nut	4
(I)		L Key M4 x 100mm	1
(J)		L Key M5 x 70mm	1
(K)		Flat Washer M6x19	24
(L)		L Bracket	2
(M)		Plastic Leg	2

ASSEMBLY TOOLS REQUIRED (NOT INCLUDED)

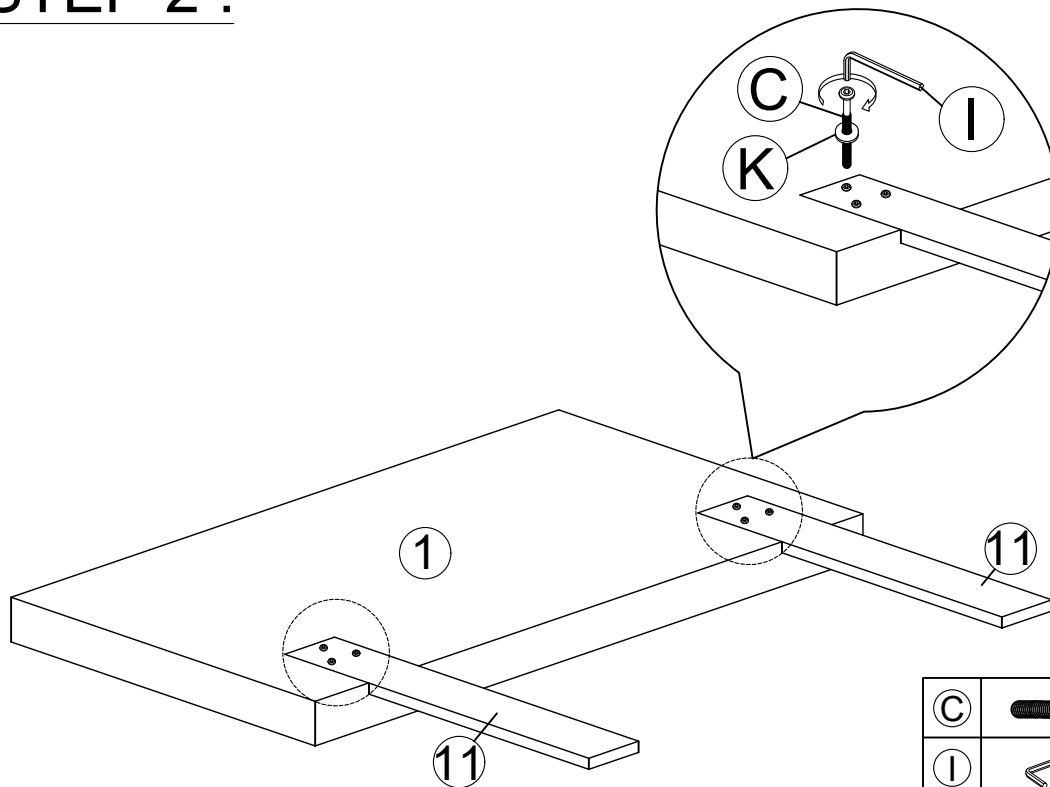


STEP 1 :



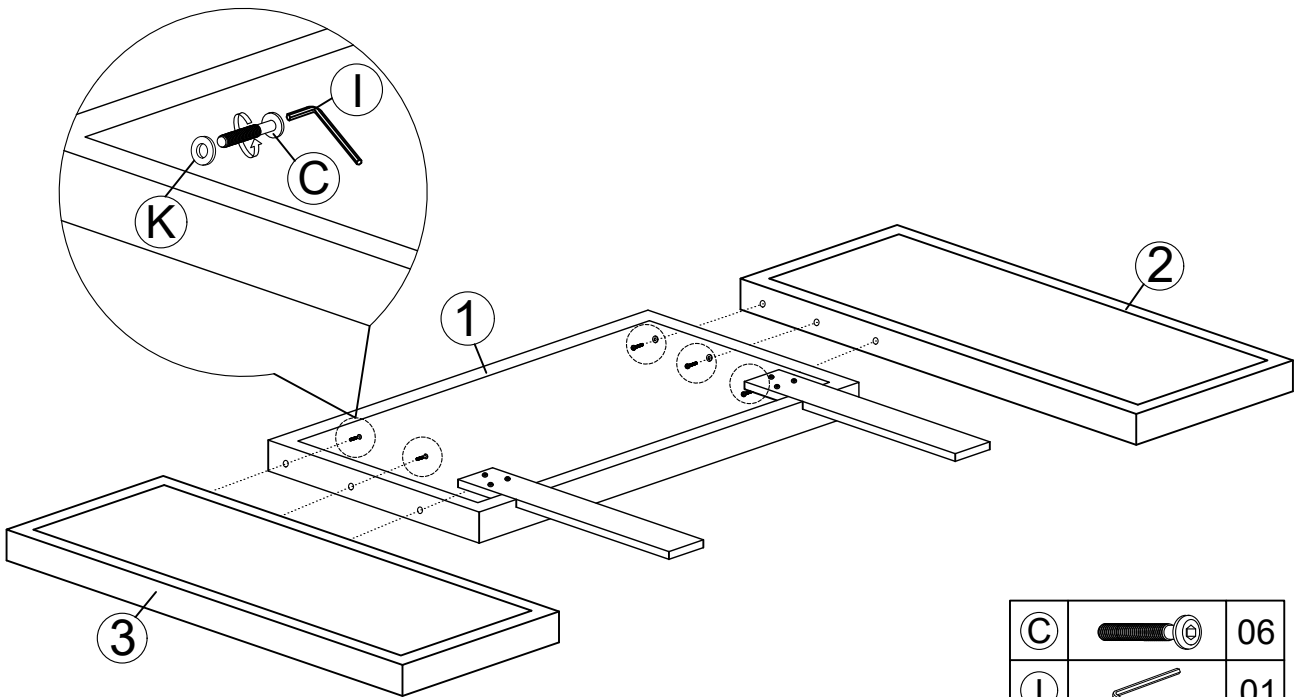
C		08
I		01
K		08

STEP 2 :



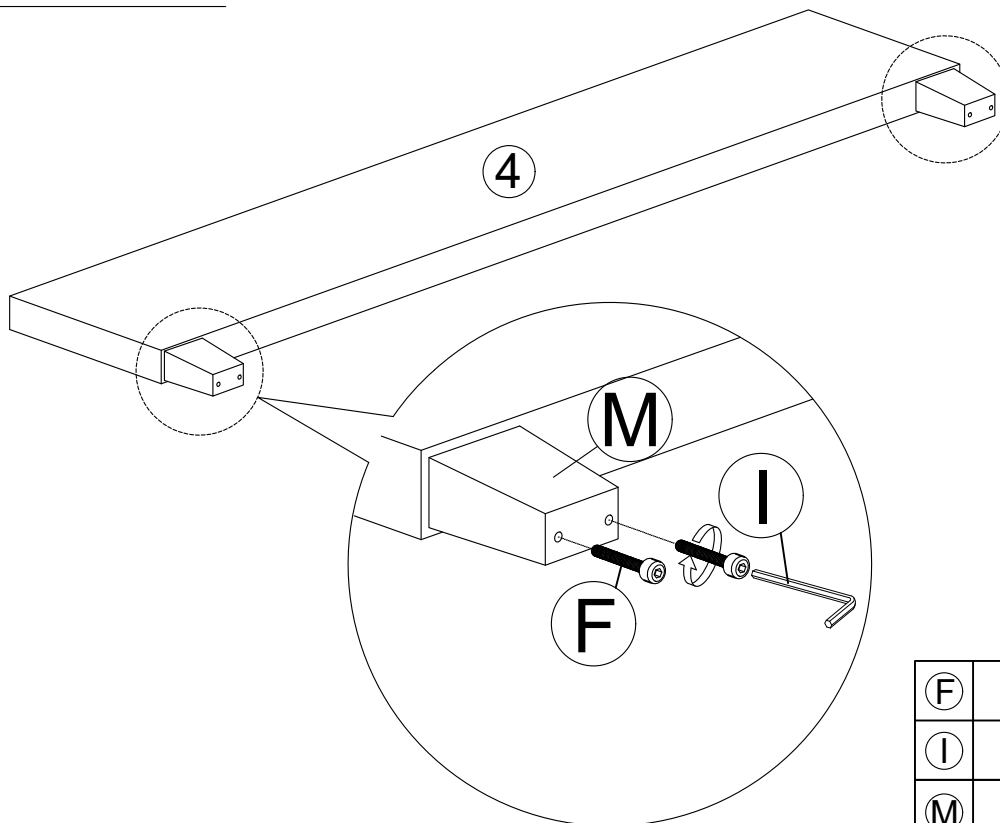
C		06
I		01
K		06

STEP 3 :



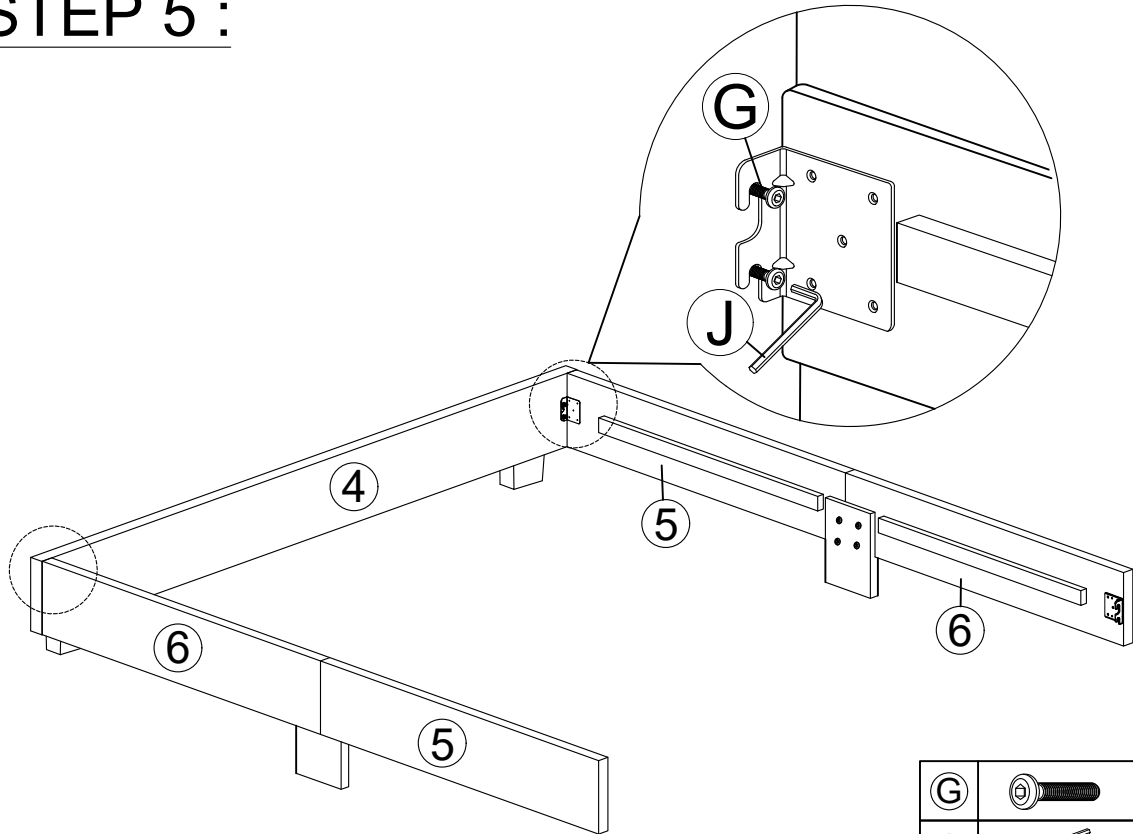
(C)		06
(I)		01
(K)		06



STEP 4 :



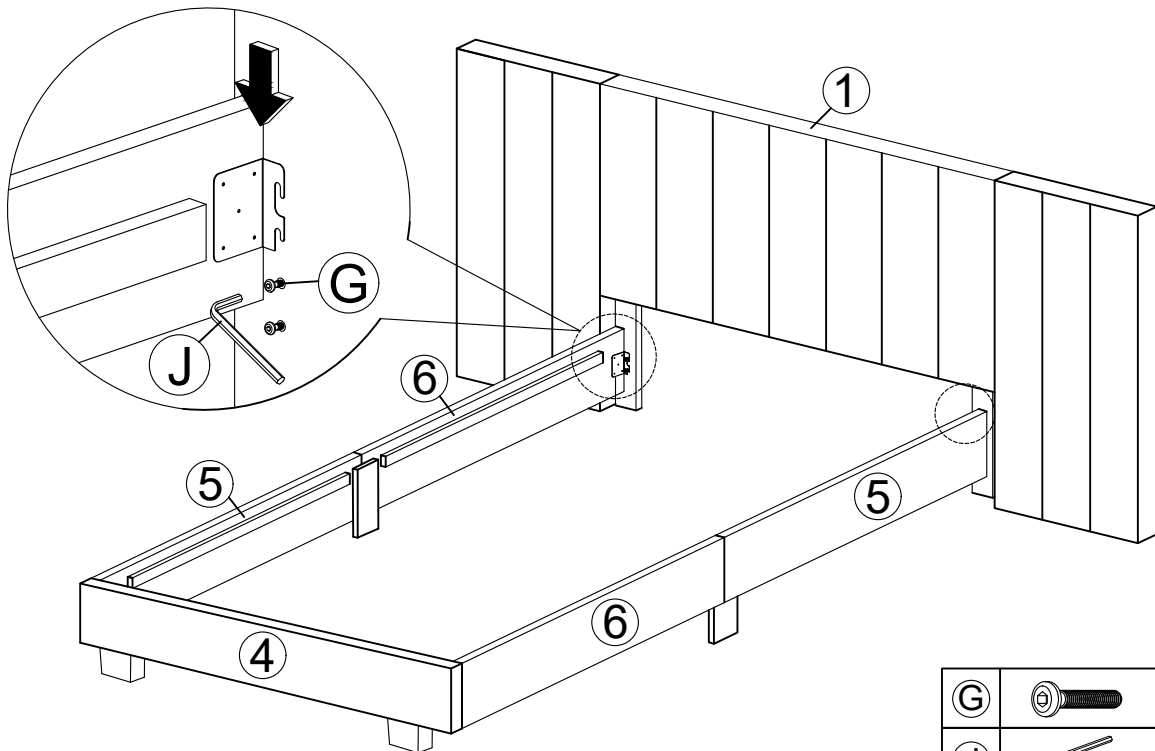
(F)		04
(I)		01
(M)		02



STEP 5 :



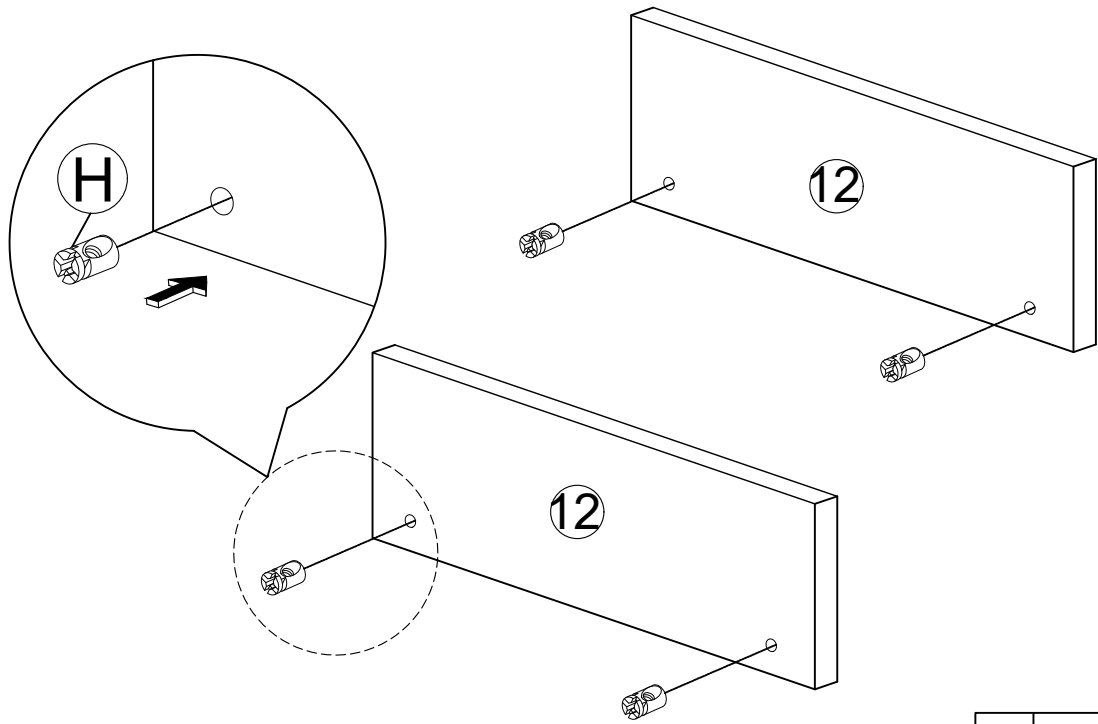
G		04
J		01


STEP 6 :



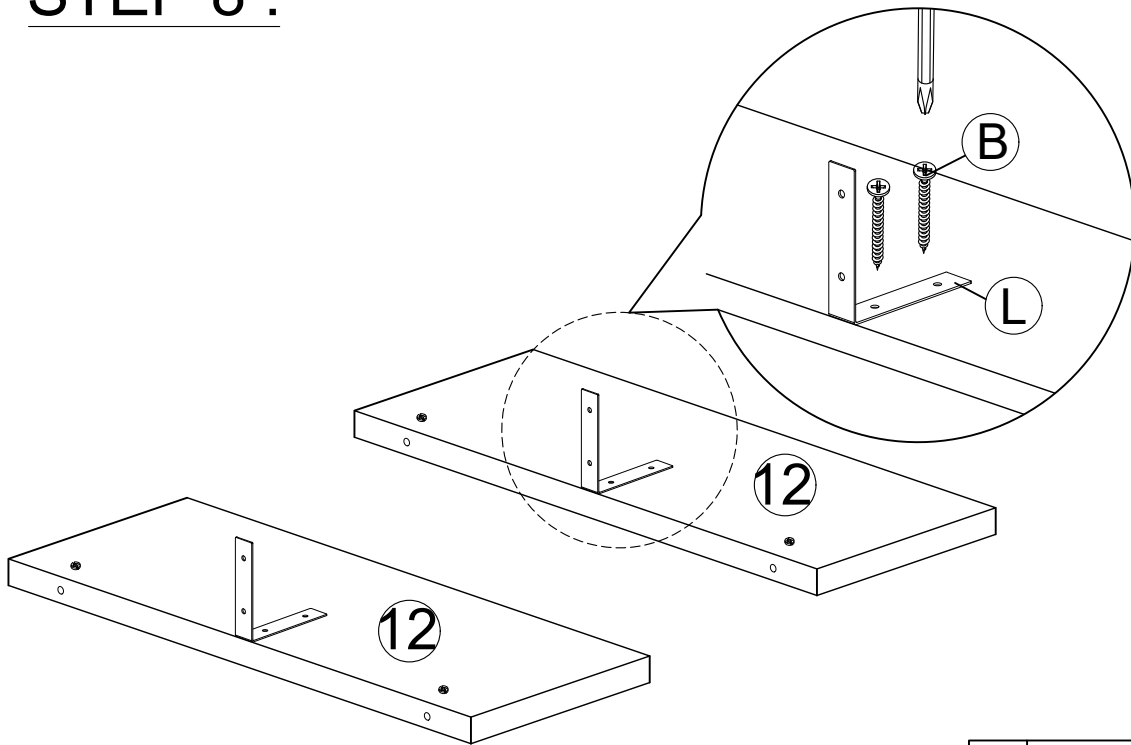
G		04
J		01



STEP 7 :




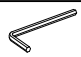

(H)		04
-----	---	----

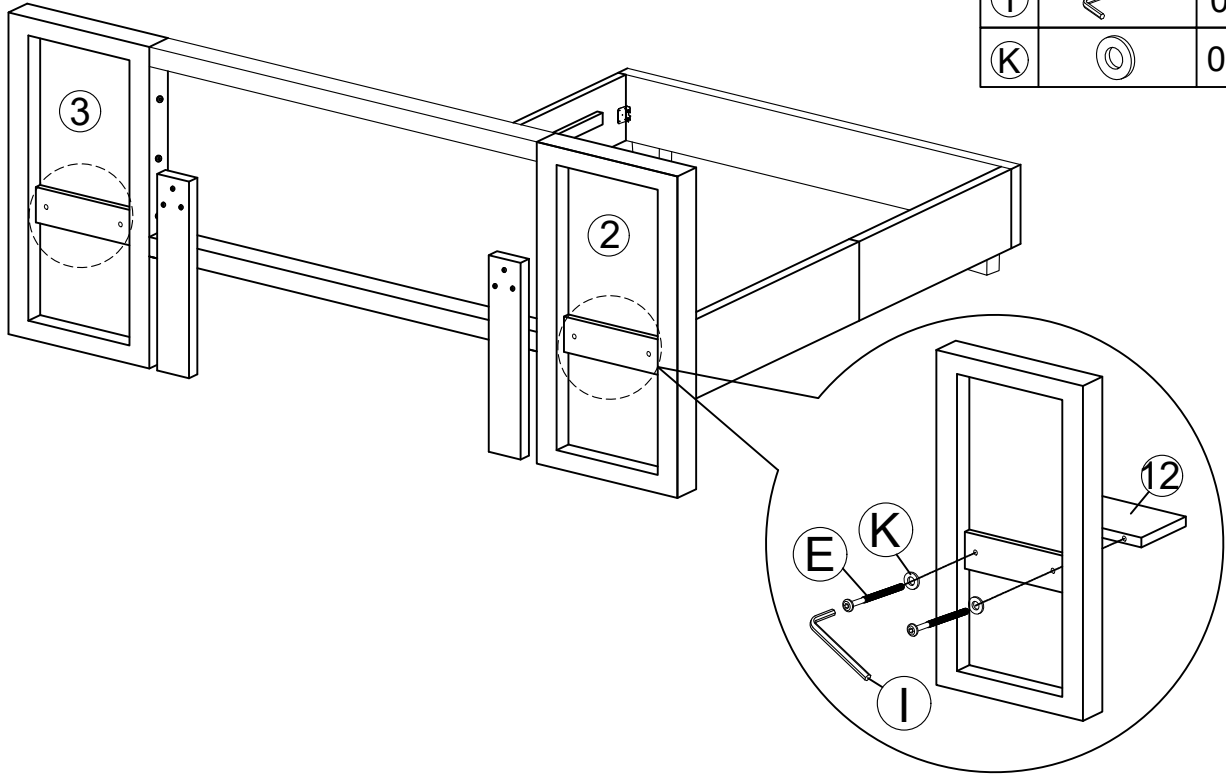
STEP 8 :



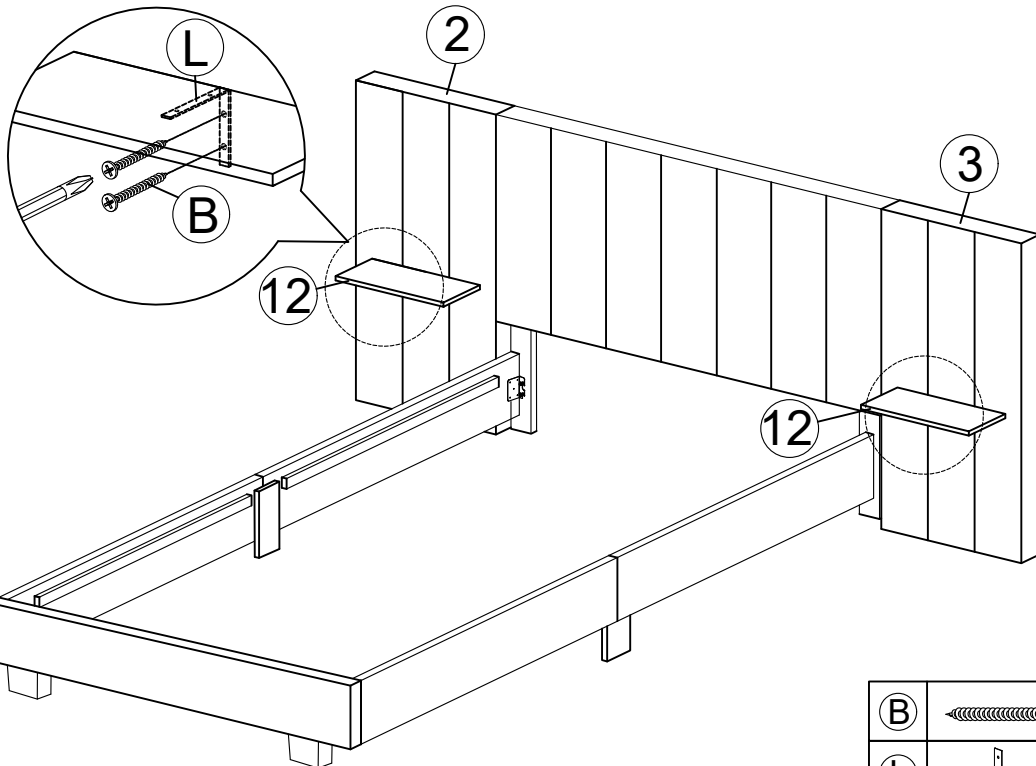
(B)		04
(L)		02



STEP 9 :

(E)		04
(I)		01
(K)		04

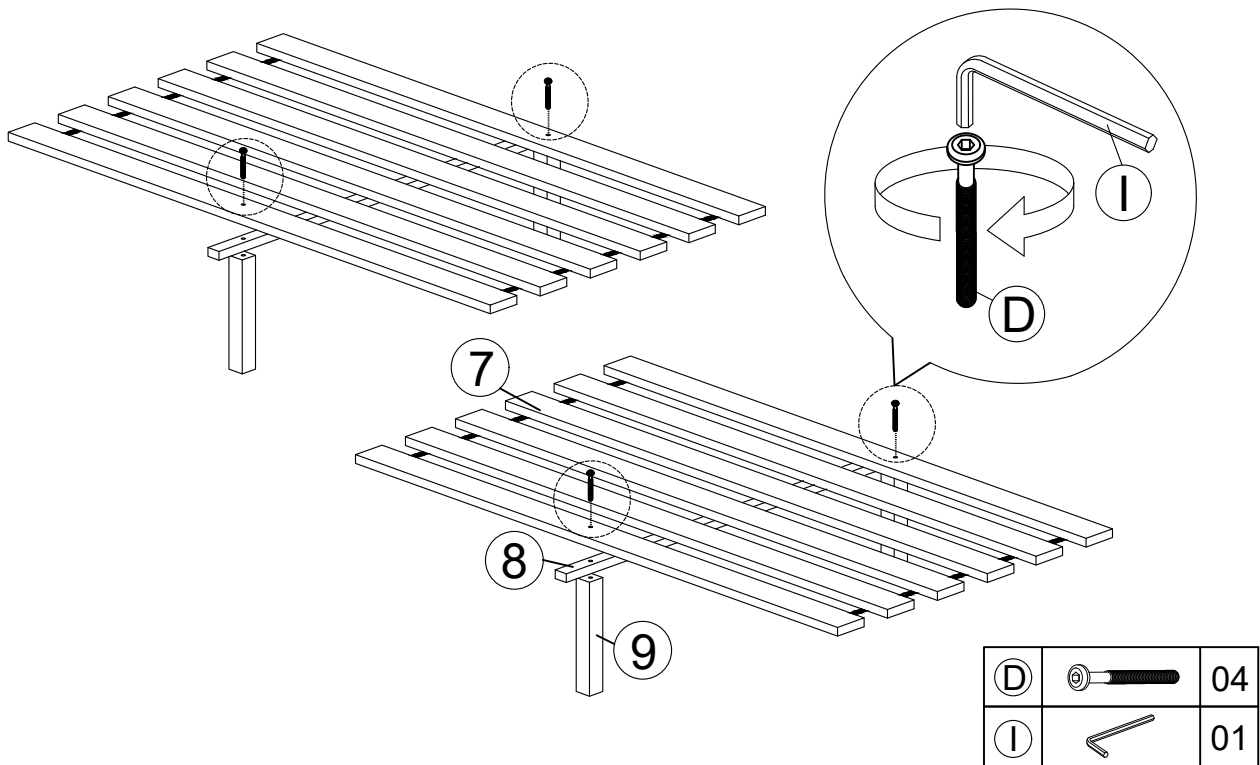


STEP 10 :



(B)		04
(L)		02

STEP 11 :



STEP 12 :

