




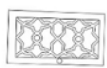










We value your feedback and want to hear from you. To let us know how we can improve your shopping experience, or to ask a specific question about your order, please find our contact information below.



Assembly Instructions

Laying out all the parts and hardware and identifying each part as shown may help you assemble the table.

ITEM	PART	QTY	ITEM	PART	QTY	ITEM	PART	QTY	ITEM	PART	QTY	ITEM	PART	QTY
A	 Table Top	1	B	 Right Panel	1	C	 Left Panel	1	D	 Back Panel	1	E	 Bottom Panel	1
F	 Door Panel	1	G	 Shelf Panel	1									
H1	 8*30mm	8	H2	 Flat Washer	8	H3	 Hinge Pin	2	H4	 Handle	1	H5	 Levelling Foot	4
H6	 4*22mm	1	H7	 Allen Wrench	1									

NOTE: Using wrong sized screws will cause permanent damage.

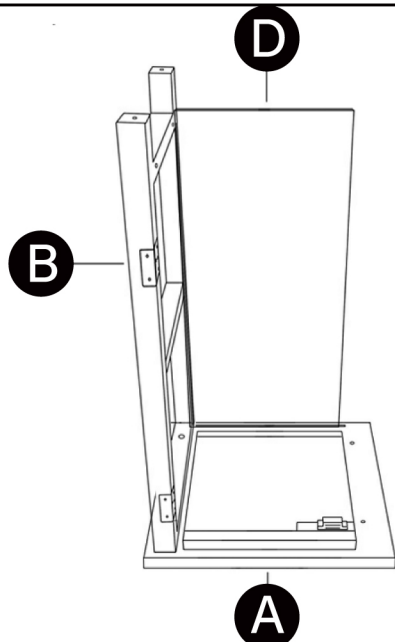
NOTE: Do NOT fully tighten the screws until the frame panels are properly attached.



WARNING

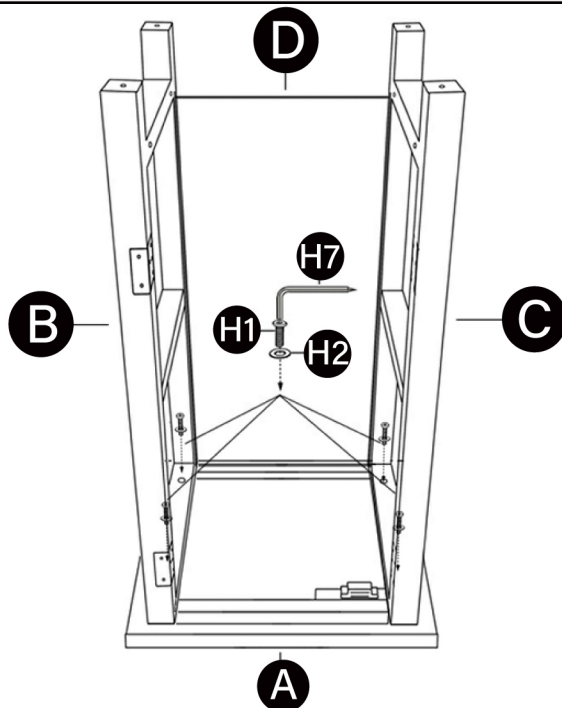
- Do not dispose of any packaging or contents of the shipping carton until assembly is completed to avoid accidentally discarding small parts or hardware.
- Choking Hazard – Adult assembly required. It may contain small parts and sharp points.
- Do NOT use power tools.
- This product can hold a maximum load of 25 Lbs. Do NOT overload.

STEP 1



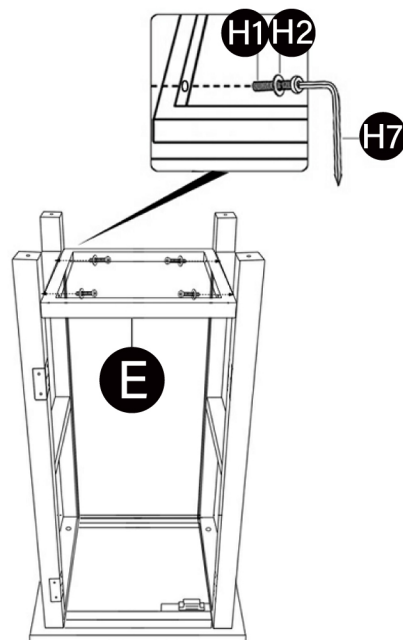
Attach right panel B to table top A using H1 (8*30mm) screws. Insert back panel D in the slot.

STEP 2



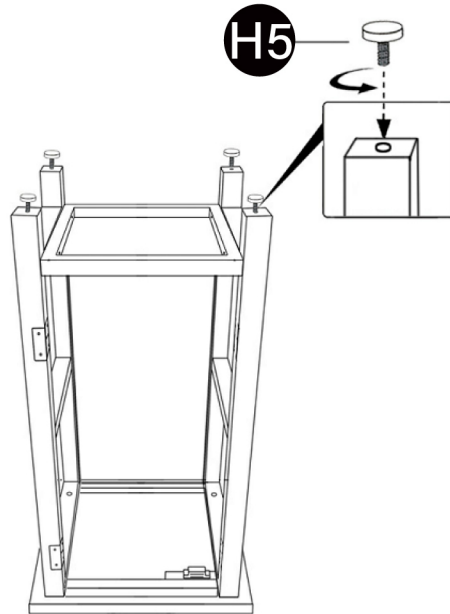
Attach left panel C to table top A using H1(8*30mm) screws w/ back panel D tucked in place. Both hinges and magnet should face front.

STEP 3



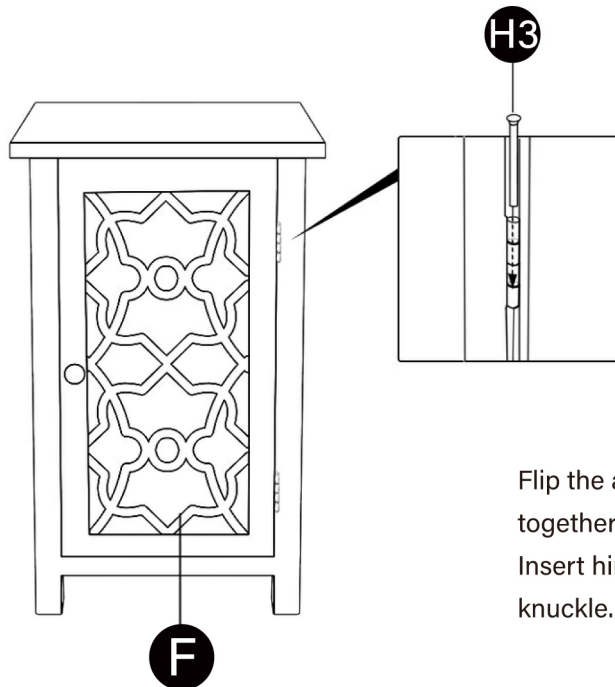
Attach bottom panel E to side panels using H1(8*30mm) screws. Tighten all screws in step 1 through 3.

STEP 4



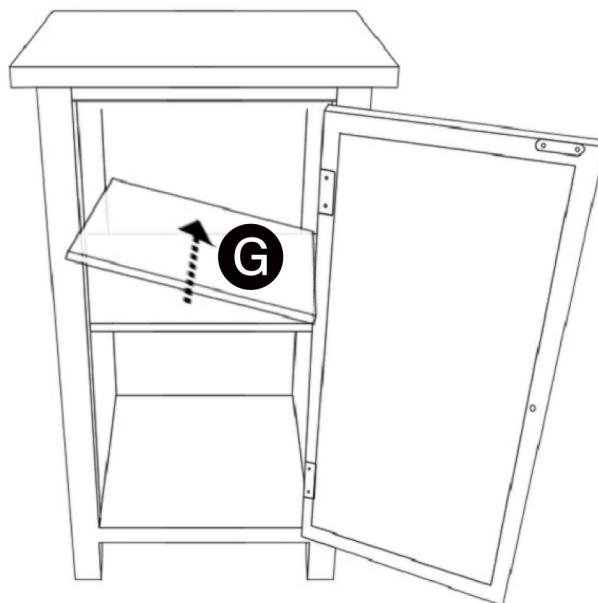
Screw in levelling feet and adjust as needed.

STEP 5



Flip the assembly. Align the hinge leaves together on door panel H and right panel B. Insert hinge pin H3 through the hollow knuckle.

STEP 6



Properly sit atop shelf panel G.

STEP 7

Attach door handle H4 to door panel using H6(4*22mm) screws.

