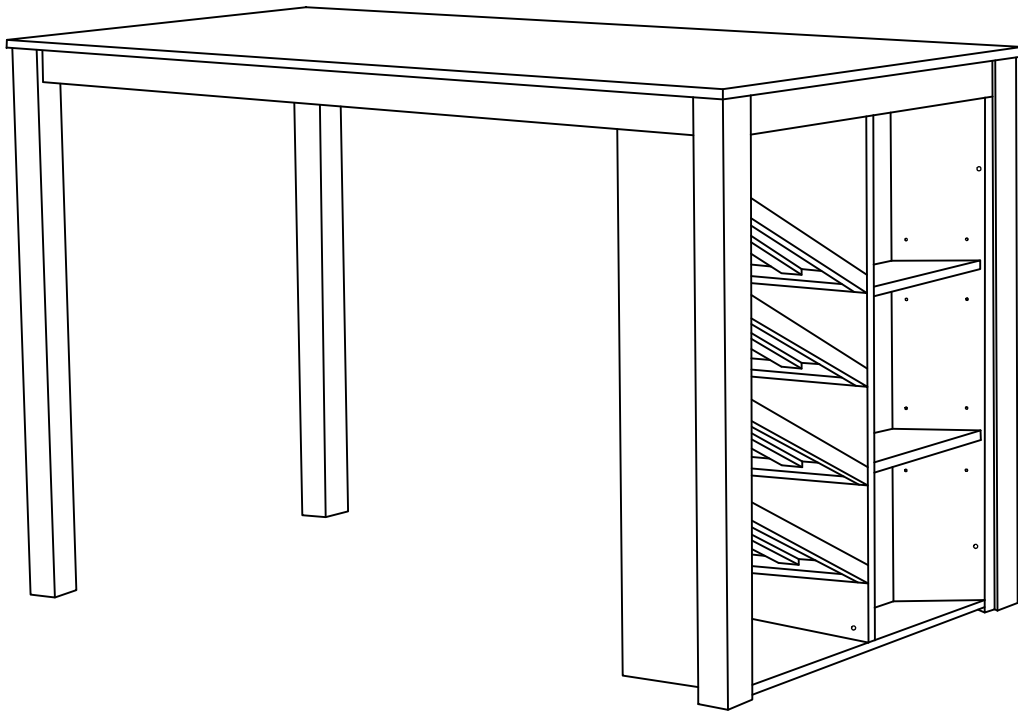


# ASSEMBLY INSTRUCTIONS

**Item No : N717P175956**

**Description : DINING TABLE**

Thank you for purchasing this quality product. Be sure to check all packing material carefully for small part that may have come loose inside the carton during shipment.



# N717P175956

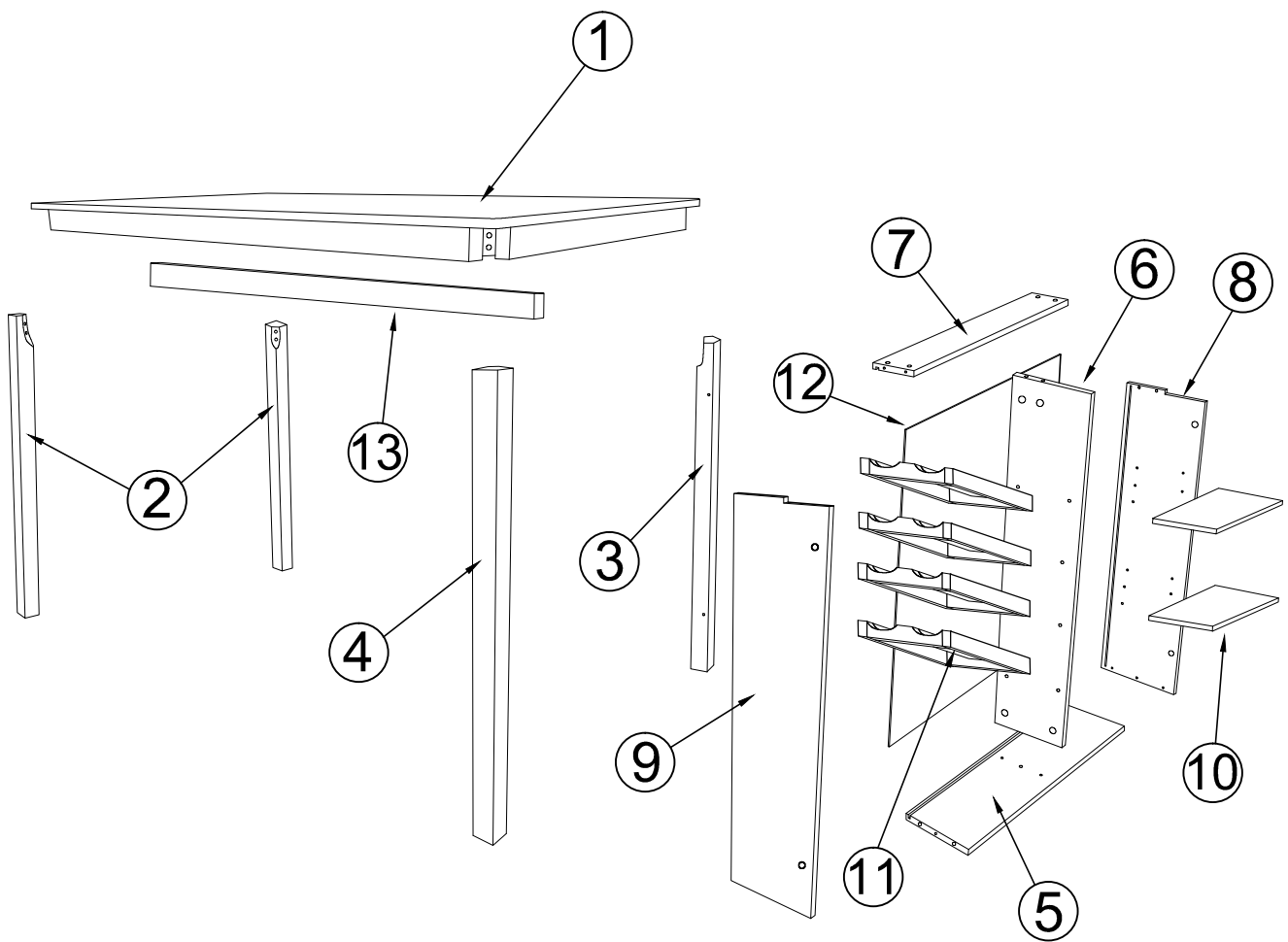
# ASSEMBLY INSTRUCTIONS

Item No : N717P175956

Description : DINING TABLE

Thank you for purchasing this quality product. Be sure to check all packing material carefully for small part that may have come loose inside the carton during shipment.

## PARTS LIST:







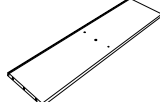
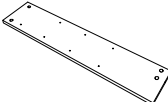
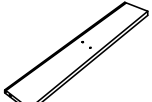
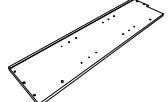
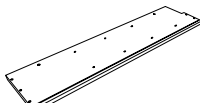

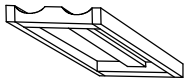
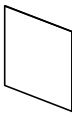
# ASSEMBLY INSTRUCTIONS

**Item No : N717P175956**











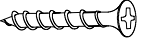
**Description : DINING TABLE**

Thank you for purchasing this quality product. Be sure to check all packing material carefully for small part that may have come loose inside the carton during shipment.

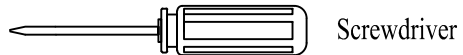
## PART LIST :

| NO. | DESCRIPTION     | SKETCH  | QTY. |
|-----|-----------------|---|------|
| 1   | TABLE TOP       |    | 1PC  |
| 2   | TABLE LEG (1)   |    | 2PCS |
| 3   | TABLE LEG (2)   |    | 1PC  |
| 4   | TABLE LEG (3)   |    | 1PC  |
| 5   | BOTTOM PANEL    |  | 1PC  |
| 6   | CENTER PANEL    |  | 1PC  |
| 7   | TOP PANEL       |  | 1PC  |
| 8   | SIDE PANEL (R)  |  | 1PC  |
| 9   | SIDE PANEL (L)  |  | 1PC  |
| 10  | SHELF PANEL (R) |  | 2PCS |
| 11  | SHELF PANEL (L) |  | 4PCS |
| 12  | BACK PANEL      |  | 1PC  |

## HARDWARE LIST :

| NO. | DESCRIPTION    | SKETCH  | SIZE  | QTY.  |
|-----|----------------|---|-------|-------|
| A   | JCBB SCREW     |    | M8*70 | 8PCS  |
| B   | SPRING WASHER  |    | 5/16" | 8PCS  |
| C   | FLAT WASHER    |    | 5/16" | 8PCS  |
| D   | CAM LOCK       |   | 12mm  | 12PCS |
| E   | CAM LOCK DOWEL |  | M6*34 | 12PCS |
| F   | WOOD DOWEL     |  | M8*30 | 3PCS  |
| G   | JCBC SCREW     |  | M6*30 | 4PCS  |
| H   | SHELF PIN      |  | 5/16  | 24PCS |
| I   | ALLEN KEY      |  | M5    | 1PC   |
| J   | ALLEN KEY      |  | M4    | 1PC   |
| K   | CSK SCREW      |  | M4*32 | 6PCS  |

## TOOLS REQUIRED (Not provided)



Screwdriver

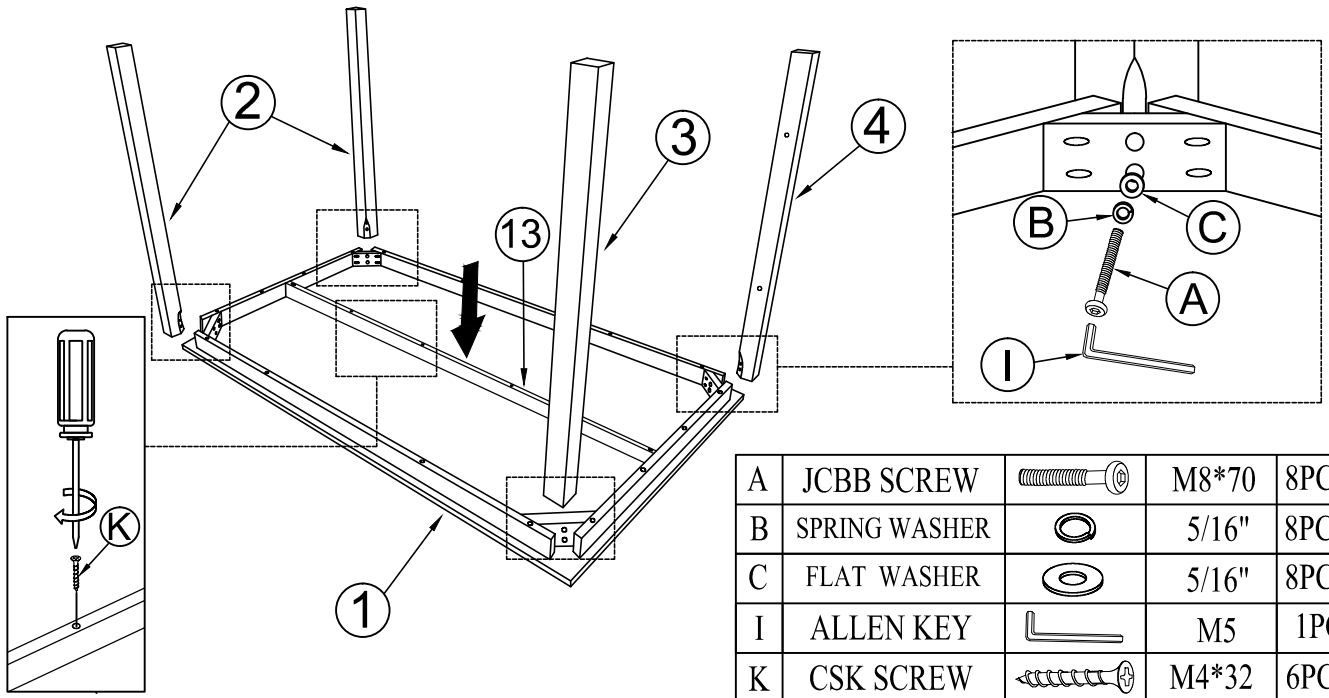
# ASSEMBLY INSTRUCTIONS

Item No : N717P175956

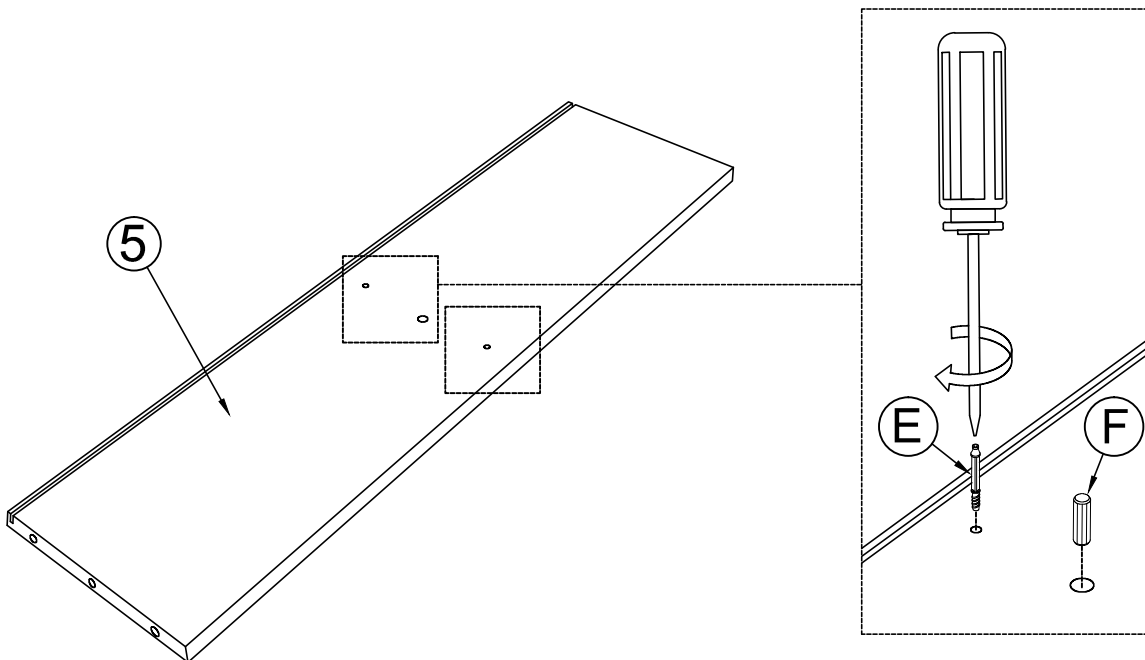
Description : DINING TABLE



Thank you for purchasing this quality product. Be sure to check all packing material carefully for small part that may have come loose inside the carton during shipment.

Step 1 : Slide Table Leg 1 (2), Table Leg 2 (3) and Table Leg 3 (4) into place and attach to Table Top (1) using Flat washer (C), Spring Washer (B) and JCBB Screw (A). Tighten JCBB Screw (A) with Allen Key M5 (I). Next, place Top Support (13) to bottom Table Top (1) at the marked place and secure with Csk Screw (K) with screwdriver.



Step 2 : Screw Cam lock Dowel (E) to Bottom Panel (5) and Insert Wood Dowel (F) to Bottom Panel (5).



|   |                |   |       |      |
|---|----------------|---|-------|------|
| E | CAM LOCK DOWEL |  | M6*34 | 2PCS |
| F | WOOD DOWEL     |  | M8*30 | 1PC  |

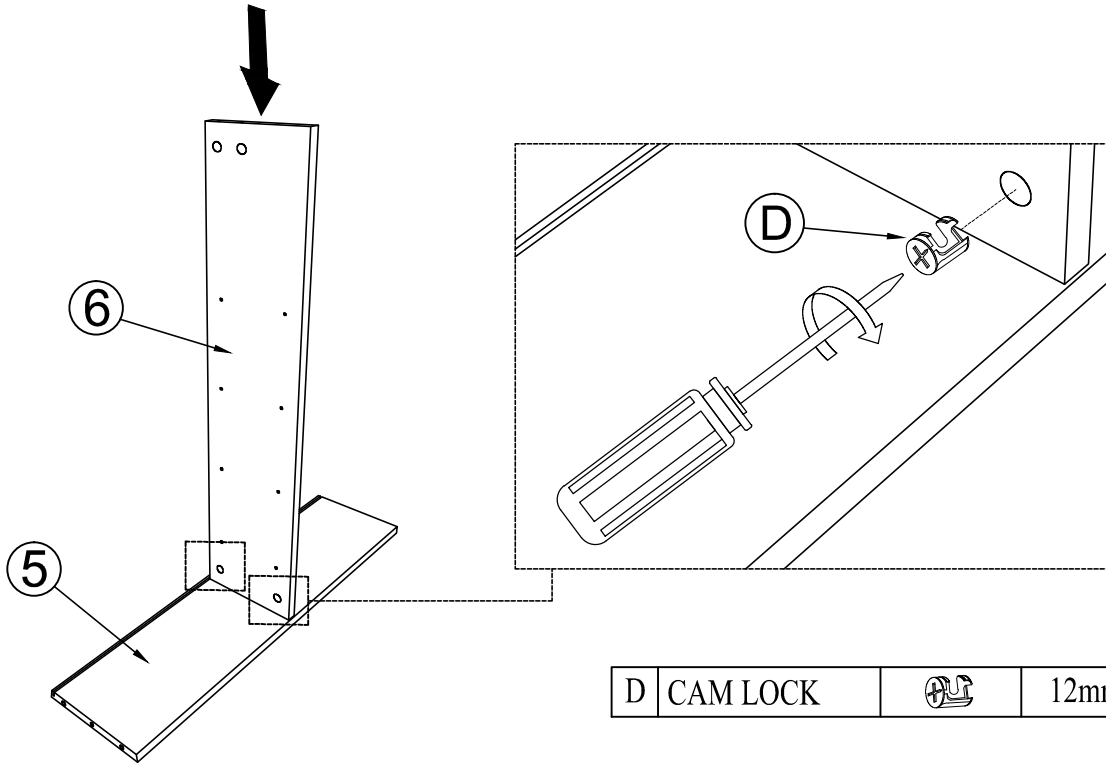
# ASSEMBLY INSTRUCTIONS

Item No : N717P175956

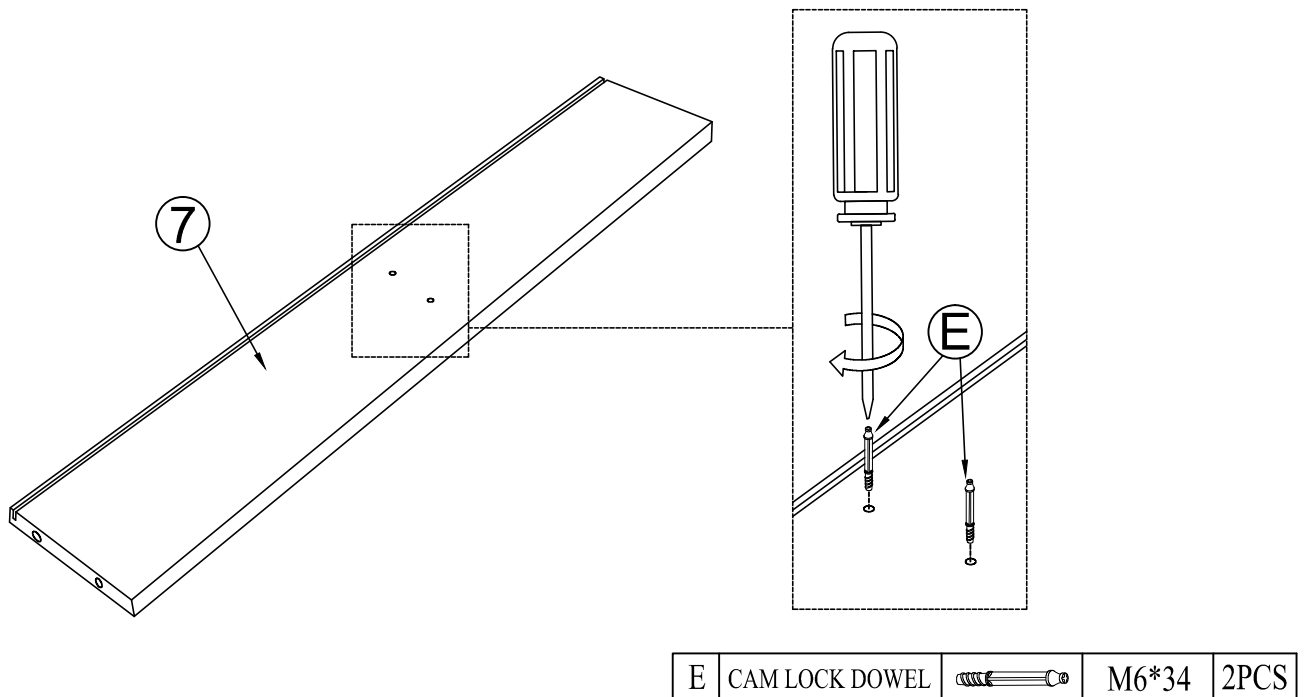
Description : DINING TABLE

Thank you for purchasing this quality product. Be sure to check all packing material carefully for small part that may have come loose inside the carton during shipment.

Step 3 : Assembly Center Panel (6) to Bottom Panel (5) and secure using Cam Lock (D). Tighten with Screwdriver.



Step 4 : Screw Cam Lock Dowel (E) to Top Panel (7).



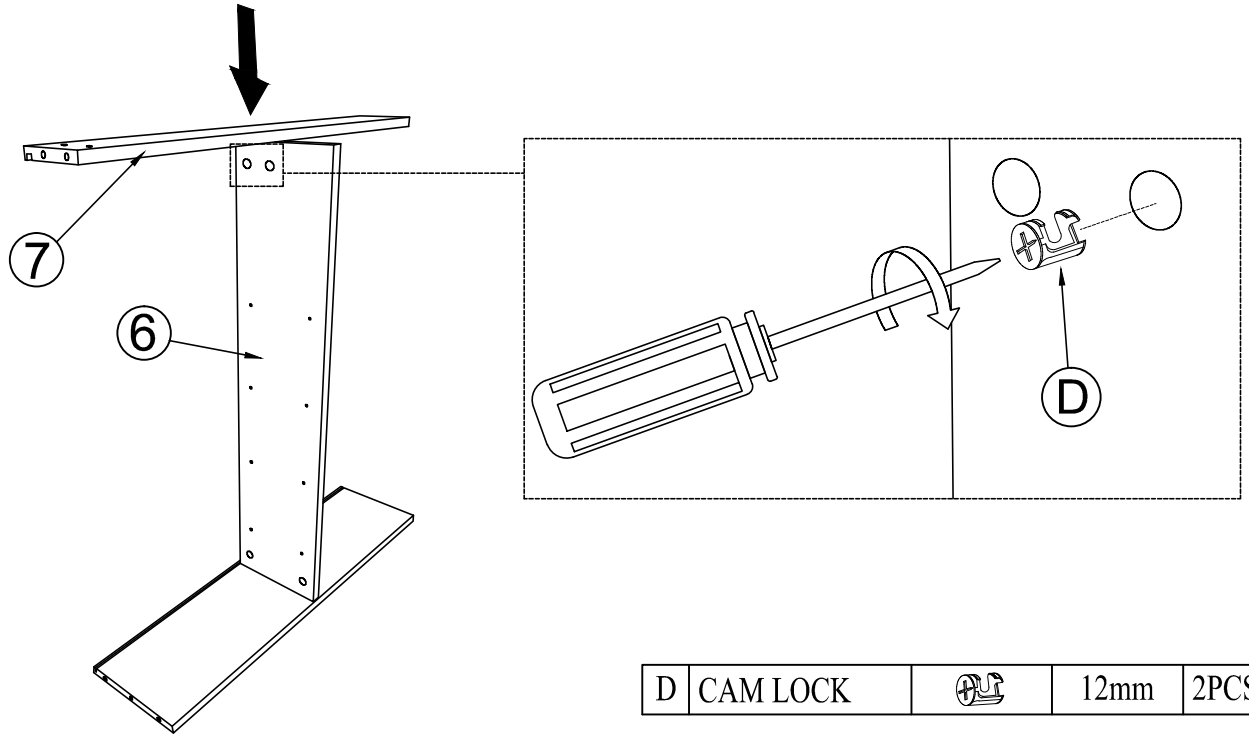
# ASSEMBLY INSTRUCTIONS

Item No : N717P175956

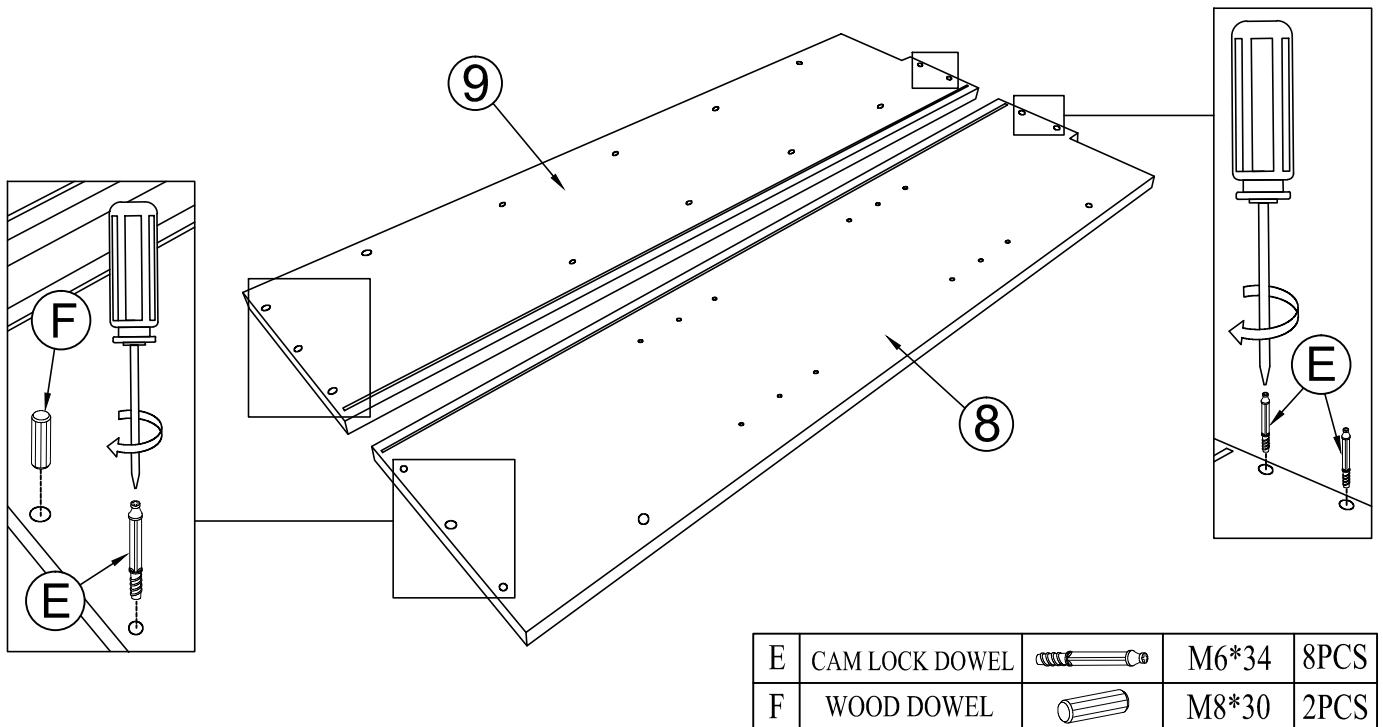
Description : DINING TABLE

Thank you for purchasing this quality product. Be sure to check all packing material carefully for small part that may have come loose inside the carton during shipment.

Step 5 : Assembly Top Panel (7) to Center Panel (6) and secure using Cam Lock (D). Tighten with Screwdriver.



Step 6 : Screw Cam lock Dowel (E) and insert Wood Dowel (F) to Side Panel R (8) and Side Panel L (9).



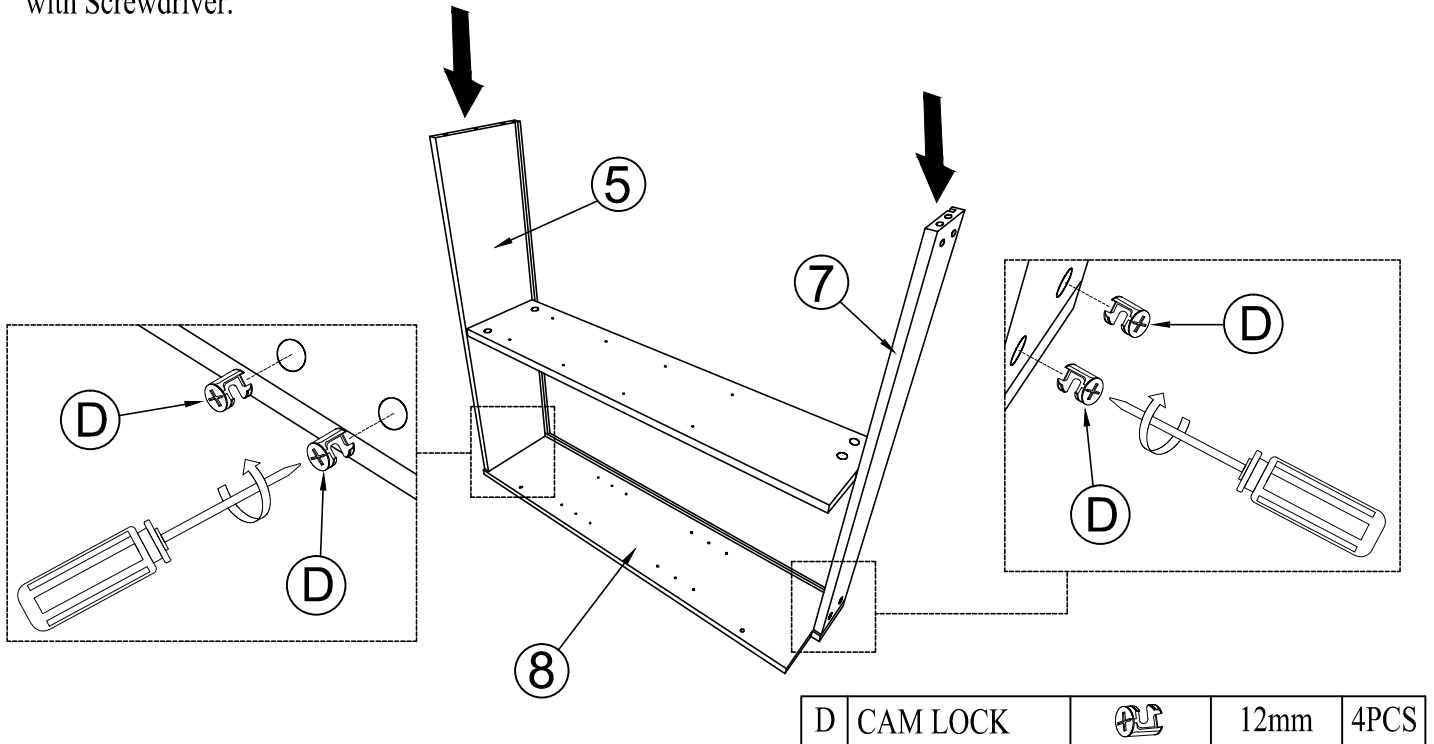
# ASSEMBLY INSTRUCTIONS

Item No : N717P175956

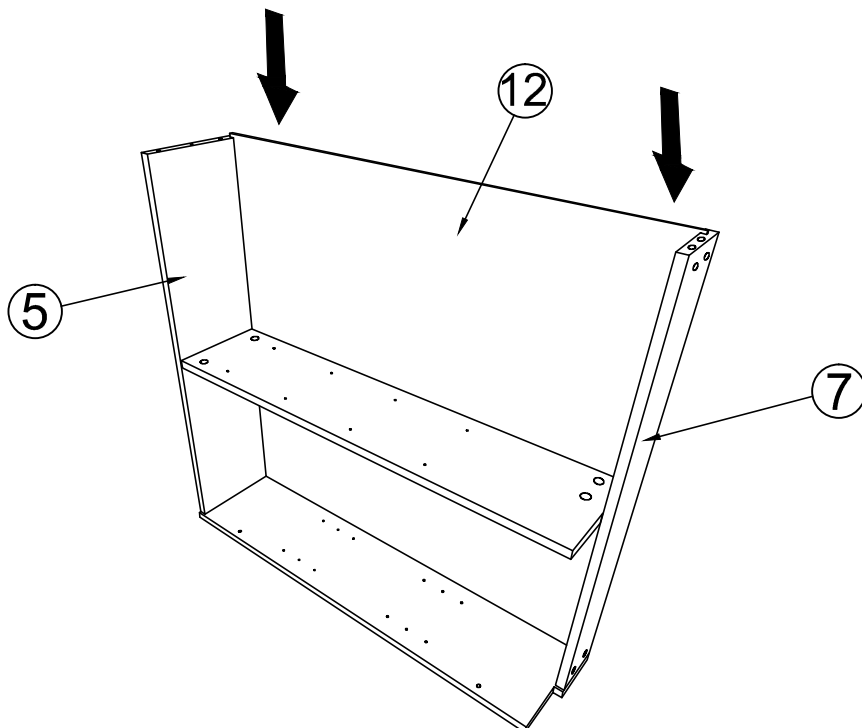
Description : DINING TABLE

Thank you for purchasing this quality product. Be sure to check all packing material carefully for small part that may have come loose inside the carton during shipment.

Step 7 : Assembly Bottom Panel (5) and Top Panel (7) to Side Panel R (8) and secure using Cam Lock (D). Tighten with Screwdriver.



Step 8 : Slide Back Panel (12) into the place between Bottom Panel (5) and Top Panel (7).



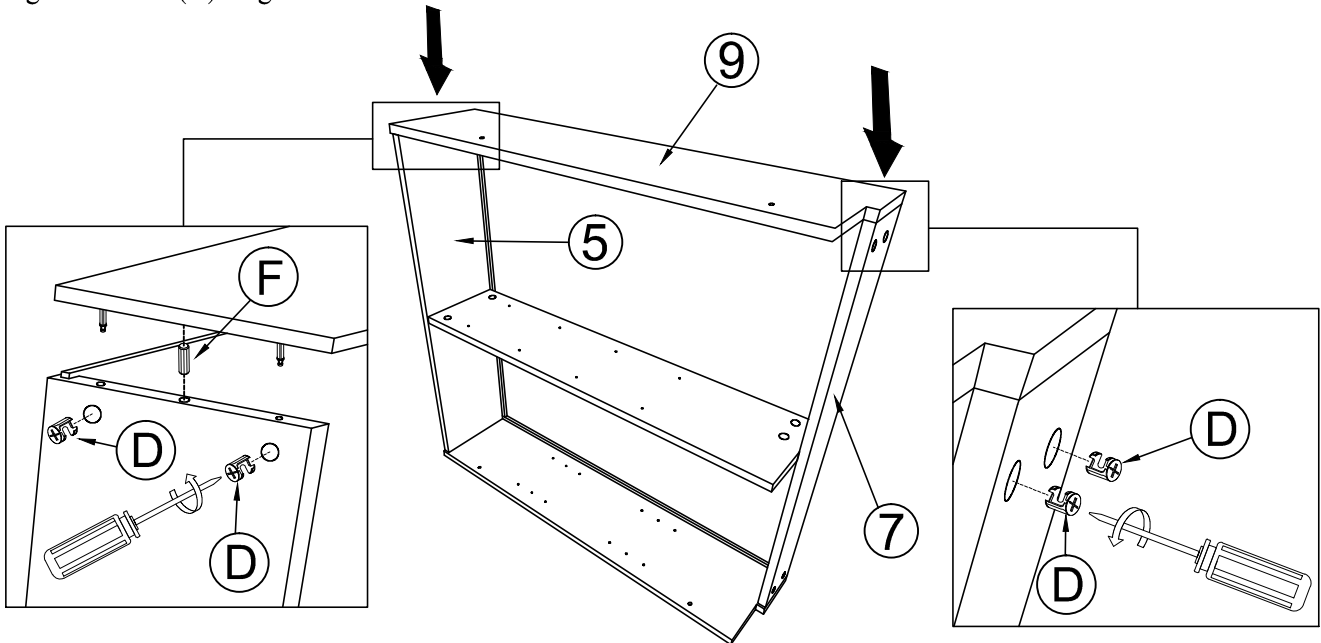
## ASSEMBLY INSTRUCTIONS


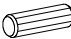
**Item No : N717P175956**

**Description : DINING TABLE**

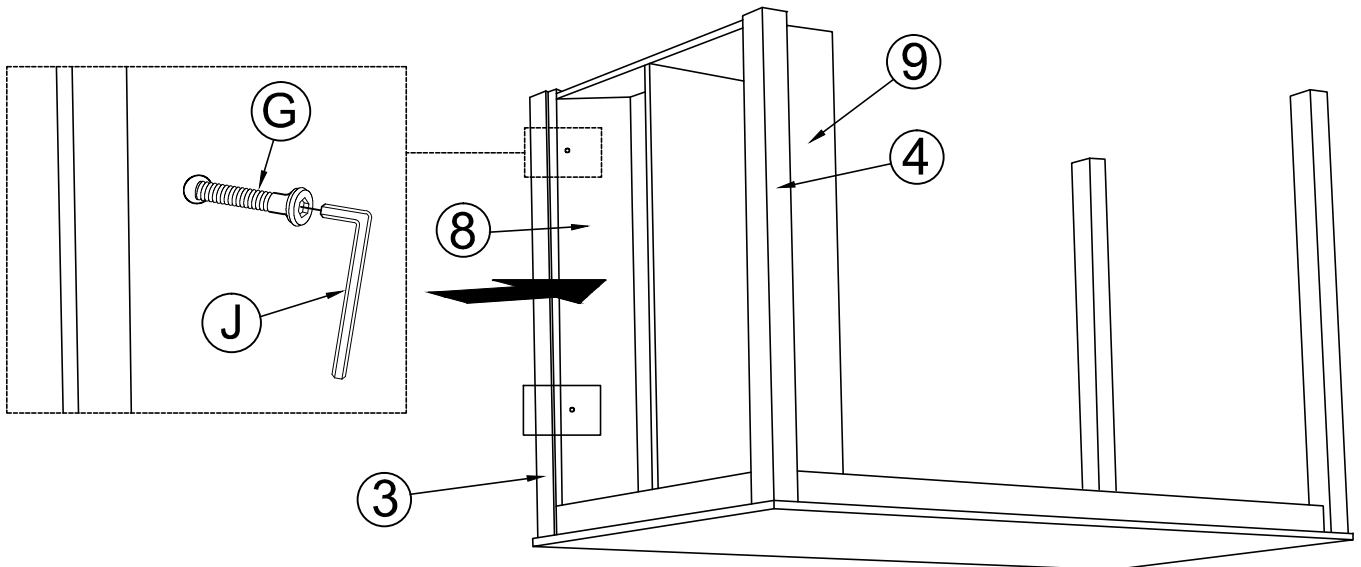
Thank you for purchasing this quality product. Be sure to check all packing material carefully for small part that may have come loose inside the carton during shipment.



**Step 9 : Assembly Side Panel L (9) to Top Panel (7) and Bottom Panel (5) and insert Wood Dowel (F) and secure using Cam Lock (D). Tighten with Screwdriver.**



|   |            |   |       |      |
|---|------------|---|-------|------|
| D | CAM LOCK   |  | 12mm  | 4PCS |
| F | WOOD DOWEL |  | M8*30 | 1PC  |

**Step 10 : Turn the table and box shelf upside down and slide the shelf box between Table Leg 2 (3) and Table Leg 3 (4). Attach to side panel L (9) and side Panel R (8) to both leg using JCBC Screw (G) and tighten with Allen Key M4 (J) .**



|   |            |   |       |      |
|---|------------|---|-------|------|
| G | JCBC SCREW |  | M6*30 | 4PCS |
| J | ALLEN KEY  |  | M4    | 1PC  |

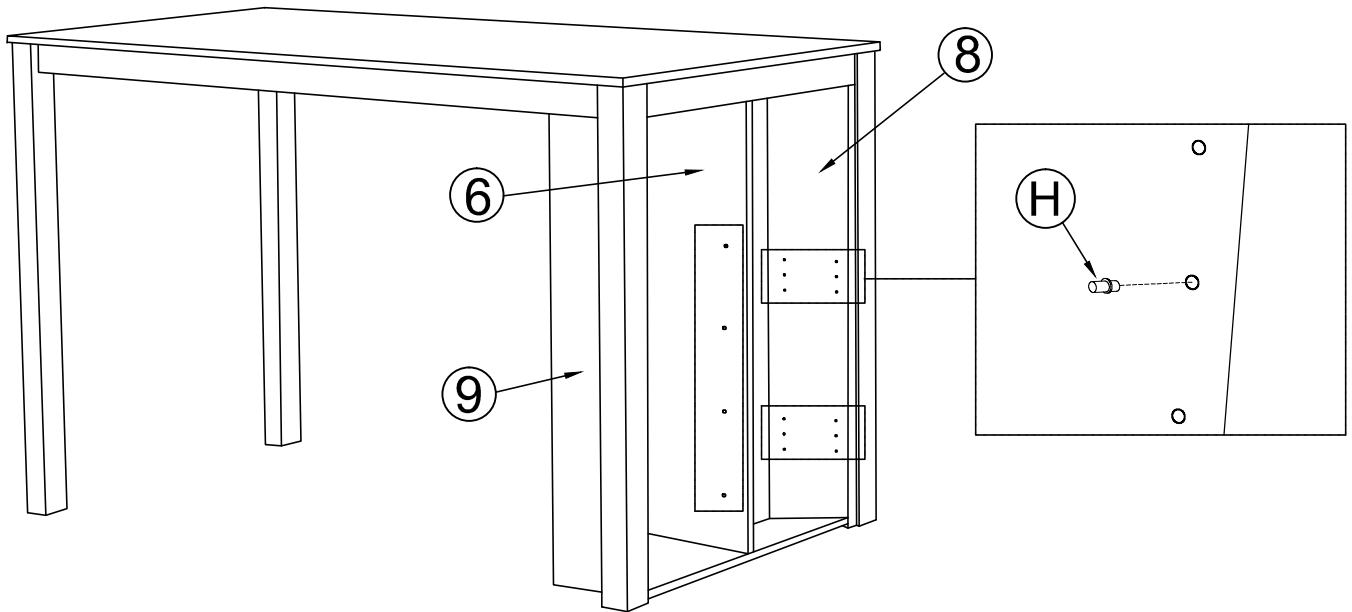
# ASSEMBLY INSTRUCTIONS


Item No : N717P175956

Description : DINING TABLE

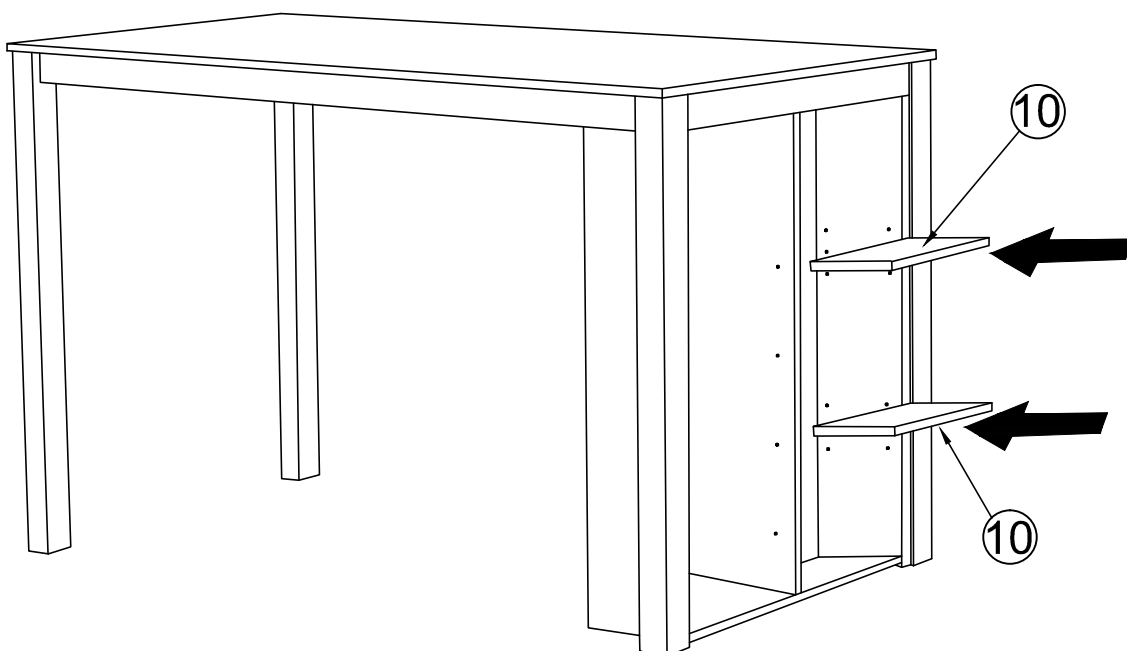
Thank you for purchasing this quality product. Be sure to check all packing material carefully for small part that may have come loose inside the carton during shipment.

Step 11 : Insert Shelf Pin (H) to Side panel R (8) , Side Panel L (9) and Center Panel (6).



|   |           |   |      |       |
|---|-----------|---|------|-------|
| H | SHELF PIN |  | 5/16 | 24PCS |
|---|-----------|---|------|-------|

Step 12 : Carefully slide Shelf Panel R (10) to shelf box.



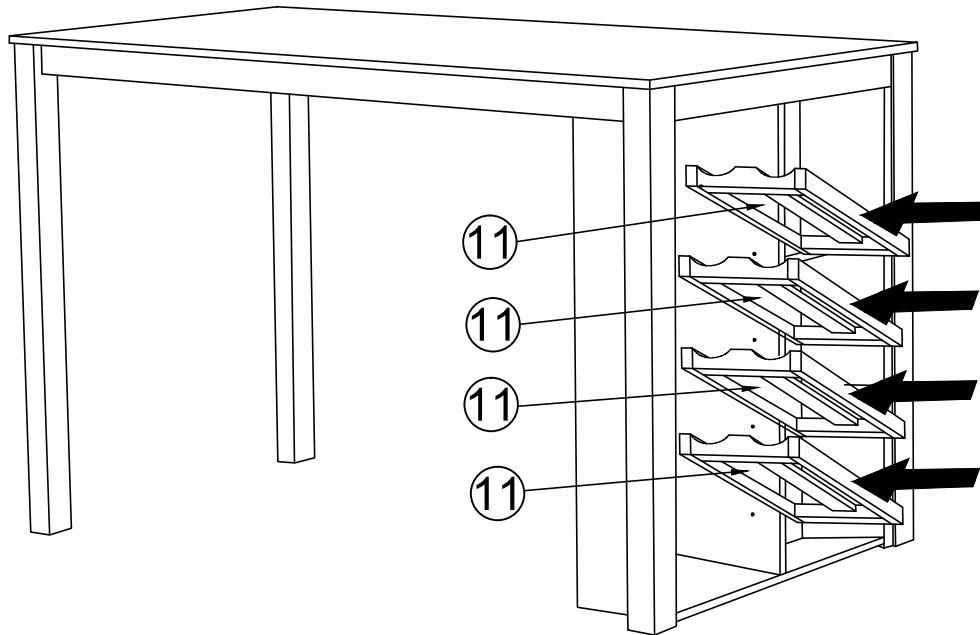
## ASSEMBLY INSTRUCTIONS

Item No : WF309375

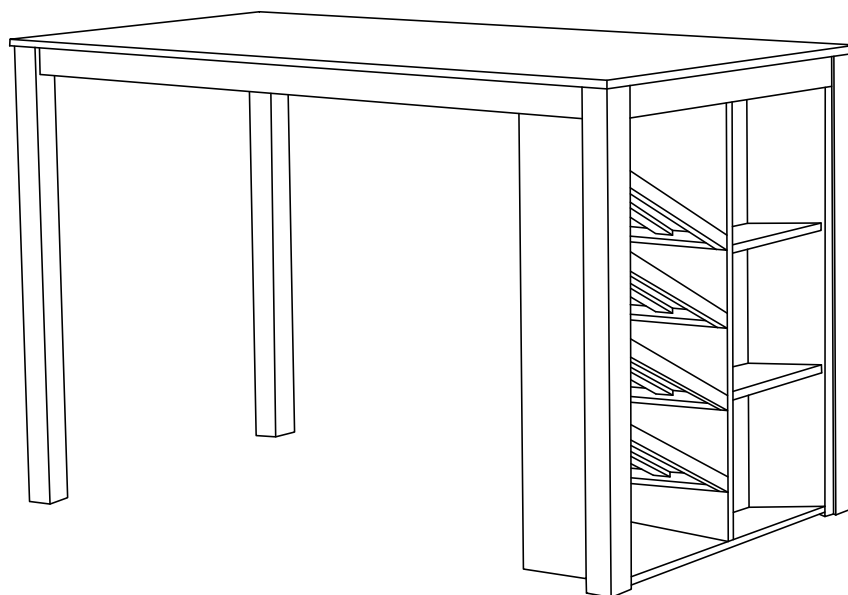
Description : DINING TABLE

Thank you for purchasing this quality product. Be sure to check all packing material carefully for small part that may have come loose inside the carton during shipment.

Step 13 : Carefully slide Shelf Panel L (11) to shelf box.



Step 14 : Fully Setup.

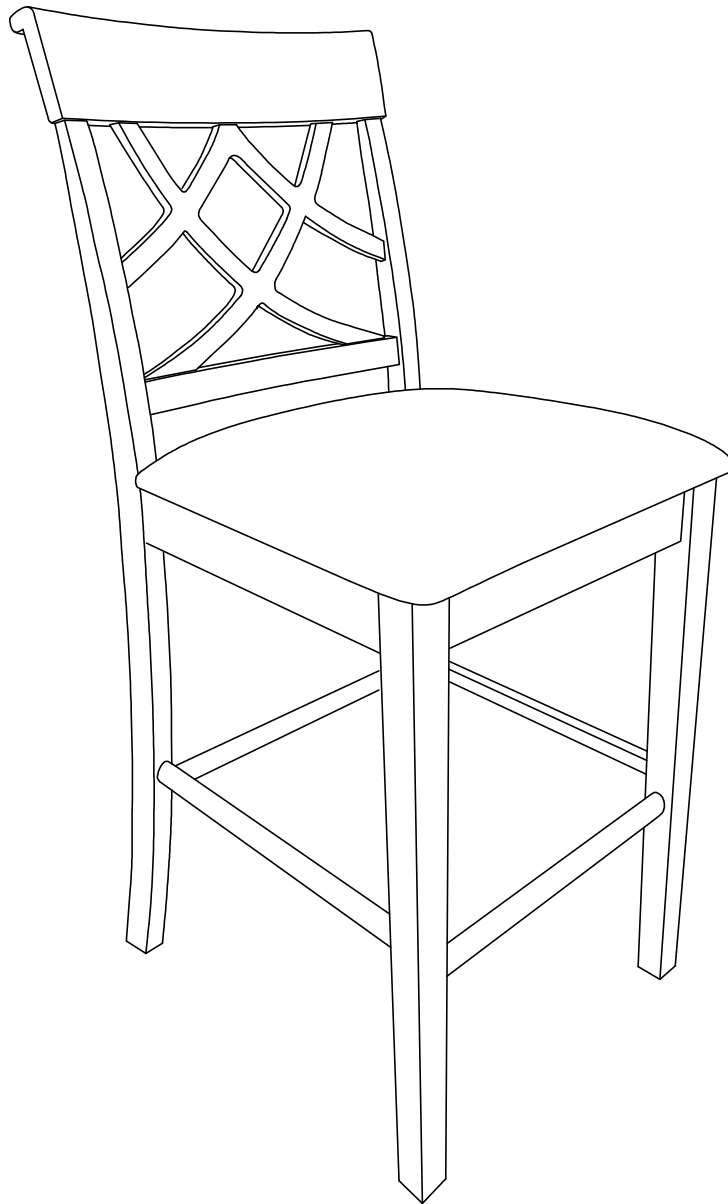


## **ASSEMBLY INSTRUCTIONS**

**Item No : N717P175962**

**Description : DINING CHAIR**

Thank you for purchasing this quality product. Be sure to check all packing material carefully for small part that may have come loose inside the carton during shipment.



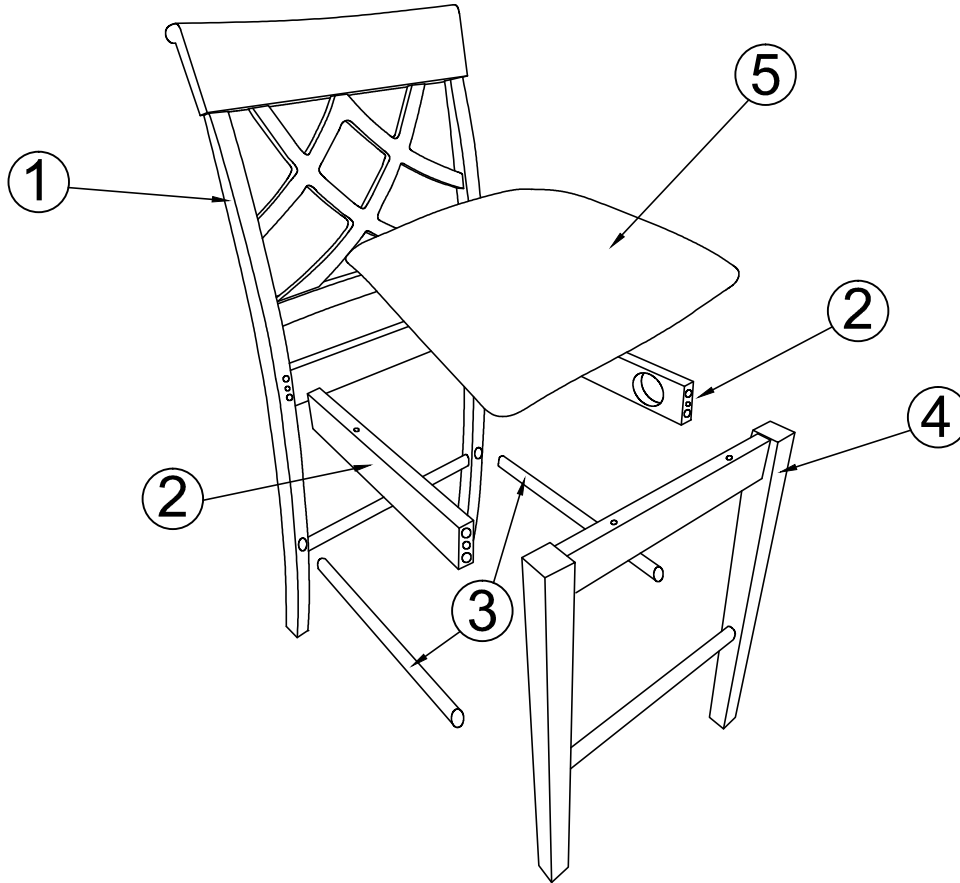
**N717P175962**

# ASSEMBLY INSTRUCTIONS


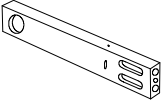



Item No : N717P175962

Description : DINING CHAIR

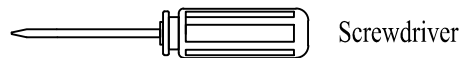
Thank you for purchasing this quality product. Be sure to check all packing material carefully for small part that may have come loose inside the carton during shipment.



## PART LIST :



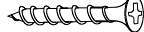


| NO. | DESCRIPTION | SKETCH  | QTY. |
|-----|-------------|---|------|
| 1   | BACK LEG    |  | 1PC  |
| 2   | SIDE RAIL   |  | 2PCS |
| 3   | STRECHER    |  | 2PCS |
| 4   | FRONT LEG   |  | 1PC  |
| 5   | SEAT        |  | 1PC  |

## TOOLS REQUIRED (Not provided)



Screwdriver

## HARDWARE LIST :

| NO. | DESCRIPTION | SKETCH  | SIZE   | QTY. |
|-----|-------------|---|--------|------|
| A   | JCBC SCREW  |  | M6*50  | 6PCS |
| B   | WOOD DOWEL  |  | M10*35 | 6PCS |
| C   | CSK SCREW   |  | M4*32  | 8PCS |
| D   | BEND WASHER |  | 15*18  | 6PCS |
| E   | ALLEN KEY   |  | M4 L   | 1PC  |

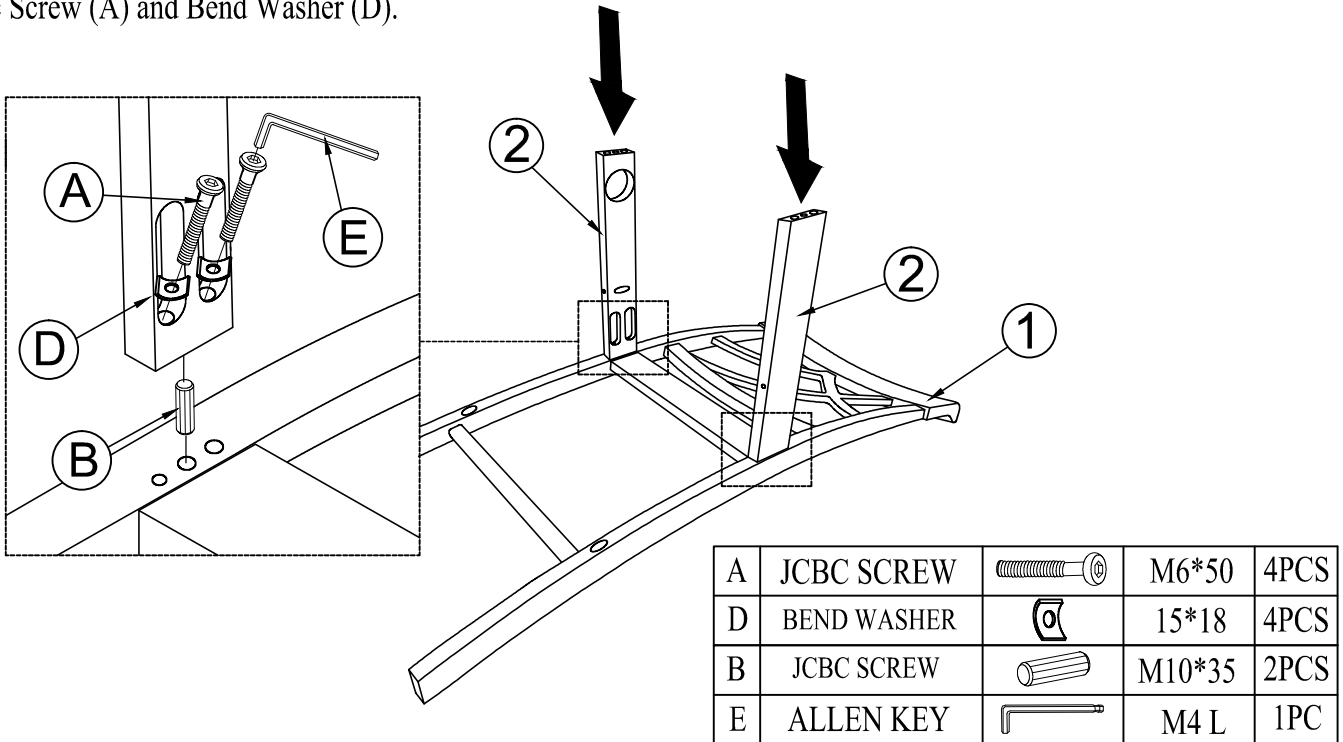
# ASSEMBLY INSTRUCTIONS

Item No : N717P175962

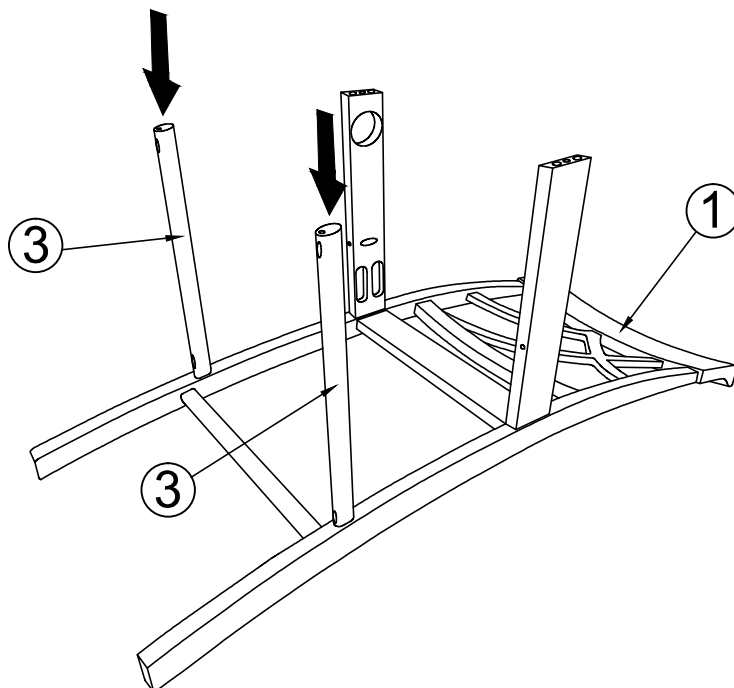
Description : DINING CHAIR

Thank you for purchasing this quality product. Be sure to check all packing material carefully for small part that may have come loose inside the carton during shipment.

Step 1 : Insert Wood Dowel (B) to Back Leg (1) and Use Allen Key (E) to secure Side Rail (2) to Back Leg (1) with Jcbc Screw (A) and Bend Washer (D).



Step 2 : Insert Side Strecher (3) to Back Leg (1).



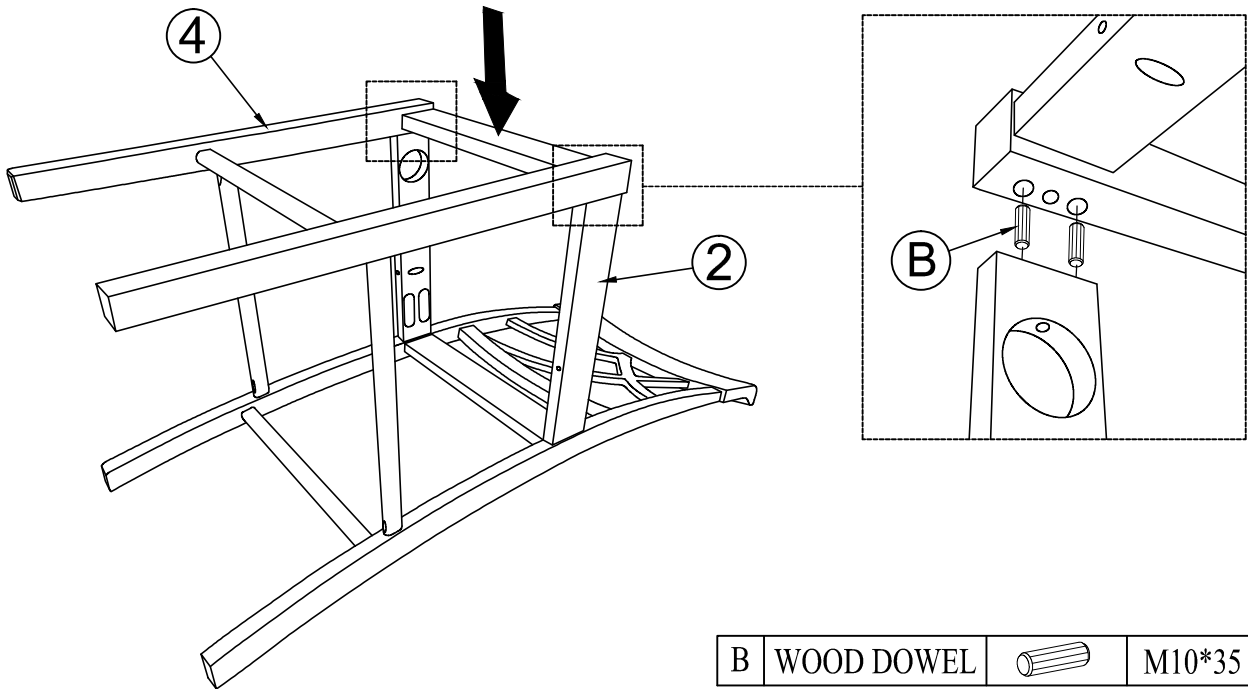
# ASSEMBLY INSTRUCTIONS

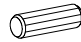
Item No : N717P175962

Description : DINING CHAIR

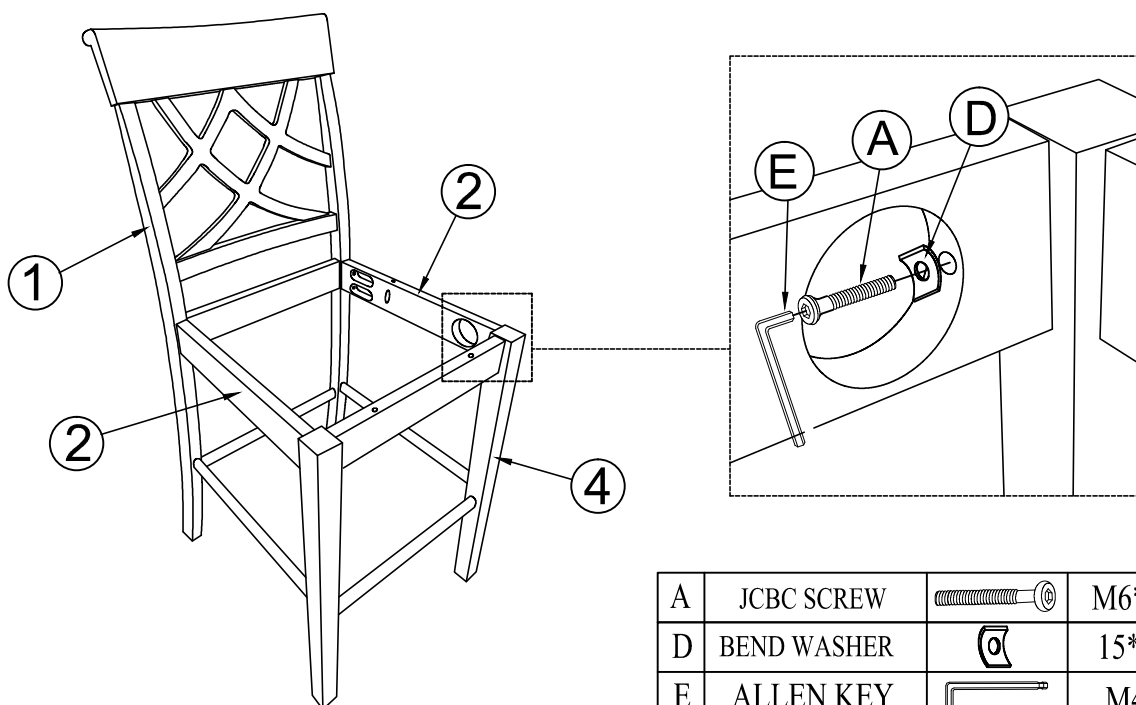
Thank you for purchasing this quality product. Be sure to check all packing material carefully for small part that may have come loose inside the carton during shipment.




Step 3 : Put Wood Dowel (B) to Side Rail (2) and attach Front Leg (4) to Side Rail (2).



|   |            |   |        |      |
|---|------------|---|--------|------|
| B | WOOD DOWEL |  | M10*35 | 4PCS |
|---|------------|---|--------|------|

Step 4 : Secure Side Rail (2) to Front Leg (4) using Allen Key (E), Bend Washer (D) and Jcbs Screw (A).



|   |             |   |       |      |
|---|-------------|---|-------|------|
| A | JCBC SCREW  |  | M6*50 | 2PCS |
| D | BEND WASHER |  | 15*18 | 2PCS |
| E | ALLEN KEY   |  | M4 L  | 1PC  |

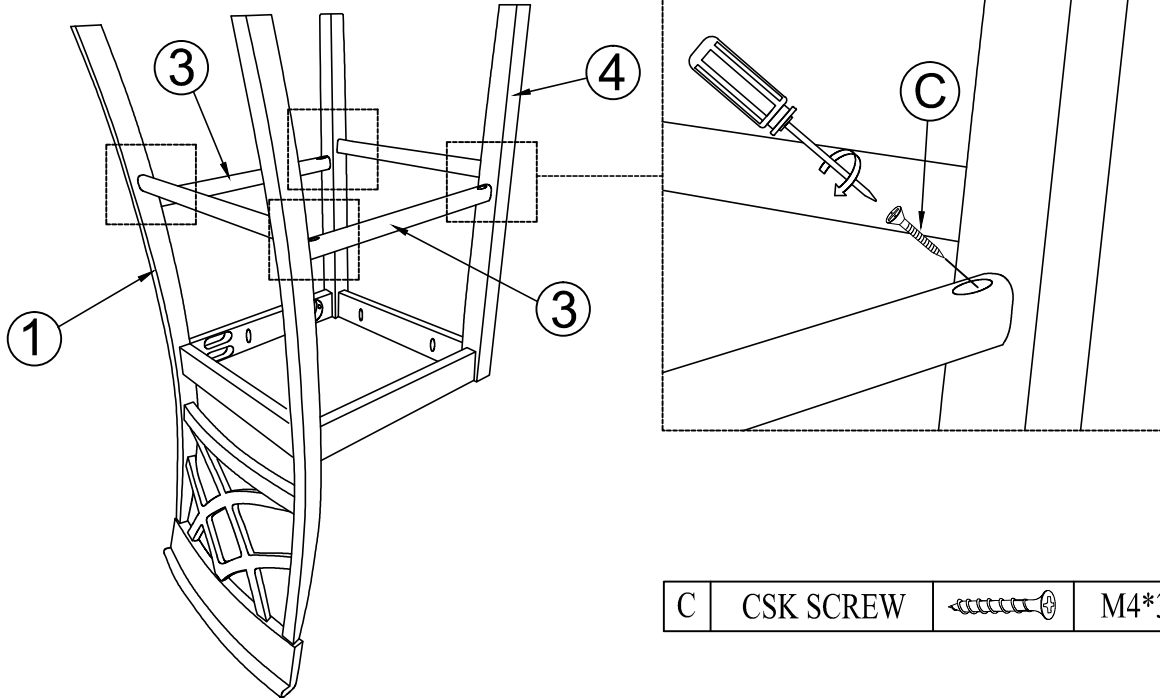
# ASSEMBLY INSTRUCTIONS

Item No : N717P175962

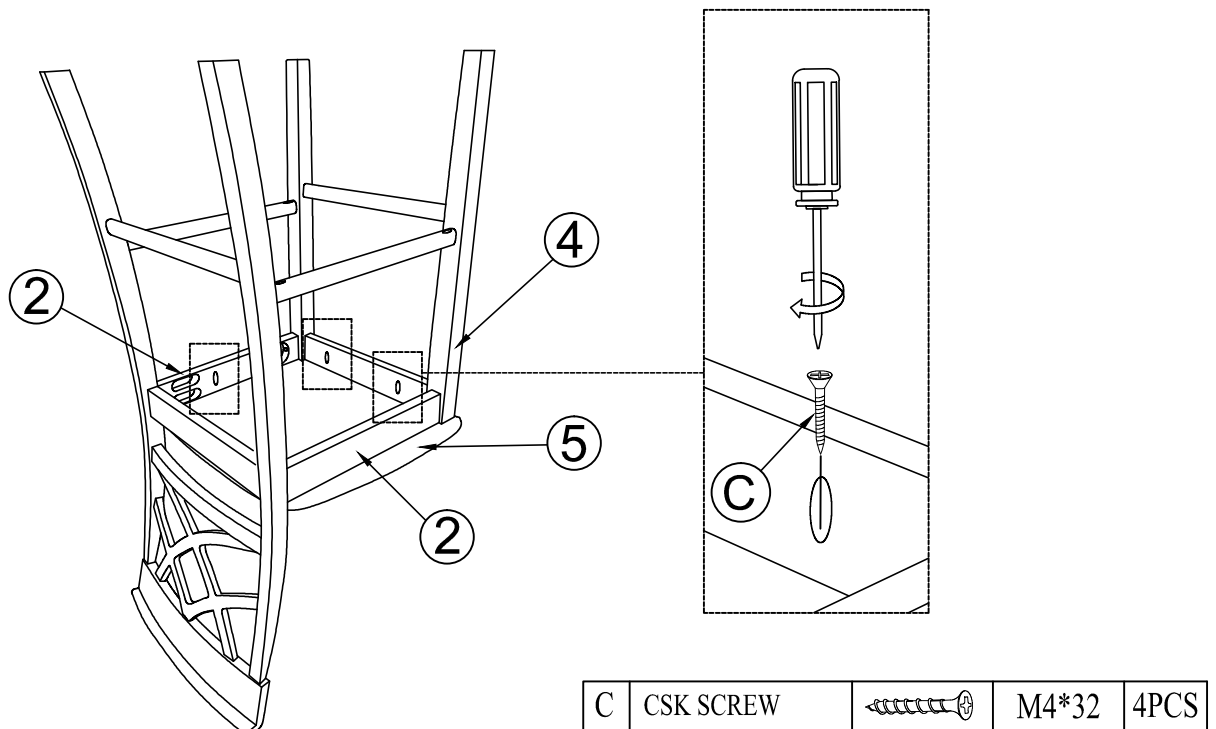
Description : DINING CHAIR

Thank you for purchasing this quality product. Be sure to check all packing material carefully for small part that may have come loose inside the carton during shipment.

Step 5 : Secure Side Strecher (3) to Front Leg (4) and Back Leg (1) using Csk Screw (C) .



Step 6 : Secure Front Leg (4) and Side Rail (2) to Seat (5) using Csk Screw (C).



## ASSEMBLY INSTRUCTIONS

Item No : N717P175962

Description : DINING CHAIR

Thank you for purchasing this quality product. Be sure to check all packing material carefully for small part that may have come loose inside the carton during shipment.

Step 7 : Fully setup.

