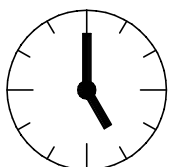
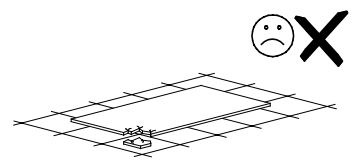
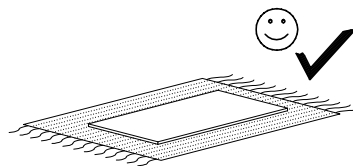
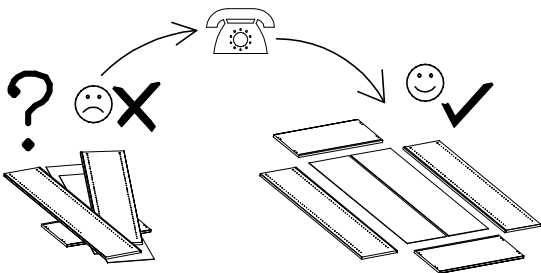
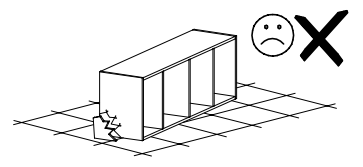
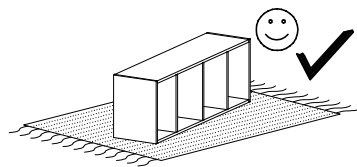
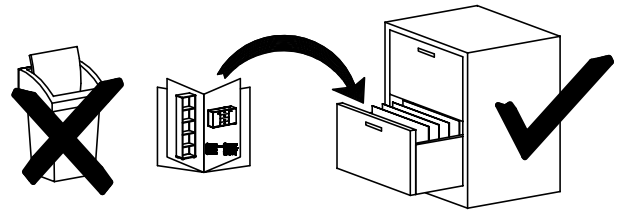
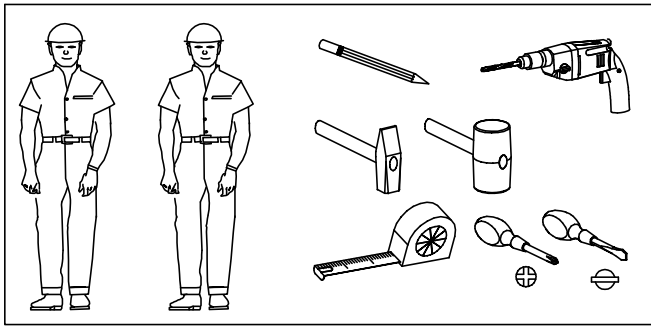
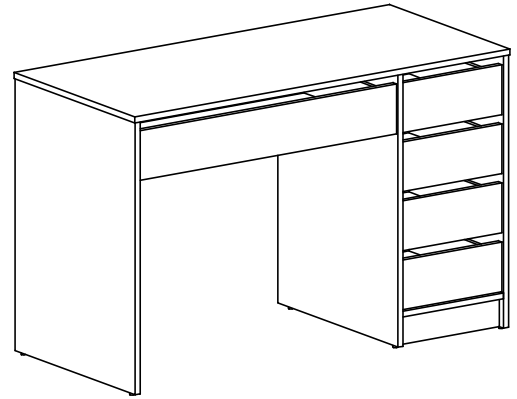
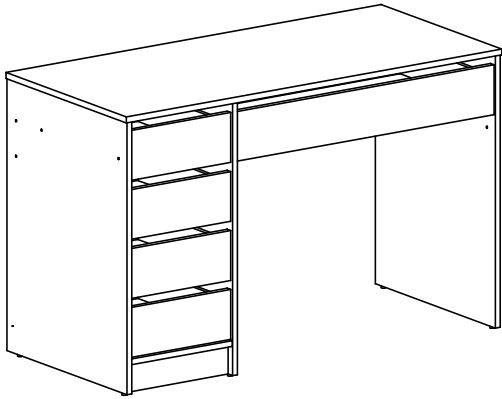
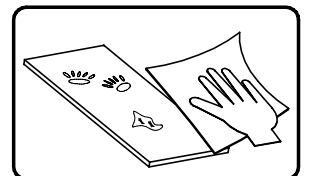
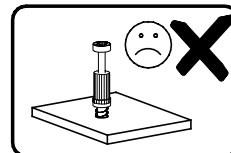
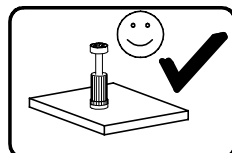
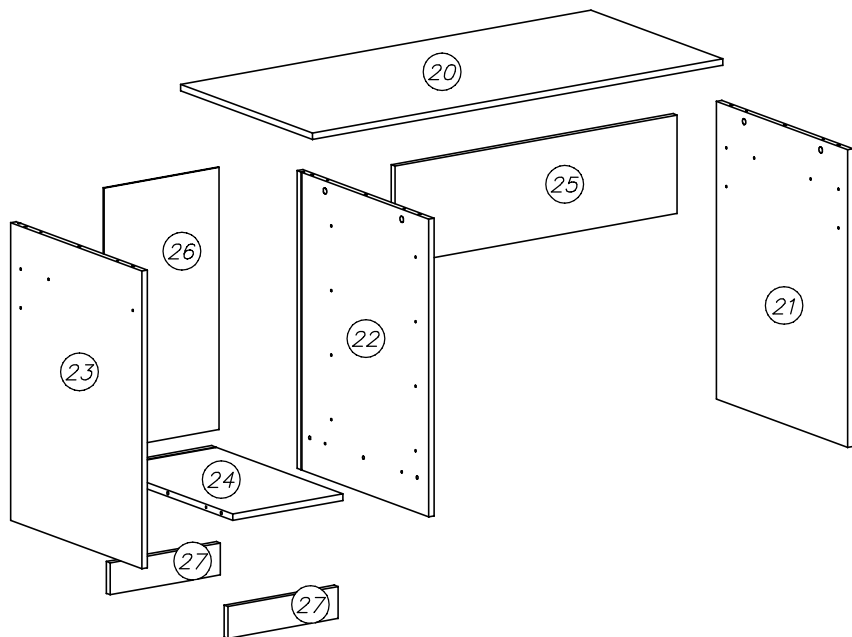
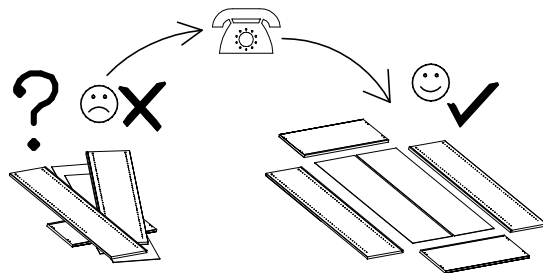
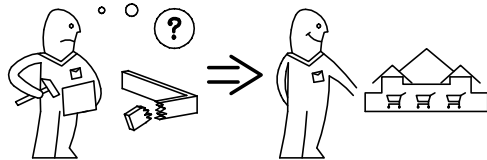
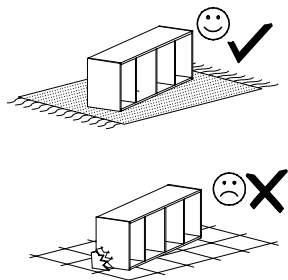


Installation & Assembly

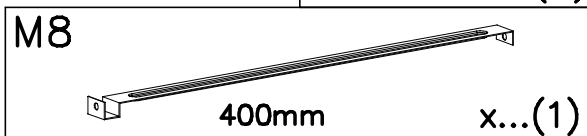
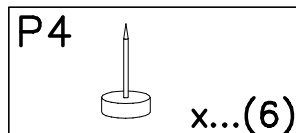
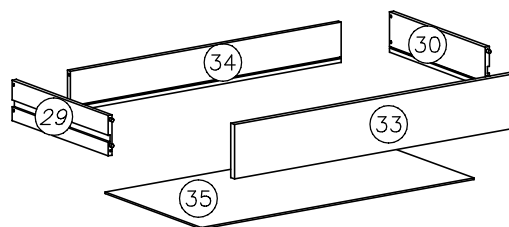
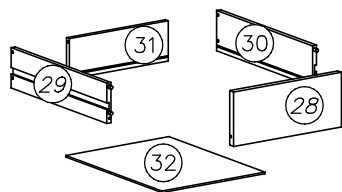


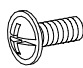

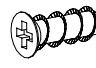
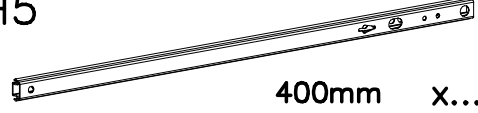


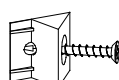

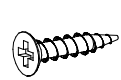
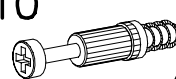

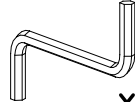

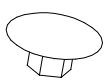
1,5h

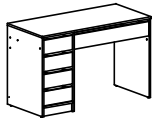




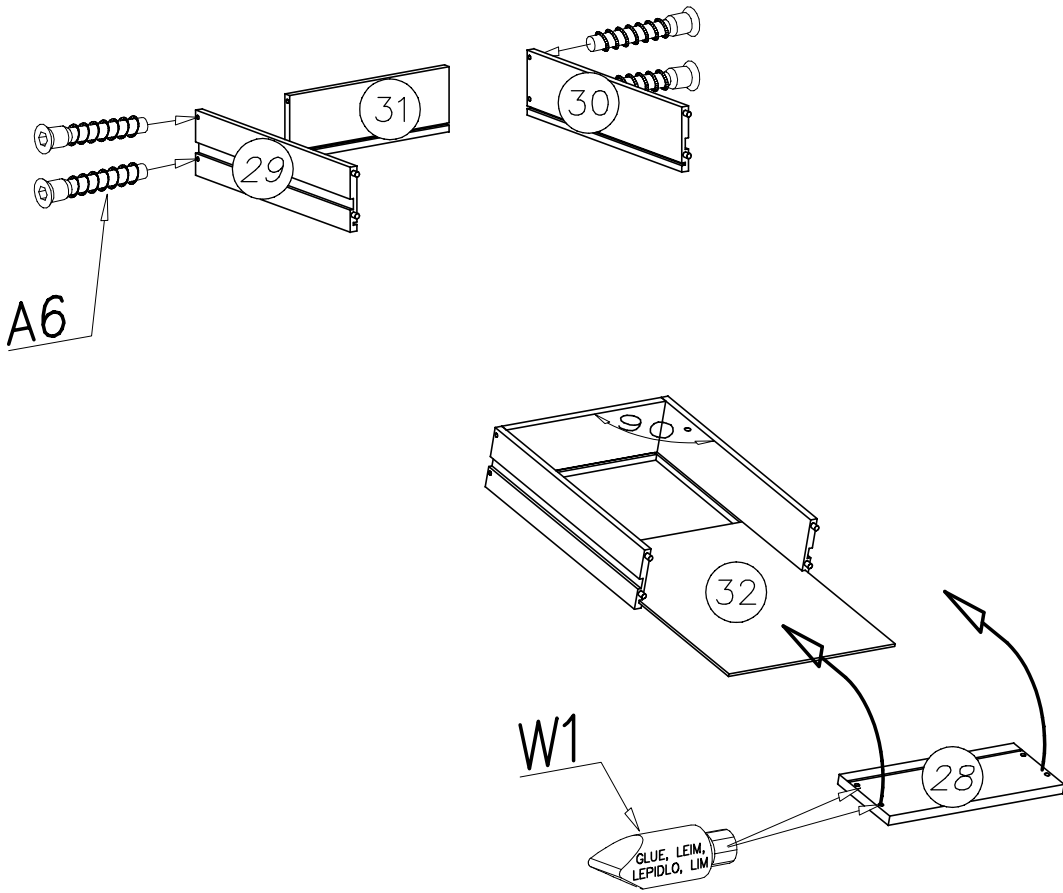
| nr | L[mm] | B[mm] | T[mm] | Menge | Colli |
|----|-------|-------|-------|-------|-------|
| 20 | 1200 | 550 | 16 | 1 | 1/1 |
| 21 | 738 | 544 | 16 | 1 | 1/1 |
| 22 | 738 | 544 | 16 | 1 | 1/1 |
| 23 | 738 | 544 | 16 | 1 | 1/1 |
| 24 | 318 | 543 | 16 | 1 | 1/1 |
| 25 | 823 | 244 | 16 | 1 | 1/1 |
| 26 | 649 | 330 | 3 | 1 | 1/1 |
| 27 | 318 | 79 | 16 | 2 | 1/1 |
| 28 | 312 | 135 | 16 | 4 | 1/1 |
| 29 | 400 | 100 | 12 | 5 | 1/1 |
| 30 | 400 | 100 | 12 | 5 | 1/1 |
| 31 | 285 | 100 | 12 | 4 | 1/1 |
| 32 | 295 | 401 | 3 | 4 | 1/1 |
| 33 | 817 | 135 | 16 | 1 | 1/1 |
| 34 | 790 | 100 | 12 | 1 | 1/1 |
| 35 | 800 | 401 | 3 | 1 | 1/1 |



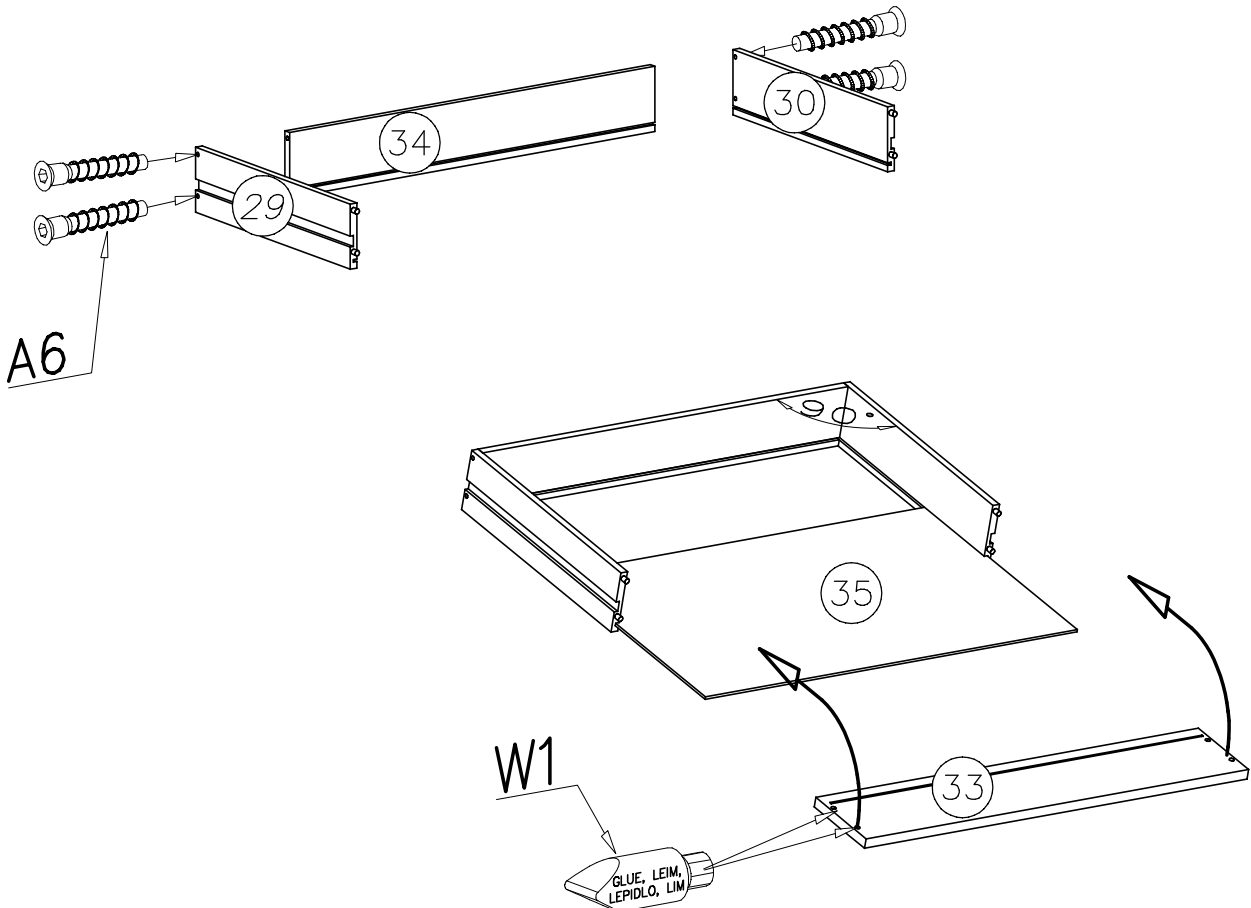
| | | | | |
|--|---|---|--|---|
| N1  M4x9 x...(10) | A6  ø7x40 x...(20) | G50  6x13 x...(20) | H5  400mm x...(10) | |
| K1  ø15x12 x...(14) | W1  x...(3) | I1  x...(5) | I4  ø5 x...(5) | G34  3,5x16 x...(18) |
| K10  x...(14) | B1  ø8x35 x...(15) | W2  x...(1) | F15  x...(4) | I7  ø18 x...(14) |

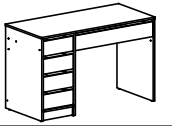


I



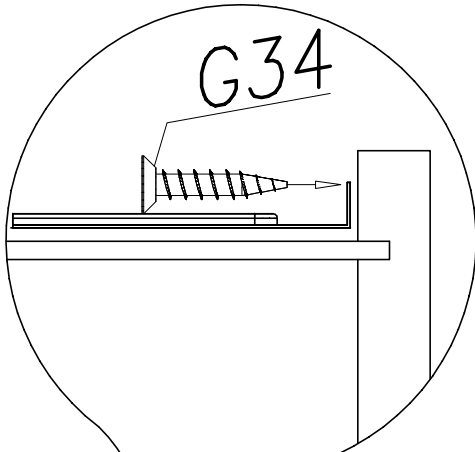
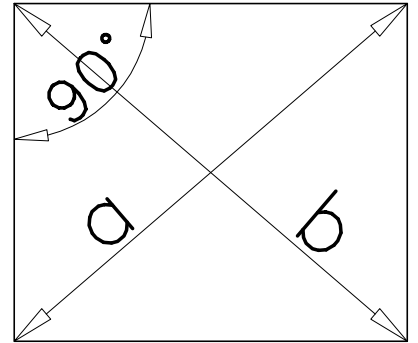
II



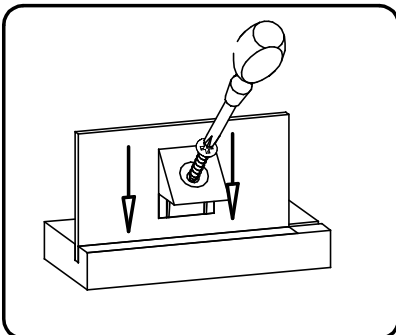
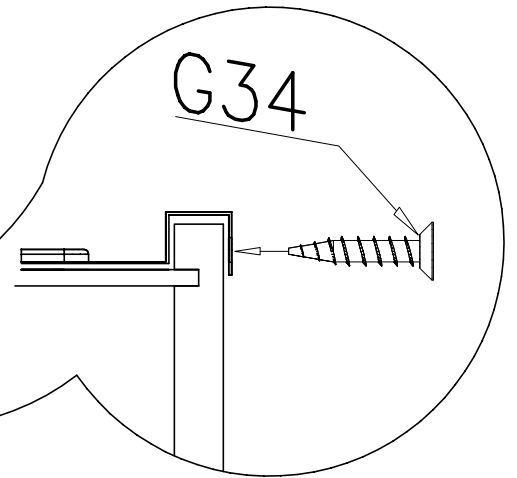
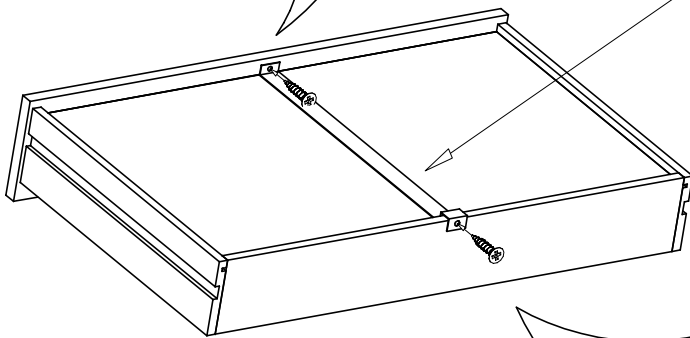


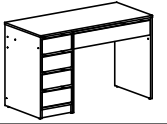
III

$a=b$

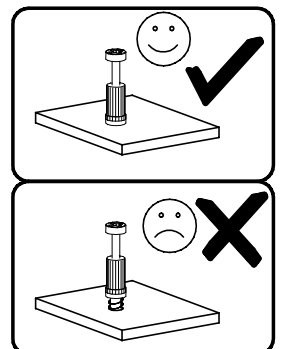
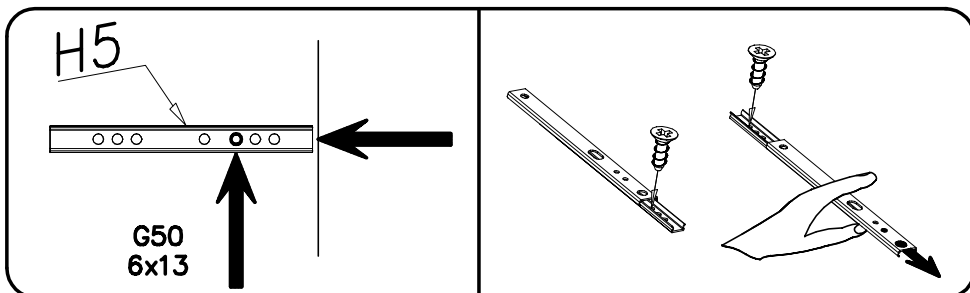
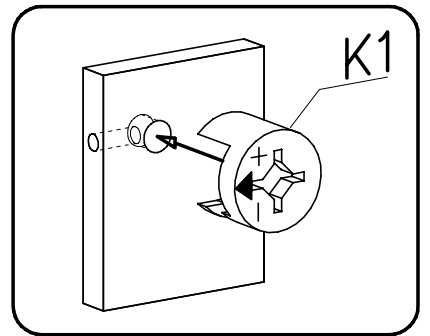
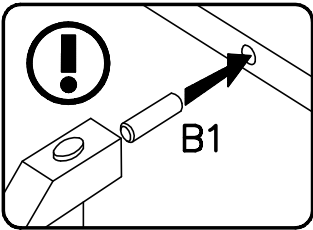
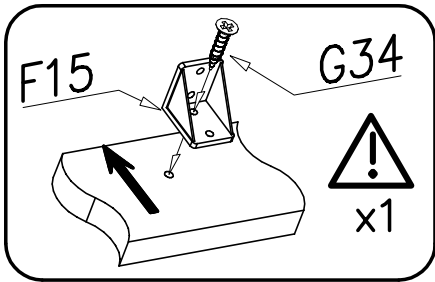
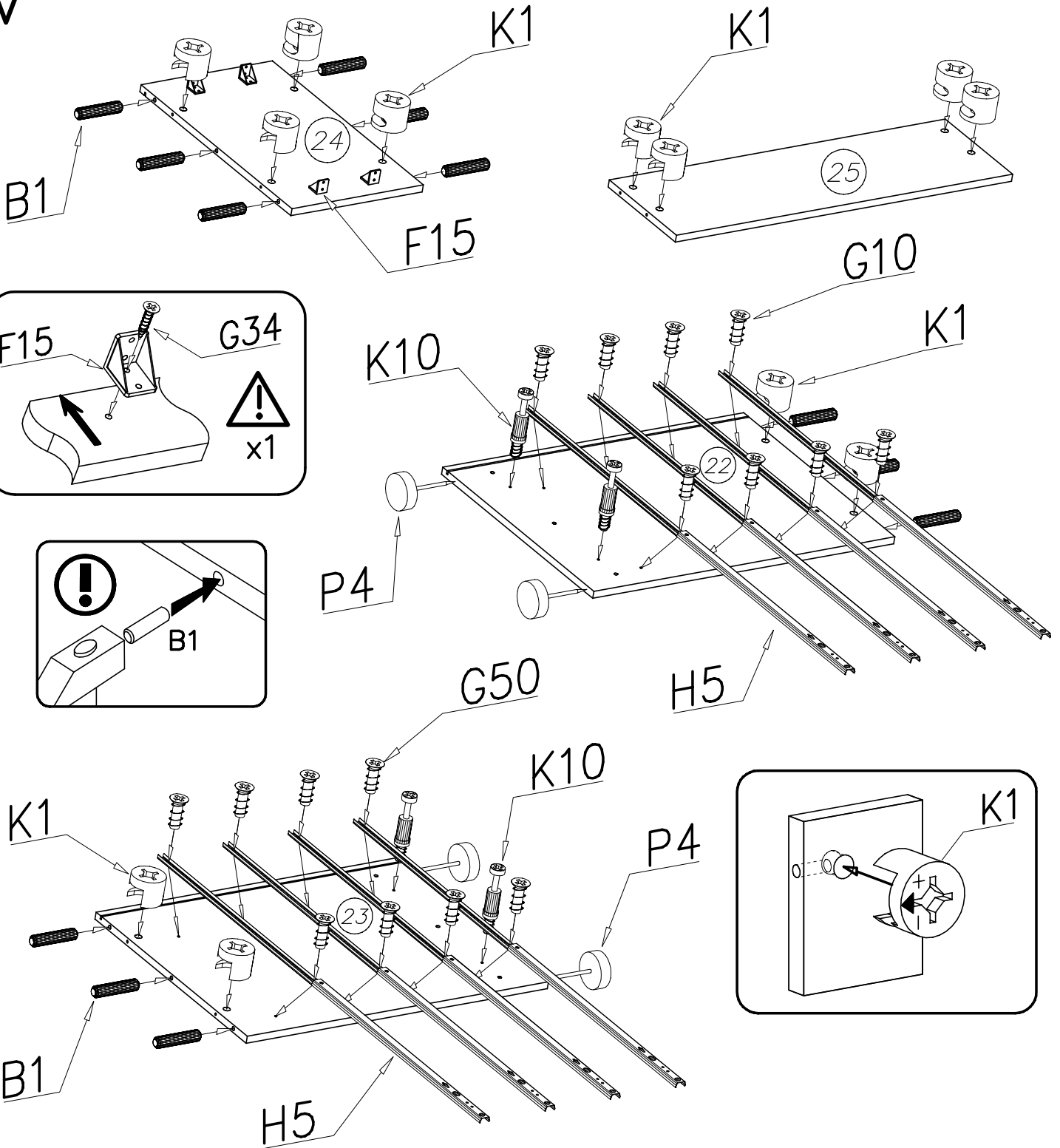


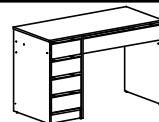
M8



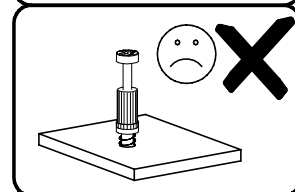
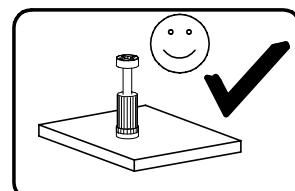
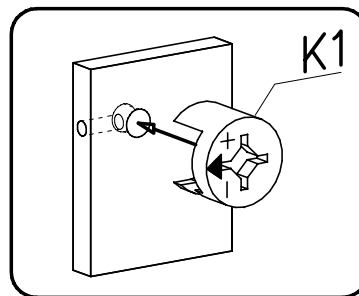
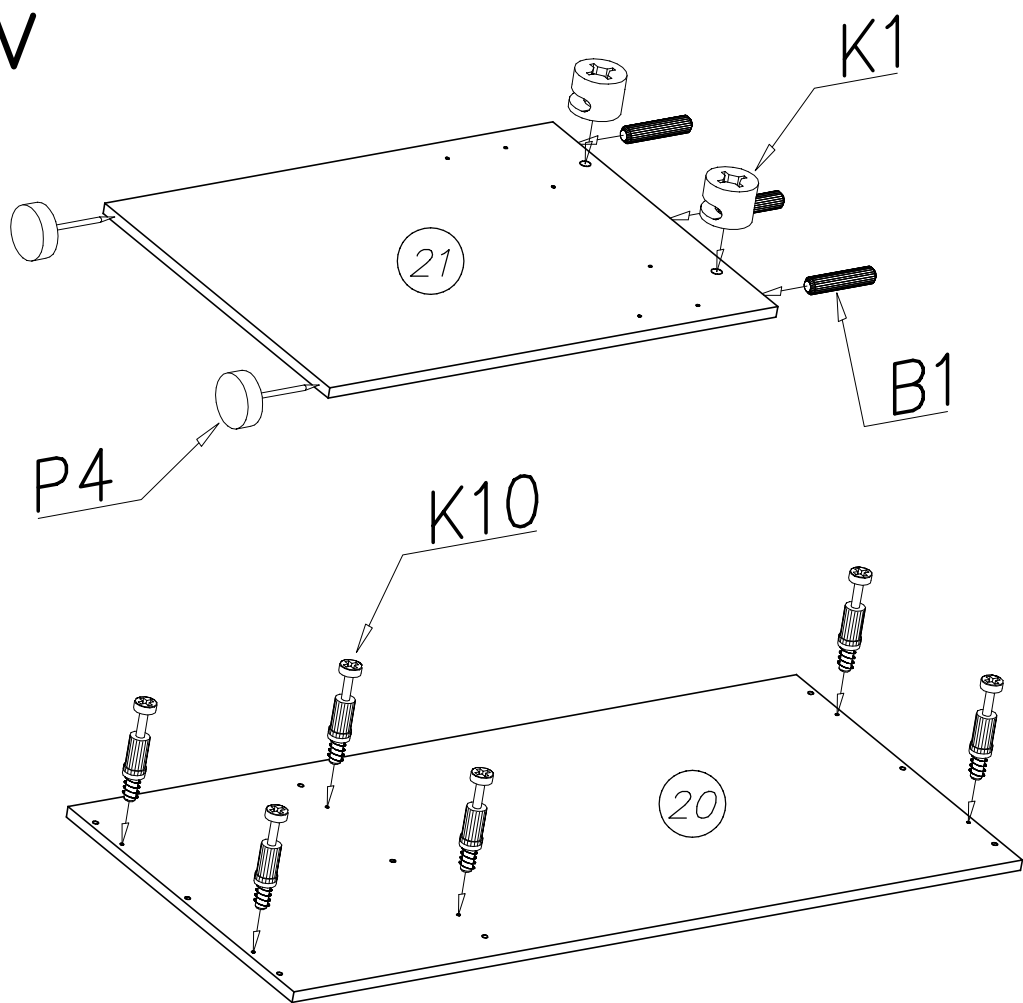


IV

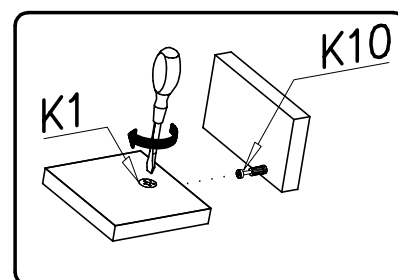
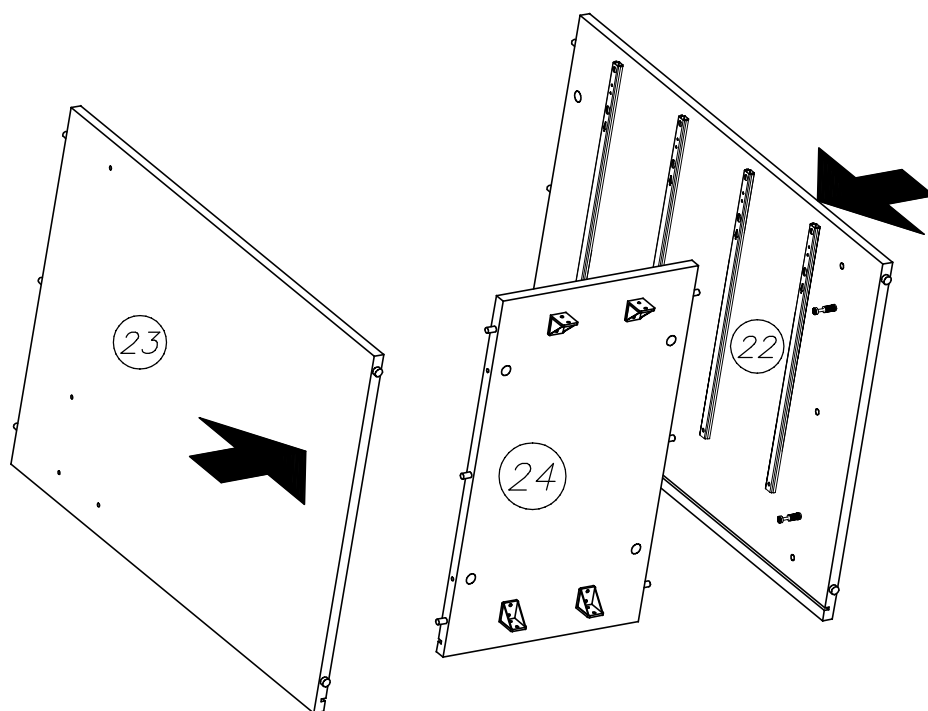


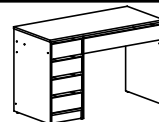


V

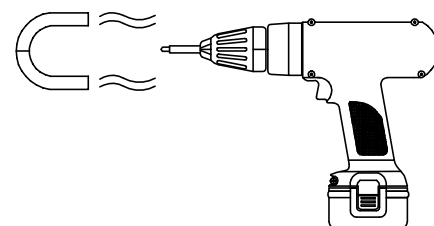
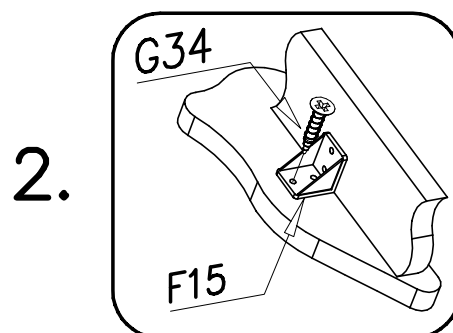
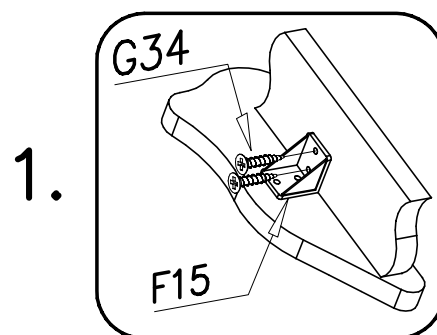
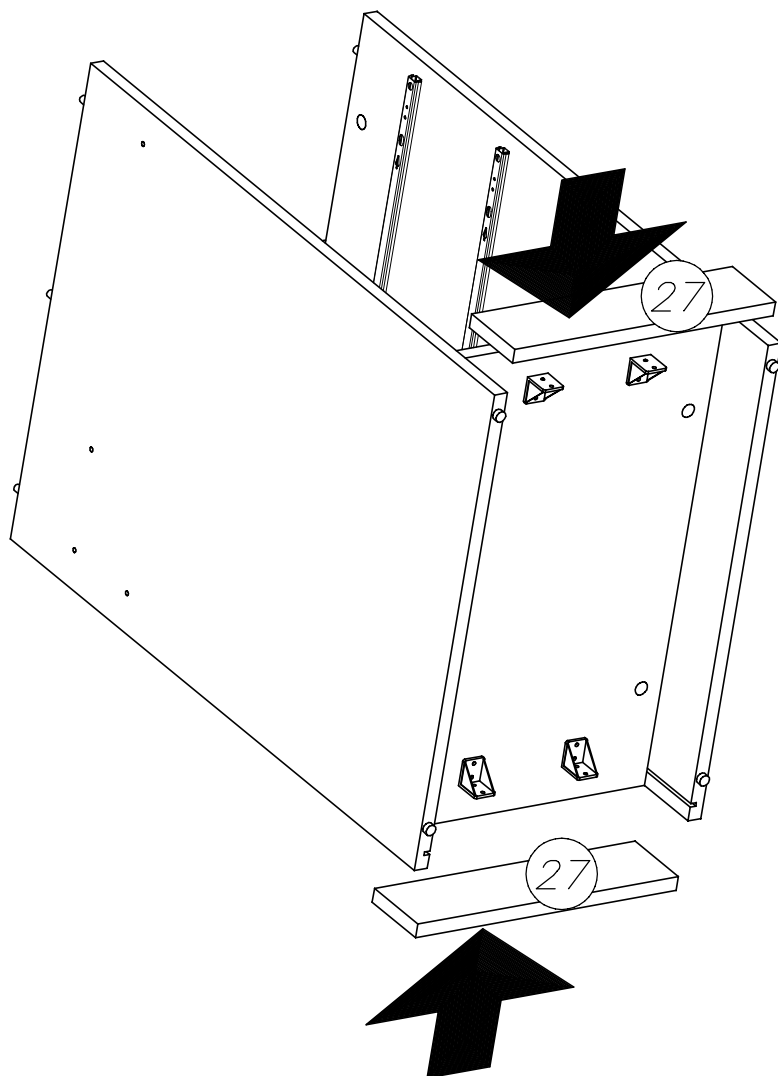


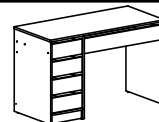
VI



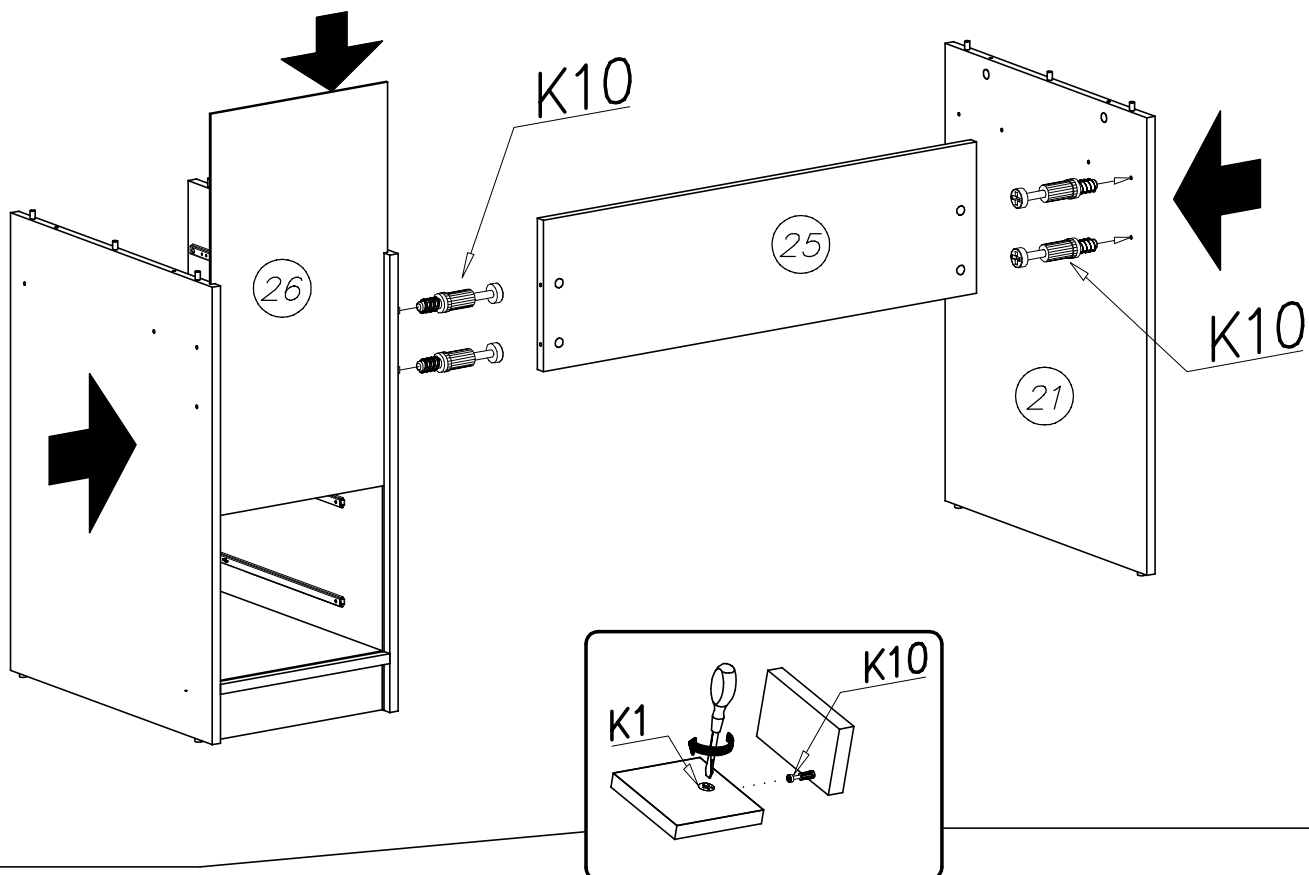
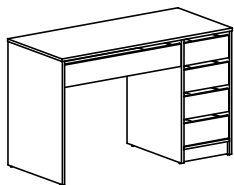


VII

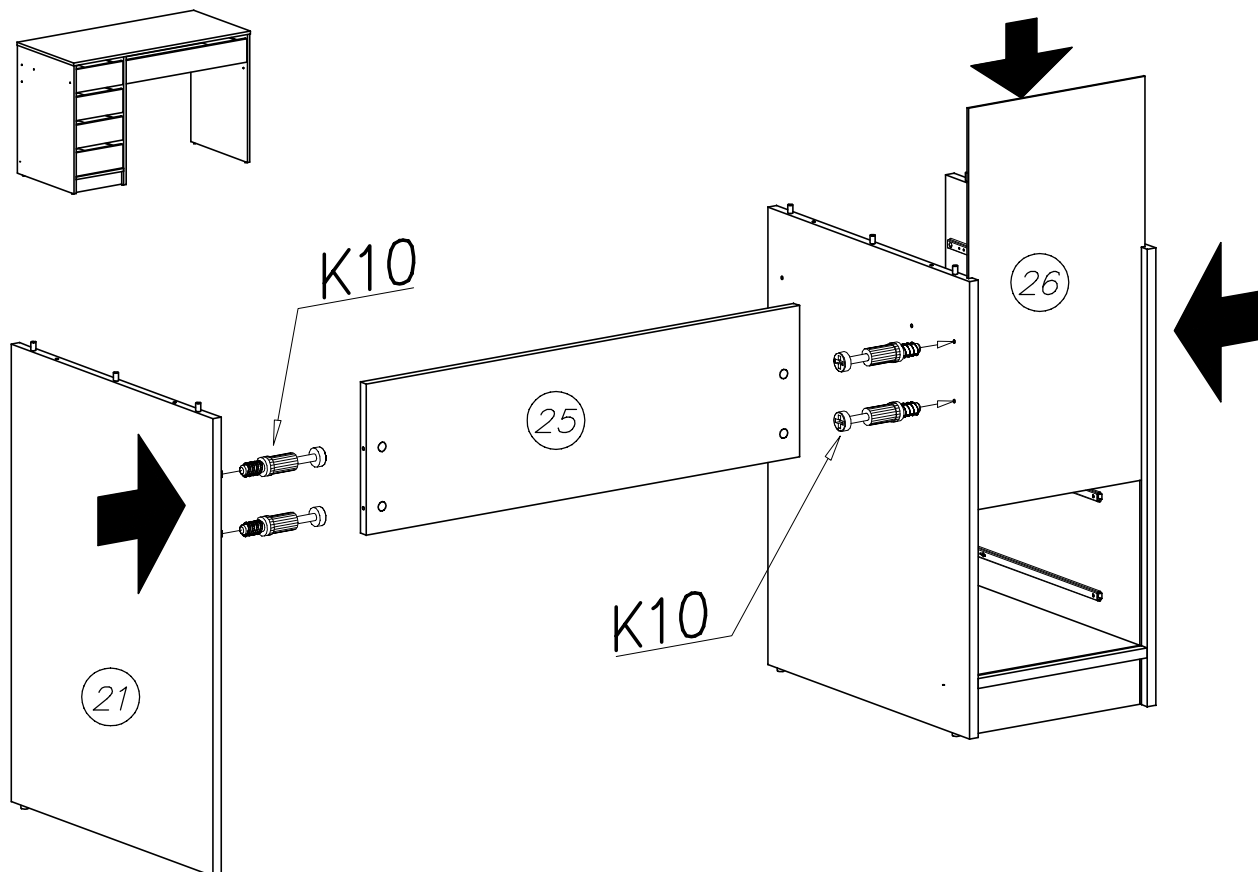
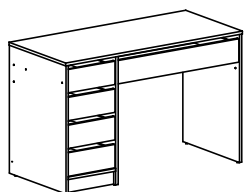


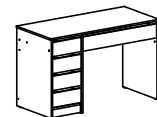


VIII

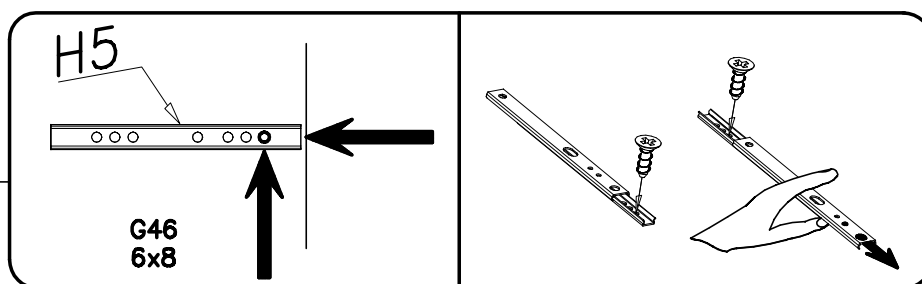
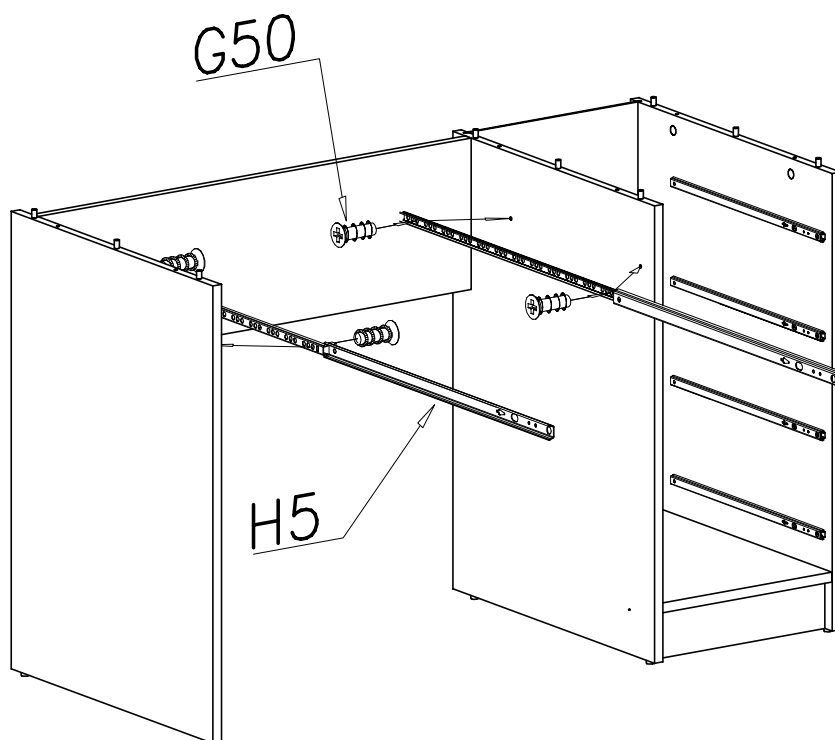
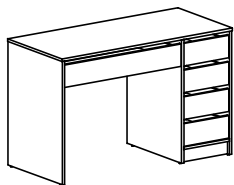


IX

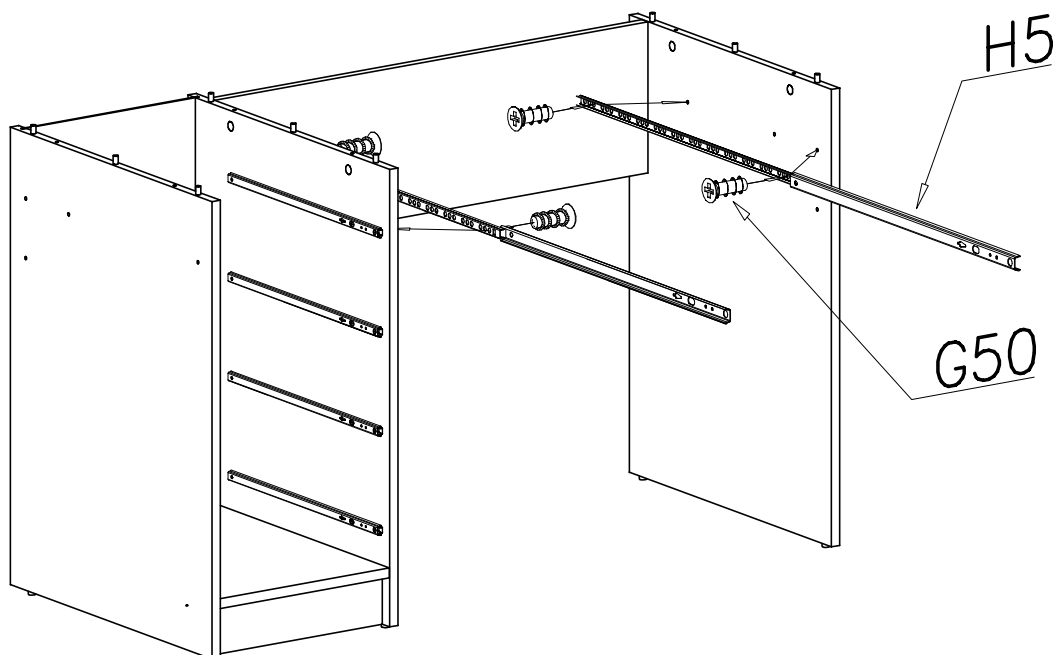
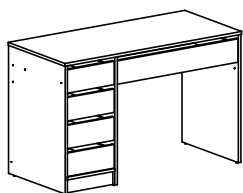


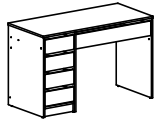


X

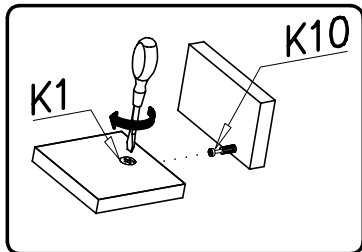
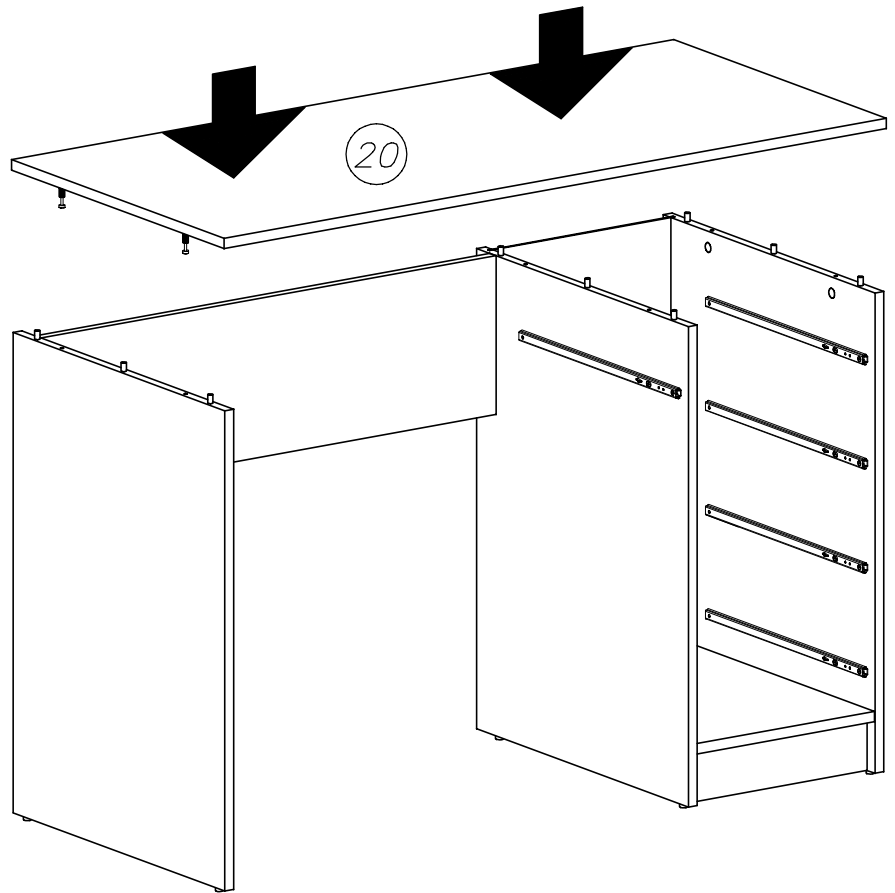
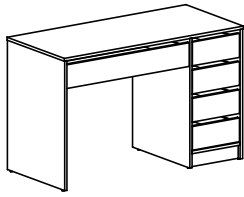


XI

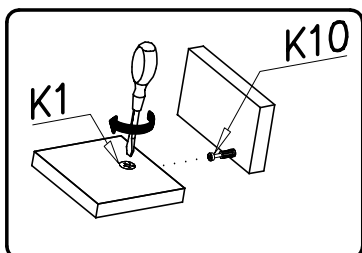
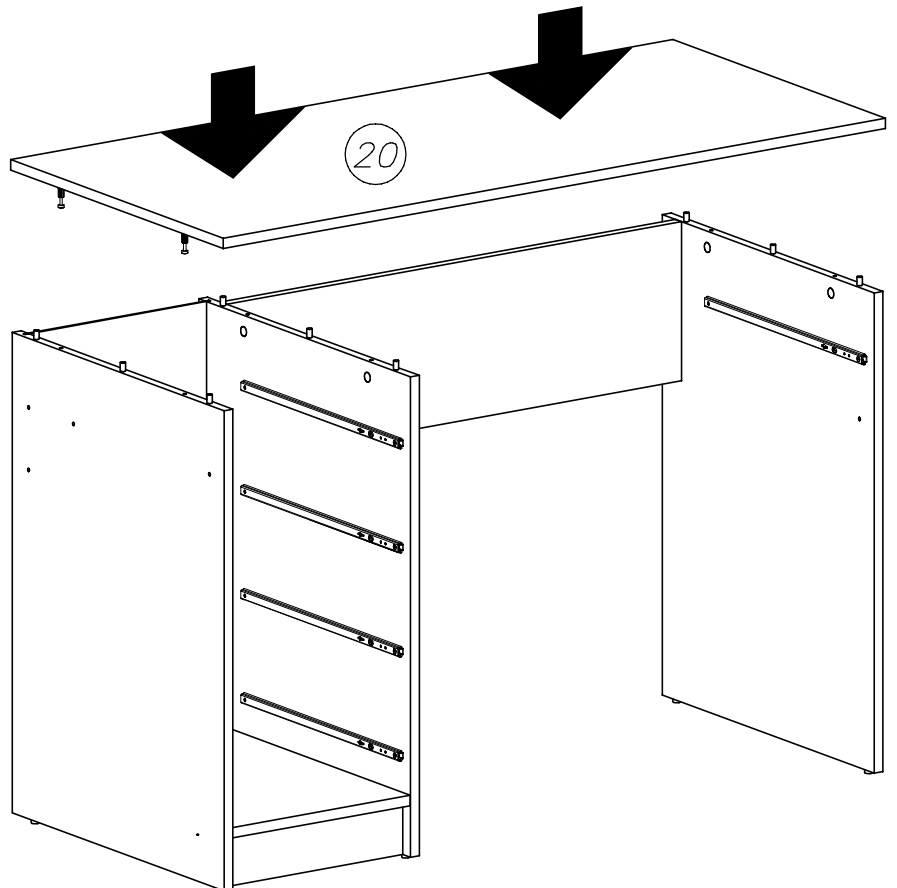
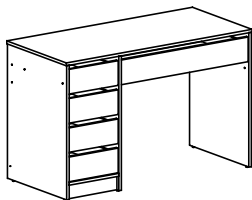


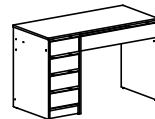


XII

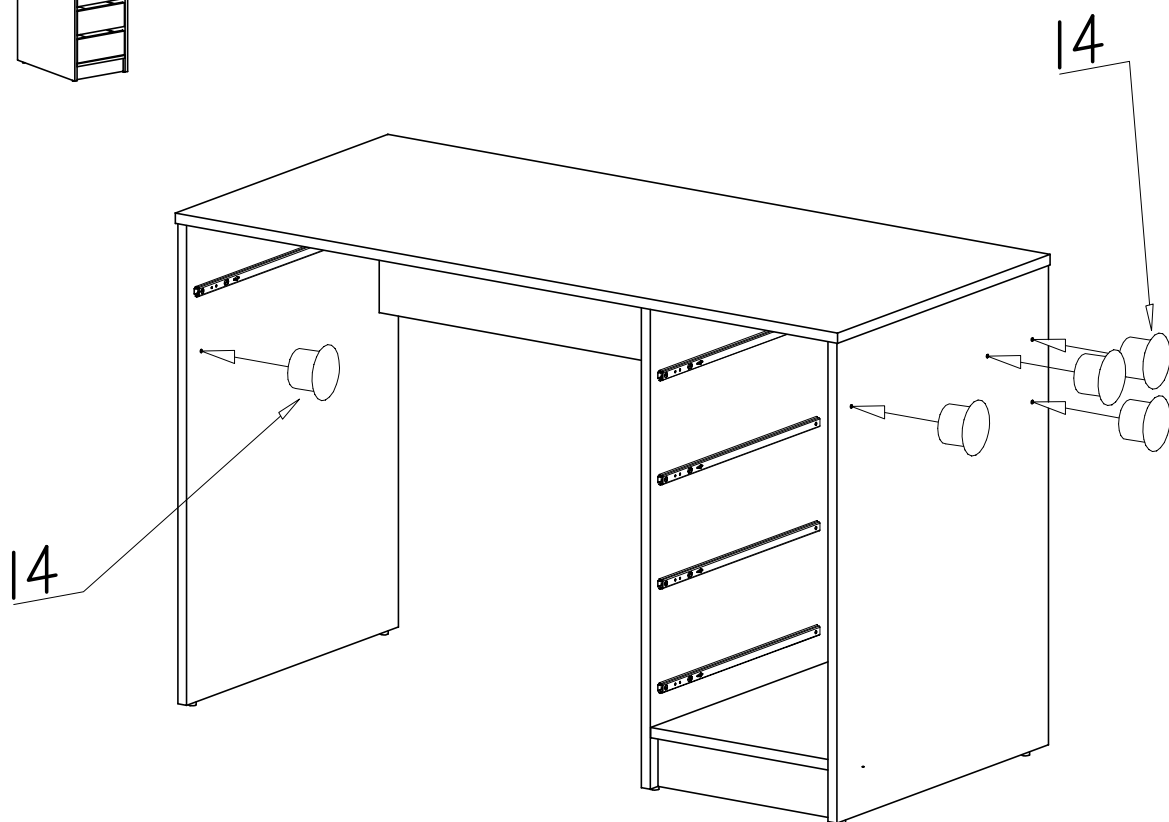
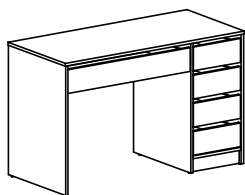


XIII

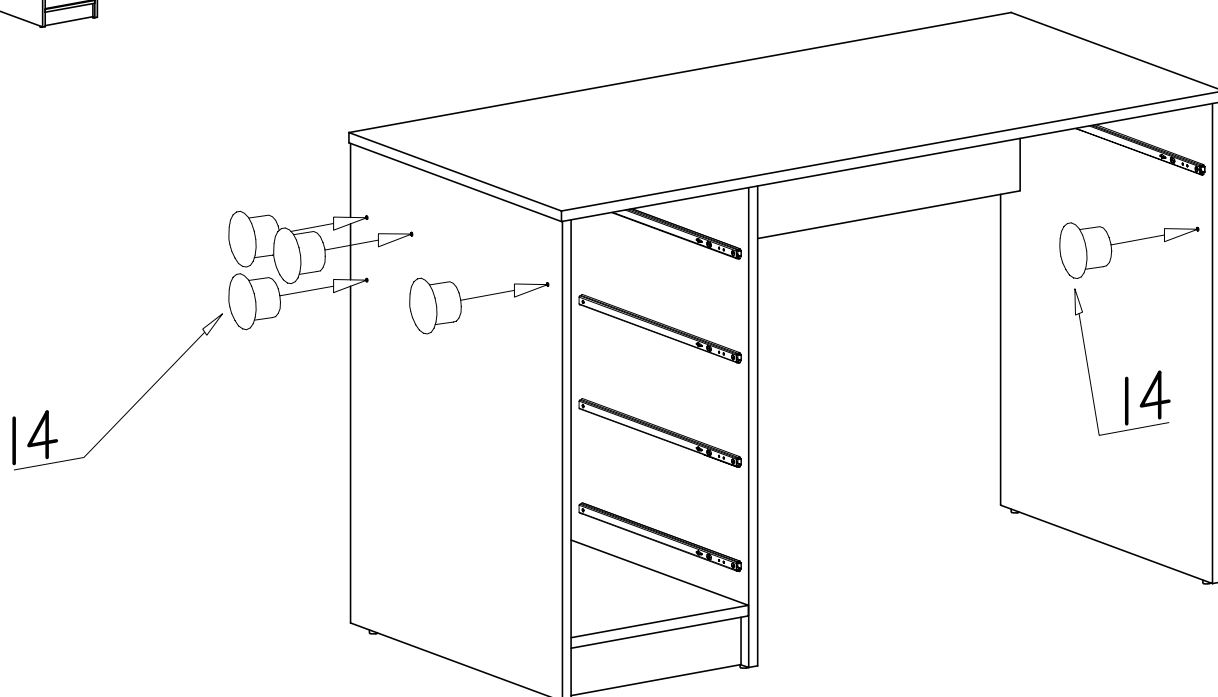
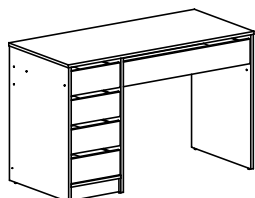


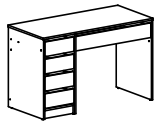


XIV

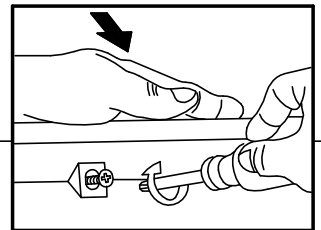
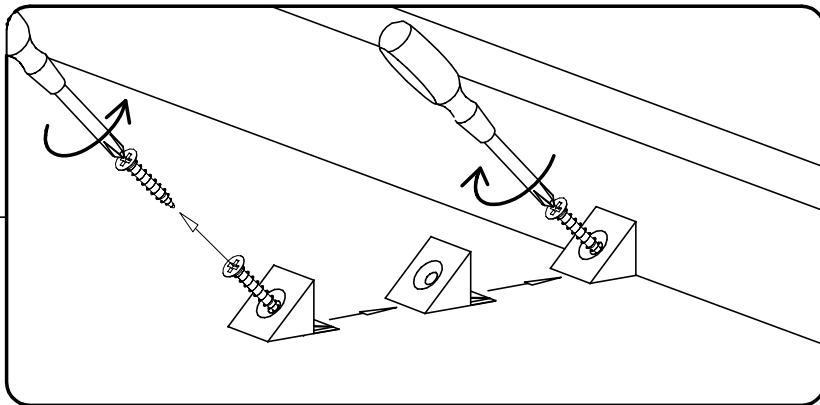
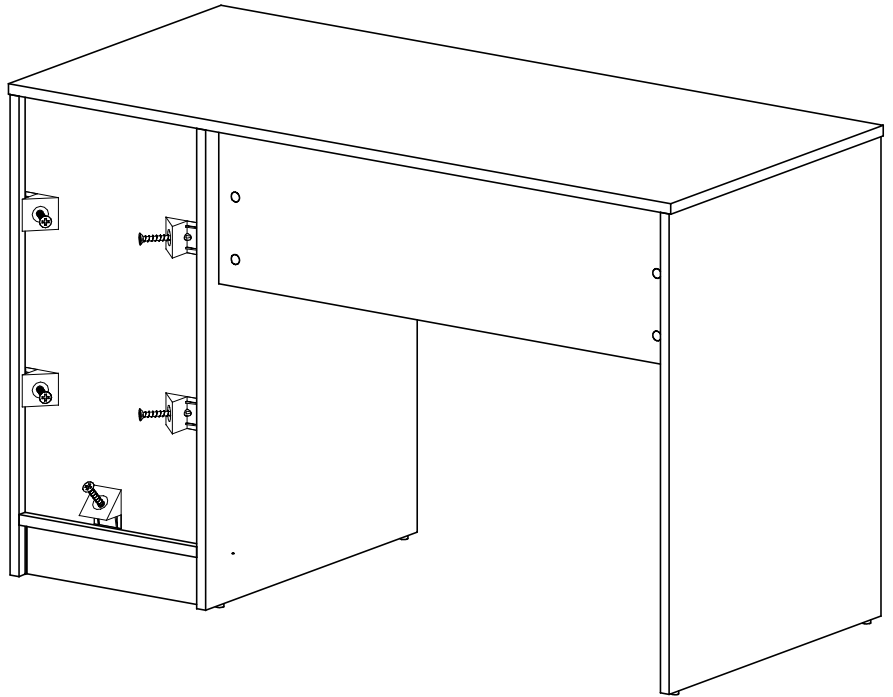
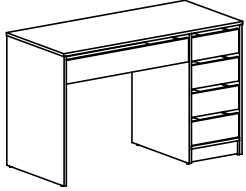


XV

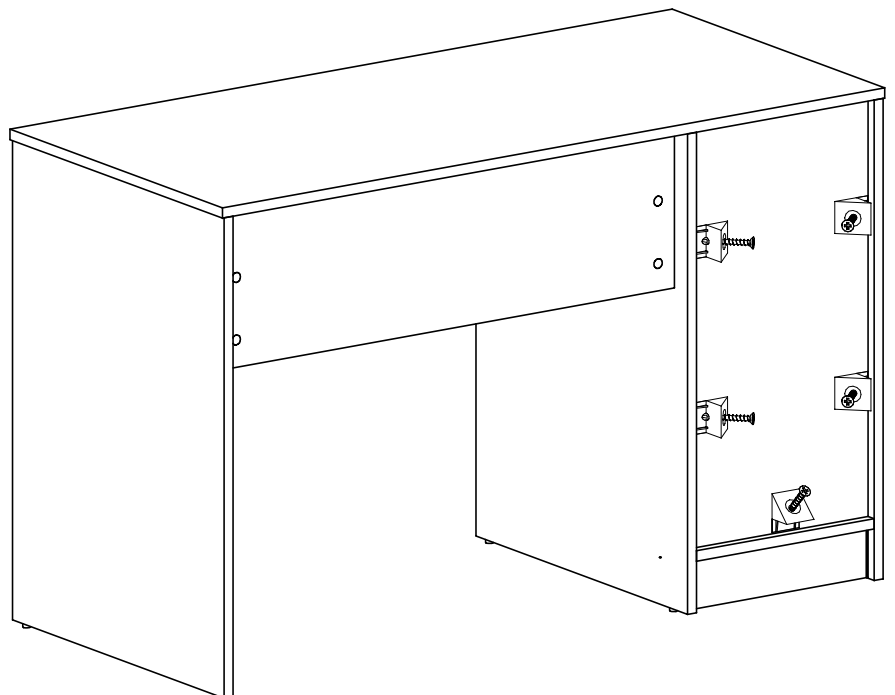
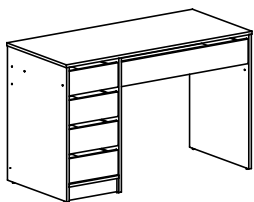


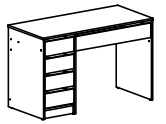


XVI

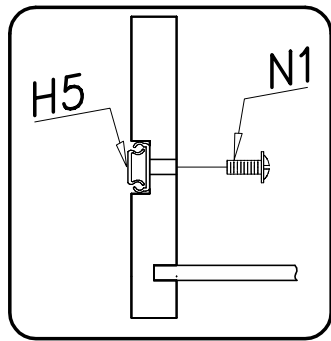
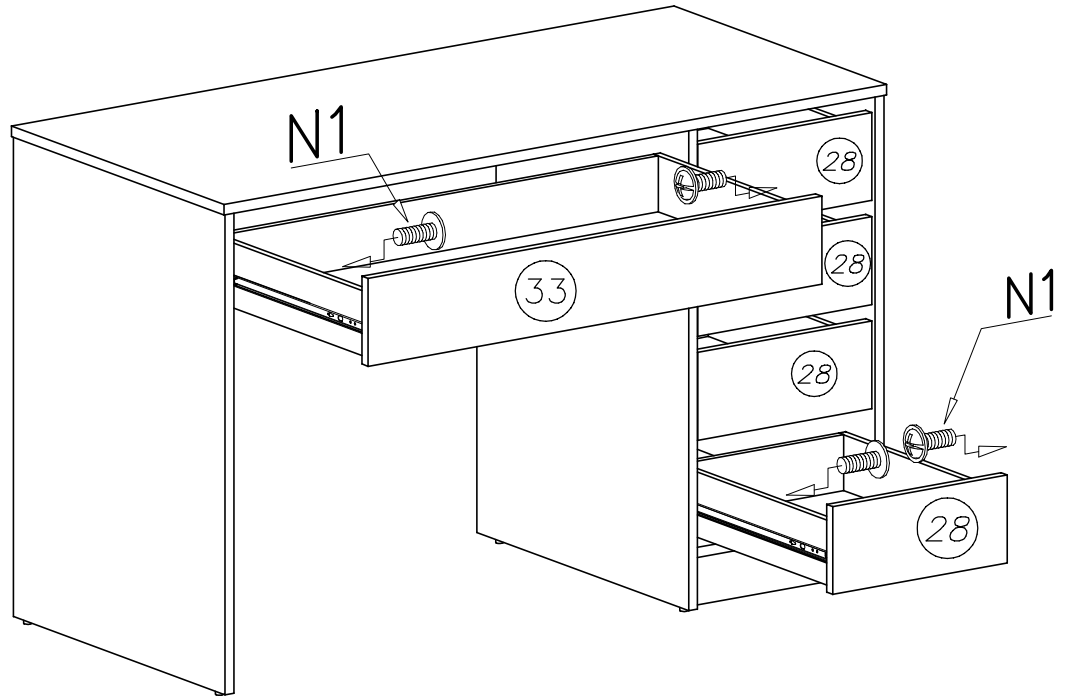
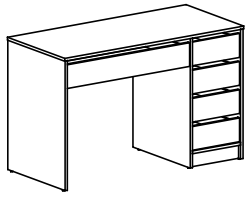


XVII





XVIII



XIX

