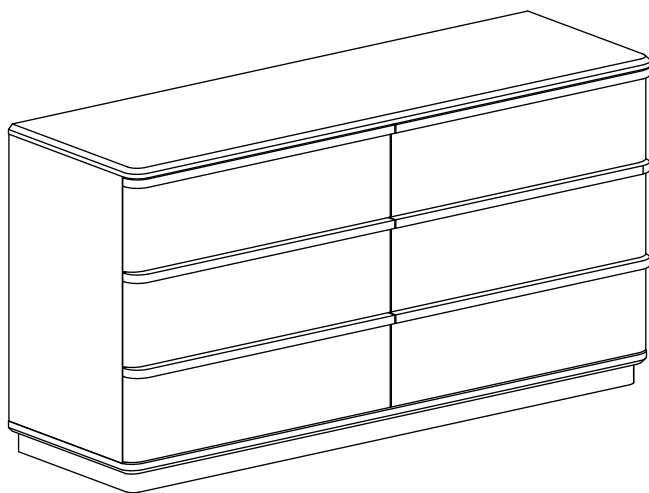


GUILLERMO 6 DRAWER WOOD DRESSER

DESIGN #SFV4271

Assembly Instructions



SAFAVIEH
C O U T U R E

Thanks for bringing Safavieh Couture into your home

Everything we make is incredibly simple to set up, including your new dresser. You won't need any additional tools.

Parts List

A x 1
DRESSER



Hardware List

HW1 x 4
Plastic Brackets



HW2 x 2
Restraint straps



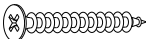
HW3 x 4
Screws 4x20mm



HW4 x 4
Plastic anchors

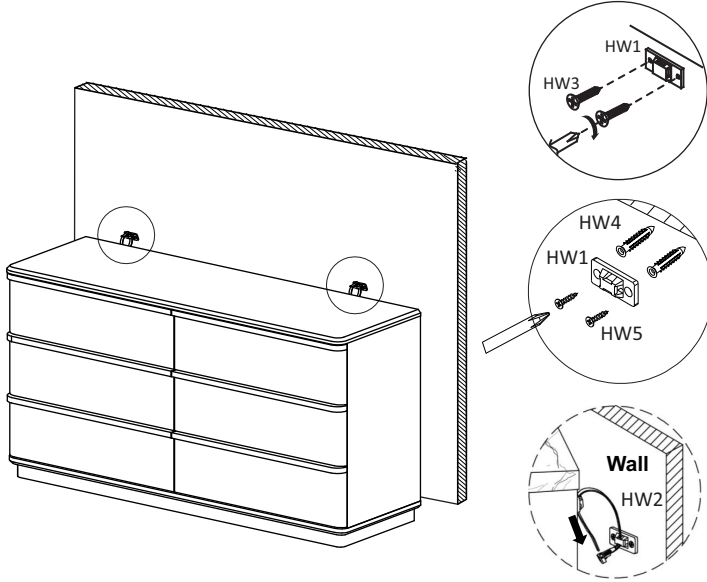


HW5 x 4
Screws 4x40mm



1

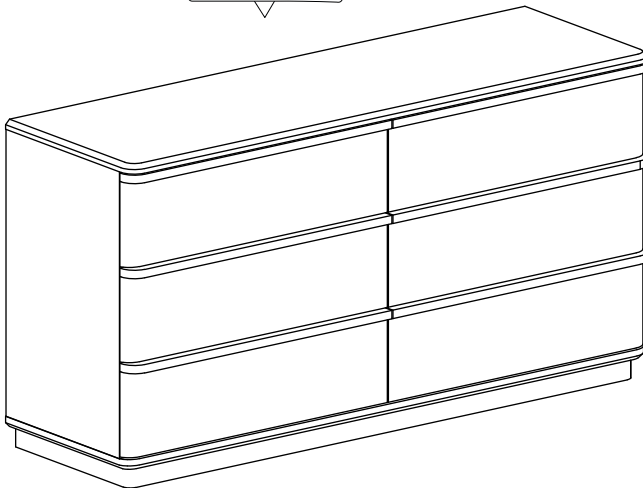
To help prevent the possibility of tipping over, install the tip over restraint kit provided.



2

Place the dresser in the place where you will use it. We'd love to see it – just tag us (we're @safavieh) and use the hashtag #safavieh on Instagram!

@safavieh



Need help?

Feel free to contact us via email or call
if you have any specific questions!

contact us:

cs@safavieh.com

866-422-9070