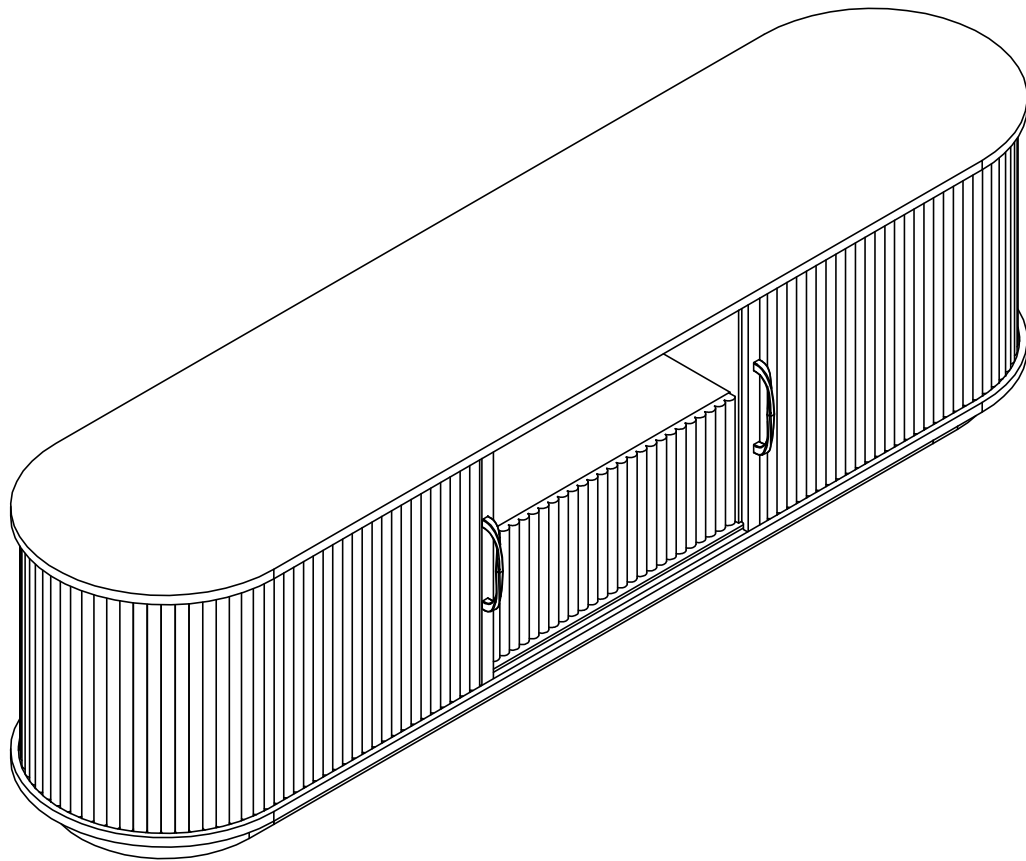


TV STAND

Assembly Instructions - Please keep for future reference



Dimensions

Width-66.93inch

Depth-15.75inch

Height-17.72inch

Important - Please read these instructions fully before starting assembly



Safety and Care Advice

Important – Please read these instructions fully before starting assembly

- Check you have all the components and tools listed on the following pages.
- Remove all fittings from the plastic bags and separate them into their groups.
- Keep children and animals away from the work area, small parts could choke if swallowed.
- Make sure you have enough space to layout the parts before starting.

- During assembly do not stand or put weight on the product, this could cause damage.
- Assemble the item as close to its final position (in the same room) as possible.
- Assemble on a soft level surface to avoid damaging the unit or your floor.
- Parts of the assembly will be easier with 2 people.



power drill is set on a low torque setting.

- To reduce the likelihood of damaging your product please ensure that your

Care and maintenance

- Only clean using a damp cloth and mild detergent, do not use bleach or abrasive cleaners.
- From time to time check that there are no loose screws on this unit.
- This product should not be discarded with household waste. Take to your local authority waste disposal centre.

Handy Hints

- Assemble all parts and bolts loosely during assembly, only once the product is complete should you fully tighten the bolts
- Regularly check and ensure That all bolts and fittings are tightend properly.

WARNING
In order to help prevent overturning – please follow these instructions

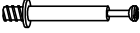


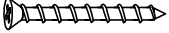
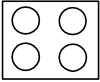









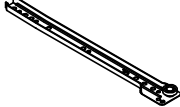
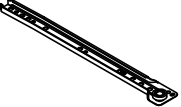

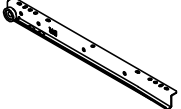
To help prevent product toppling over please follow the below steps:-

- Use the anti tip stap or wall fixing method provided (if applicable)
- Do not allow children to climb or hang on the furniture
- Do not open more than one drawer at a time
- Do not place heavy items in the top drawers
- Do not place heavy items on top of the furniture, unless the furniture has been designed for this purpose

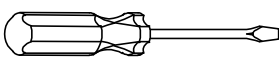
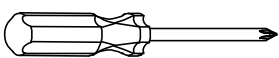
Components-Fittings

Please check you have all the panels listed below

Note: The quantities below are the correct amount to complete the assembly. In some cases more fittings may be supplied than are required.

<p>(A)</p>  <p>6*35mm Cam Bolt x 16+2</p>	<p>(B)</p>  <p>15*9mm Cam Lock x 16+2</p>	<p>(C)</p>  <p>8*30mm Dowel x 26+2</p>	<p>(D)</p>  <p>4*40mm Screw x 12+2</p>
<p>(E)</p>  <p>Hole to stick x 16+2</p>	<p>(F)</p>  <p>Metal handle x 2</p>	<p>(G)</p>  <p>Phillips screwdriver x 1</p>	<p>(H)</p>  <p>3.0*14mm Screw x 20+2</p>
<p>(I)</p>  <p>35*25*5mm EVA x 8</p>	<p>(J)</p>  <p>Back plate buckle x 12+2</p>	<p>(K)</p>  <p>Shelf bracket x 8+2</p>	<p>(L)</p>  <p>Allen key x 1</p>
<p>(M)</p>  <p>M6*55mm Screw x 14+2</p>	<p>(N)</p>  <p>4.0*16mm Screw x 4</p>	<p>(CL)</p>  <p>300mm runner x 1</p>	<p>(CR)</p>  <p>300mm runner x 1</p>
<p>(DL)</p>  <p>300mm runner x 1</p>	<p>(DR)</p>  <p>300mm runner x 1</p>		

Tools required



Phillips screwdriver or
flat-head screwdriver

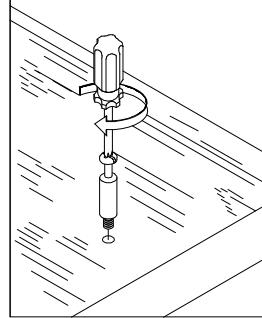
Using Camlocks

Step 1

Connect the male camlock as directed in the assembly instructions using a screwdriver.

1

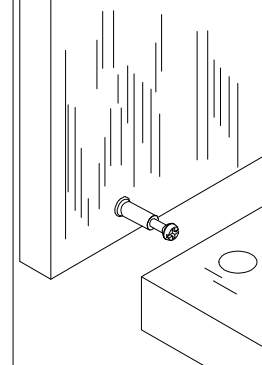
DO NOT OVER TIGHTEN.
NE PAS SERRER EXCESSIVEMENT.



Step 2

Push the male camlock into the entry hole.

2

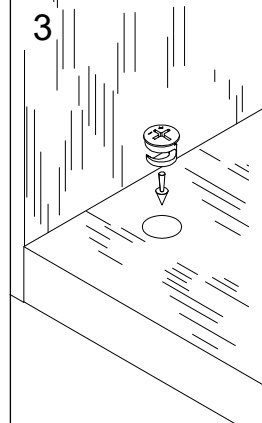


Step 3

Insert the female camlock as shown in the instruction.

Note: ensure that the arrow on the top of the camlock points towards the entry hole for the male camlock.

3



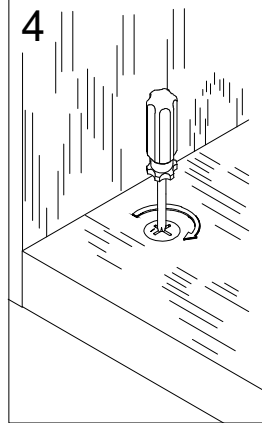
Step 4

Turn the female camlock clockwise with a screwdriver.

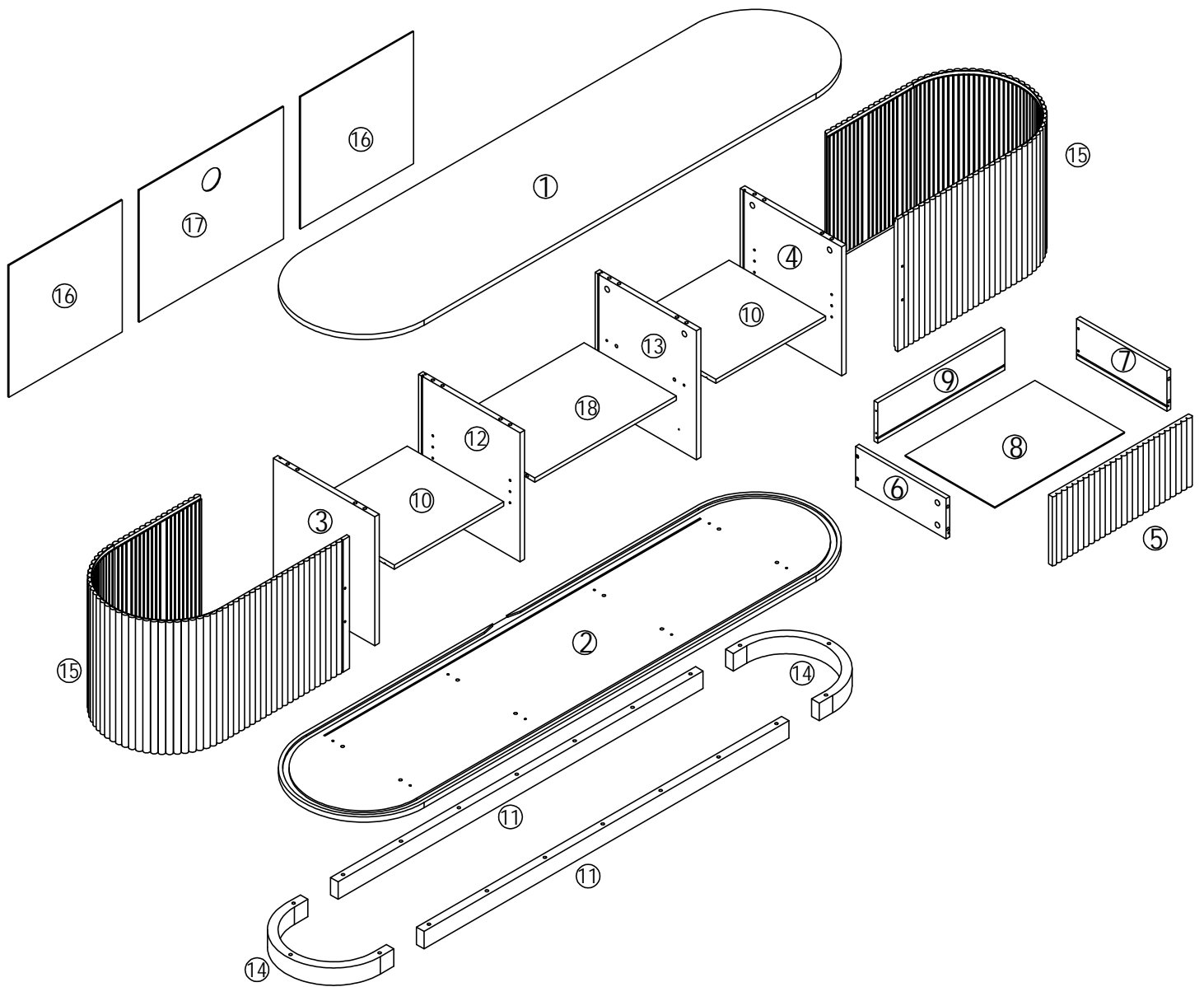
You should feel a click when the camlock is locked in place.

The joint is now secure.

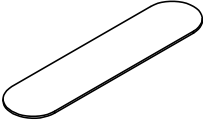
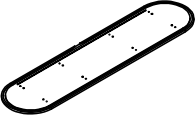
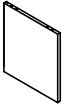

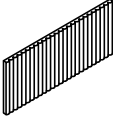
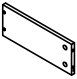
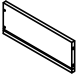
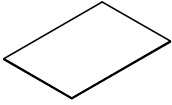
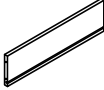
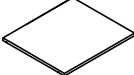

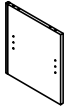
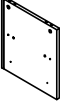
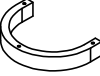
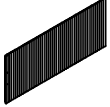
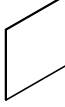
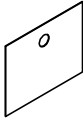
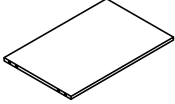
4



Assembly Instructions

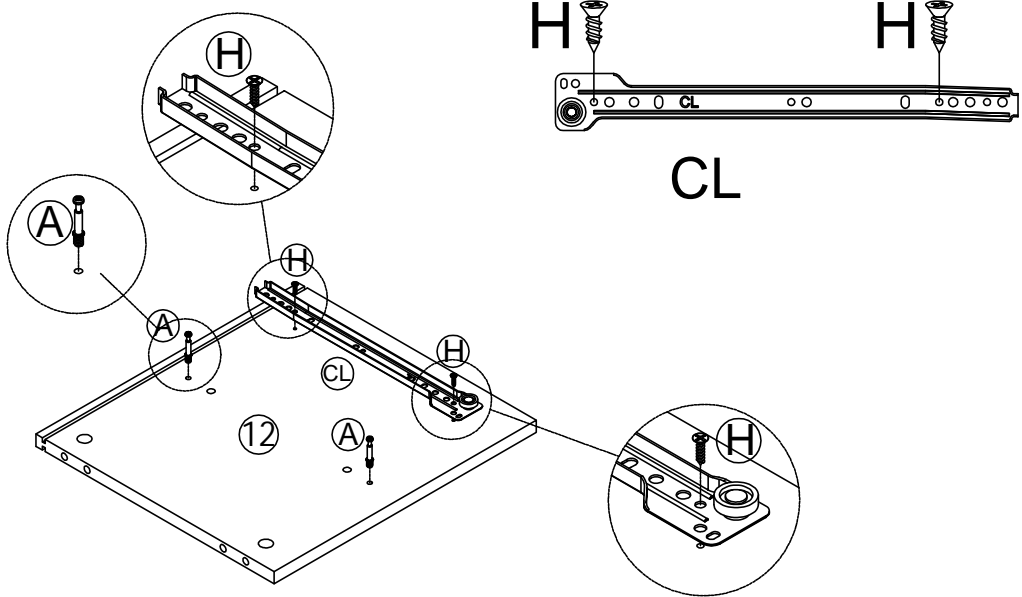


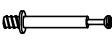

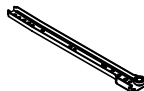
Assembly Instructions

 <p>1700*400*15mm ① X1</p>	 <p>1700*400*15mm ② X1</p>	 <p>370*336*15mm ③ X1</p>	 <p>370*336*15mm ④ X1</p>
 <p>464*198*15mm ⑤ X1</p>	 <p>300*116*12mm ⑥ X1</p>	 <p>300*116*12mm ⑦ X1</p>	 <p>429*297*3mm ⑧ X1</p>
 <p>420*116*12mm ⑨ X1</p>	 <p>363.5*320*12mm ⑩ X2</p>	 <p>1210*50*25mm ⑪ X2</p>	 <p>370*336*15mm ⑫ X1</p>
 <p>370*336*15mm ⑬ X1</p>	 <p>310*200*50mm ⑭ X2</p>	 <p>1105*379*12mm ⑮ X2</p>	 <p>379*375.5*3mm ⑯ X2</p>
 <p>479*379*3mm ⑰ X1</p>	 <p>470*306*15mm ⑱ X1</p>		

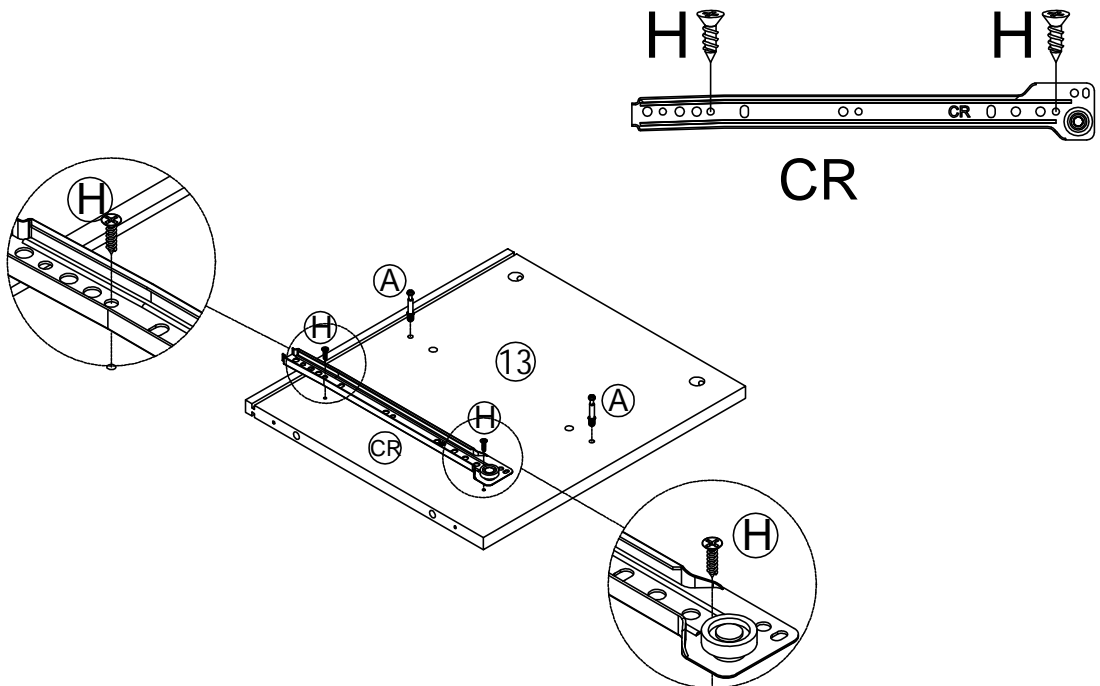
Assembly Instructions

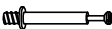


Step 1



<p>(A)</p>  <p>6*35mm Cam Bolt x 2</p>	<p>(H)</p>  <p>3.0*14mm Screw x 2</p>	<p>(CL)</p>  <p>300mm runner x 1</p>
---	--	---

Step 2



<p>(A)</p>  <p>6*35mm Cam Bolt x 2</p>	<p>(H)</p>  <p>3.0*14mm Screw x 2</p>	<p>(CR)</p>  <p>300mm runner x 1</p>
---	--	---

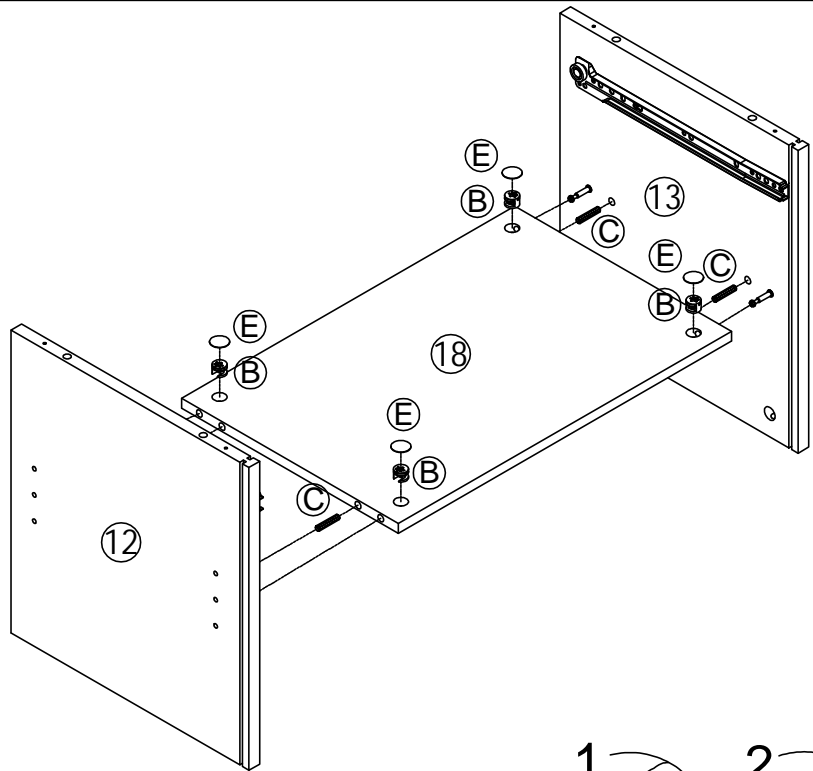
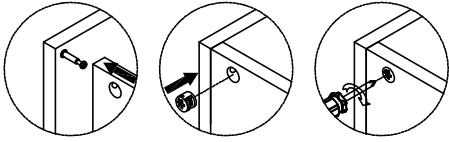
Assembly Instructions



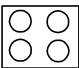
Step 3

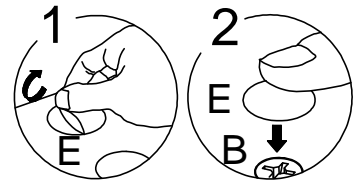
Step 1

Step 2

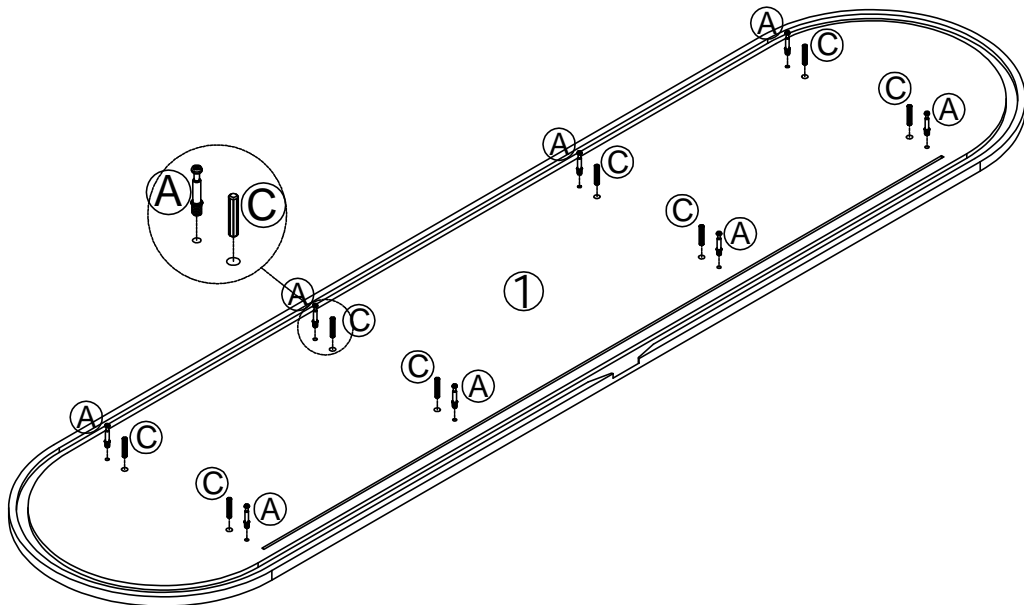
Step 3

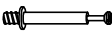



<p>C</p>  <p>8*30mm Dowel x 4</p>	<p>B</p>  <p>15*9mm Cam lock x 4</p>	<p>E</p>  <p>Hole to stick x 4</p>
---	--	--



Step 4

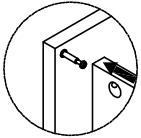


<p>A</p>  <p>6*35mm Cam Bolt x 8</p>	<p>C</p>  <p>8*30mm Dowel x 8</p>
--	---

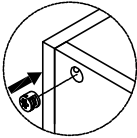
Assembly Instructions

Step 5

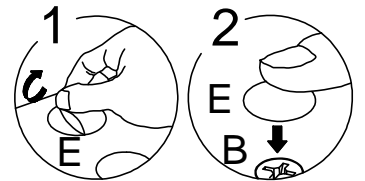
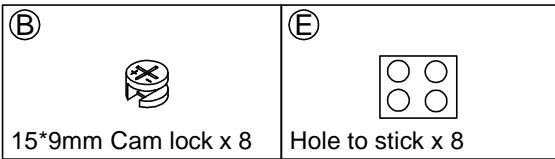
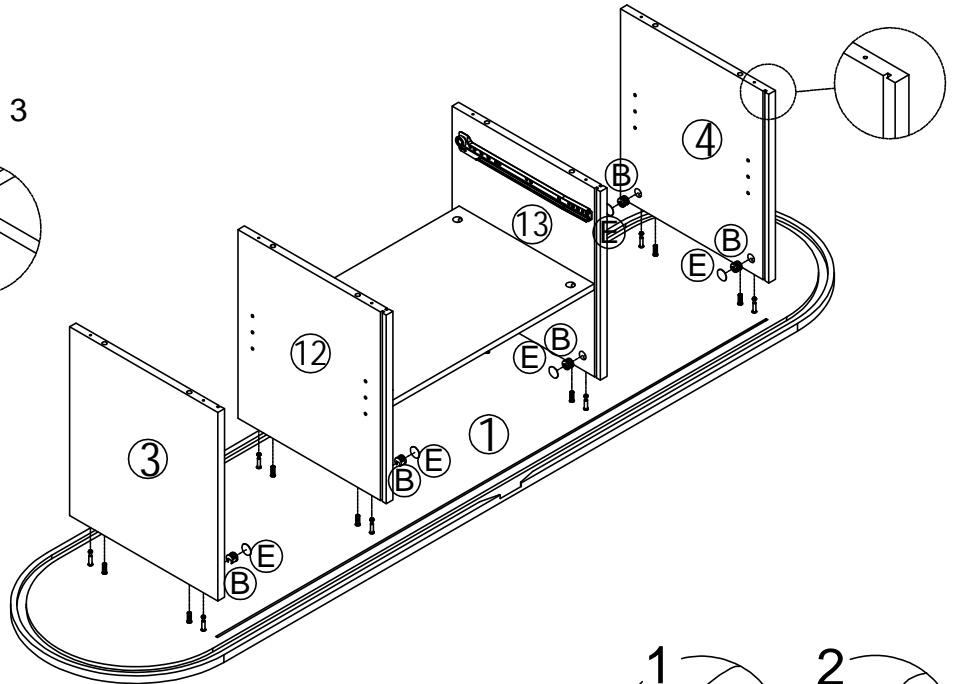
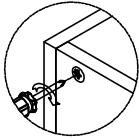
Step 1



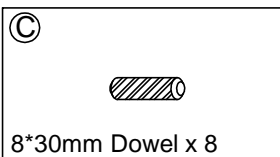
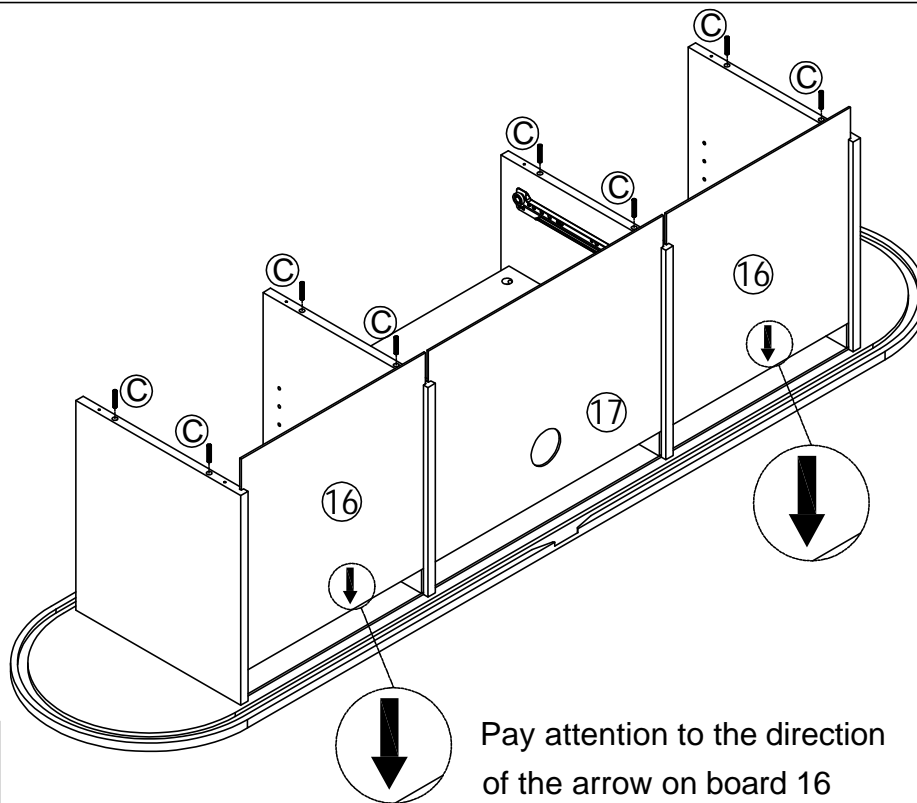
Step 2



Step 3



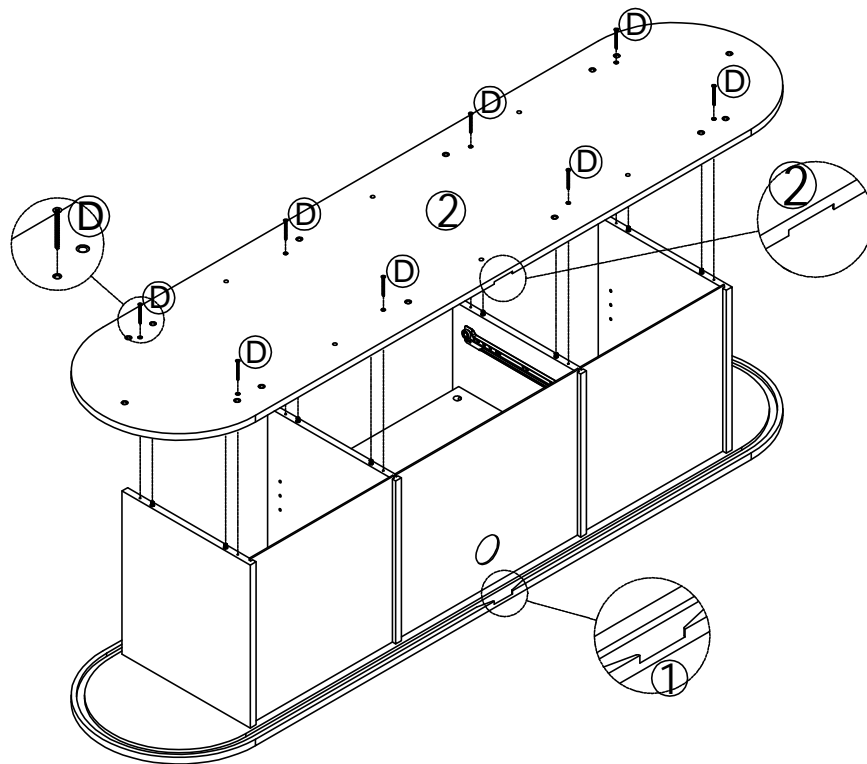
Step 6



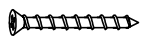
Pay attention to the direction of the arrow on board 16

Assembly Instructions

Step 7

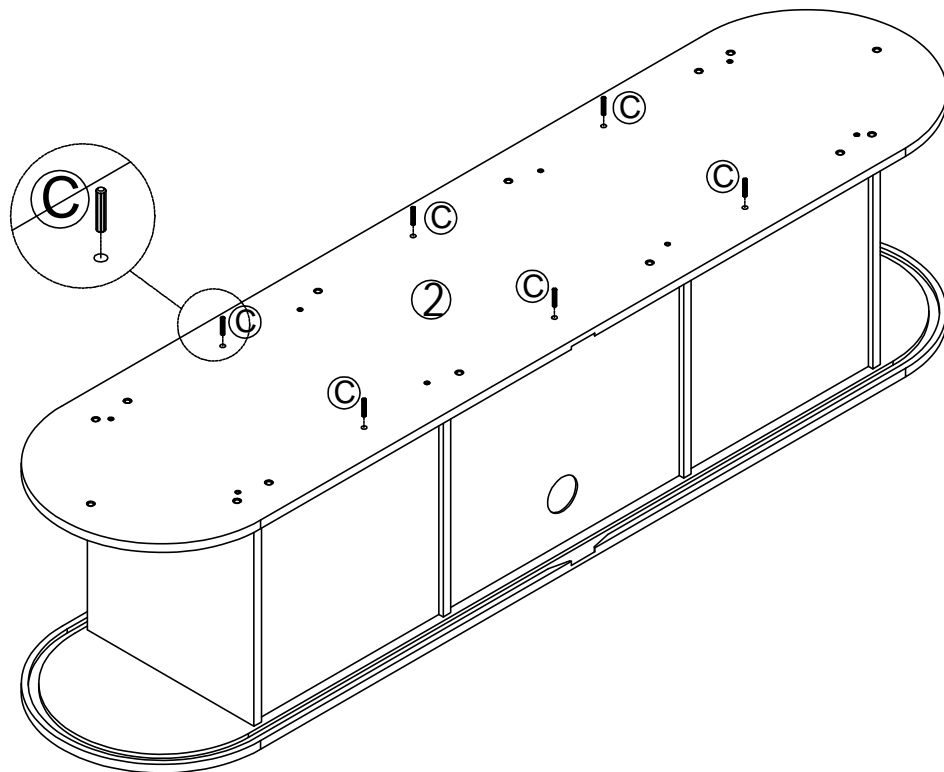


D



4*40mm Screw x 8

Step 8



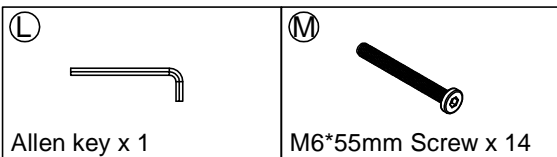
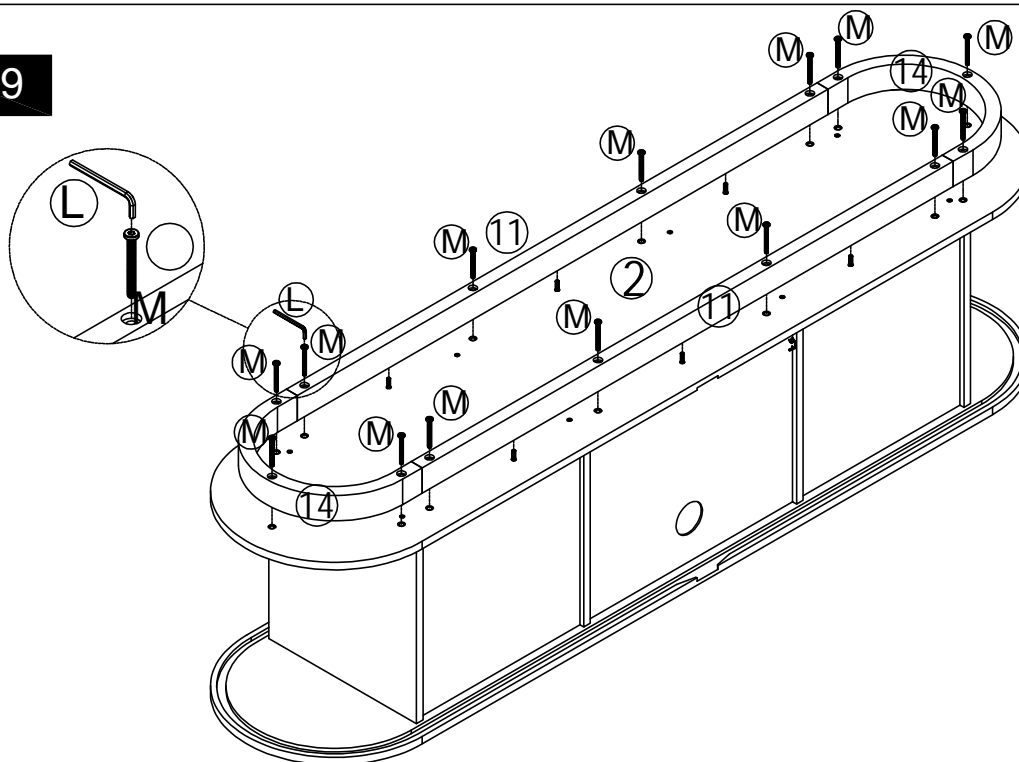
C



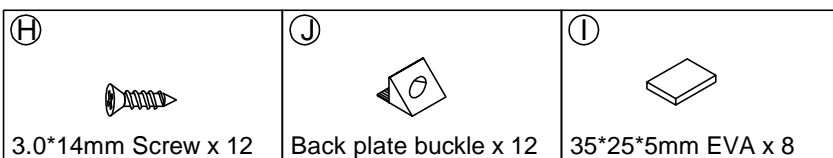
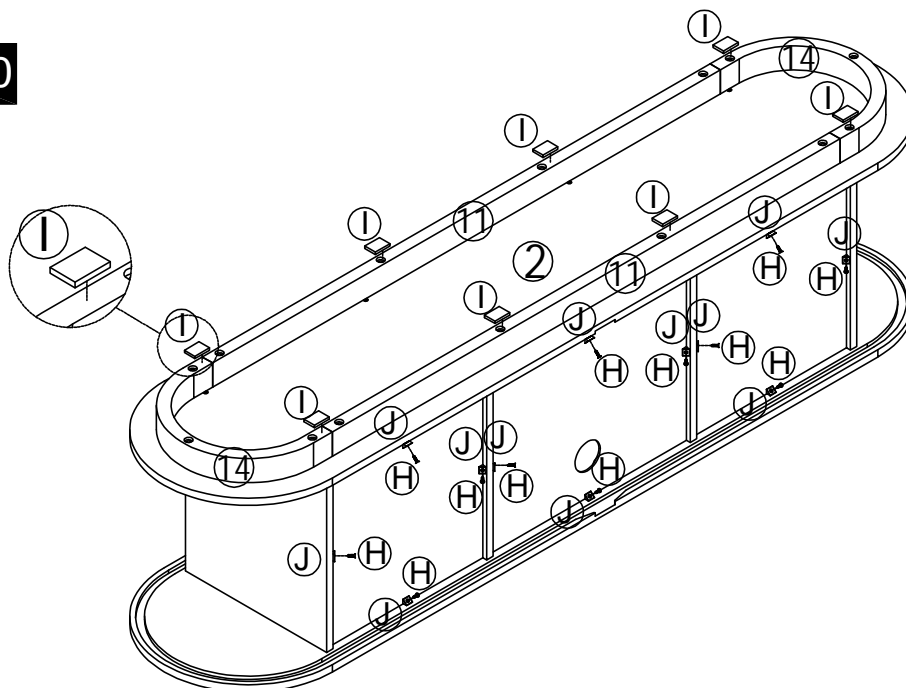
8*30mm Dowel x 6

Assembly Instructions

Step 9



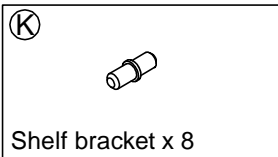
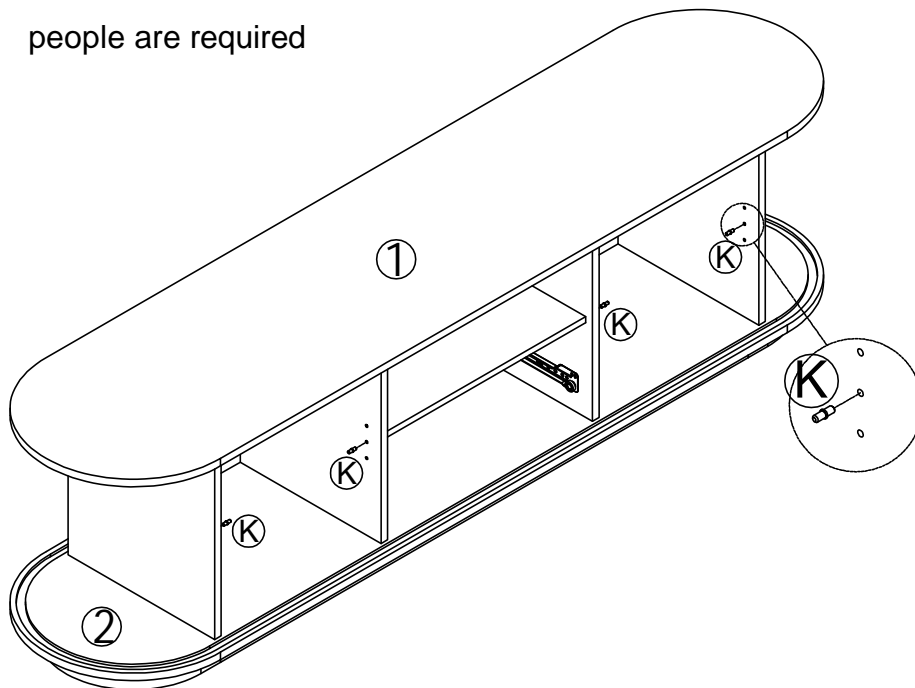
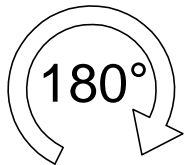
Step 10



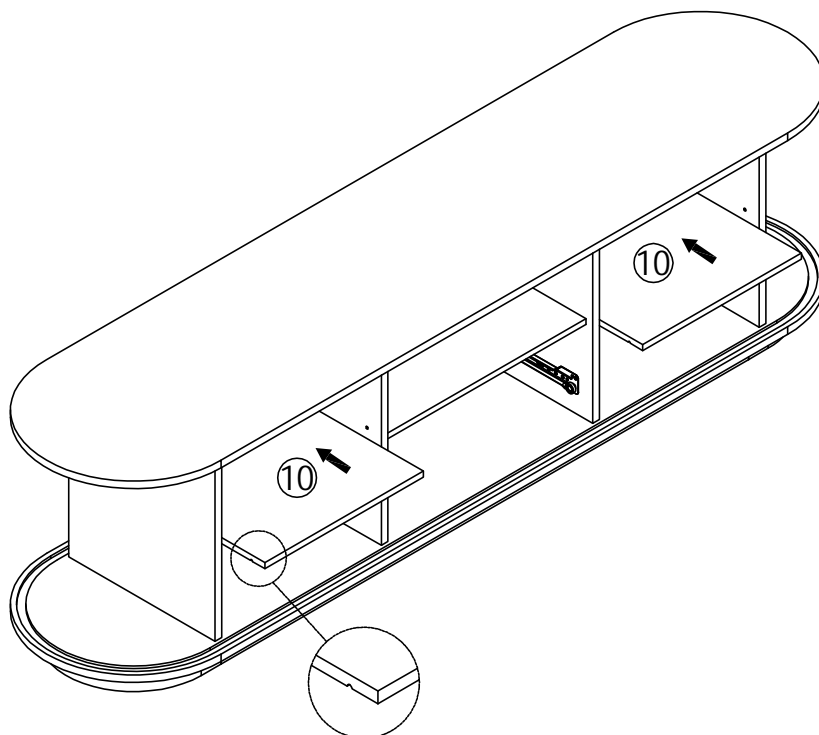
Assembly Instructions

Step 11

Be careful! At least two people are required

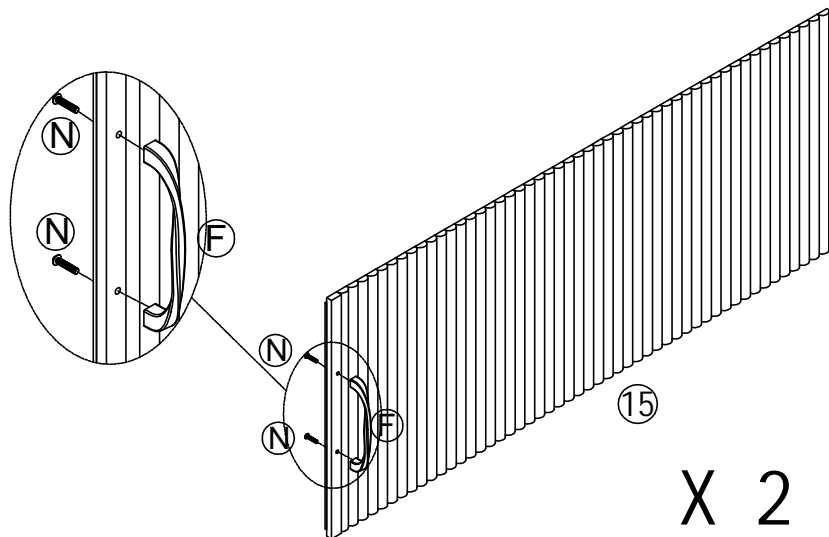


Step 12



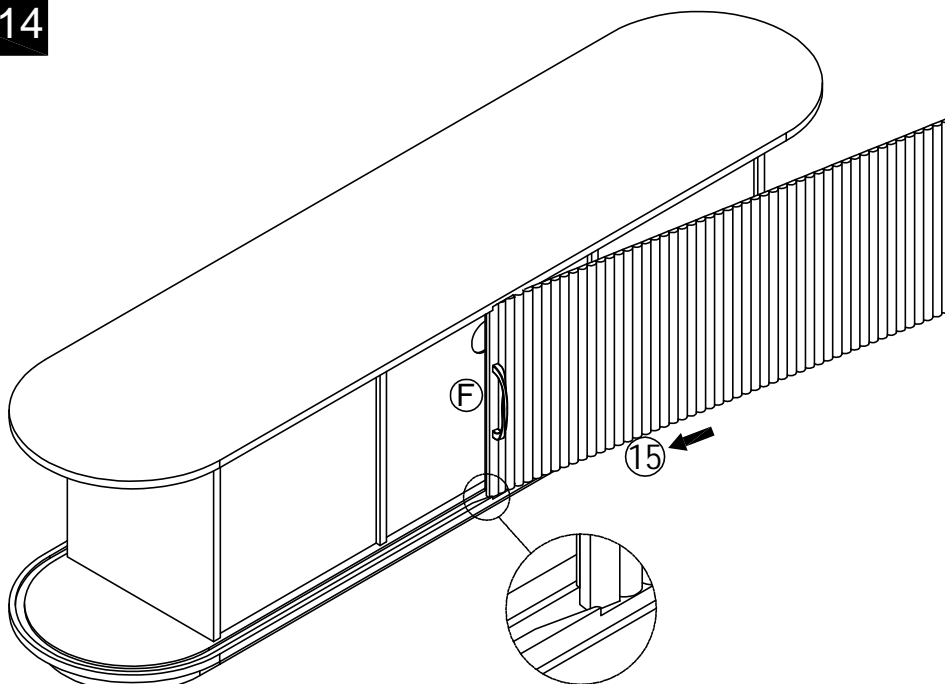
Assembly Instructions

Step 13



 Metal handle x 2	 4.0*16mm Screw x 4
----------------------	------------------------

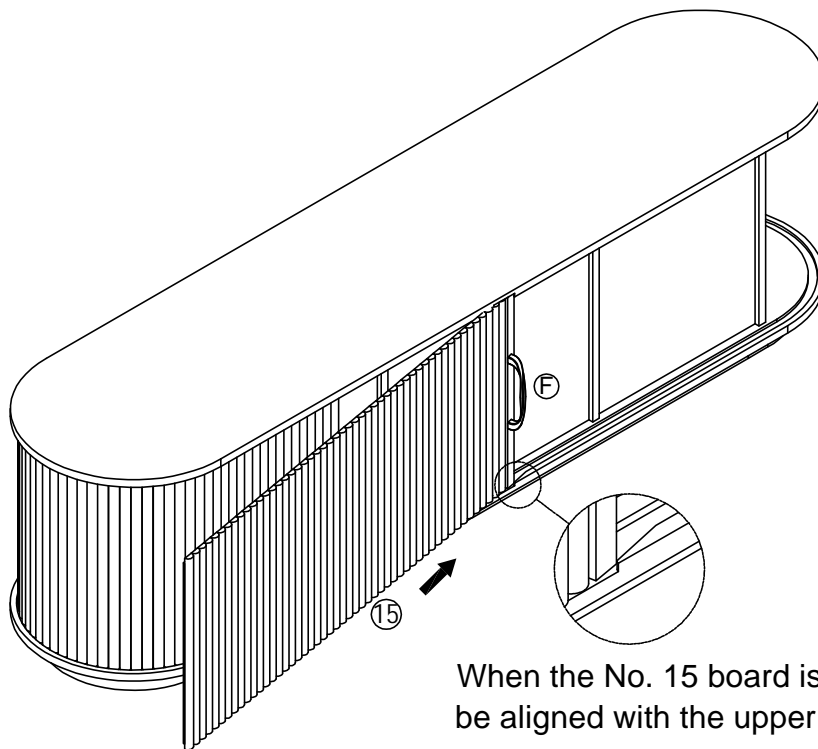
Step 14



When the No. 15 board is pushed in, it should be aligned with the upper and lower slots, and the handle F should face outward

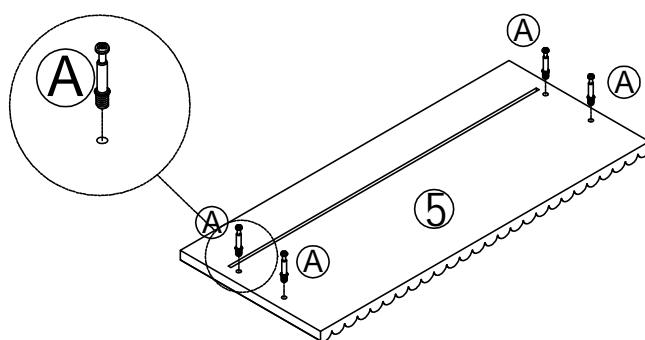
Assembly Instructions

Step 15

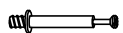


When the No. 15 board is pushed in, it should be aligned with the upper and lower slots, and the handle F should face outward

Step 16



(A)



6*35mm Cam Bolt x 4

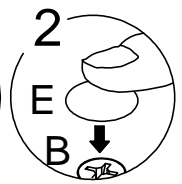
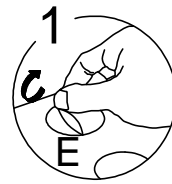
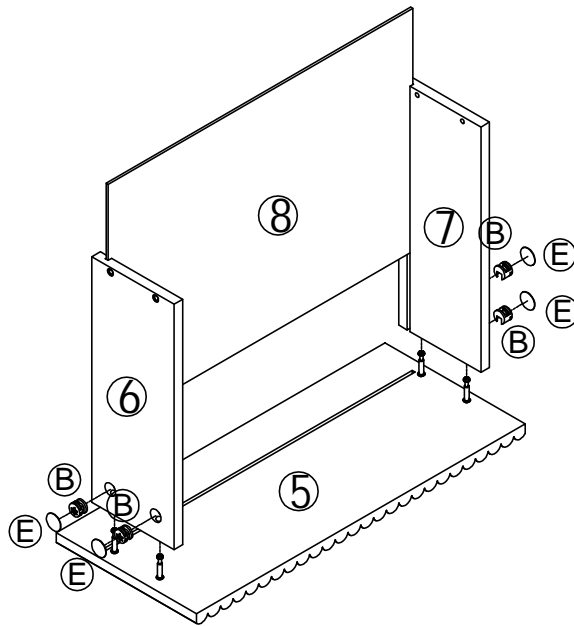
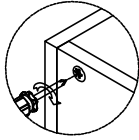
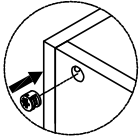
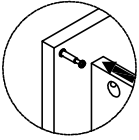
Assembly Instructions


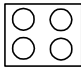
Step 17

Step 1

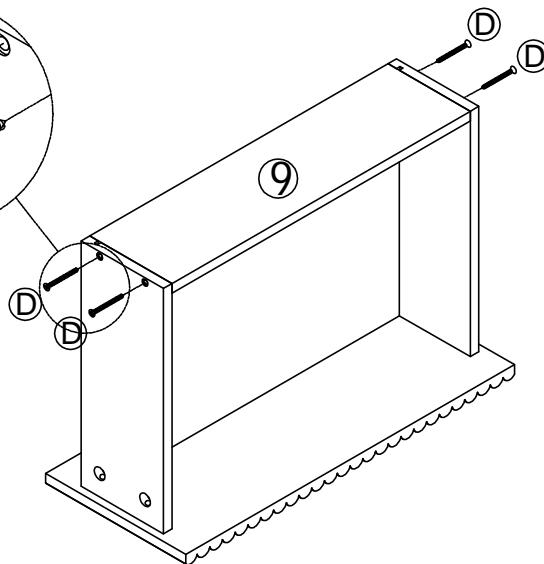
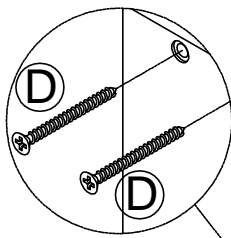
Step 2

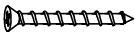
Step 3



<p>(B)</p>  <p>15*9mm Cam lock x 4</p>	<p>(E)</p>  <p>Hole to stick x 4</p>
---	---

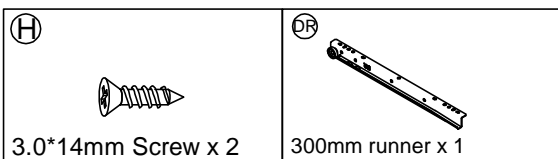
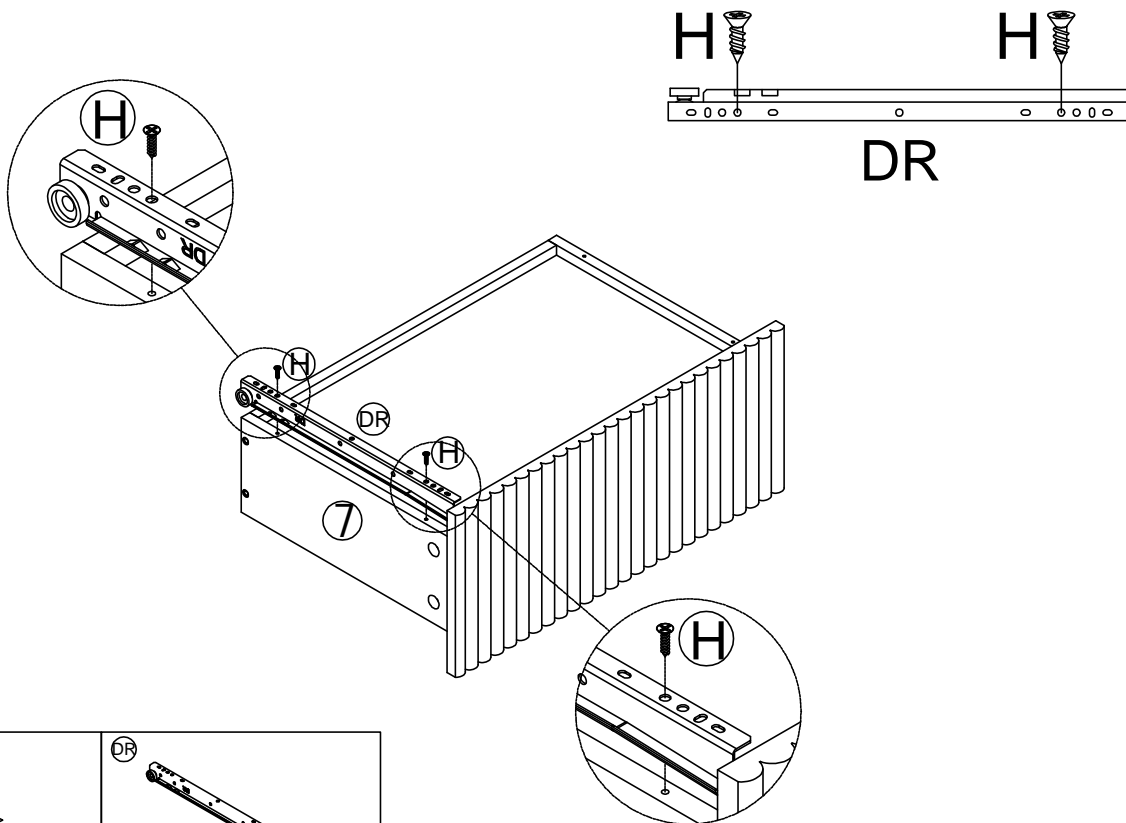
Step 18



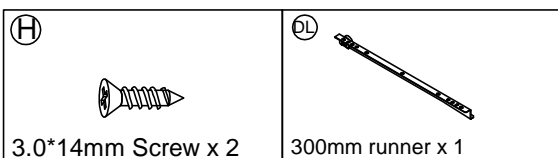
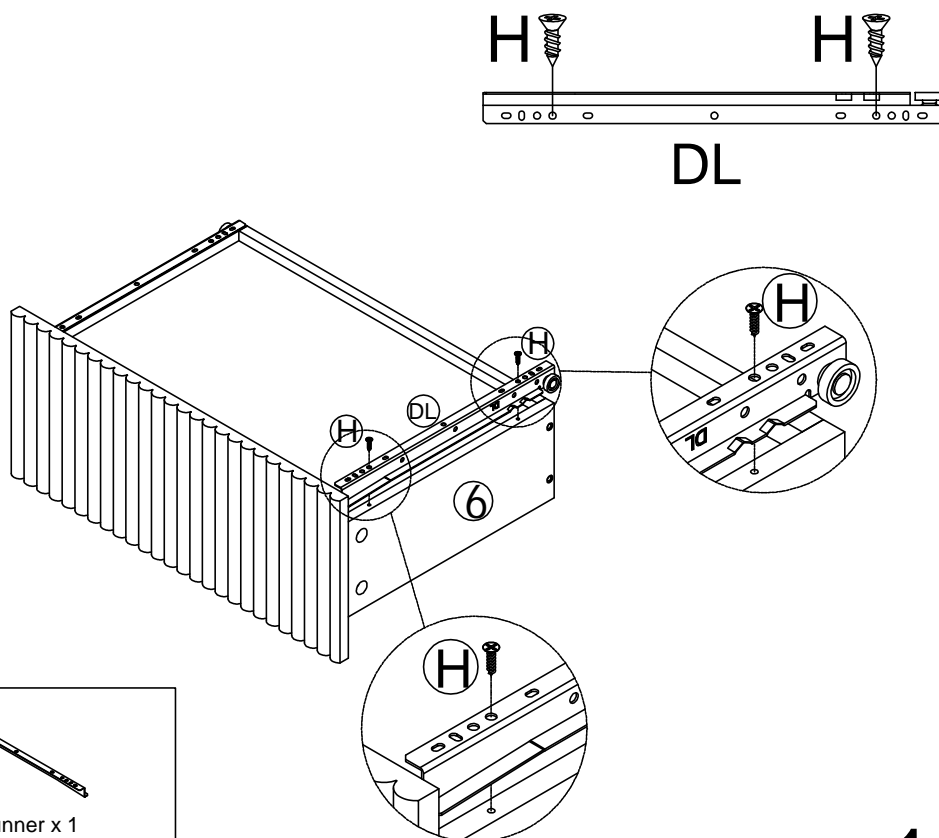
<p>(D)</p>  <p>4*40mm Screw x 4</p>
--

Assembly Instructions

Step 19

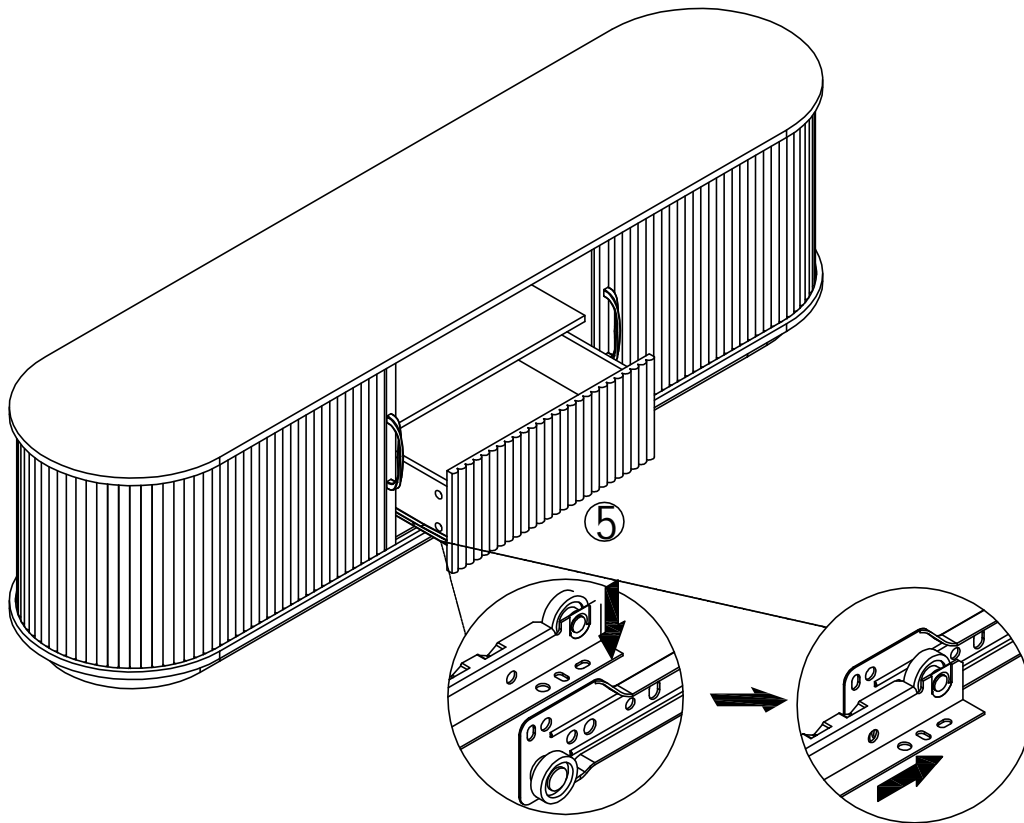


Step 20



Assembly Instructions

Step 21



FINISH

