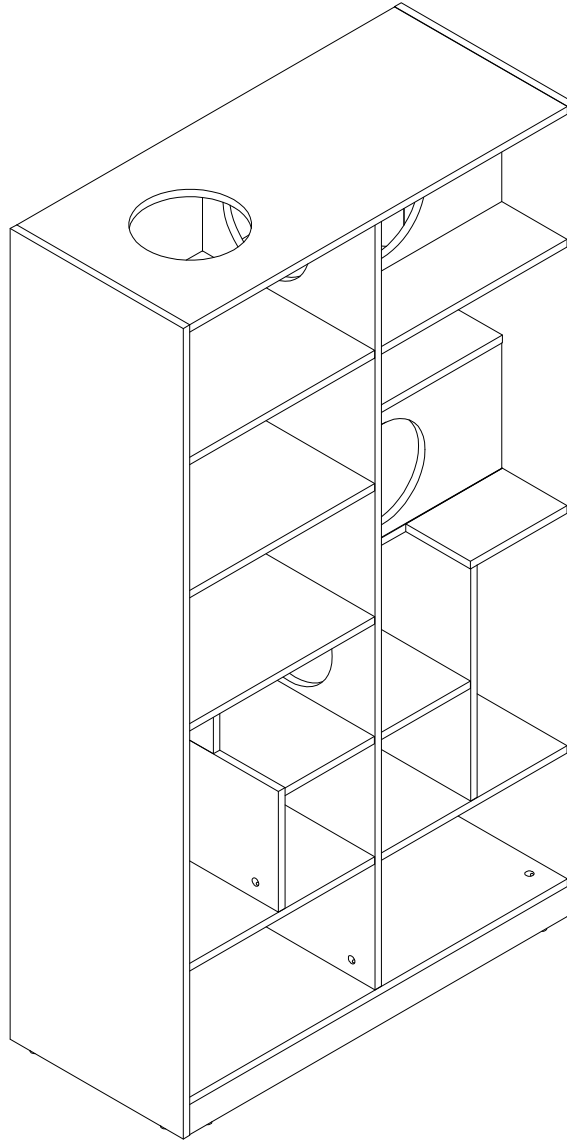


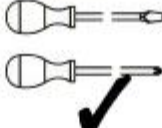



N843P254852N

Product manual



Importeur	Decobus Handel GmbH
Adresse	Innungsstraße 9,21244 Buchholz, Deutschland
URL	https://www.decobusgroup.de
Hersteller	Sichuan Subei E-commerce Co.,Ltd
Adresse	Floor 3, Room 301, Building B1, Minghu Science and Technology Park, No. 99, Chenke Street, in the middle of Chenxi Avenue, Chongzhou City, Chengdu
Email/URL	ivanwang2010@126.com
EC REP	Decobus Handel GmbH Innungsstraße 9,21244 Buchholz, Deutschland https://www.decobusgroup.de

 2PERS	 45 MIN	<p><u>Tool Required Not Provided</u></p>  
--	---	--



Warning: Please read these instructions fully before starting assembly. Check you have all the components and tools listed on pages. Keep the instructions for later reference. Parts of the assembly will be easier with 2 people. Seek professional assistance if necessary.

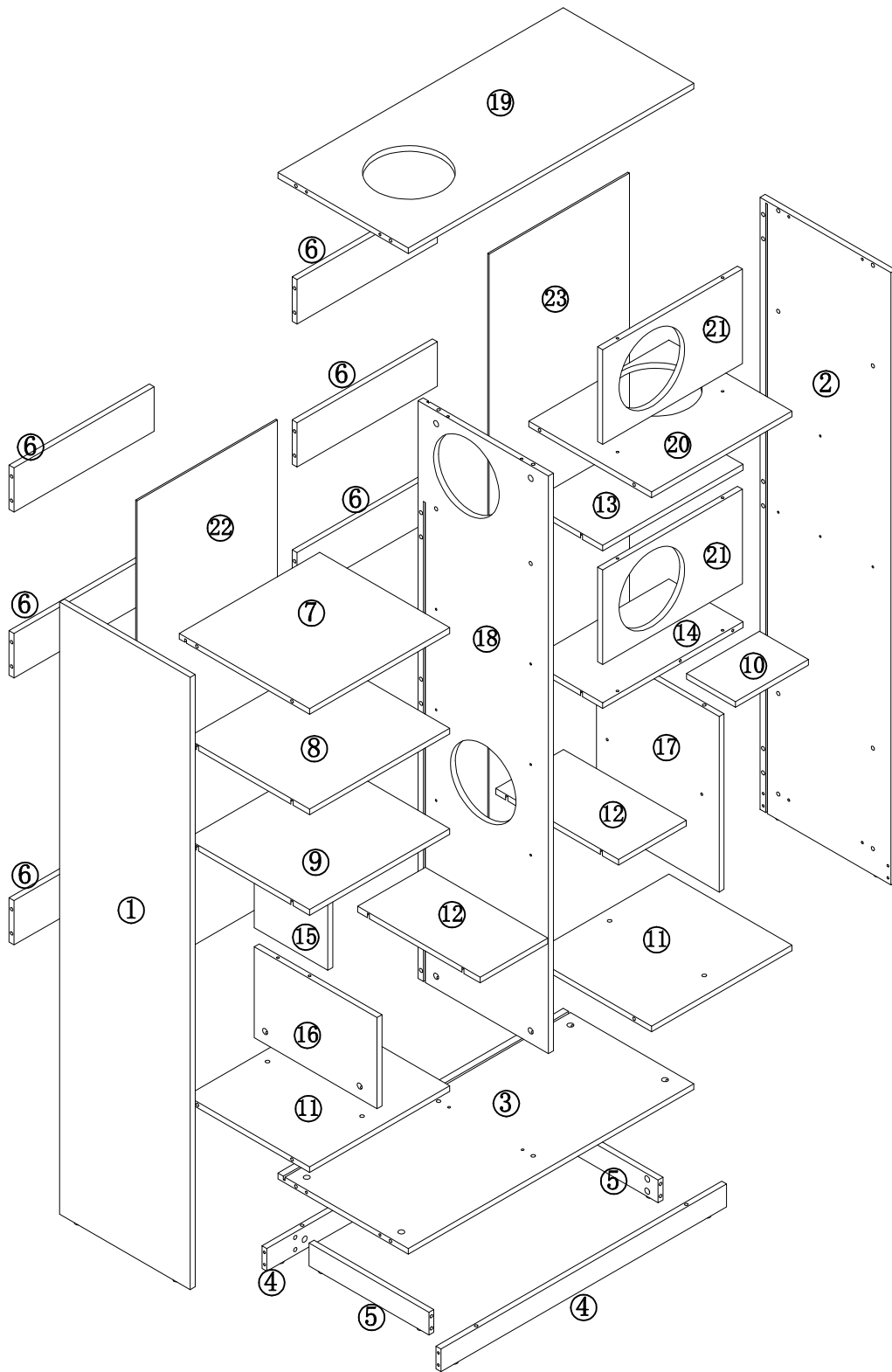
Warning: Please place all parts on a flat surface. Place a soft blanket or similar underneath to protect against scratches or stains. Avoid dragging or sliding components across the floor.

Warning: Regularly check all fittings and fastenings to ensure they are secure and to prevent accidents. If any parts are missing, broken, damaged, or worn, discontinue use of the product until repairs have been made using factory authorized parts.

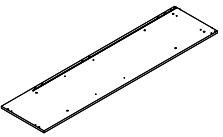
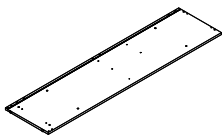
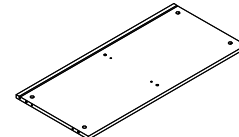
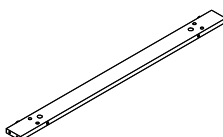
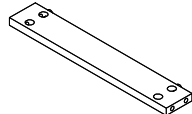
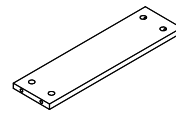
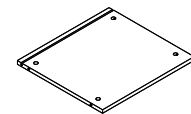
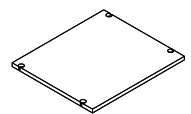
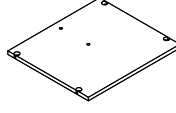
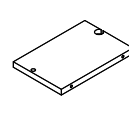
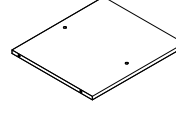
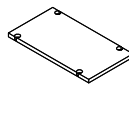
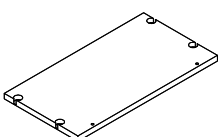
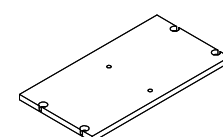
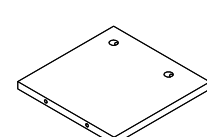
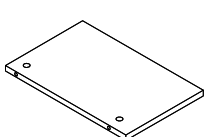
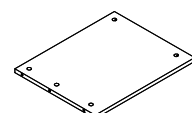
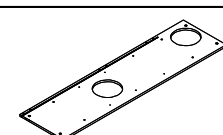
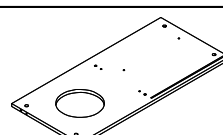
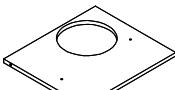
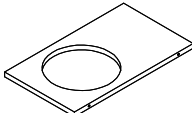
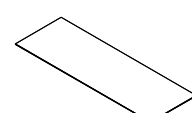
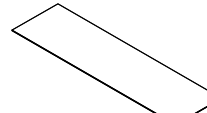
Warning: Do not allow children to climb on the furniture as this may result in tipping and serious personal injury. Assemble the furniture away from the reach of children.

Warning: Do not place furniture close to fire sources or high-temperature objects to avoid the risk of fire. Do not place furniture in damp environments to prevent material damage.

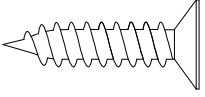
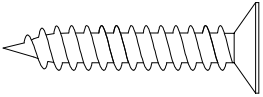
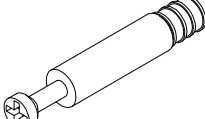
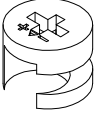
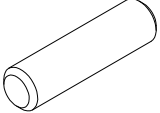
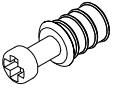
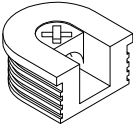
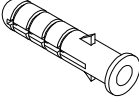
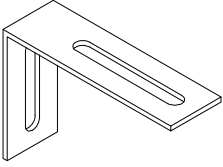
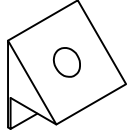

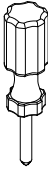
Warning: Clean furniture with a damp cloth or alcohol, avoid using cleaning agents containing corrosive chemicals.

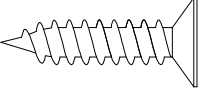
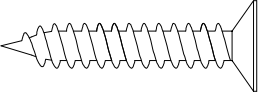


**Parts List for
N843P254852N**

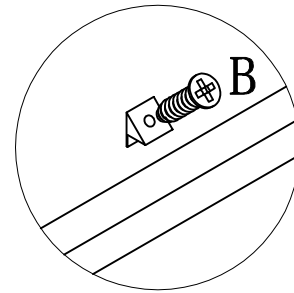
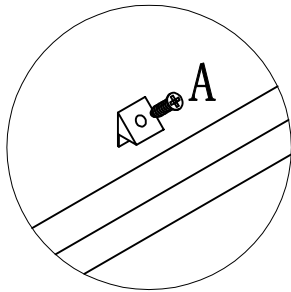
			
① x1pc	② x1pc	③ x1pc	④ x2pcs
			
⑤ x2pcs	⑥ x6pcs	⑦ x1pc	⑧ x1pc
			
⑨ x1pc	⑩ x1pc	⑪ x2pcs	⑫ x2pcs
			
⑬ x1pc	⑭ x1pc	⑮ x1pc	⑯ x1pc
			
⑰ x1pc	⑱ x1pc	⑲ x1pc	⑳ x1pc
			
㉑ x1pc	㉒ x1pc	㉓ x1pc	

Hardware List for
N843P254852N

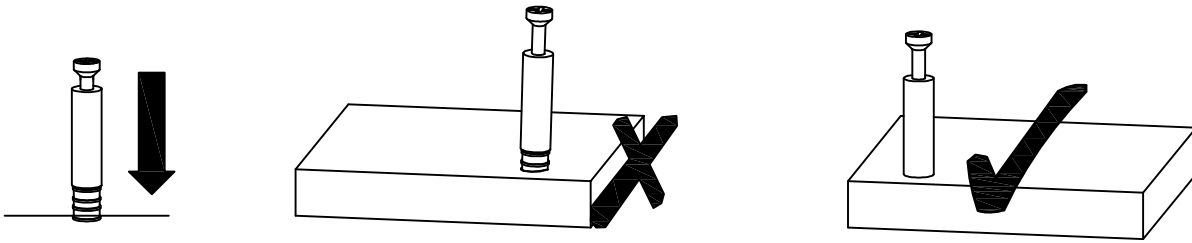
				
M3.5*14mm	M4*30mm	M6*40mm	φ15*12mm	φ6*30mm
Ⓐ x18pcs	Ⓑ x2pcs	Ⓒ x73pcs	Ⓓ x73pcs	Ⓔ x32pcs
				
	φ20mm	30mm		
Ⓕ x25pcs	Ⓖ x25pcs	Ⓗ x2pcs	Ⓘ x2pcs	Ⓙ x16pcs
				
Ⓚ x73pc	Ⓛ x1pc			

	
M3. 5*14mm	M4*30mm
Ⓐ x18pcs	Ⓑ x2pcs

NOTE-1: Please note that the shapes of screws A and B are similar. Please install according to the instructions and distinguish them!

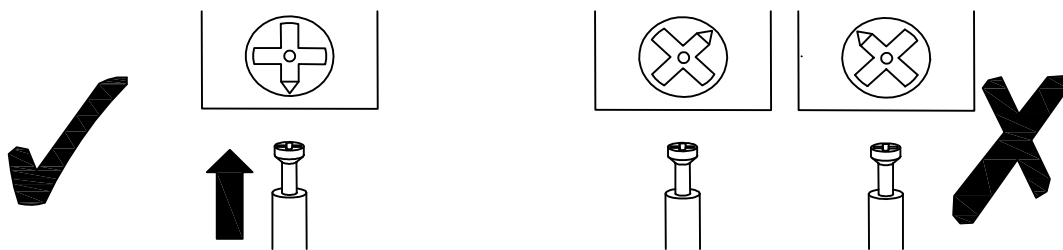


NOTE-2: Please note that this product contains multiple screws. When connecting the Backplate and the plate parts, be sure to use the shortest screw, type A. Using the wrong screw may cause damage to the plate parts.



NOTE-3:

QUICKFIT: Tighten quickfit until shoulder is flush with panel. Do not overtighten or undertighten

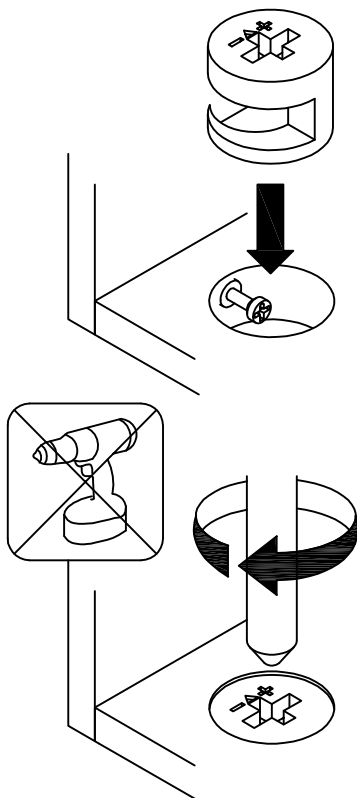


NOTE-4:


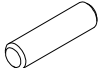
CAM LOCK: When fitting cam lock, ensure starting position is correct before you insert connecting quickfit.

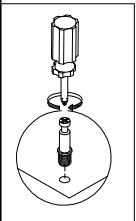
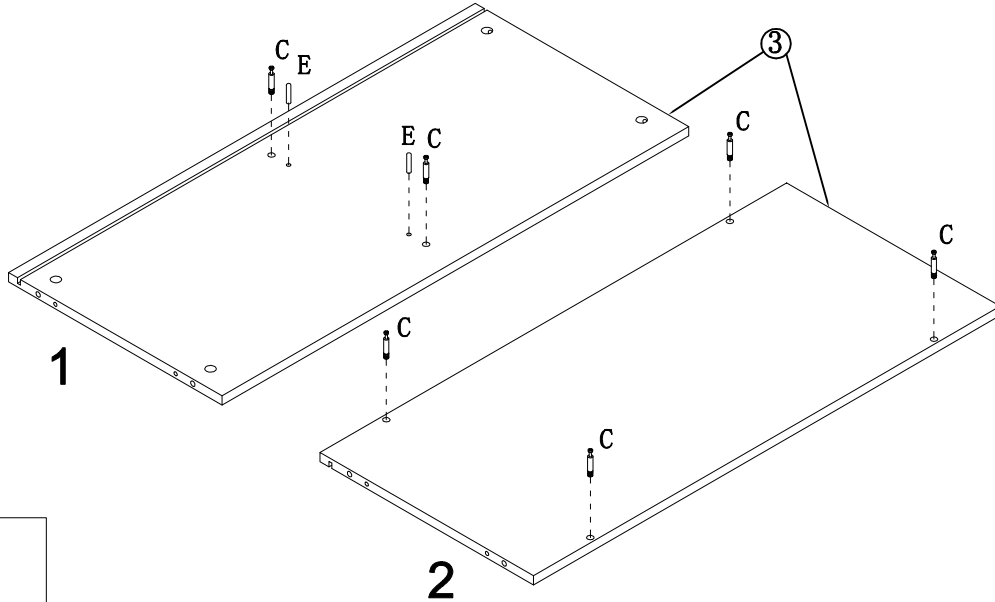
NOTE-5:

Quickfit head should be in the centre of the cam lock when the two panels are joined. Camlock should be inserted before quickfit.





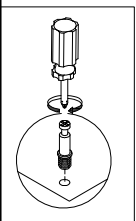
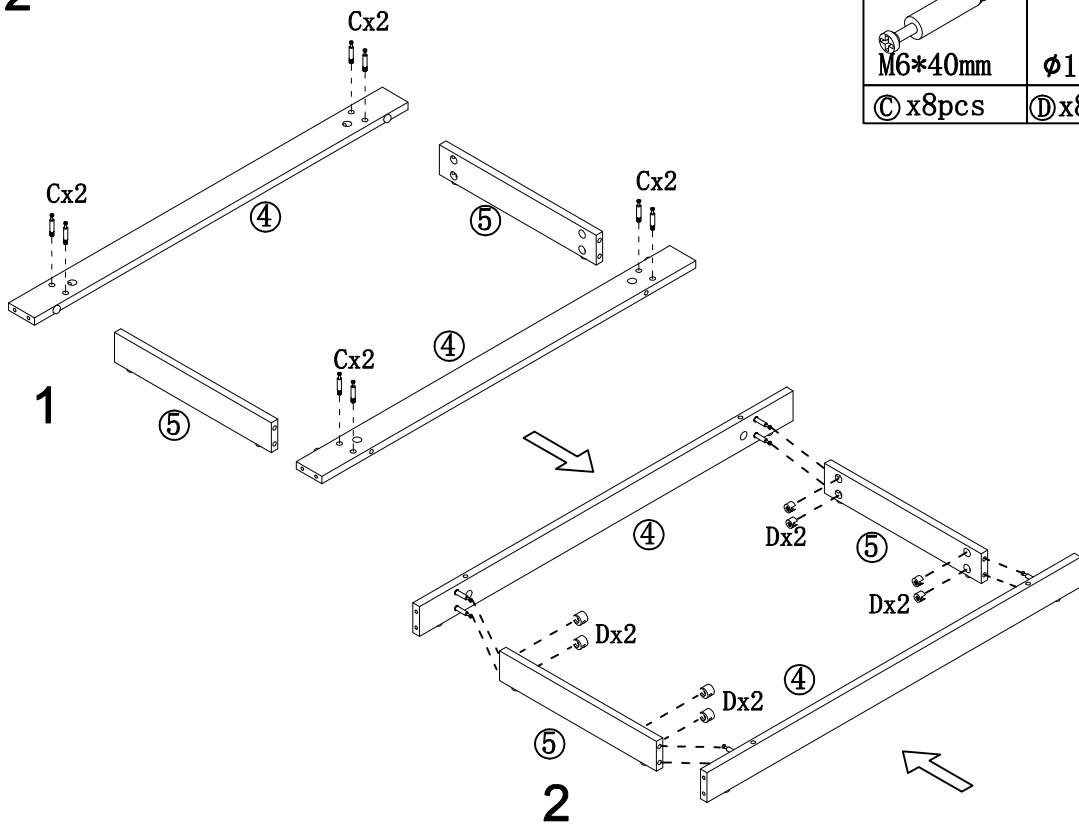
Step 1

 M6*40mm	 φ6*30mm
Ⓒ x6pcs	Ⓔ x2pcs



Step 2

 M6*40mm	 φ15*12mm
Ⓒ x8pcs	Ⓓ x8pcs

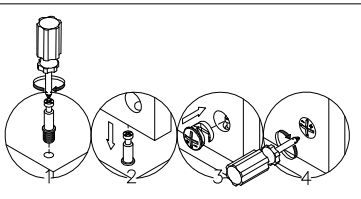
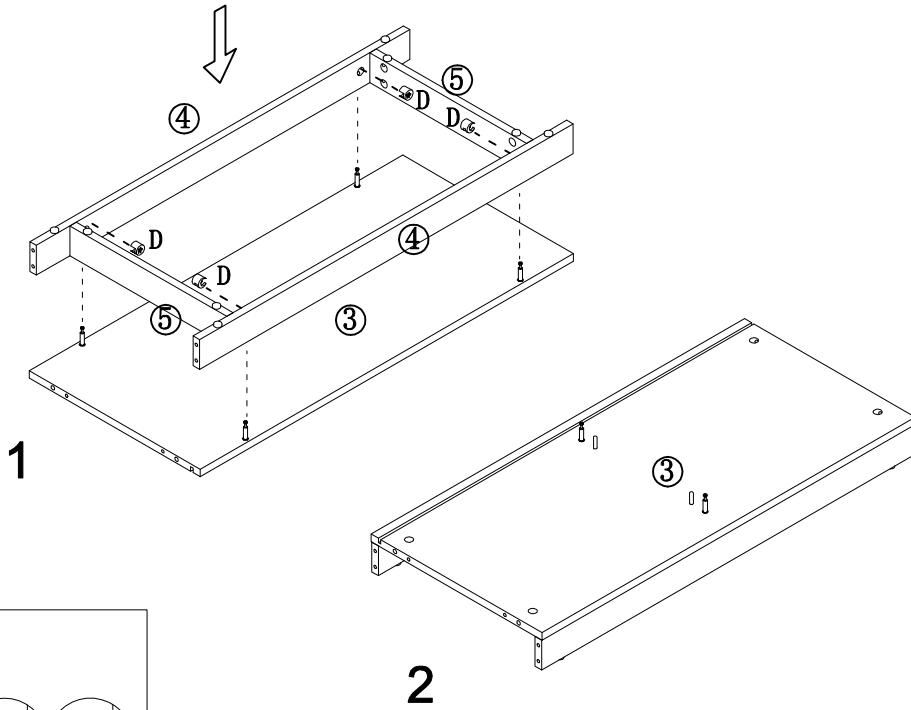


Step 3



Ø15*12mm

①x4pcs



Step 4

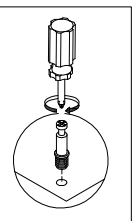
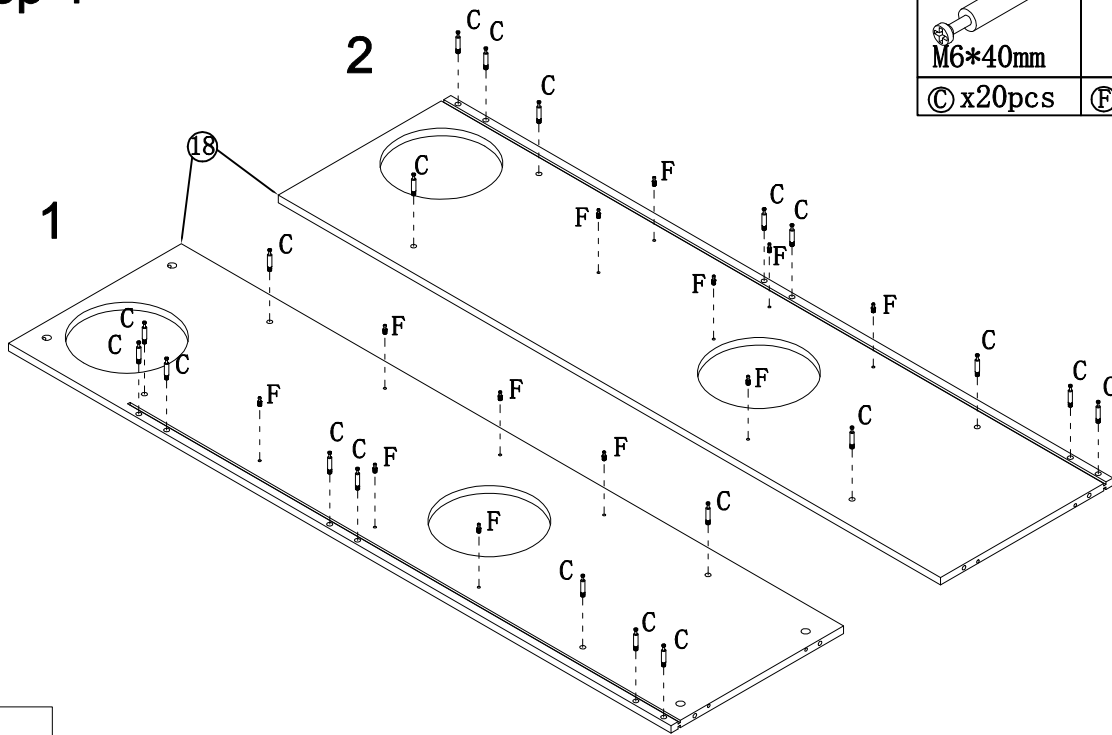


M6*40mm

Ⓒx20pcs



Ⓕx12pcs

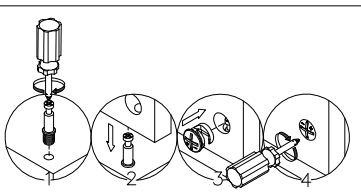
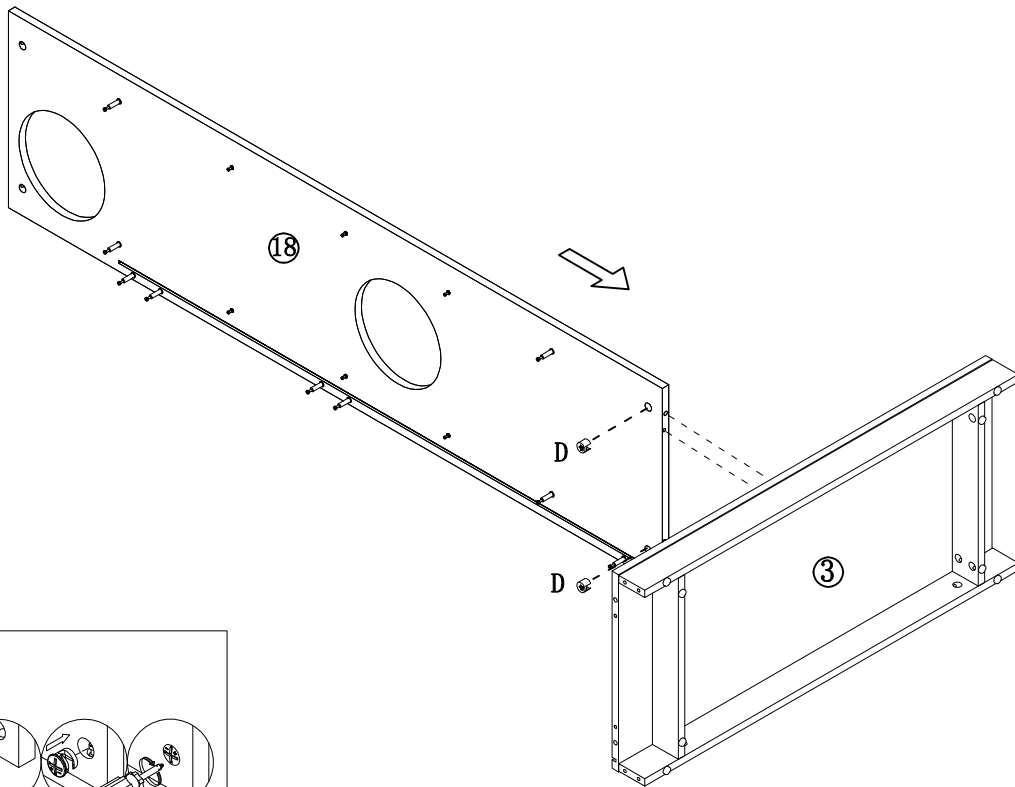


Step 5



Ø15*12mm

①x2pcs

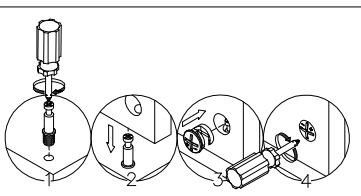
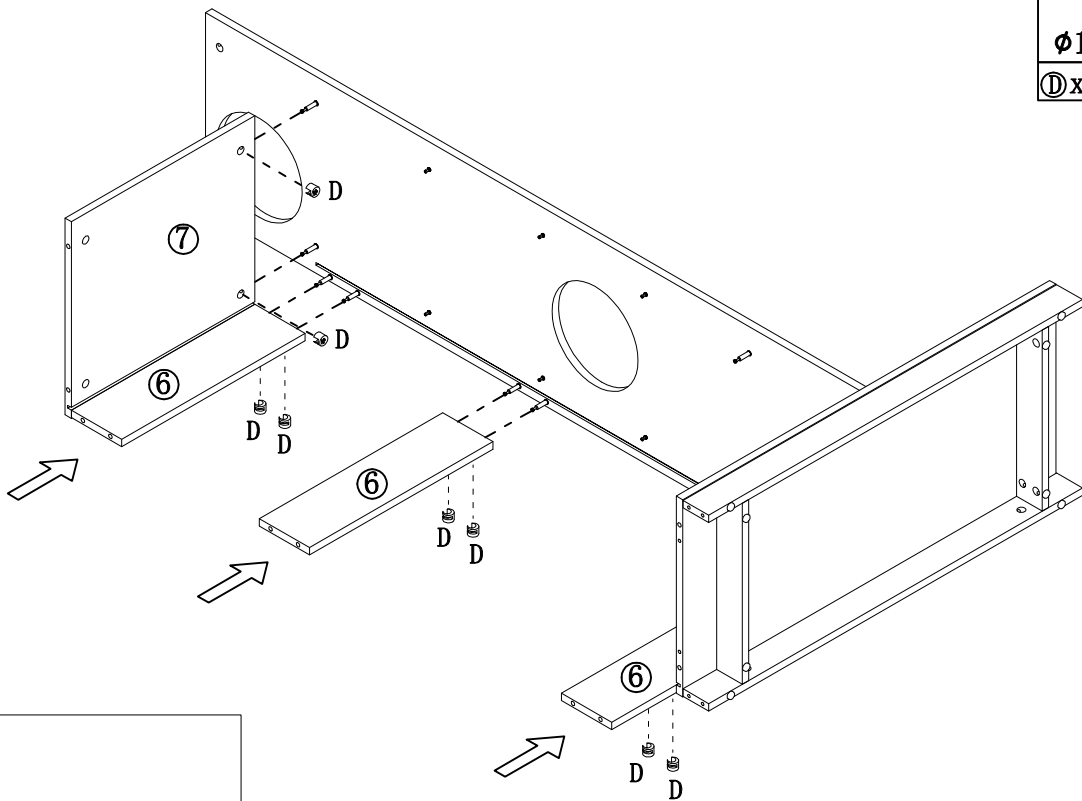


Step 6

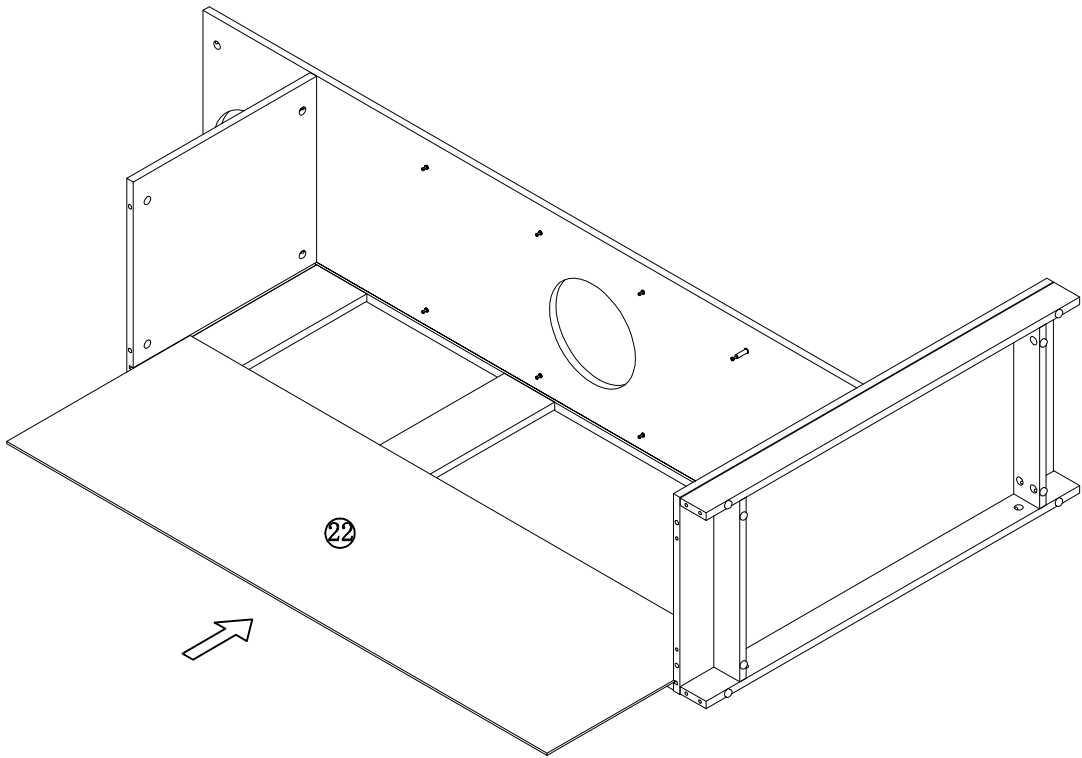


Ø15*12mm

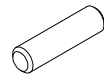

①x8pcs

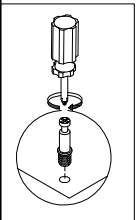
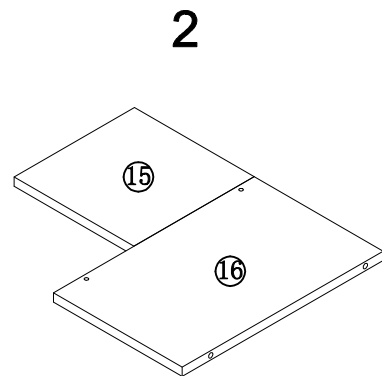
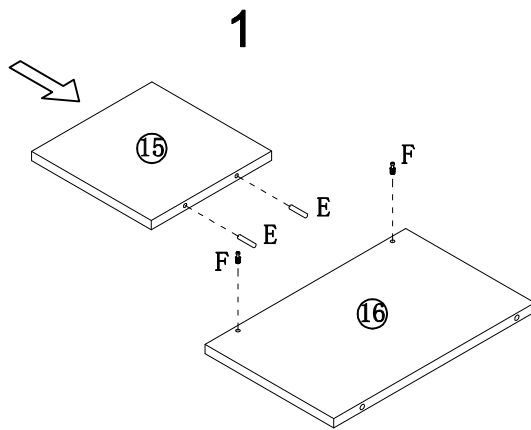


Step 7

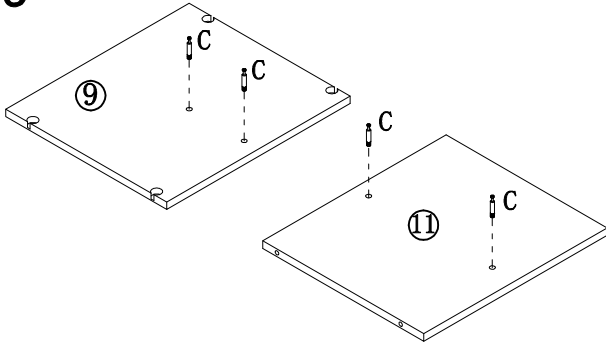


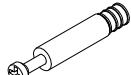

Step 8

 ø6*30mm	
Ⓔ x2pcs	Ⓕ x2pcs

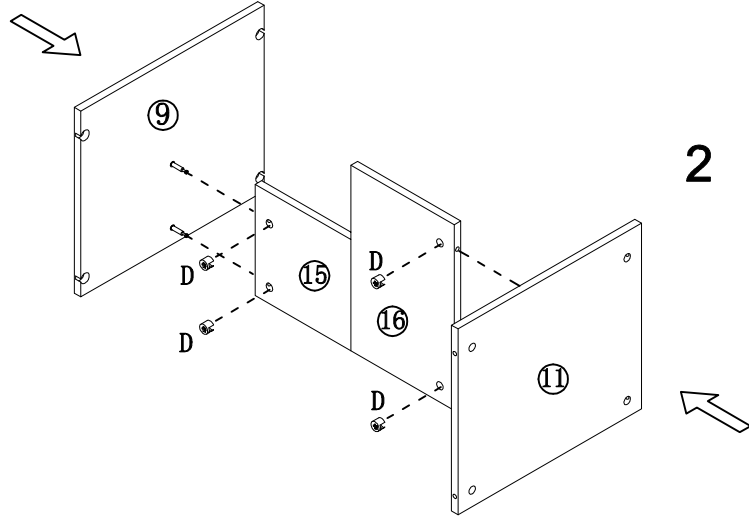


Step 9

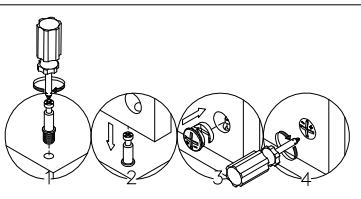


 M6*40mm	 φ15*12mm
Ⓒ x4pcs	Ⓓ x4pcs

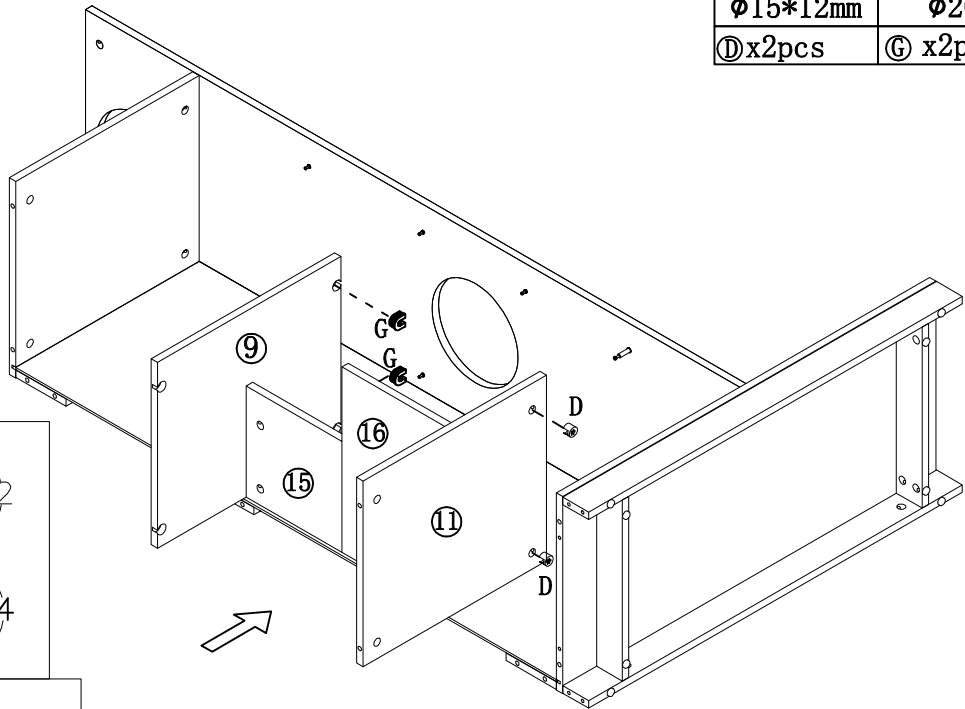
1





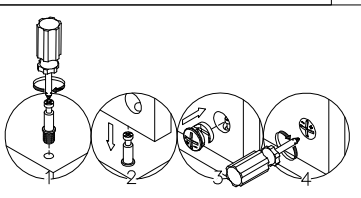
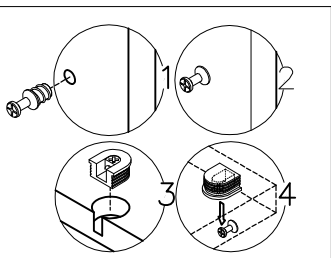
2



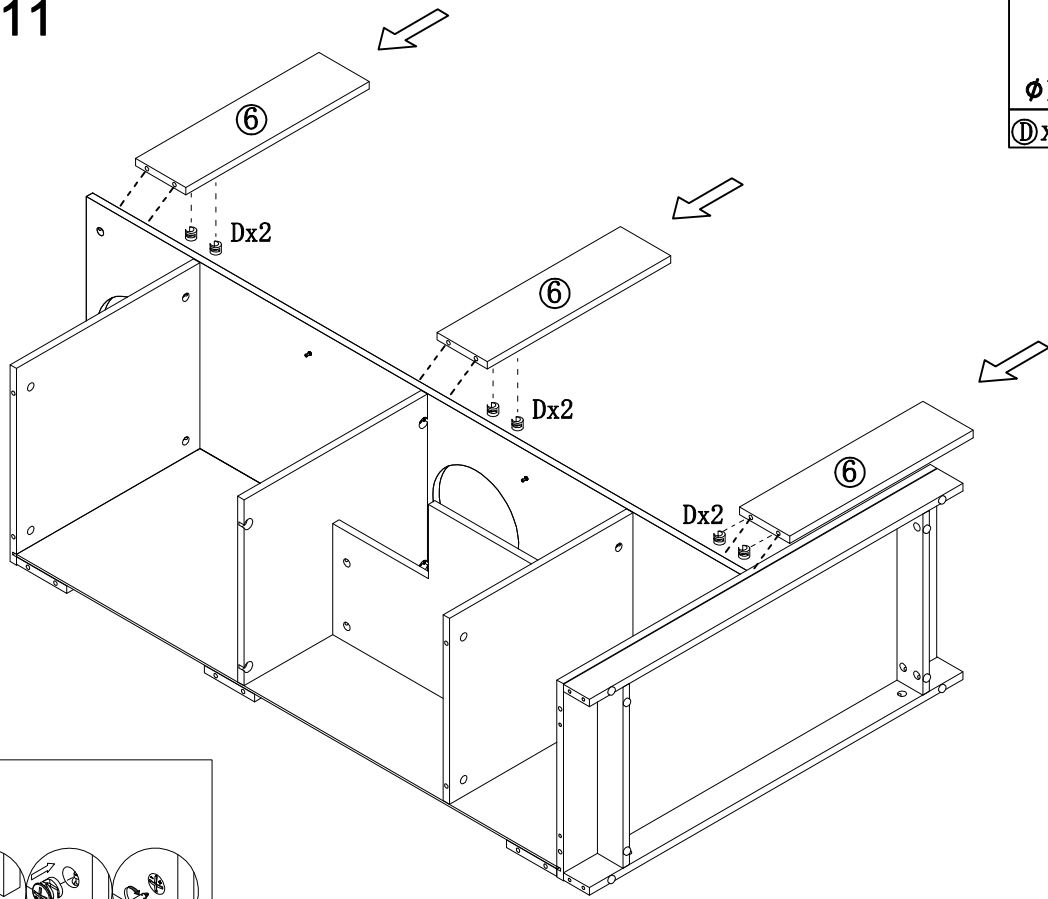
Step 10




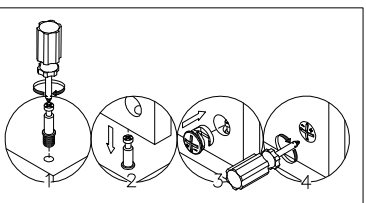
 φ15*12mm	 φ20mm
Ⓓ x2pcs	Ⓖ x2pcs



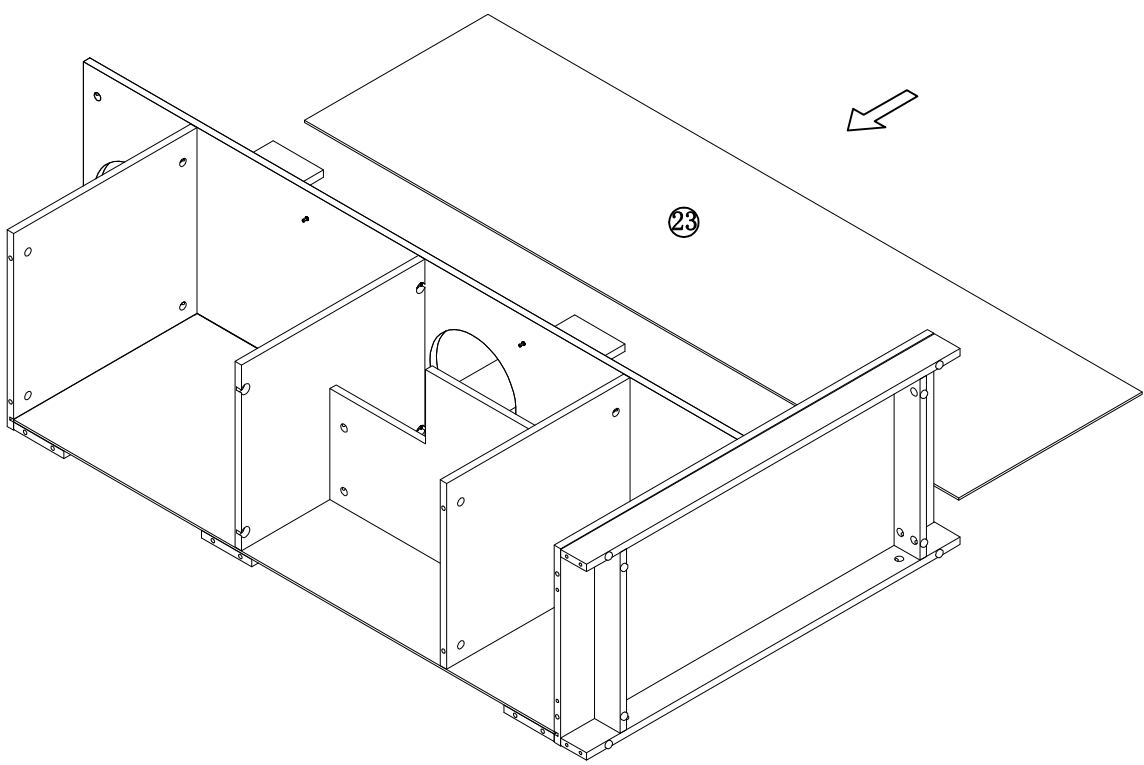
Step 11




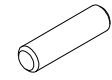

Ø15*12mm
①x6pcs

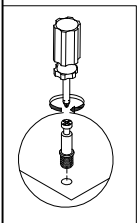
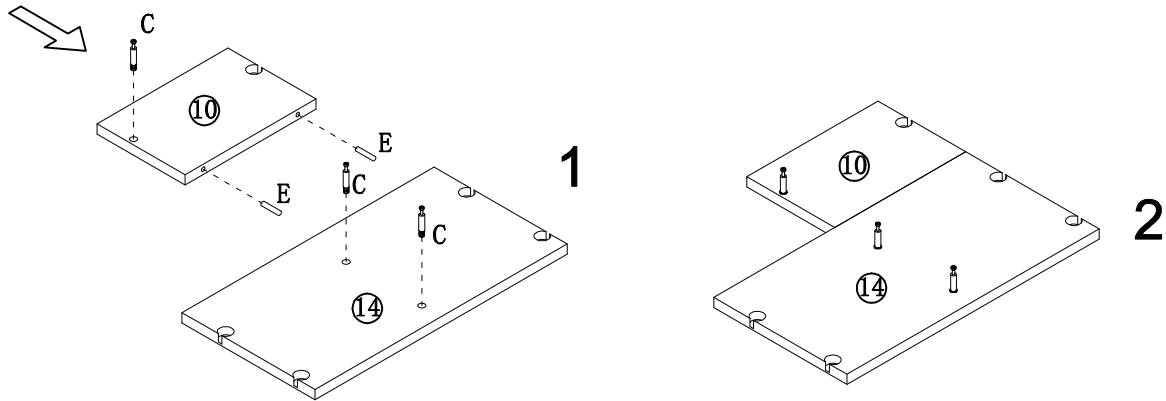


Step 12






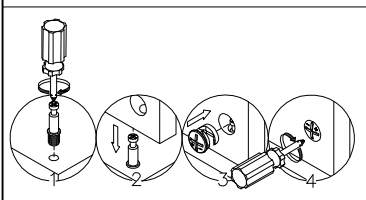
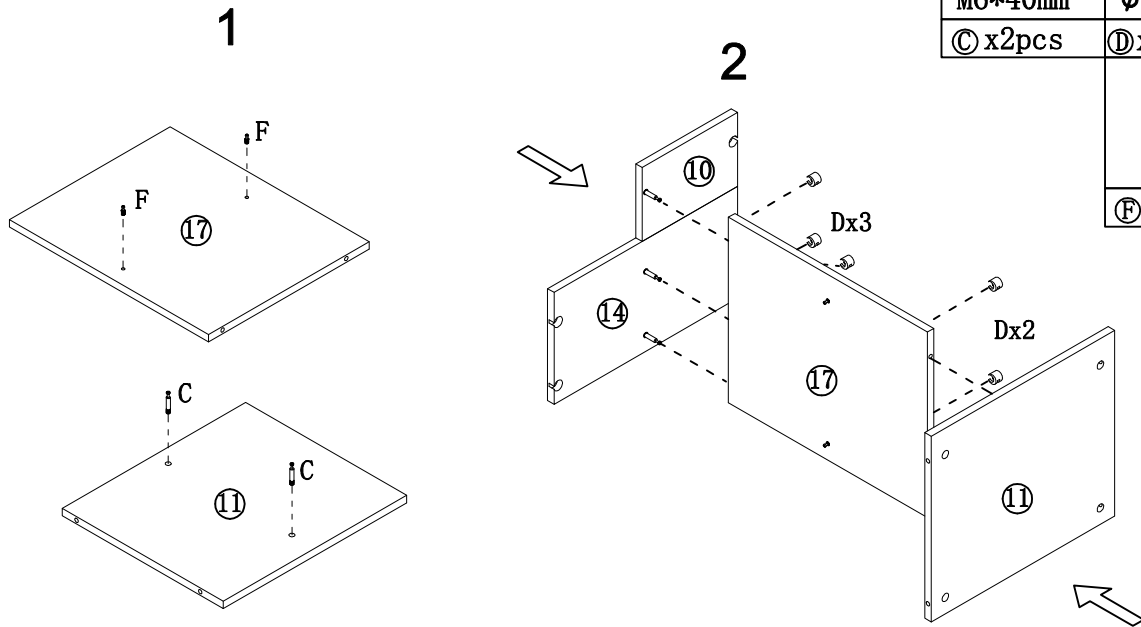
Step 13

	
M6*40mm	φ6*30mm
Ⓒ x3pcs	Ⓔ x2pcs


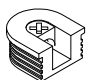


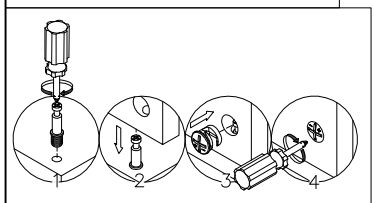
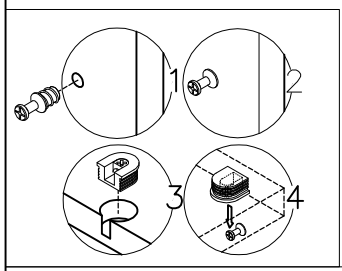
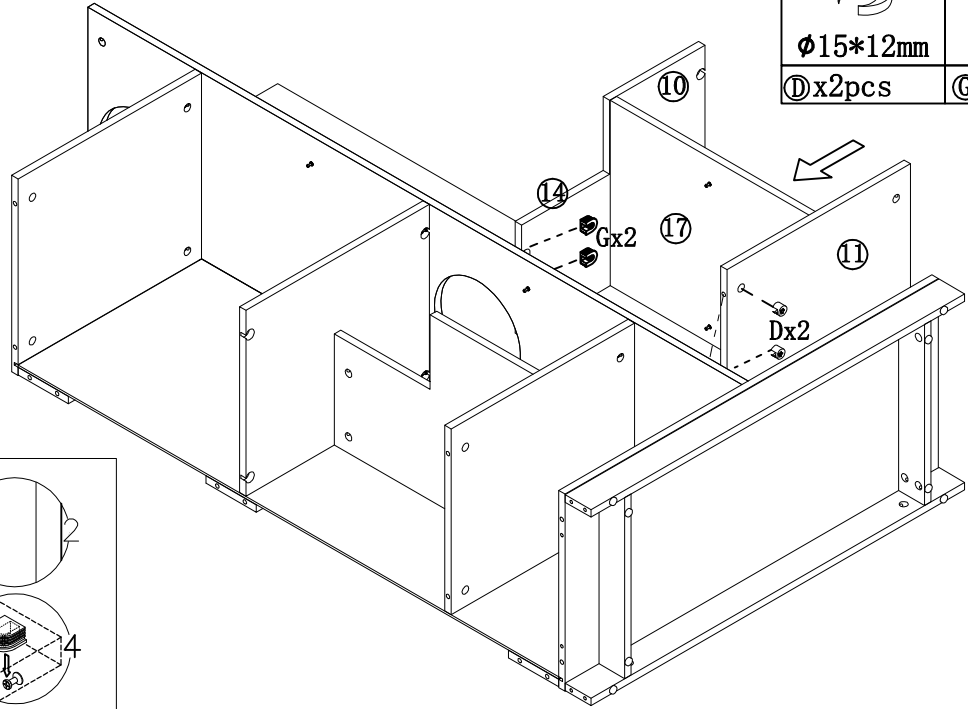
Step 14

	
M6*40mm	φ15*12mm
Ⓒ x2pcs	Ⓓ x5pcs
	
Ⓕ x2pcs	

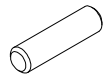


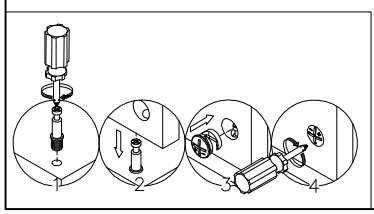
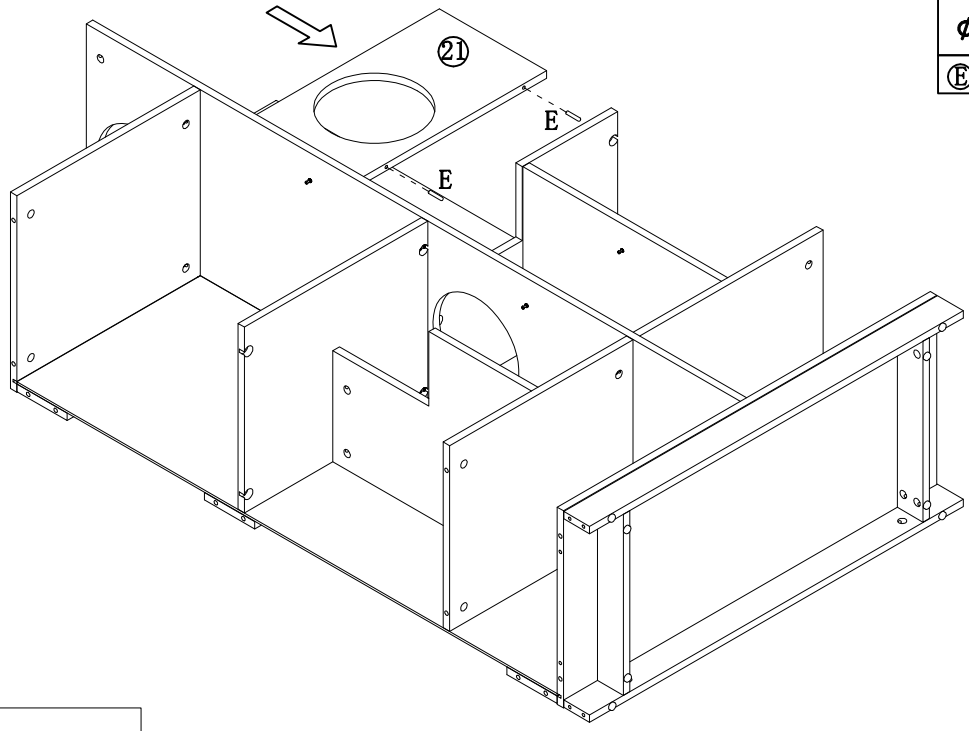
Step 15

	
$\phi 15 \times 12 \text{mm}$	$\phi 20 \text{mm}$
Ⓓ x2pcs	Ⓒ x2pcs

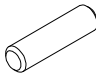
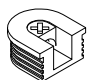


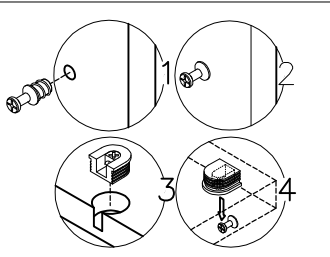
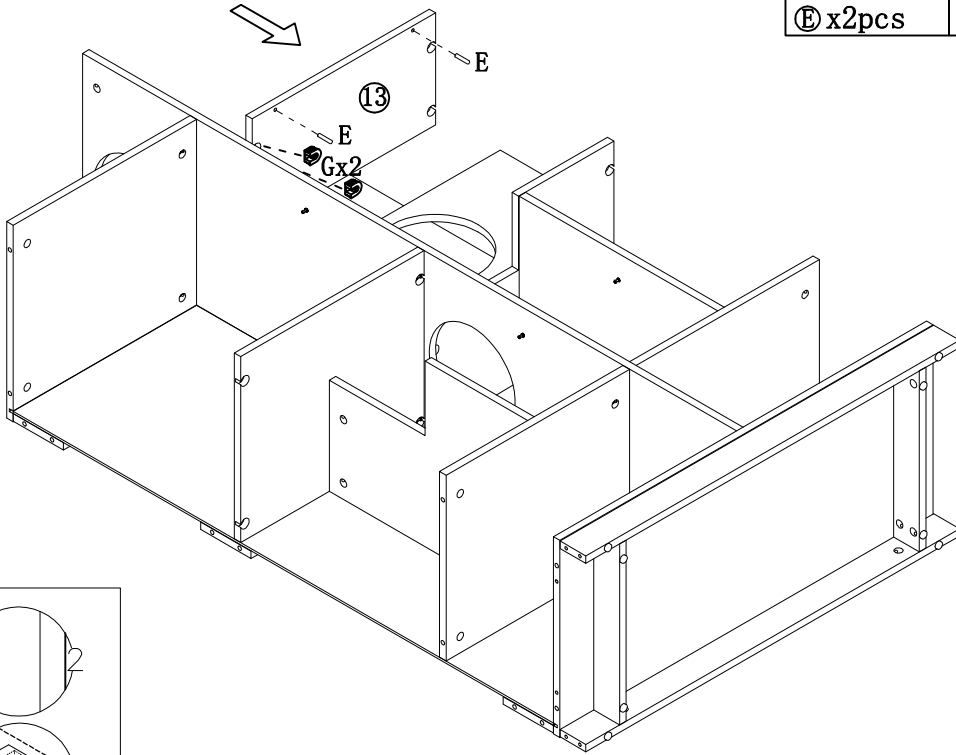
Step 16


$\phi 6 \times 30 \text{mm}$
Ⓔ x2pcs


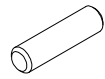


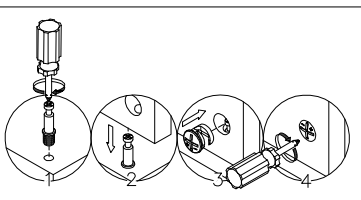
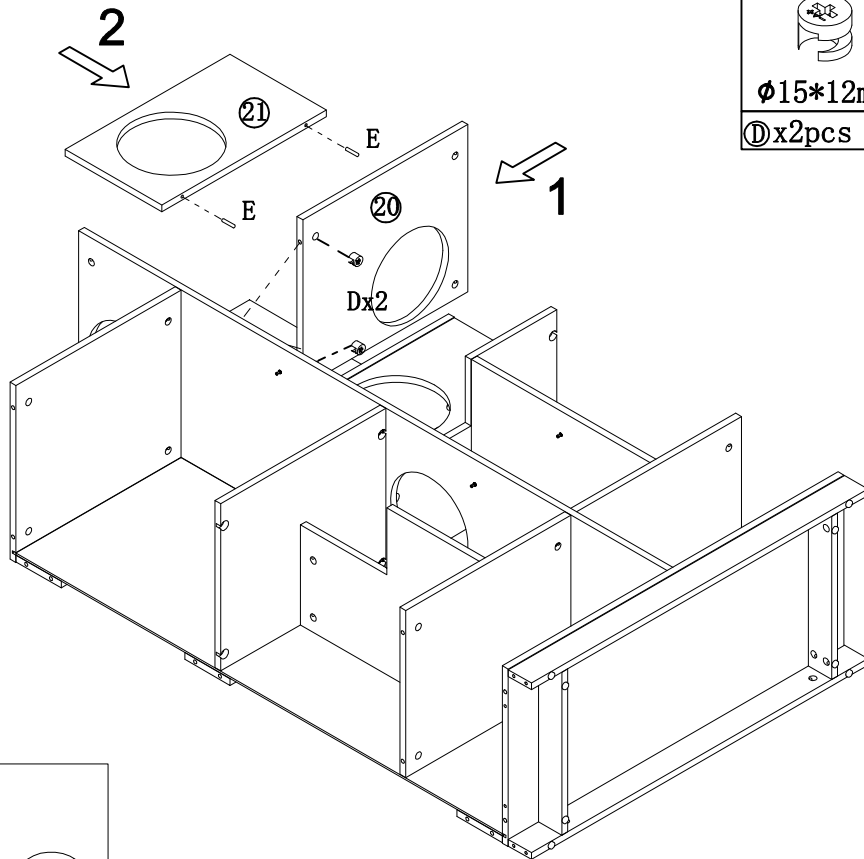
Step 17

	
φ6*30mm	φ20mm
Ⓔ x2pcs	Ⓒ x2pcs


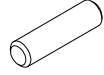


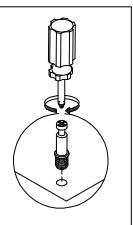
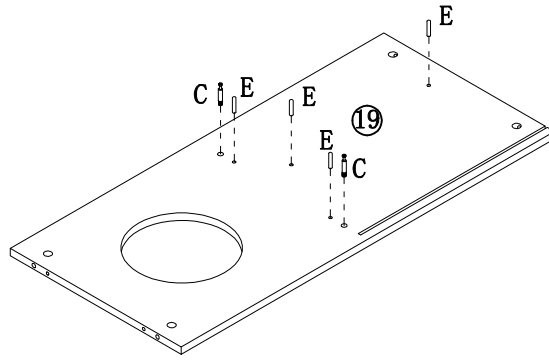
Step 18

	
φ15*12mm	φ6*30mm
Ⓓ x2pcs	Ⓔ x2pcs




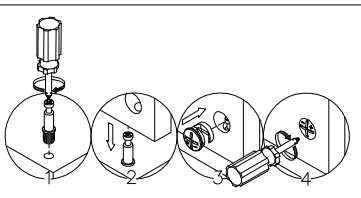
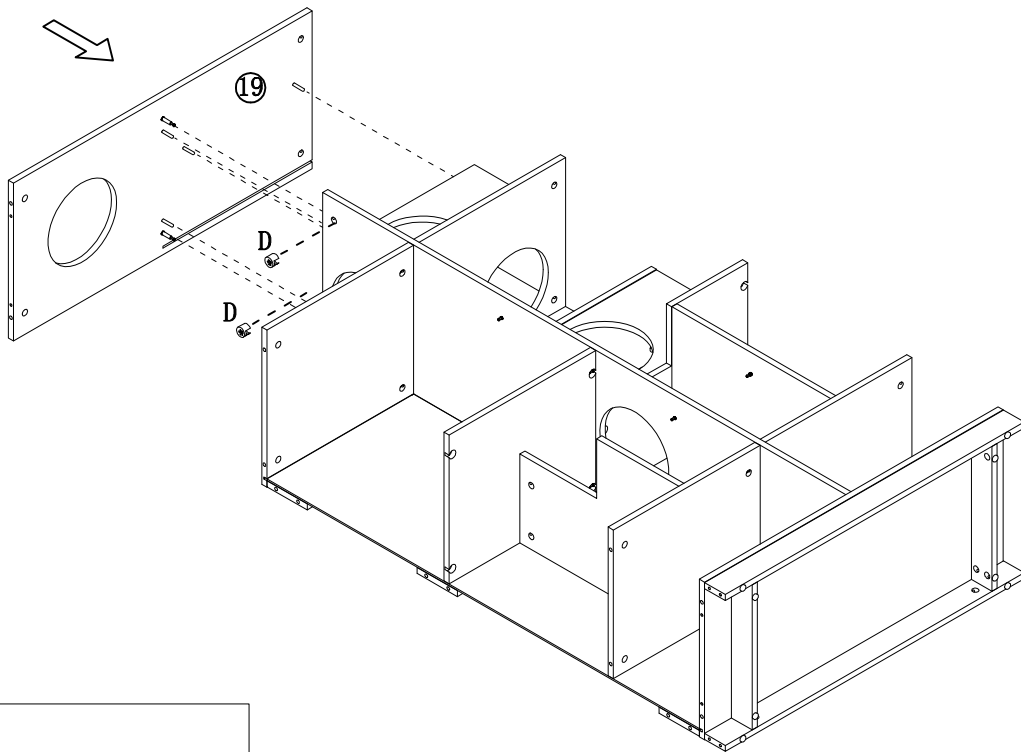
Step 19

 M6*40mm	 φ6*30mm
Ⓒ x2pcs	Ⓔ x4pcs


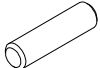



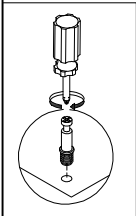
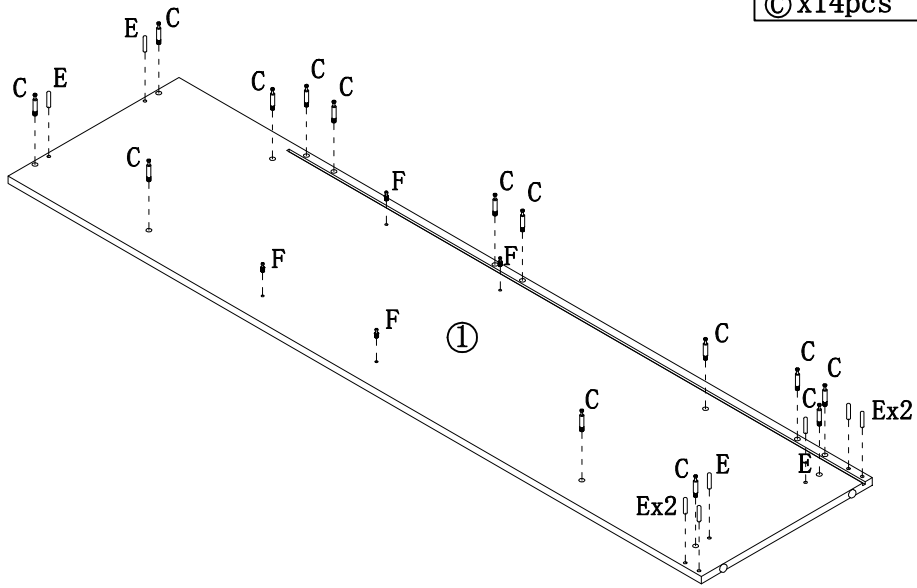
Step 20

 φ15*12mm
Ⓓ x2pcs


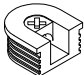


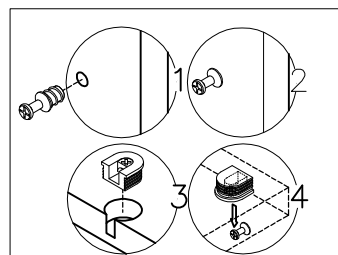
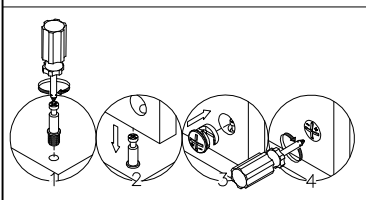
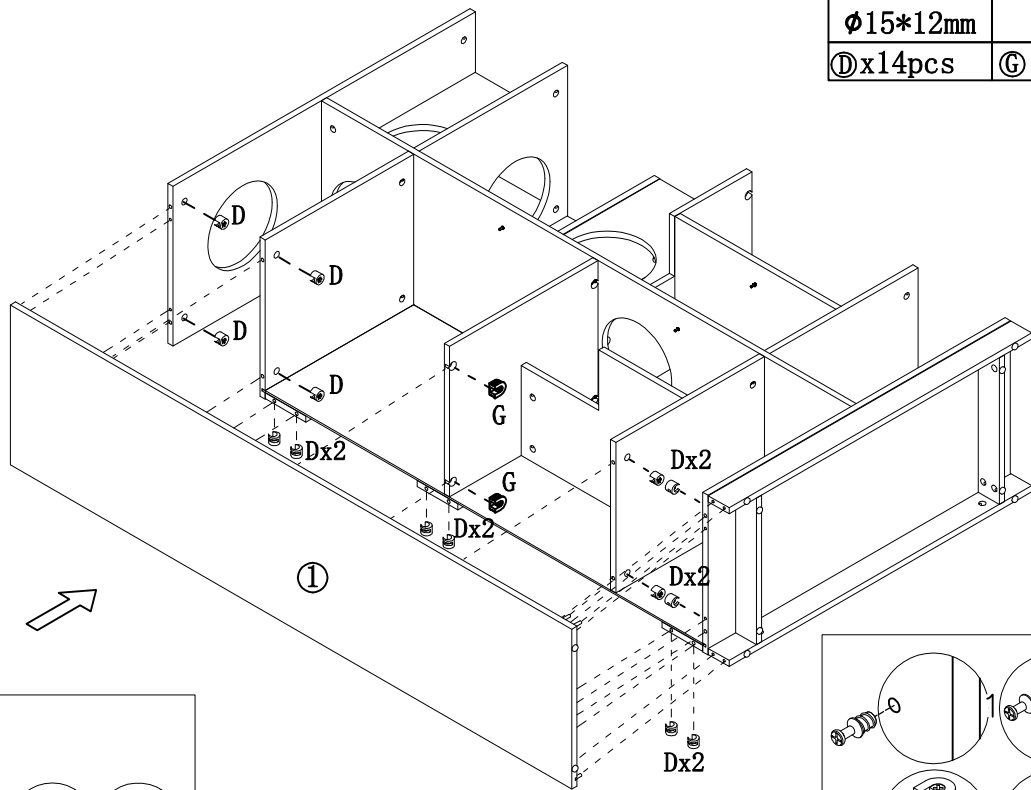
Step 21

	
M6*40mm	φ6*30mm
Ⓒ x14pcs	Ⓔ x8pcs
	
Ⓕ x4pcs	

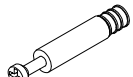
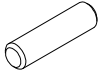



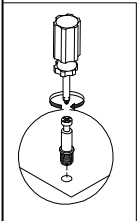
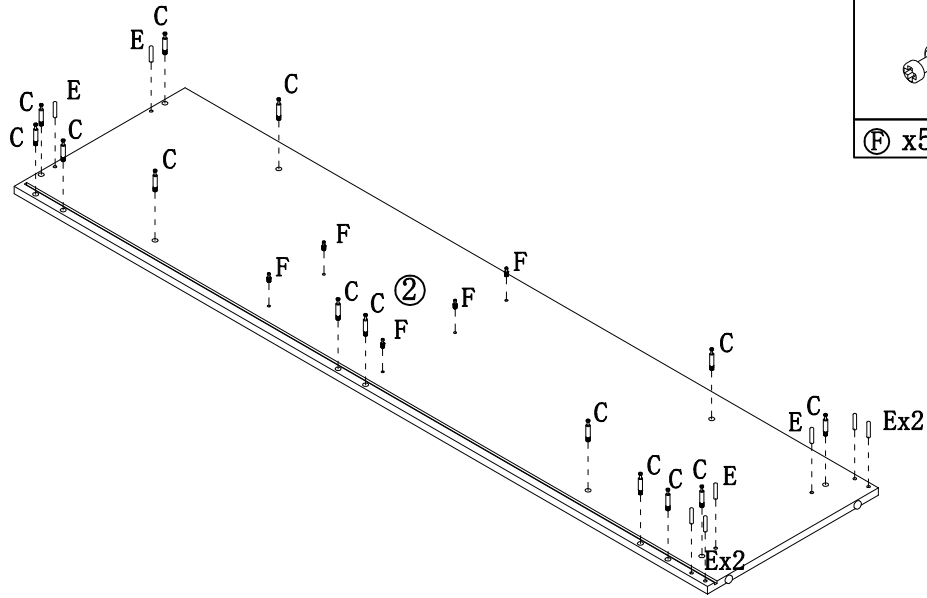
Step 22

	
φ15*12mm	φ20mm
Ⓓ x14pcs	Ⓖ x4pcs


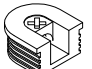


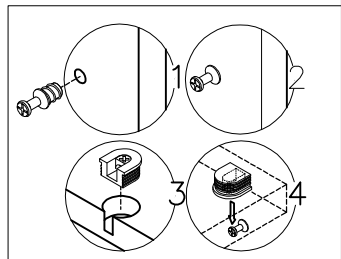
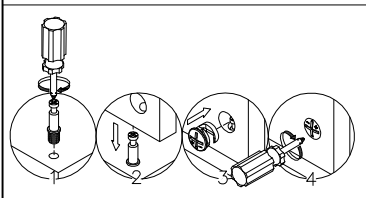
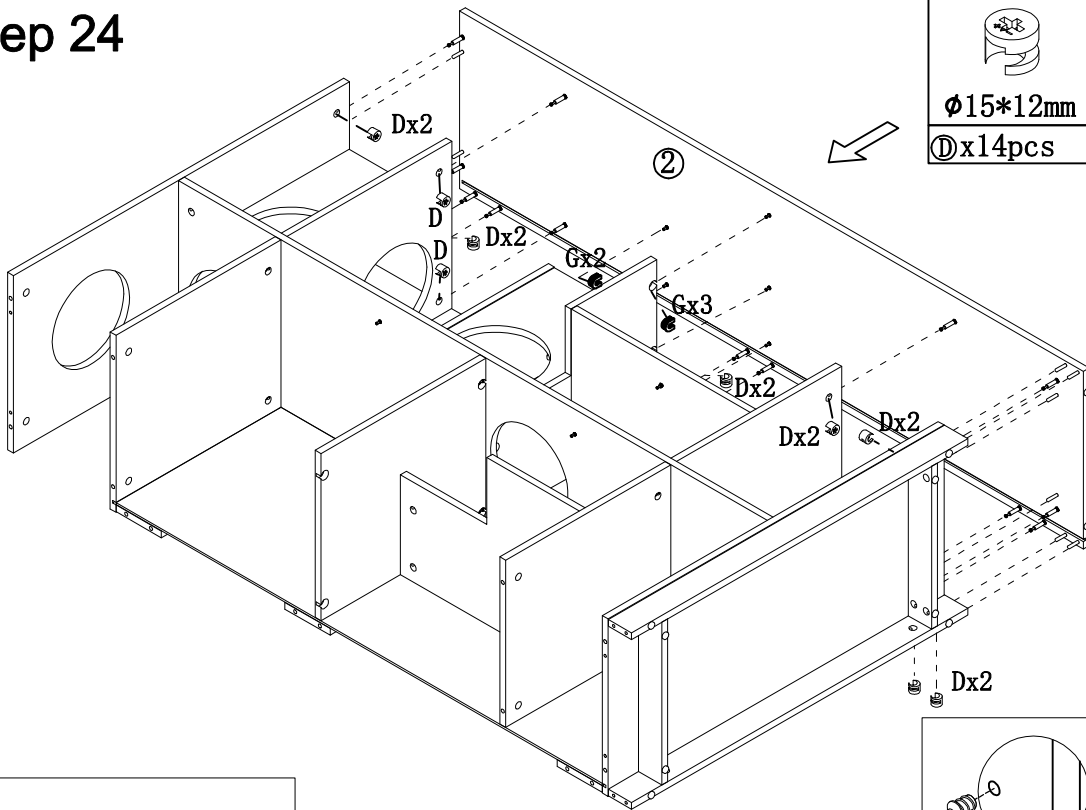
Step 23

 M6*40mm	 φ6*30mm
Ⓒ x14pcs	Ⓔ x8pcs
	
Ⓕ x5pcs	



Step 24

 φ15*12mm	 φ20mm
Ⓓ x14pcs	Ⓖ x5pcs

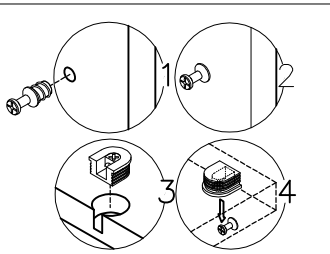
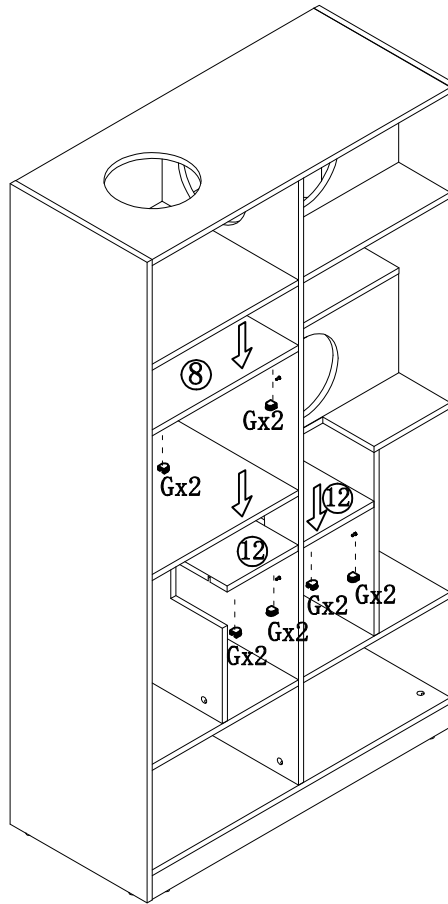


Step 25

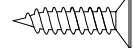


φ20mm

Ⓒ x12pcs



Step 26

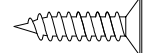
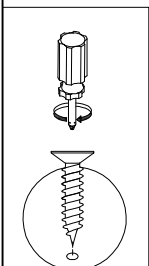
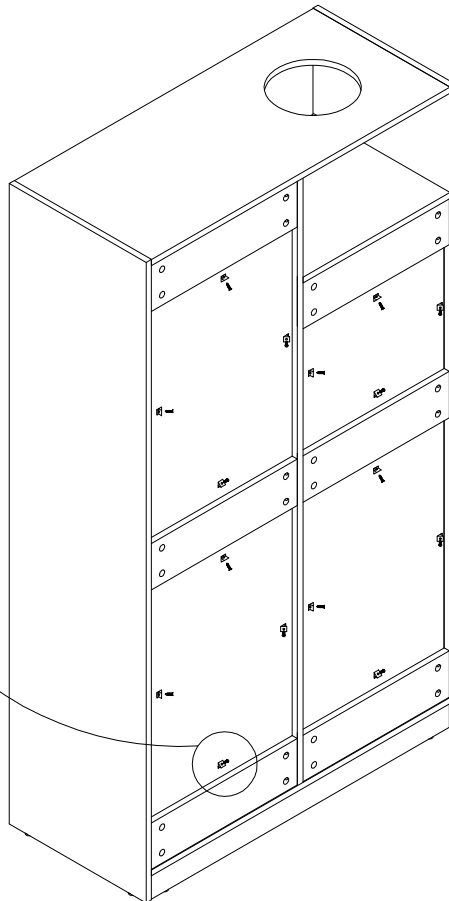
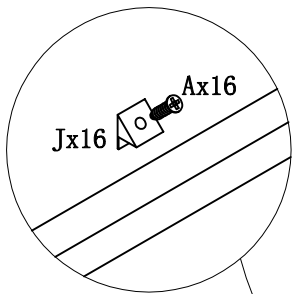


M3.5*14mm

Ⓐ x16pcs

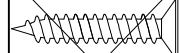


Ⓓ x16pcs



M3.5*14mm

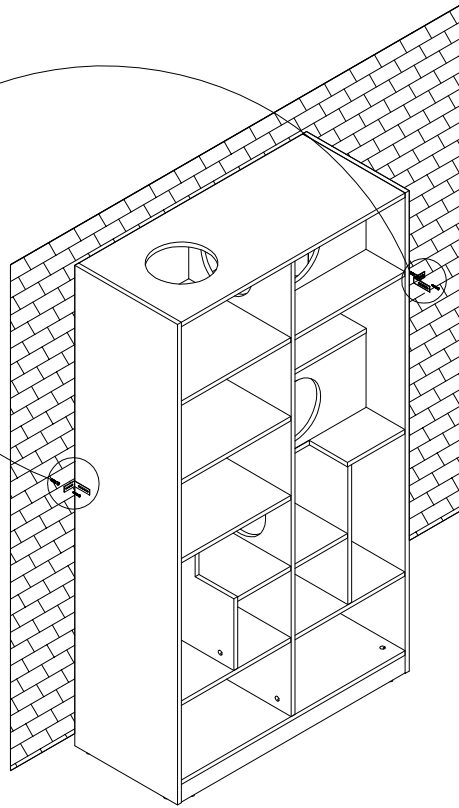
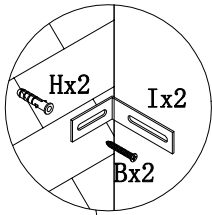
Ⓐ x18pcs

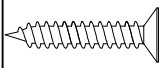
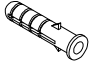
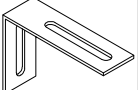


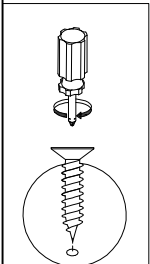
M4*30mm

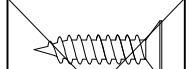
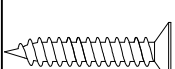
Ⓑ x2pcs

Step 27

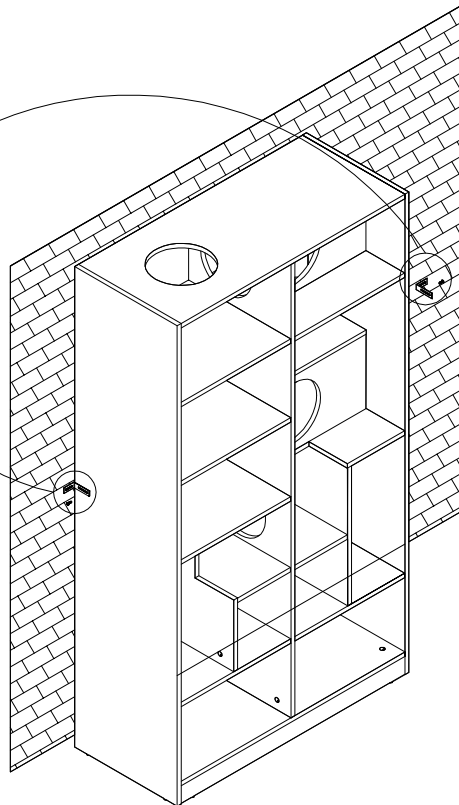
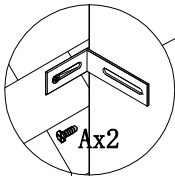


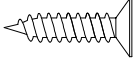
		
M4*30mm	30mm	
Ⓑ x2pcs	Ⓗ x2pcs	Ⓘ x2pcs

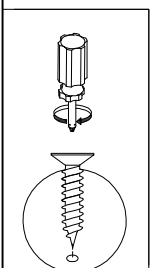


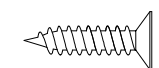
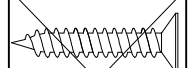
	
M3.5*14mm	M4*30mm
Ⓐ x18pcs	Ⓑ x2pcs

Step 28




M3.5*14mm
Ⓐ x2pcs



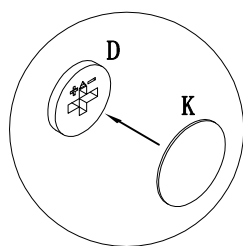
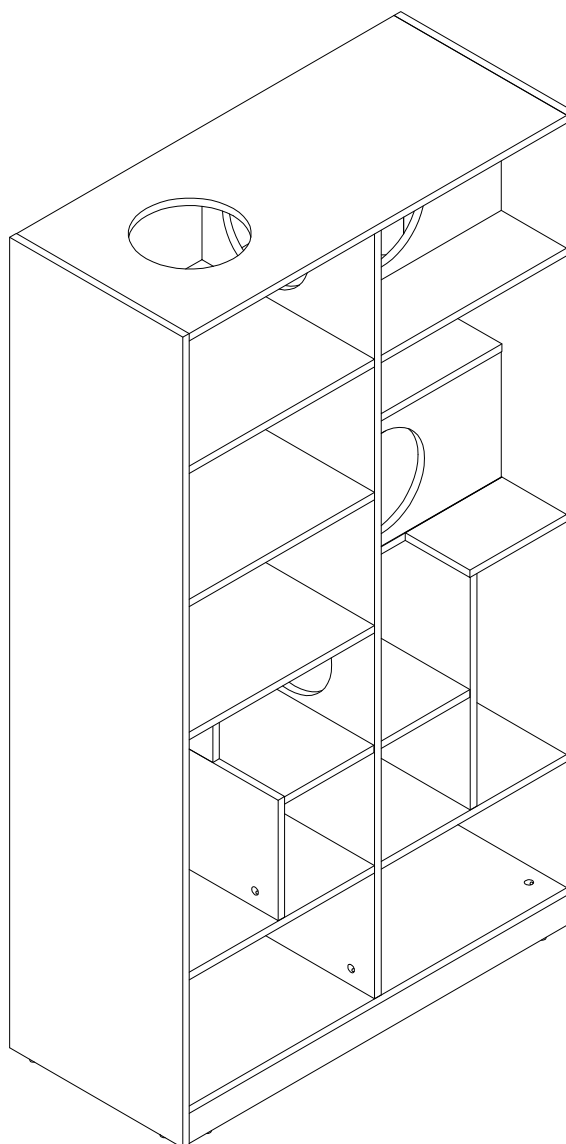
	
M3.5*14mm	M4*30mm
Ⓐ x18pcs	Ⓑ x2pcs

Attention: For safety and stability, we suggest securing the anti-tip accessories to the wall to prevent tipping, injury, and property damage.

Step 13

0

Ⓚ x73pc



After installing the product, stick the number K on the perforated position