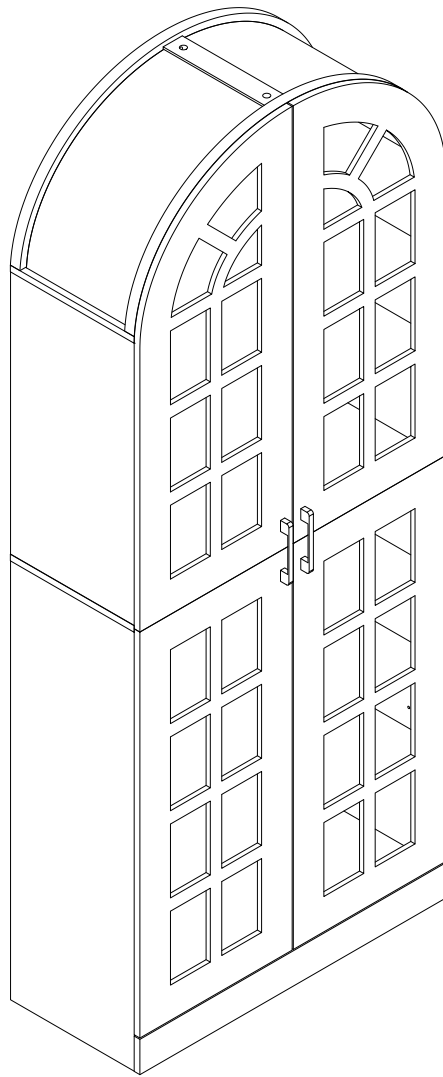


Assembly Instructions

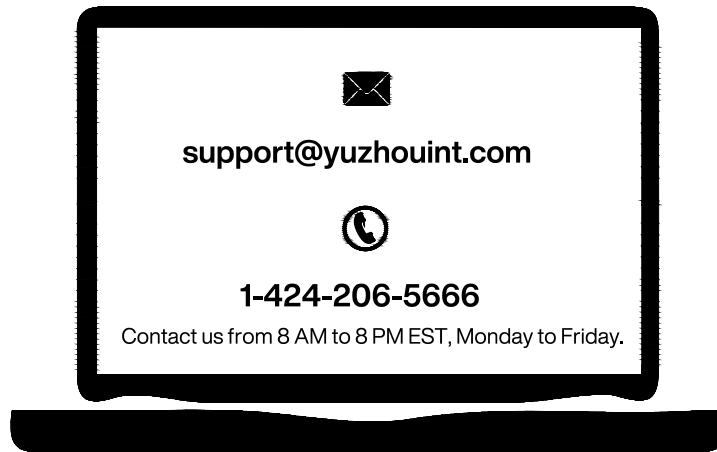


Shoe Rack

Model No.
HOGA-J0461

Contact Us

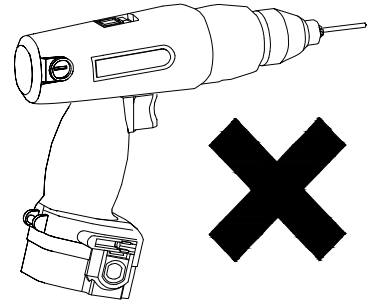
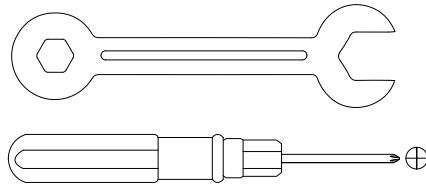
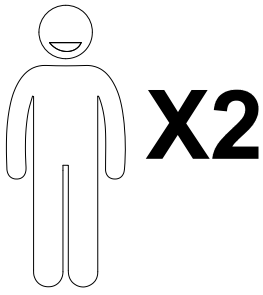
We're here to help you.



Your satisfaction is our top priority. If you encounter any issues with this product, such as missing or damaged parts, we're here to help. Please retain the original packaging and take photos of the packaging and the product, then contact us as soon as possible.

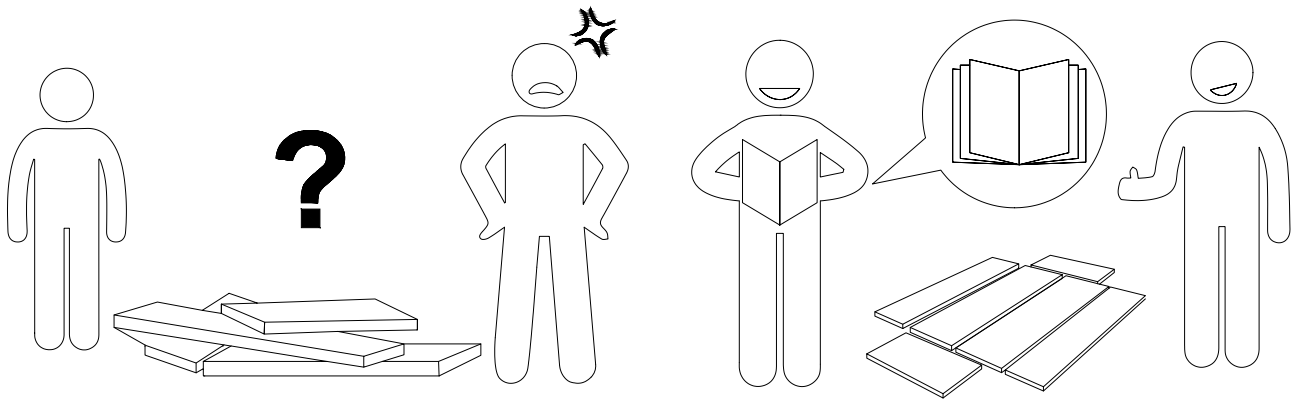
Warm Tips

1. Carefully read these instructions and keep them for future reference.
2. Check the parts list and confirm everything's there before starting assembly.
3. When assembling, put all parts on a soft, smooth surface like a carpet to avoid scratches.
4. Don't fully tighten screws until all parts are confirmed in place to avoid misalignment.



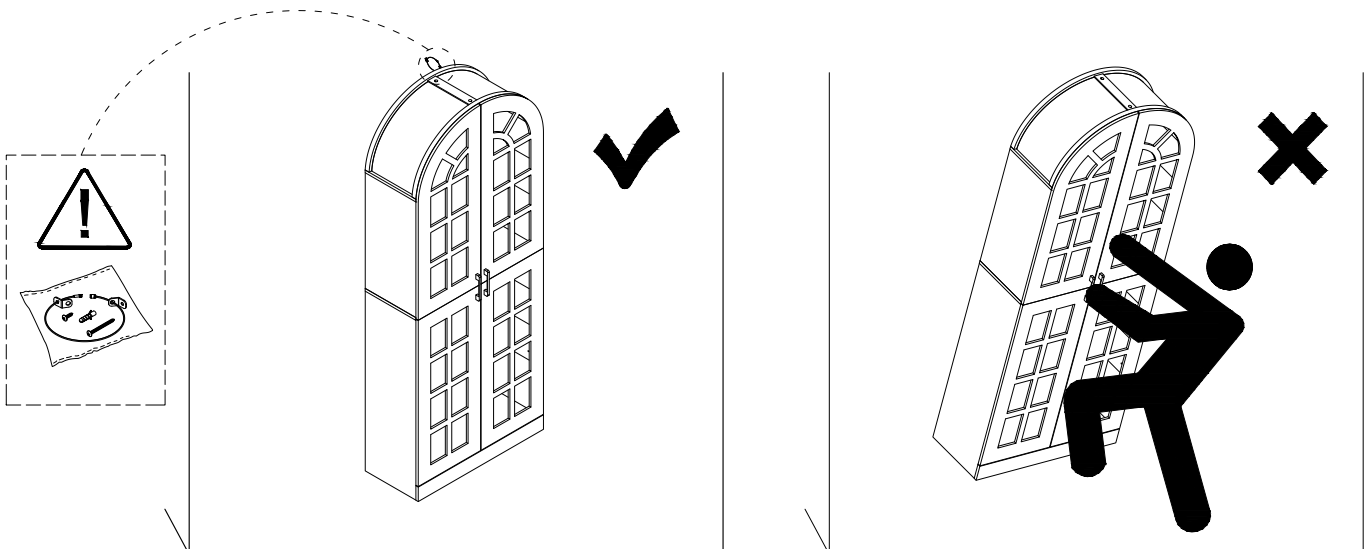
We recommend using hand tools for assembly.

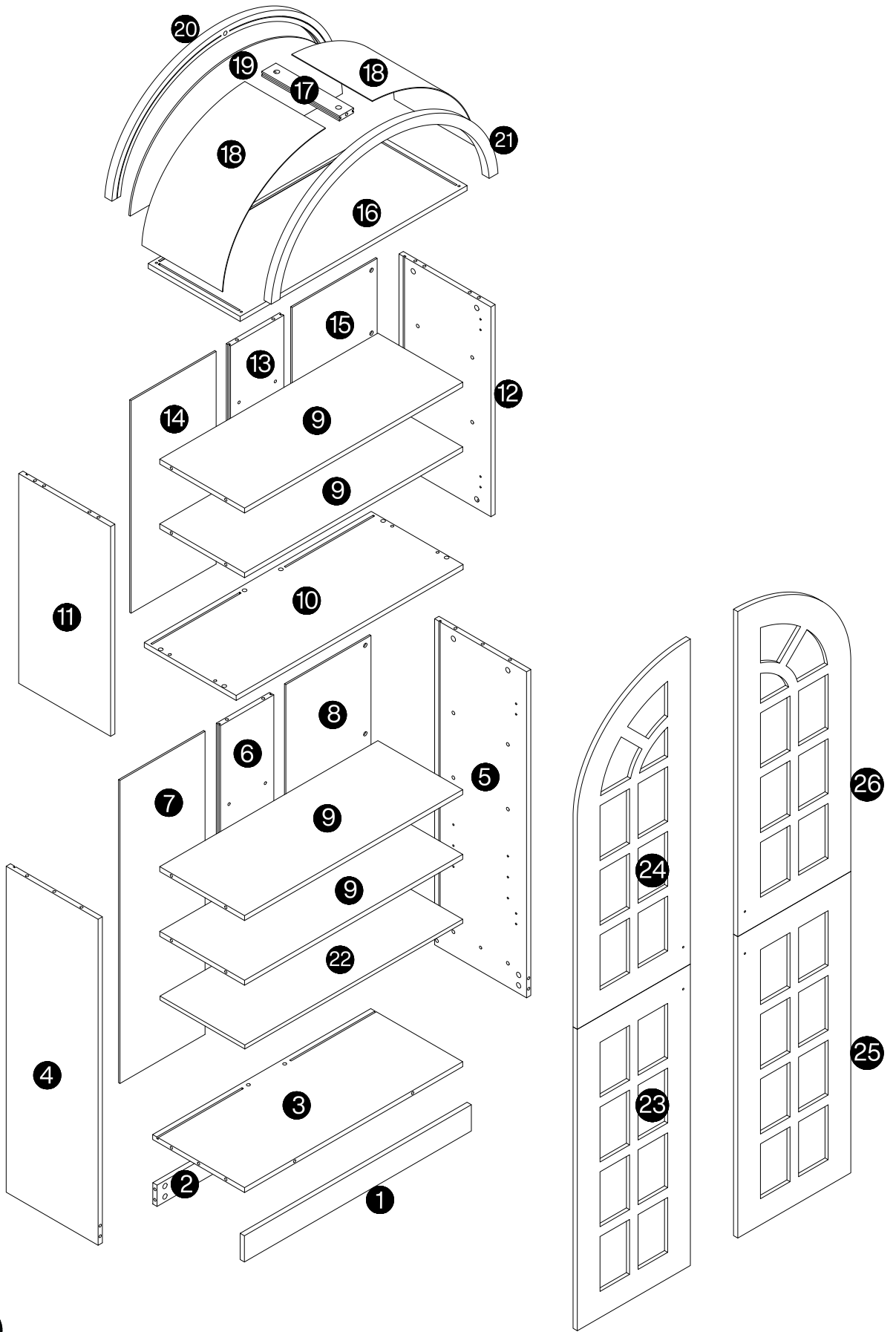
If an electric screwdriver is used, reduce power and torque to avoid damage to the product.



Install the Anti-Tip Straps

Using the anti-tip straps can reduce the risk of tipping over, but can not eliminate it.

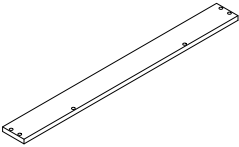
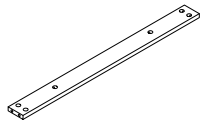
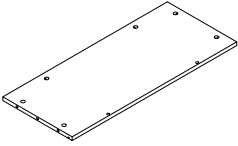
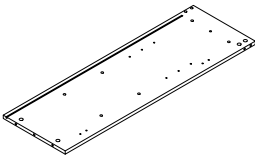
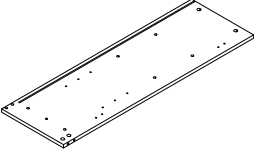
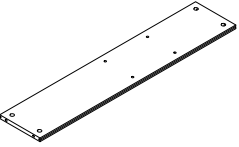
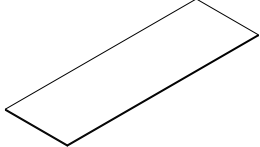
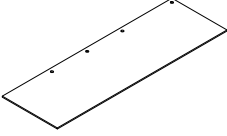
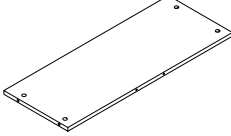
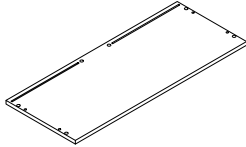
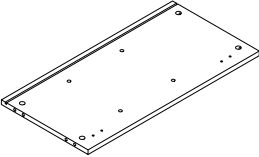
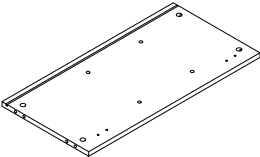
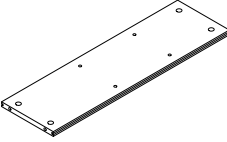
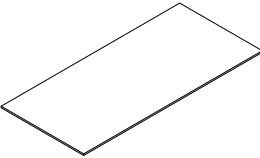
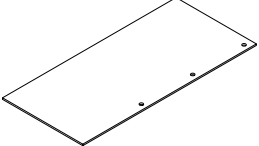
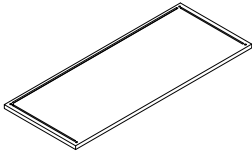
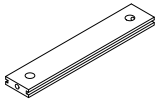
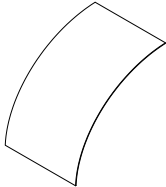
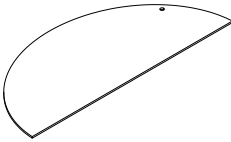
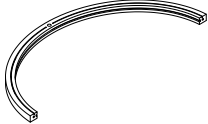
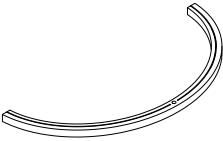
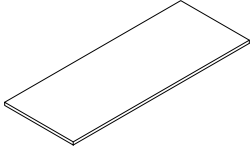
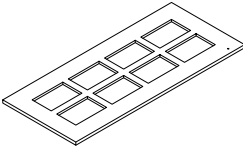
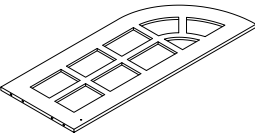
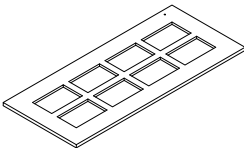
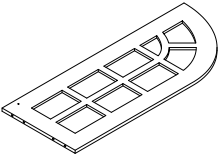




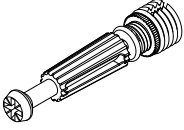
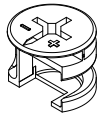
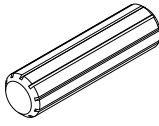
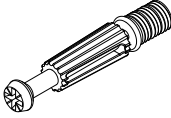
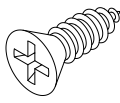
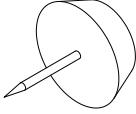
⚠ Caution

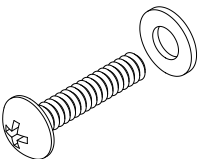
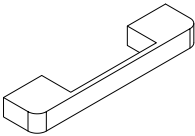
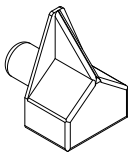
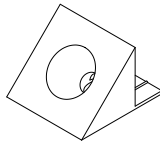
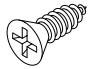
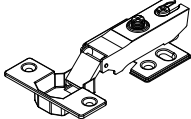
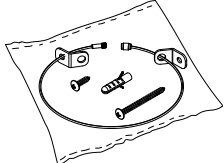
Make sure all parts are included. Most board parts are labeled or stamped on the raw edge. Contact us for a free replacement if you encounter any damaged or missing parts.

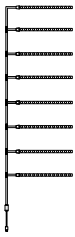
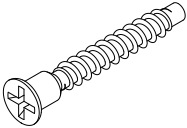
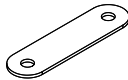

Parts List

<p>1</p>  <p>1pc</p>	<p>2</p>  <p>1pc</p>	<p>3</p>  <p>1pc</p>	<p>4</p>  <p>1pc</p>	<p>5</p>  <p>1pc</p>
<p>6</p>  <p>1pc</p>	<p>7</p>  <p>1 pc</p>	<p>8</p>  <p>1 pc</p>	<p>9</p>  <p>4 pcs</p>	<p>10</p>  <p>1pc</p>
<p>11</p>  <p>1pc</p>	<p>12</p>  <p>1 pc</p>	<p>13</p>  <p>1 pc</p>	<p>14</p>  <p>1pc</p>	<p>15</p>  <p>1pc</p>
<p>16</p>  <p>1pc</p>	<p>17</p>  <p>1 pc</p>	<p>18</p>  <p>2 pcs</p>	<p>19</p>  <p>1 pc</p>	<p>20</p>  <p>1 pc</p>
<p>21</p>  <p>1pc</p>	<p>22</p>  <p>1 pc</p>	<p>23</p>  <p>1 pc</p>	<p>24</p>  <p>1 pc</p>	<p>25</p>  <p>1 pc</p>
<p>26</p>  <p>1pc</p>				

Hardware List

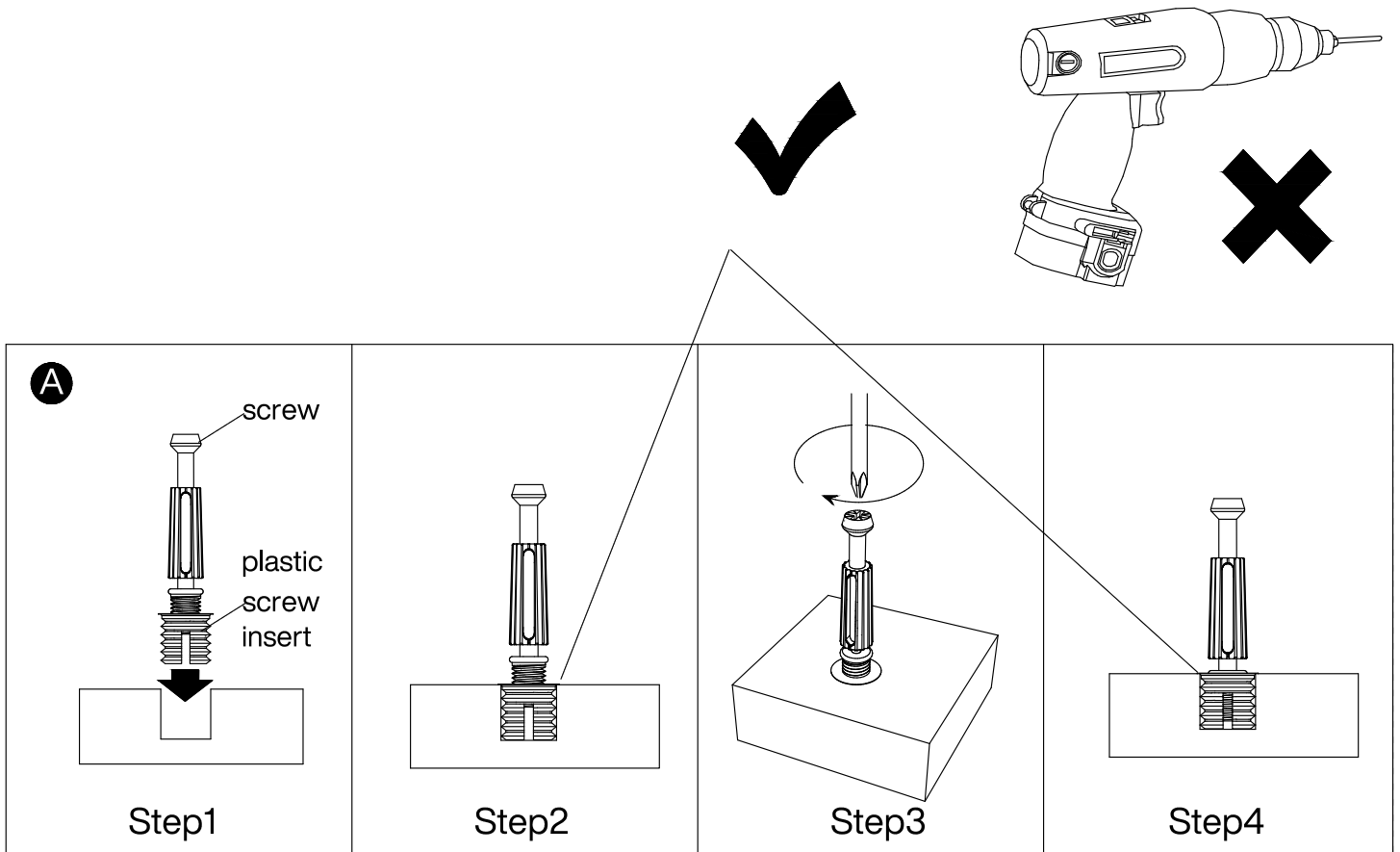
A	B	C	D	E	F
					
M6x35mm	Ø15x12mm	Ø8x30mm	M6x35mm	Ø3.5x14mm	
50 pcs	54 pcs	18 pcs	4 pcs	28 pcs	8 pcs

G	H	I	J	K	L
				 E X6 Ø3.5x14mm 	
Ø4x20mm	128mm				
4 pcs	2 pcs	4 pcs	20 pcs	8 pcs	1 pc

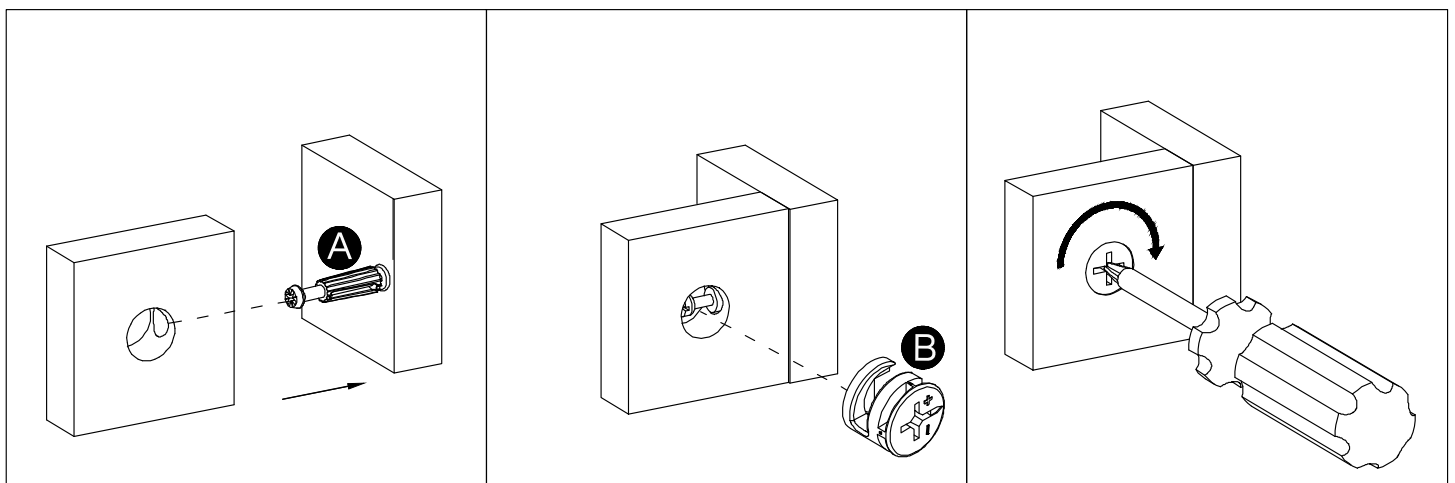
M	N	O			
					
Light strip	Ø7x38mm				
1 pc	12 pcs	4 pcs	1 pc		

Installation of Cams and Pins

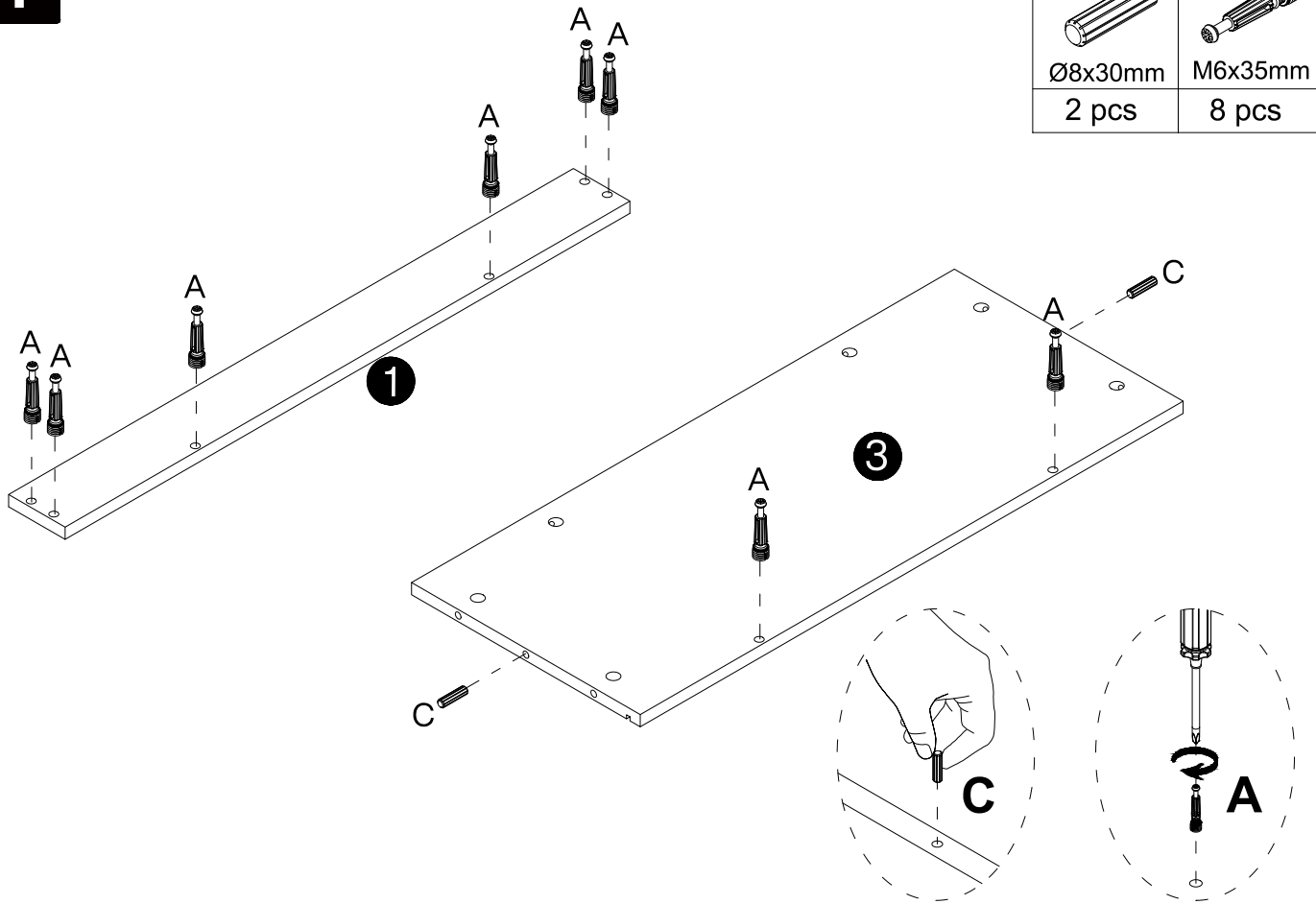
Step 1-2: Align the plastic part with the mounting hole and press it in. If you can't press it in, loosen the screw counter clockwise or completely remove the screw from the plastic part and try again.
Step 3-4: After pressing the plastic part into place, use a screwdriver to tighten the screw clockwise.

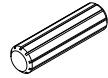



Screw the pin into the hole. Set the cams correctly by aligning the head of the cams with the lock pins. Lock the cam by turning the cam head with a screwdriver until it is tightened. Please do not use an electric screwdriver to assemble the unit.

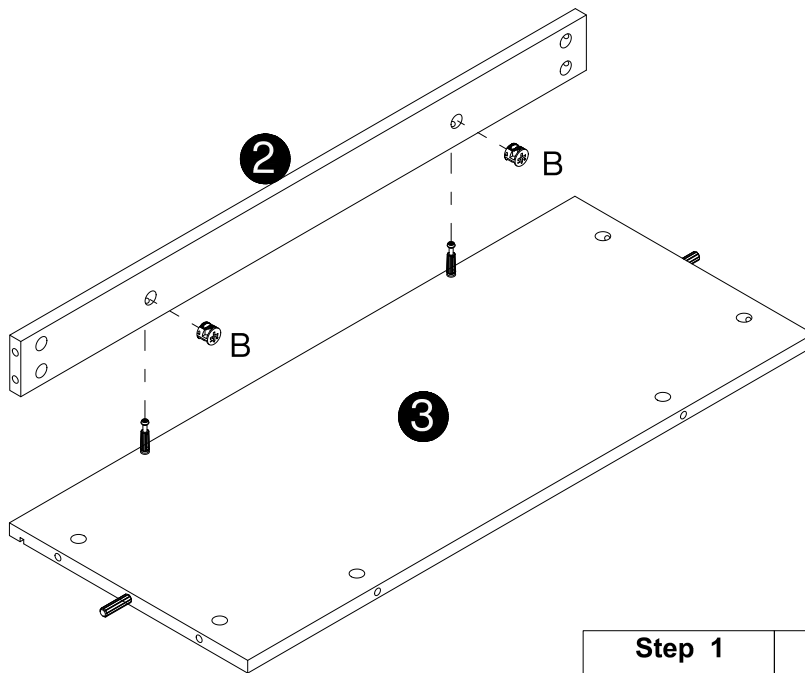



1

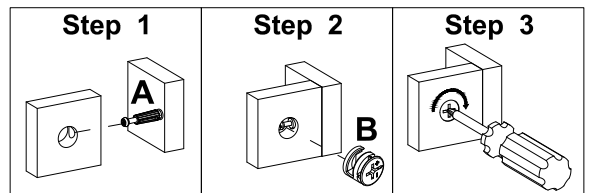


C	A
	
Ø8x30mm	M6x35mm
2 pcs	8 pcs

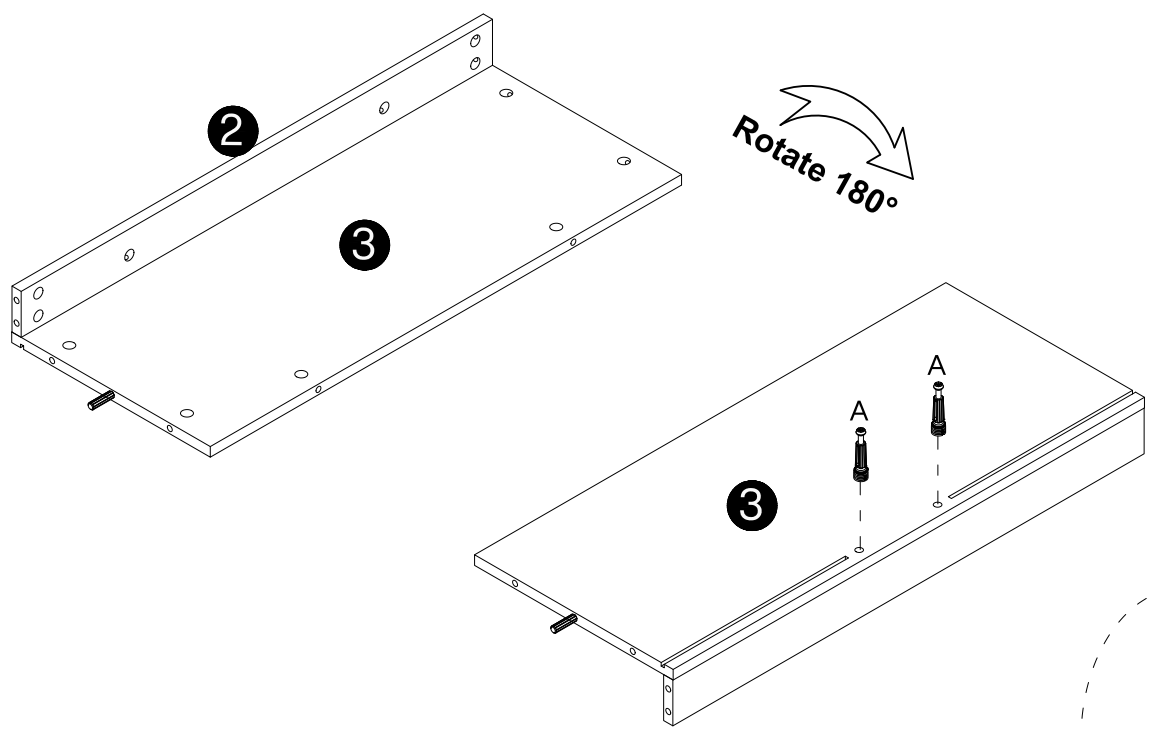
2




B

Ø15x10mm
2 pcs

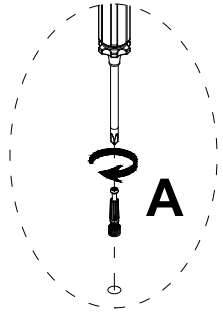


3

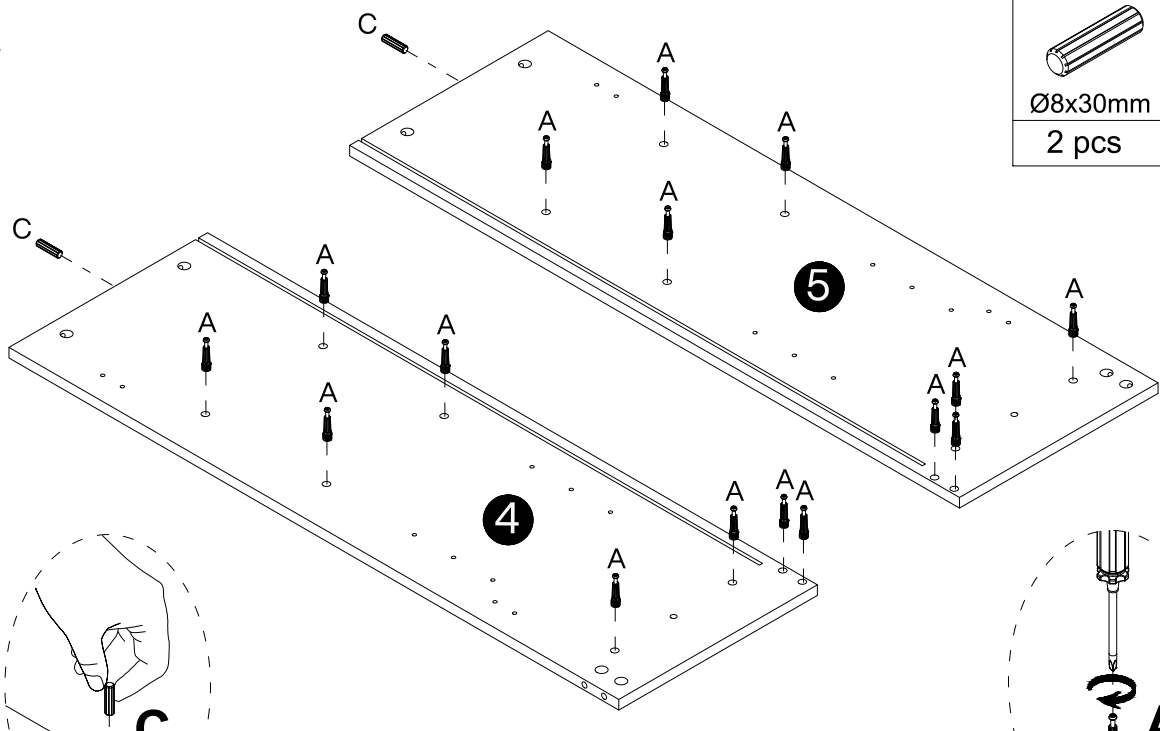


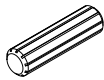

Rotate 180°

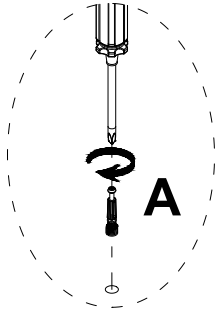
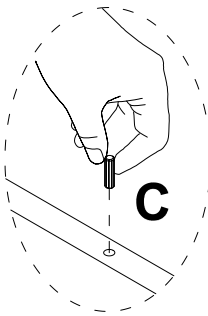
A

M6x35mm
2 pcs



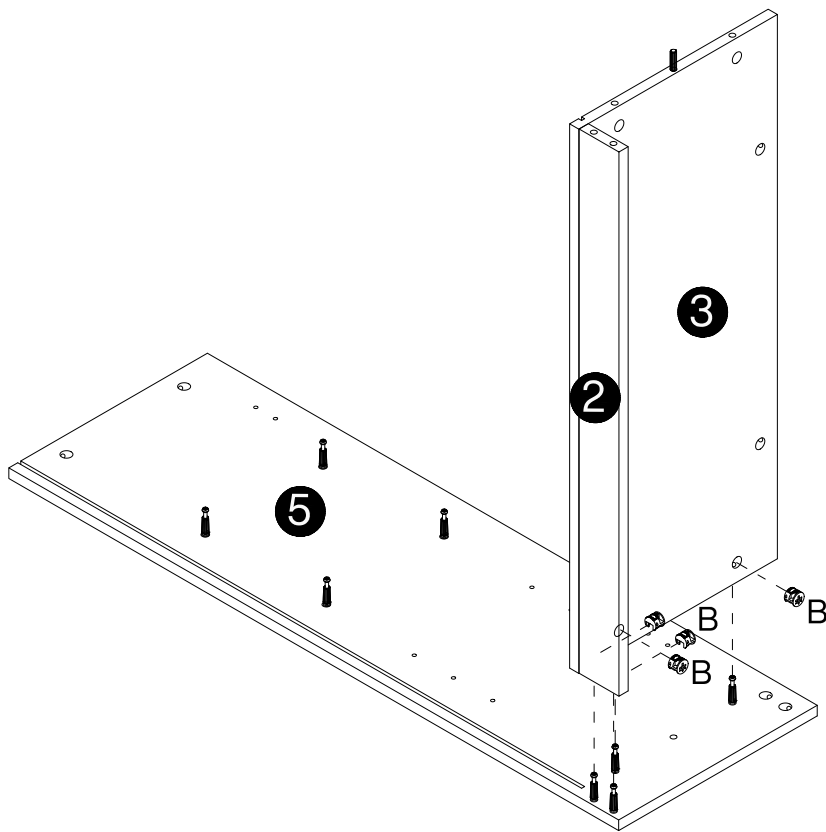
4

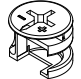


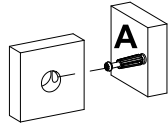
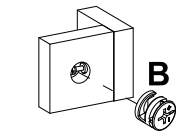
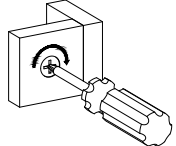
C	A
	
Ø8x30mm	M6x35mm
2 pcs	16 pcs



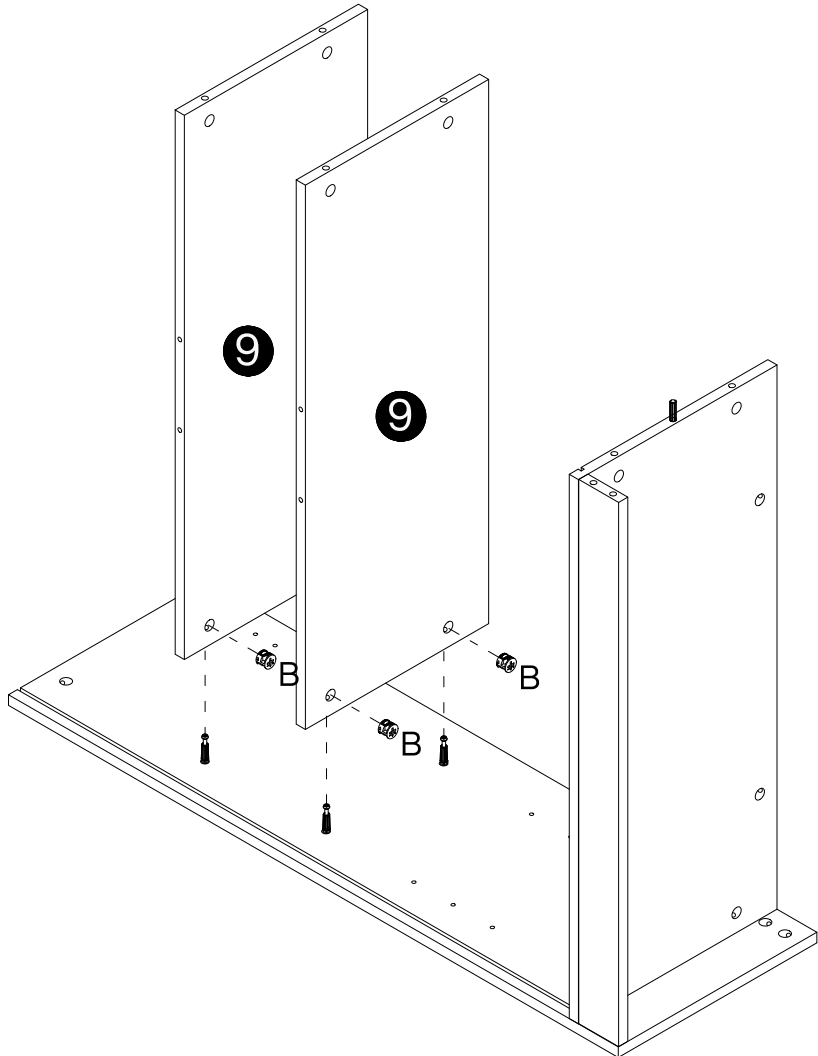
5

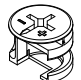


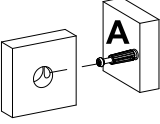
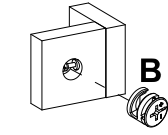
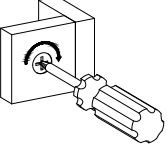
B

Ø15x10mm
4 pcs

Step 1

Step 2

Step 3



6



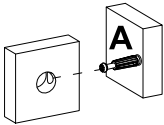
B

Ø15x10mm
4 pcs

Step 1

Step 2

Step 3


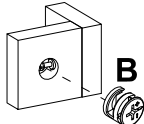
7

B

Ø15x10mm
8 pcs

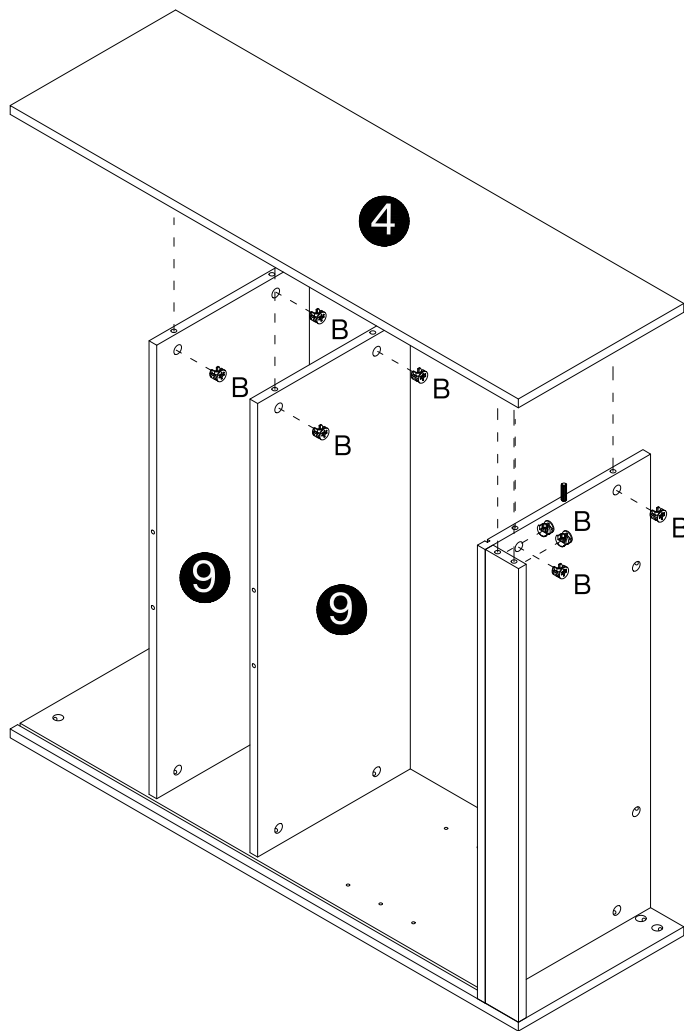
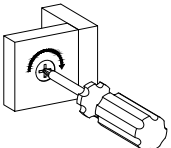
Step 1



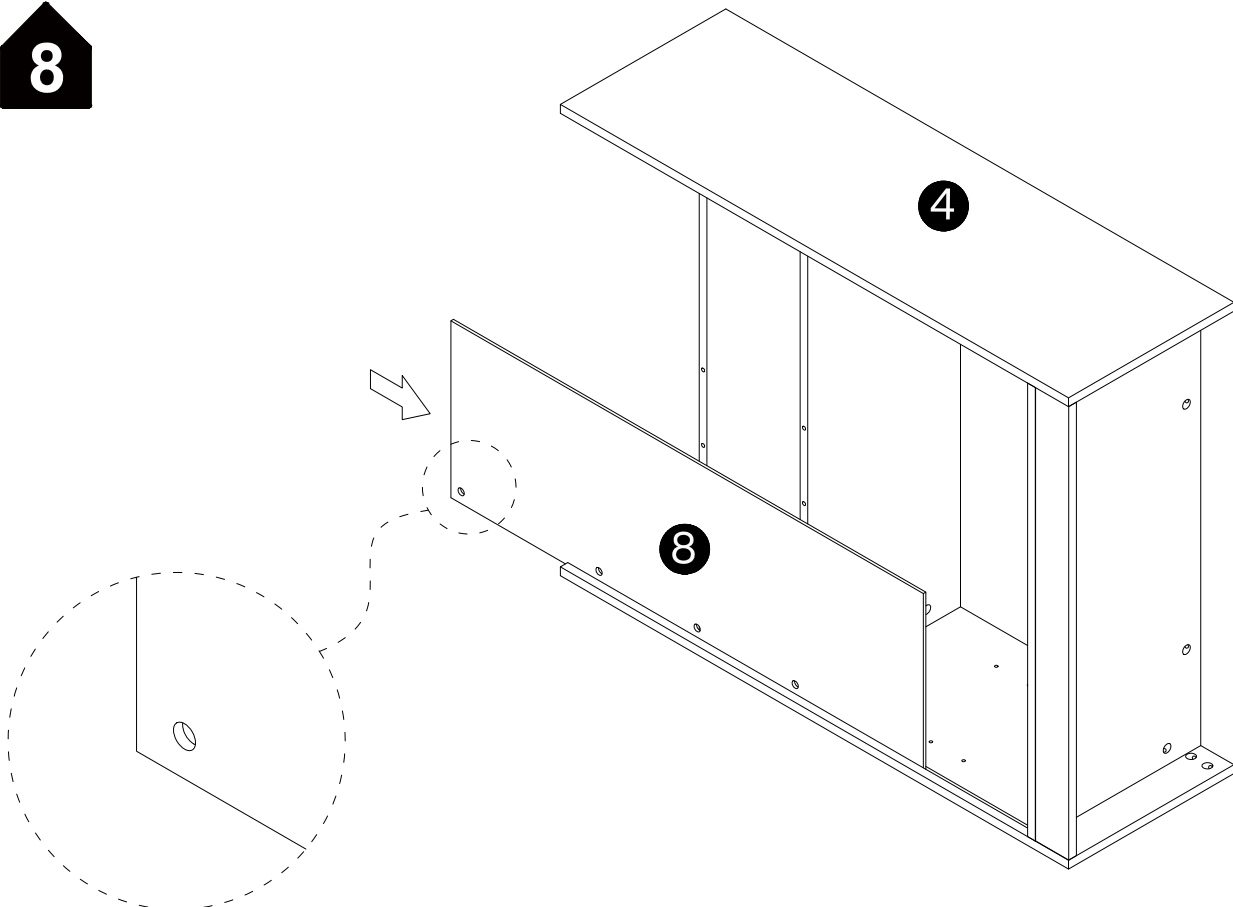
Step 2



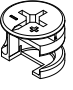
Step 3

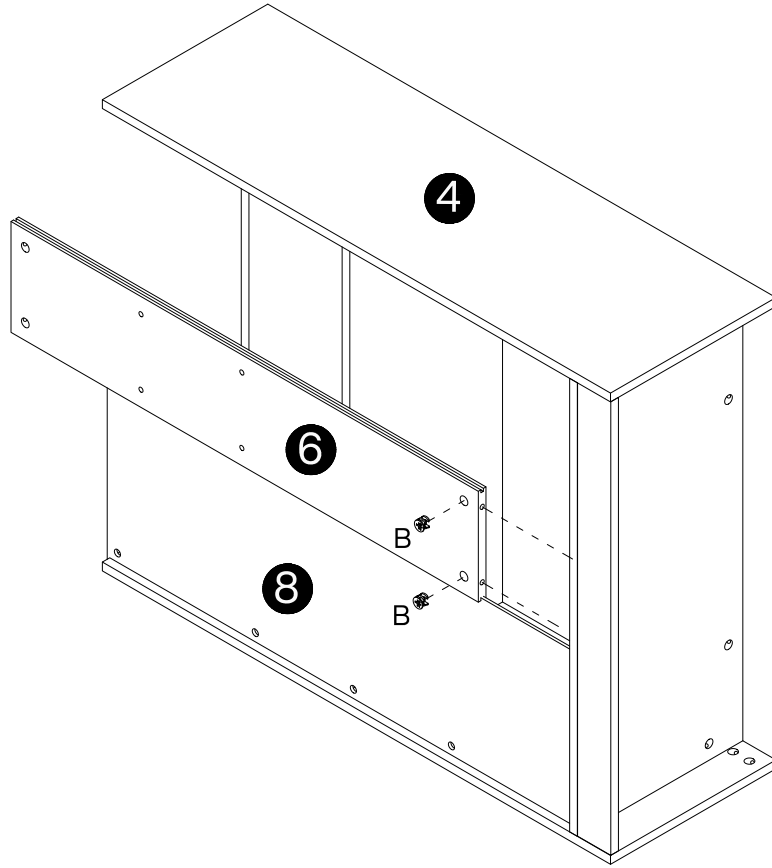
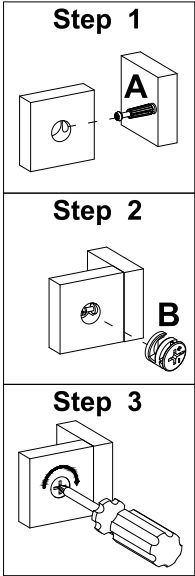


8

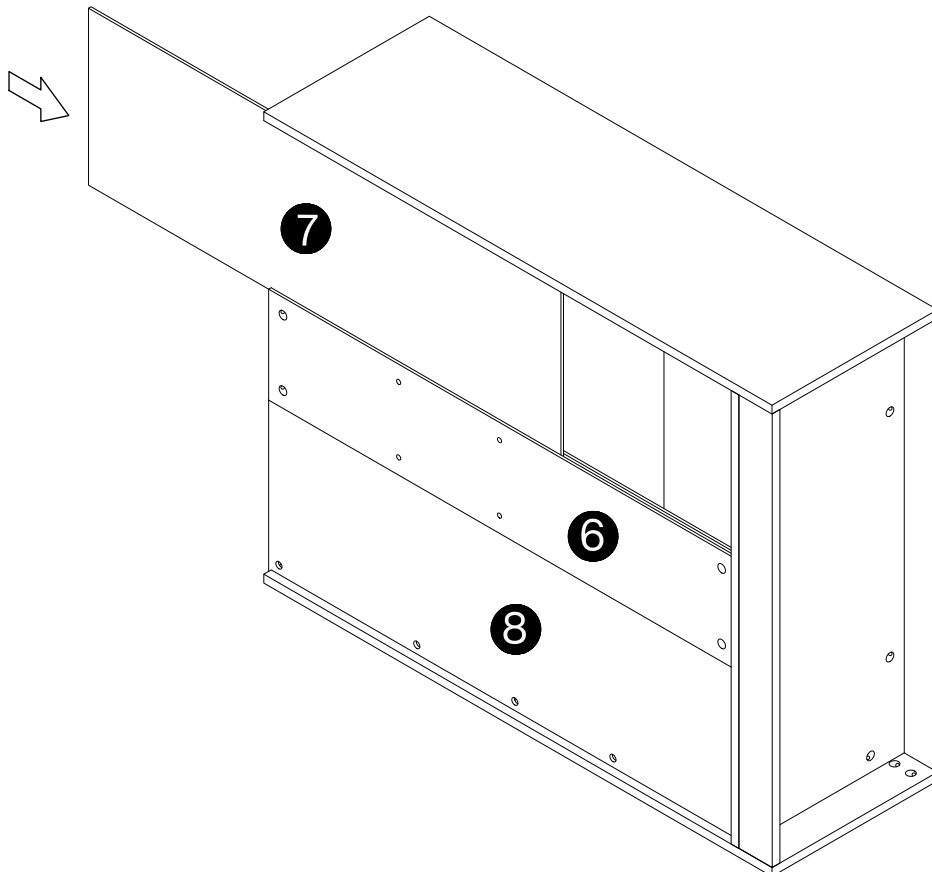


9

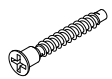
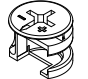
B

Ø15x10mm
2 pcs

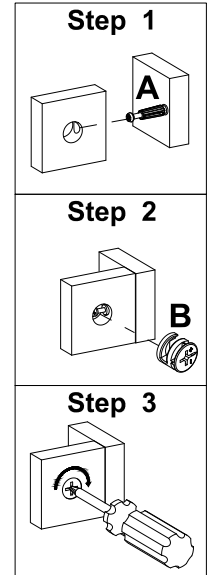
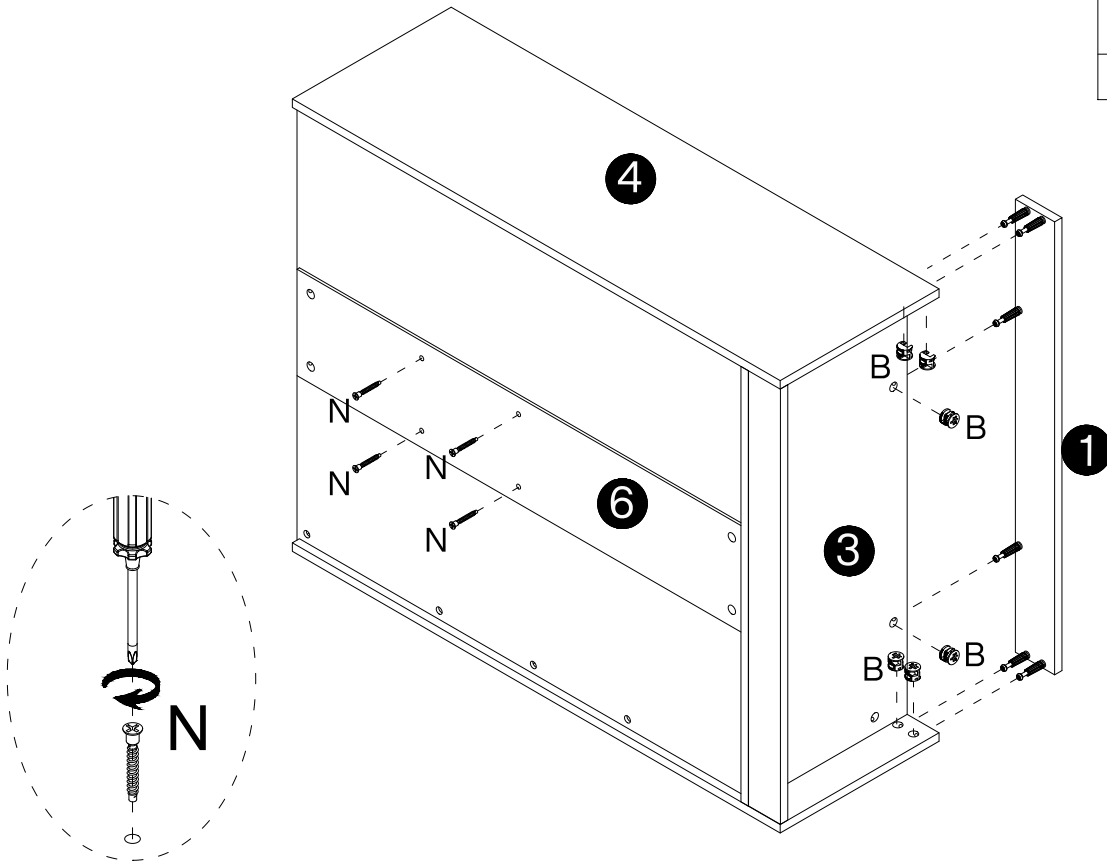


10





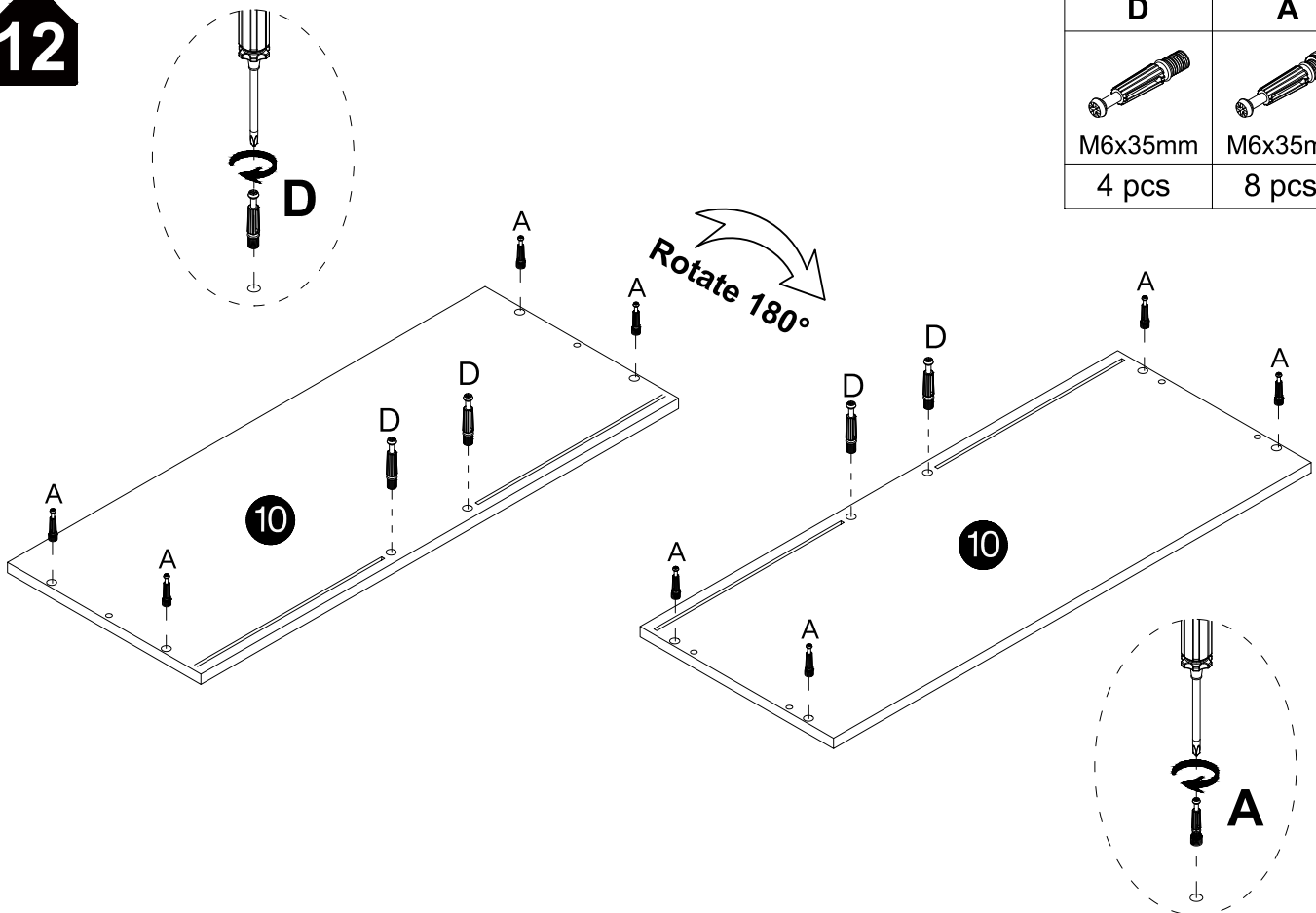
11

N	B
	
Ø7x38mm	Ø15x10mm
4 pcs	6 pcs




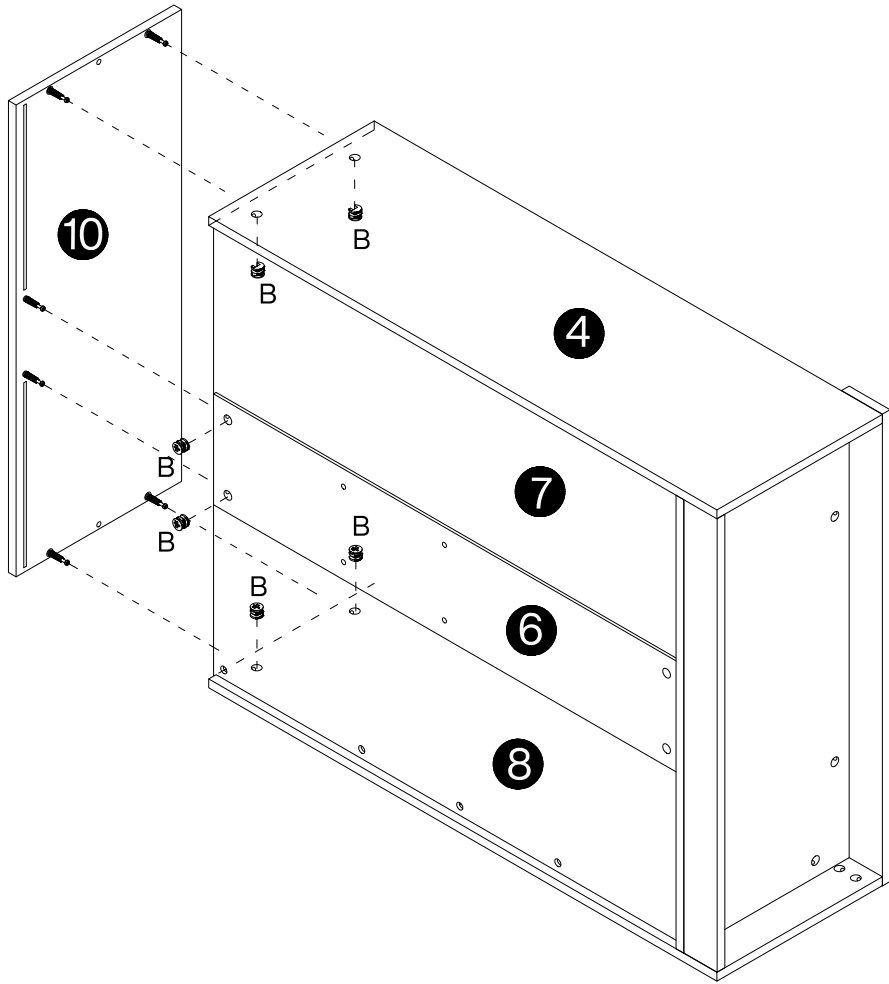
12

D	A
	
M6x35mm	M6x35mm
4 pcs	8 pcs

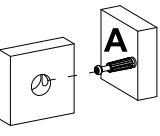


13

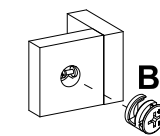
B

Ø15x10mm
6 pcs



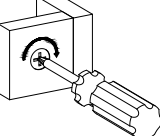
Step 1



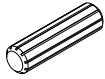

Step 2

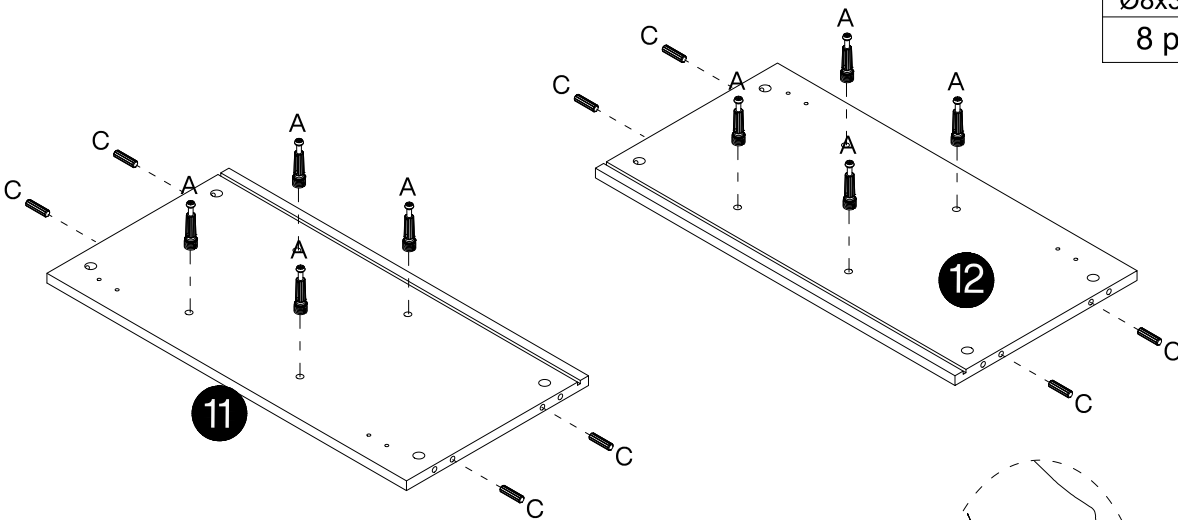
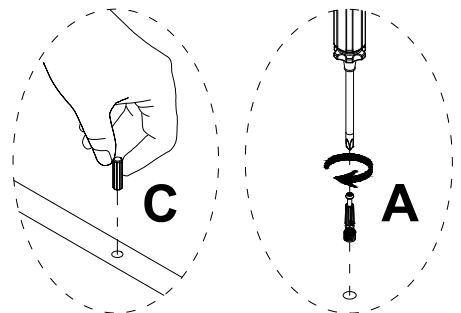


Step 3

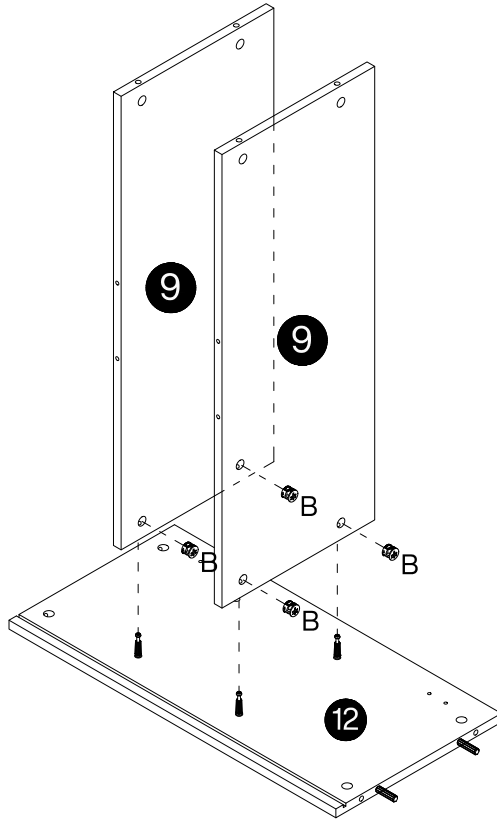
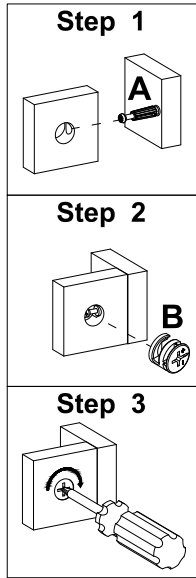


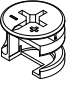
14

C	A
	
Ø8x30mm	M6x35mm
8 pcs	8 pcs

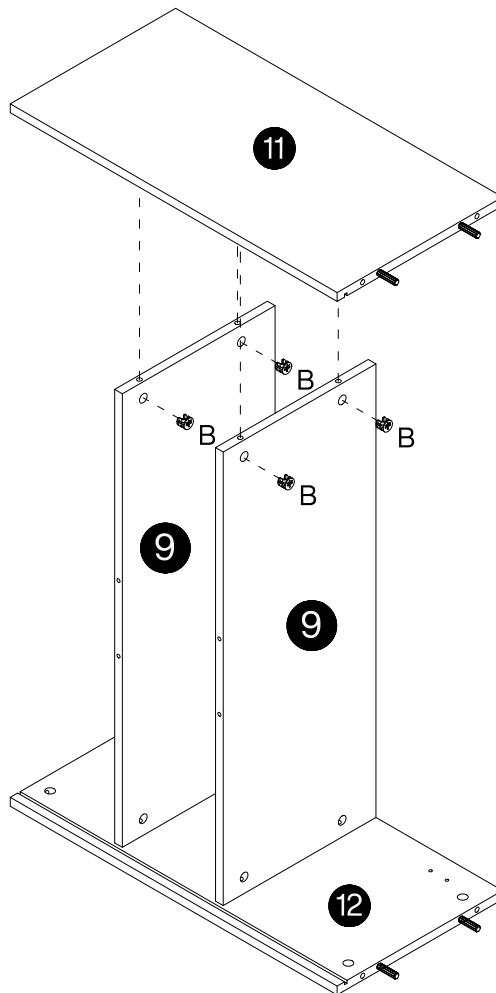
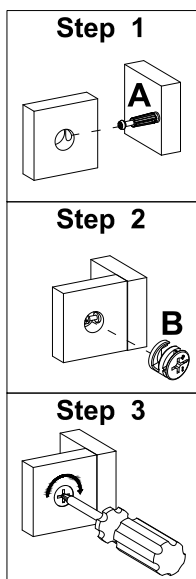




15




B

Ø15x10mm
4 pcs

16

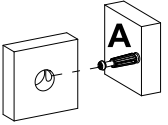


B

Ø15x10mm
4 pcs

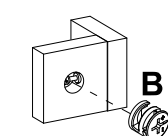
17

B

Ø15x10mm
4 pcs

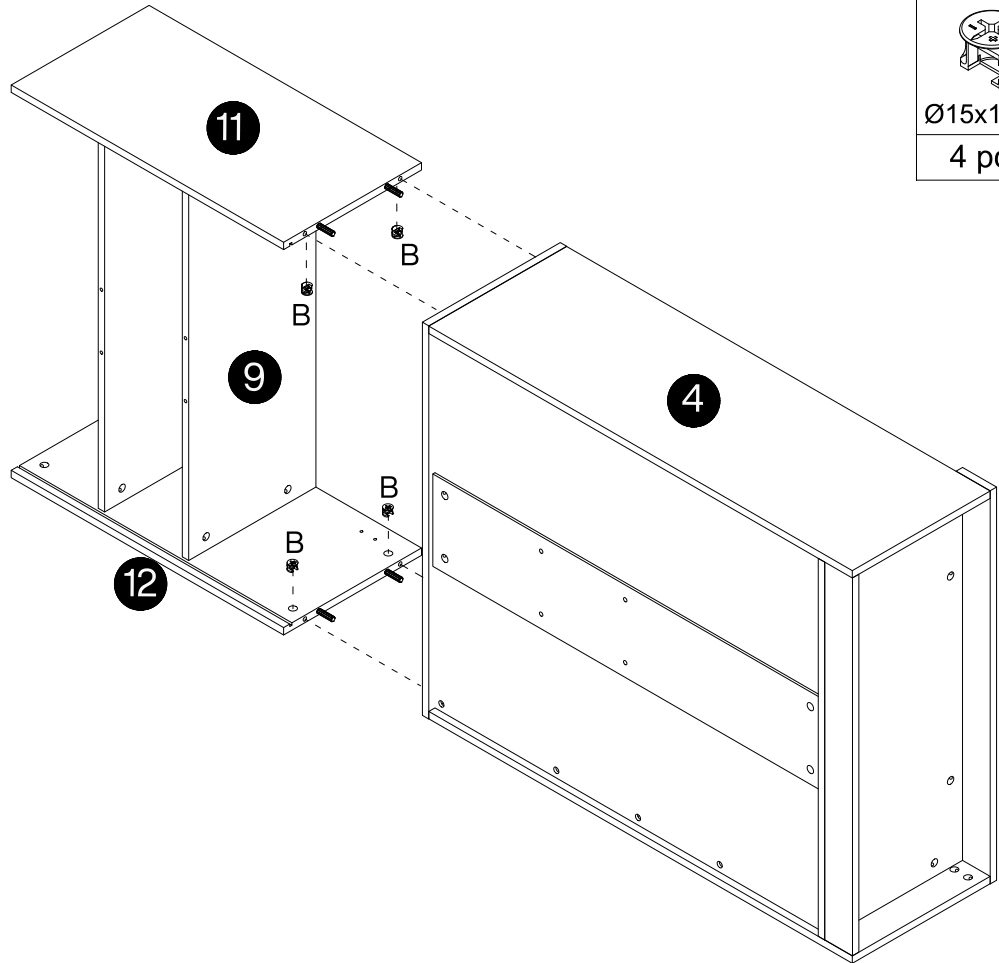
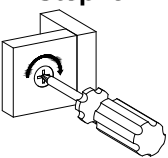
Step 1



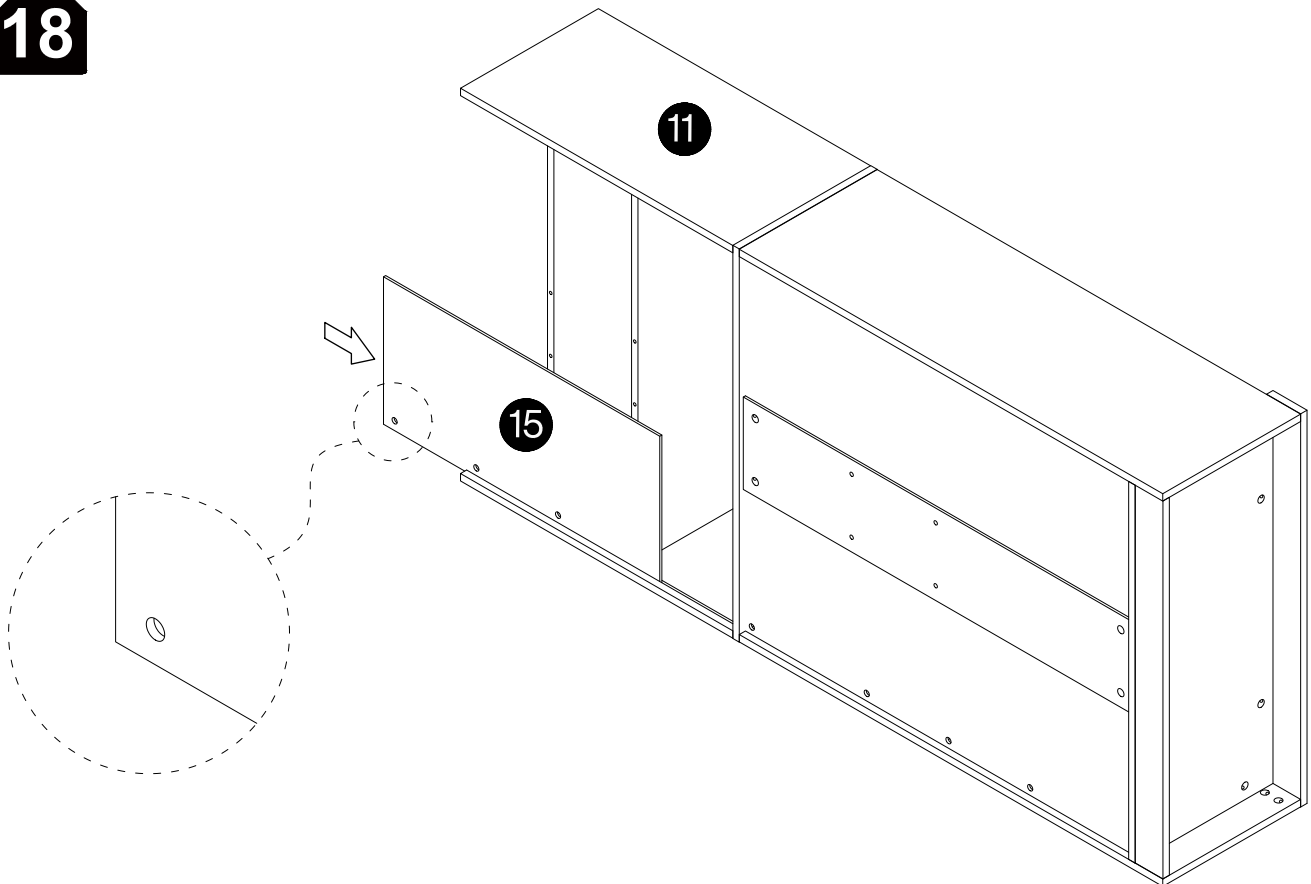
Step 2




Step 3



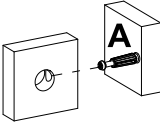
18



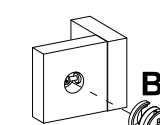
19

B

Ø15x10mm
2 pcs

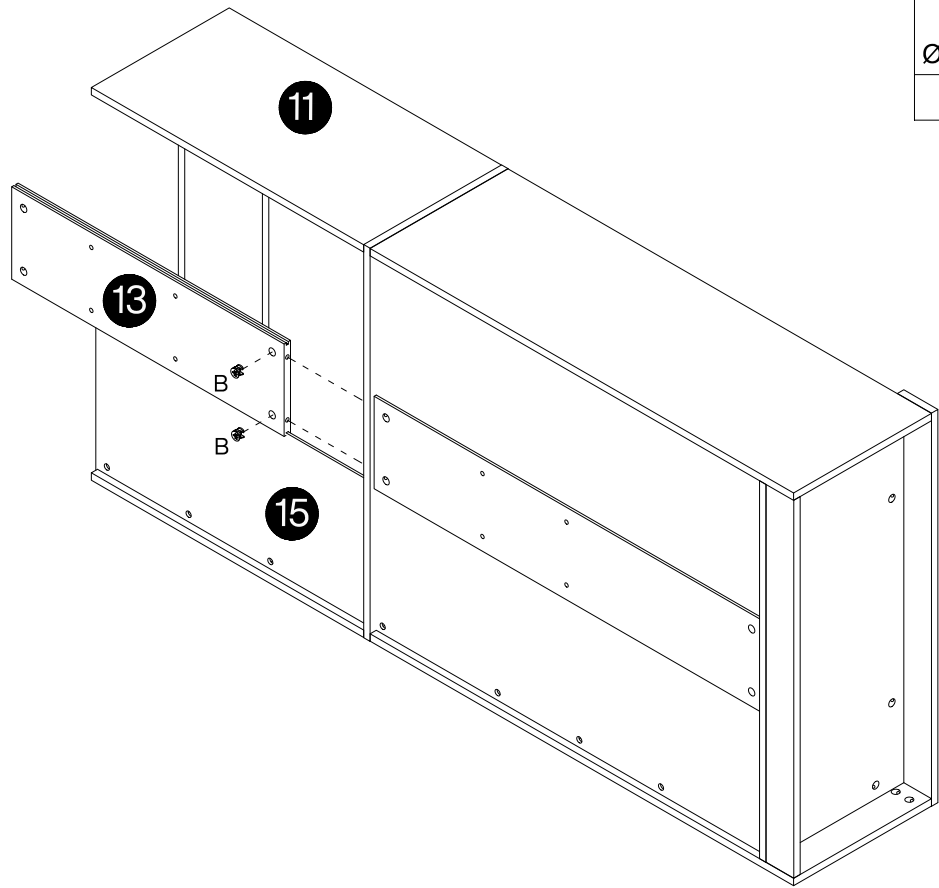
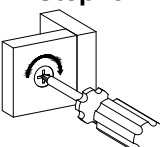
Step 1



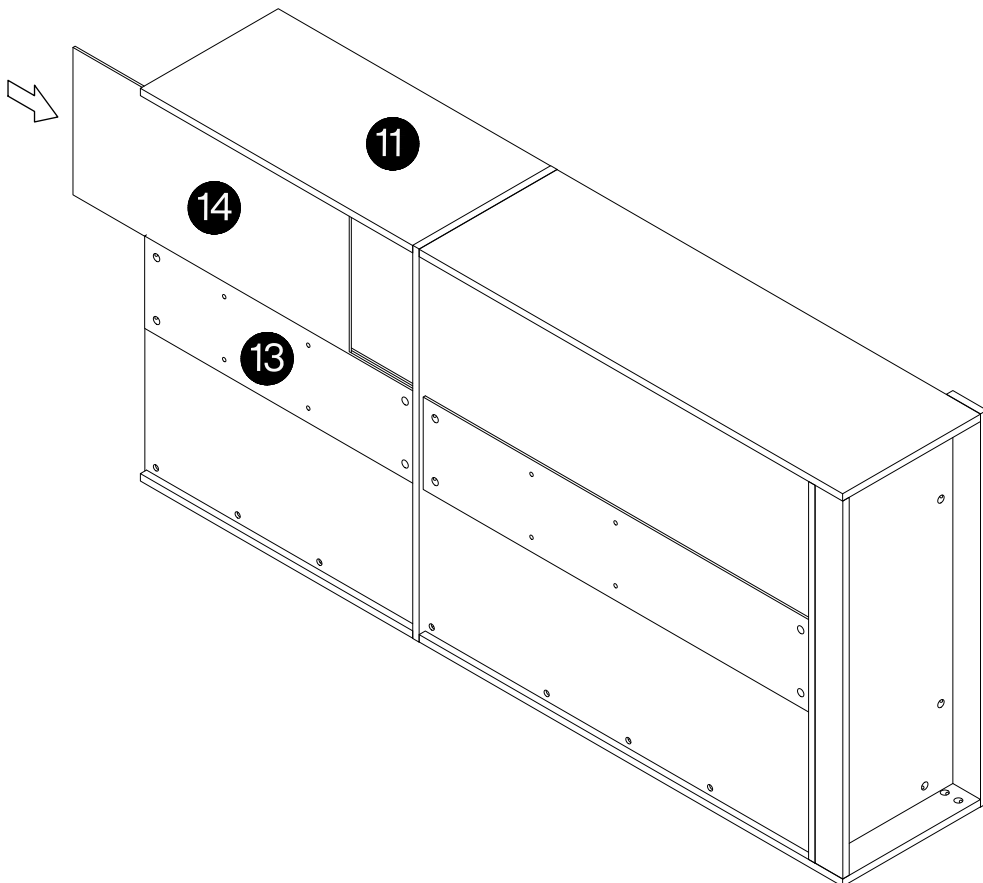
Step 2



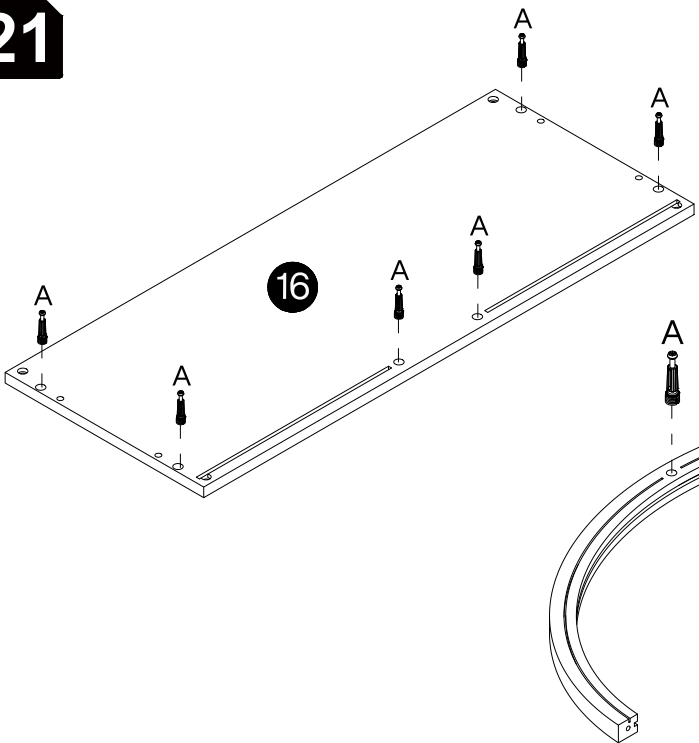
Step 3




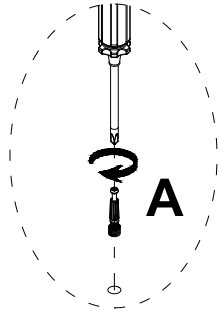
20



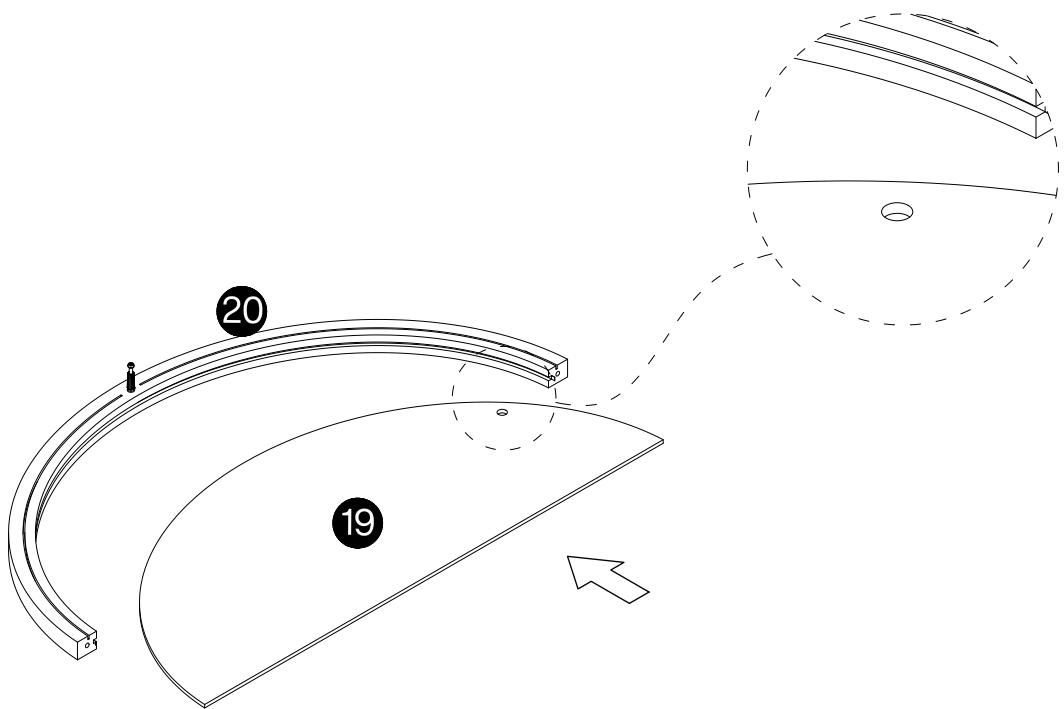
21




A

M6x35mm
8 pcs

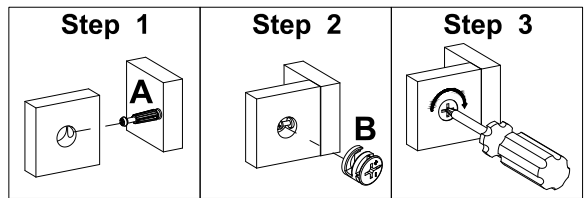
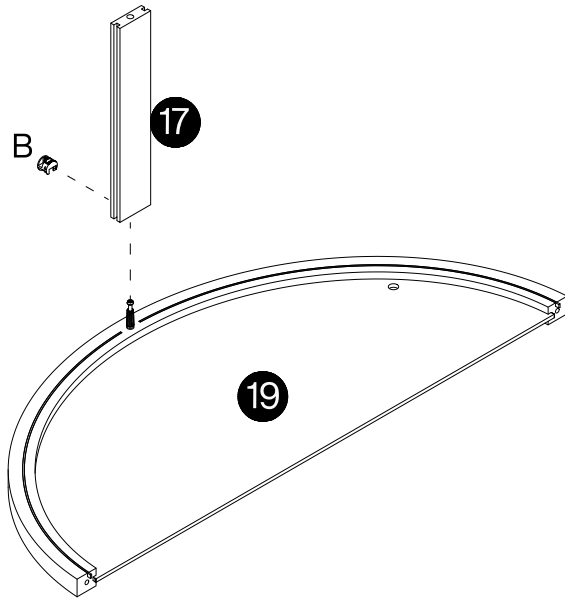


22

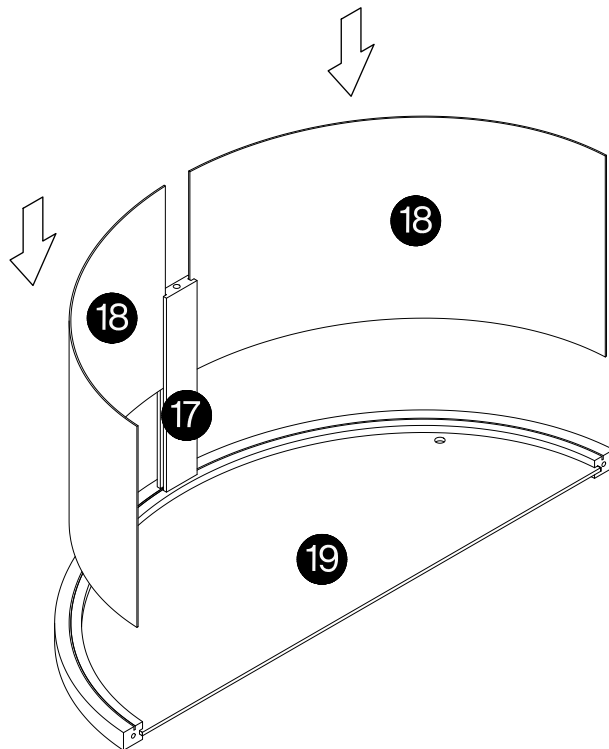


23

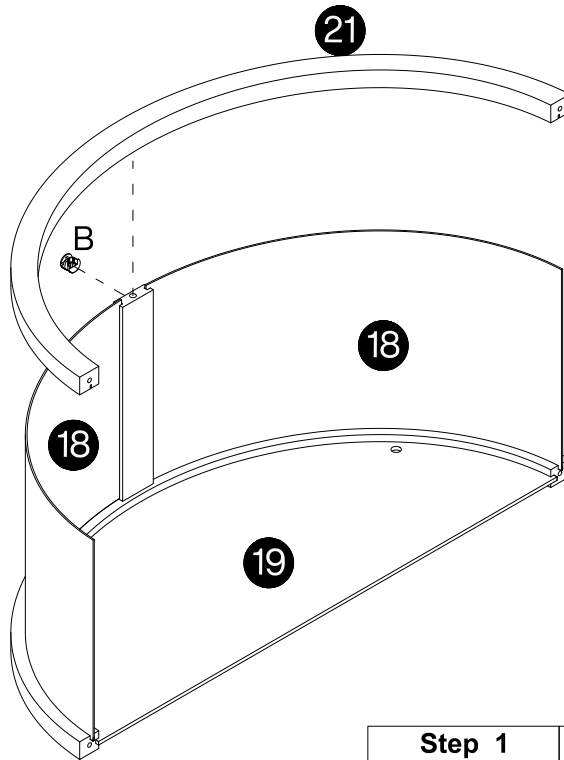
B

Ø15x10mm
1 pc




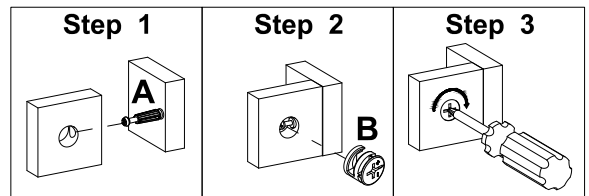
24



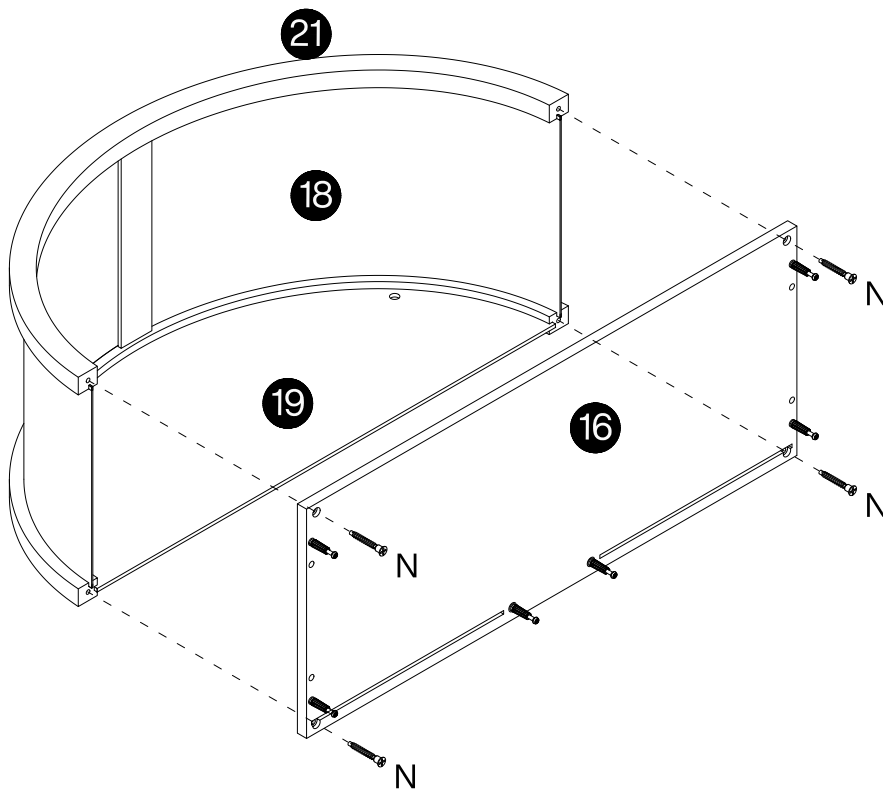
25




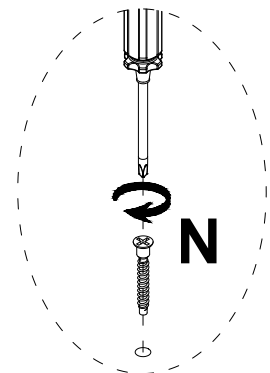
B

Ø15x10mm
1 pcs


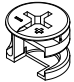


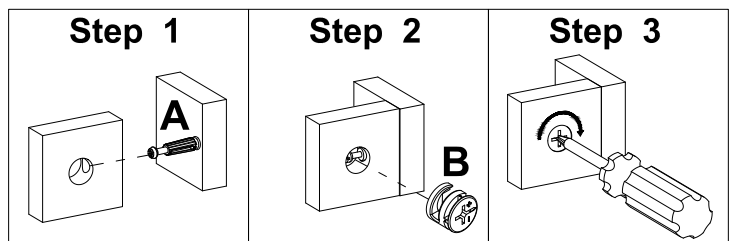
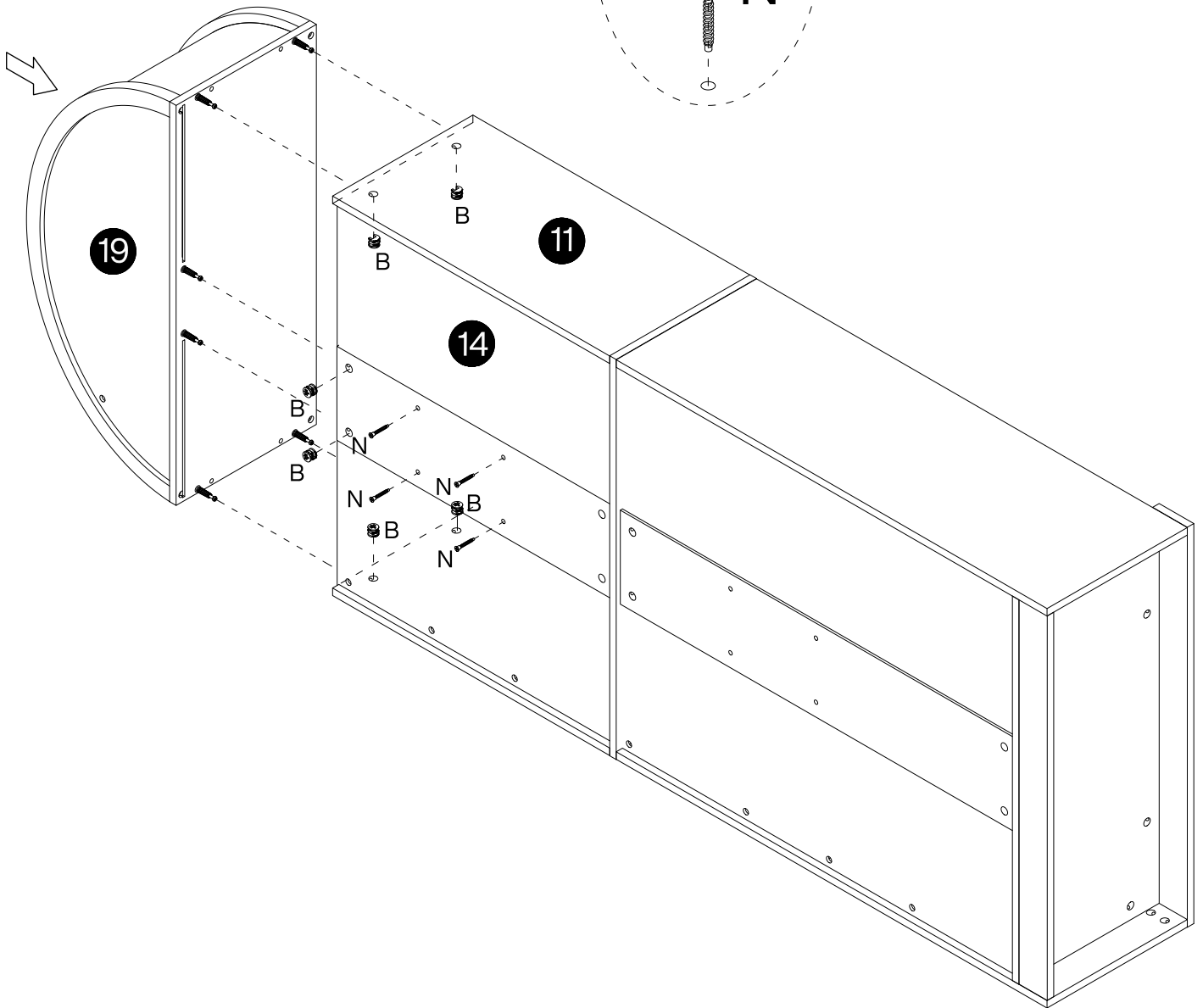
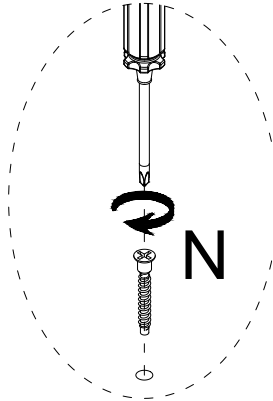
26



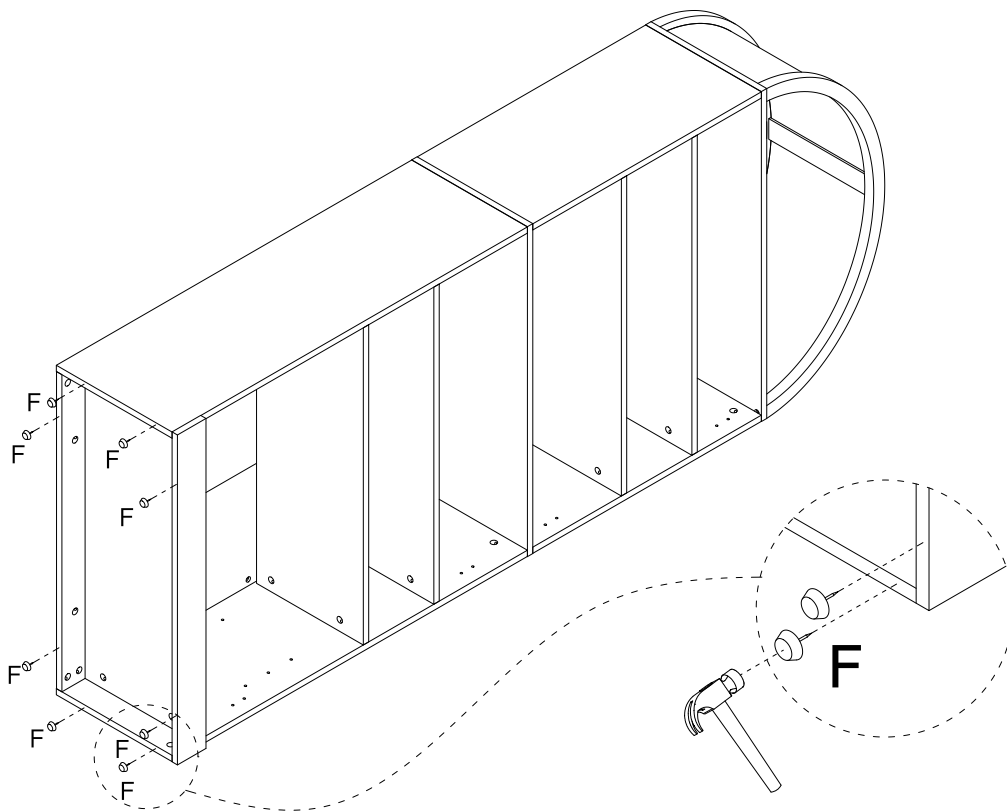
N

Ø7x38mm
4 pcs




N	B
	
Ø7x38mm	Ø15x10mm
4 pcs	6 pcs



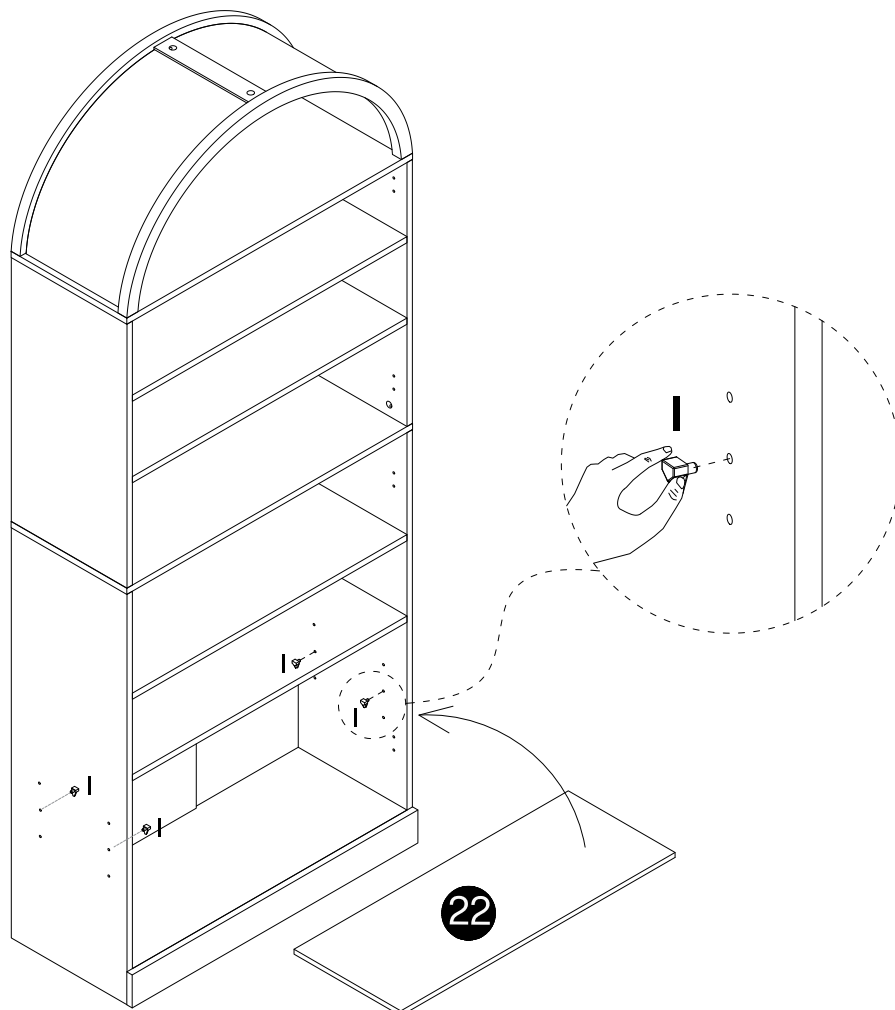
28

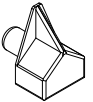


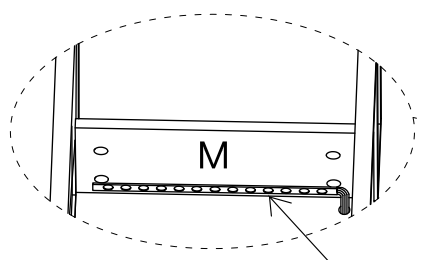
F

8 pcs

⚠ Caution! Tap lightly

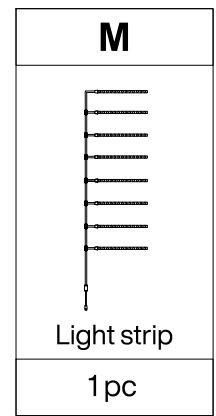
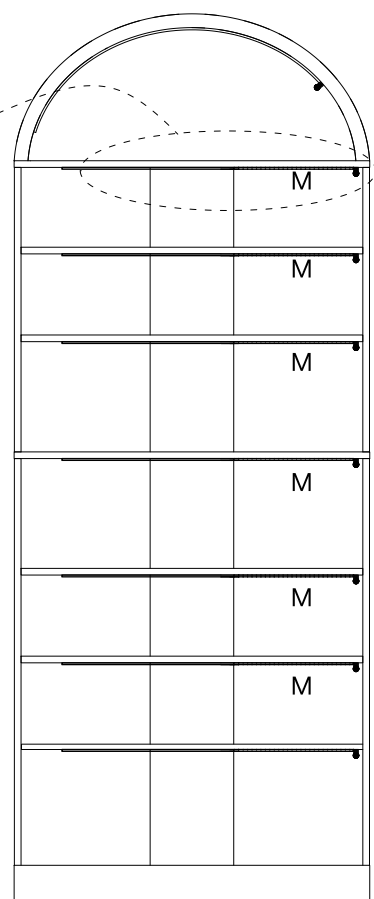
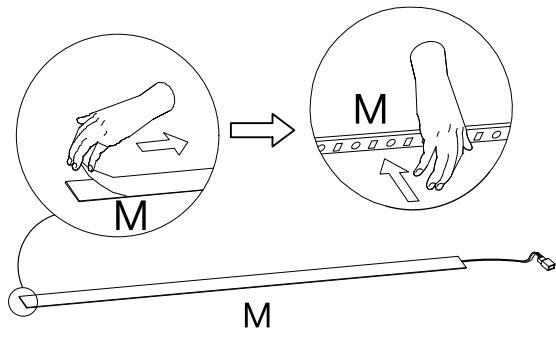
29



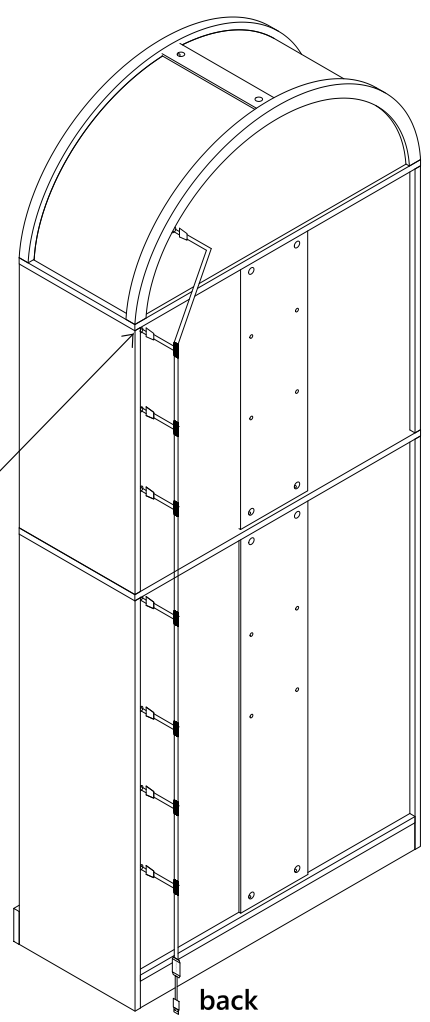
I

4 pcs



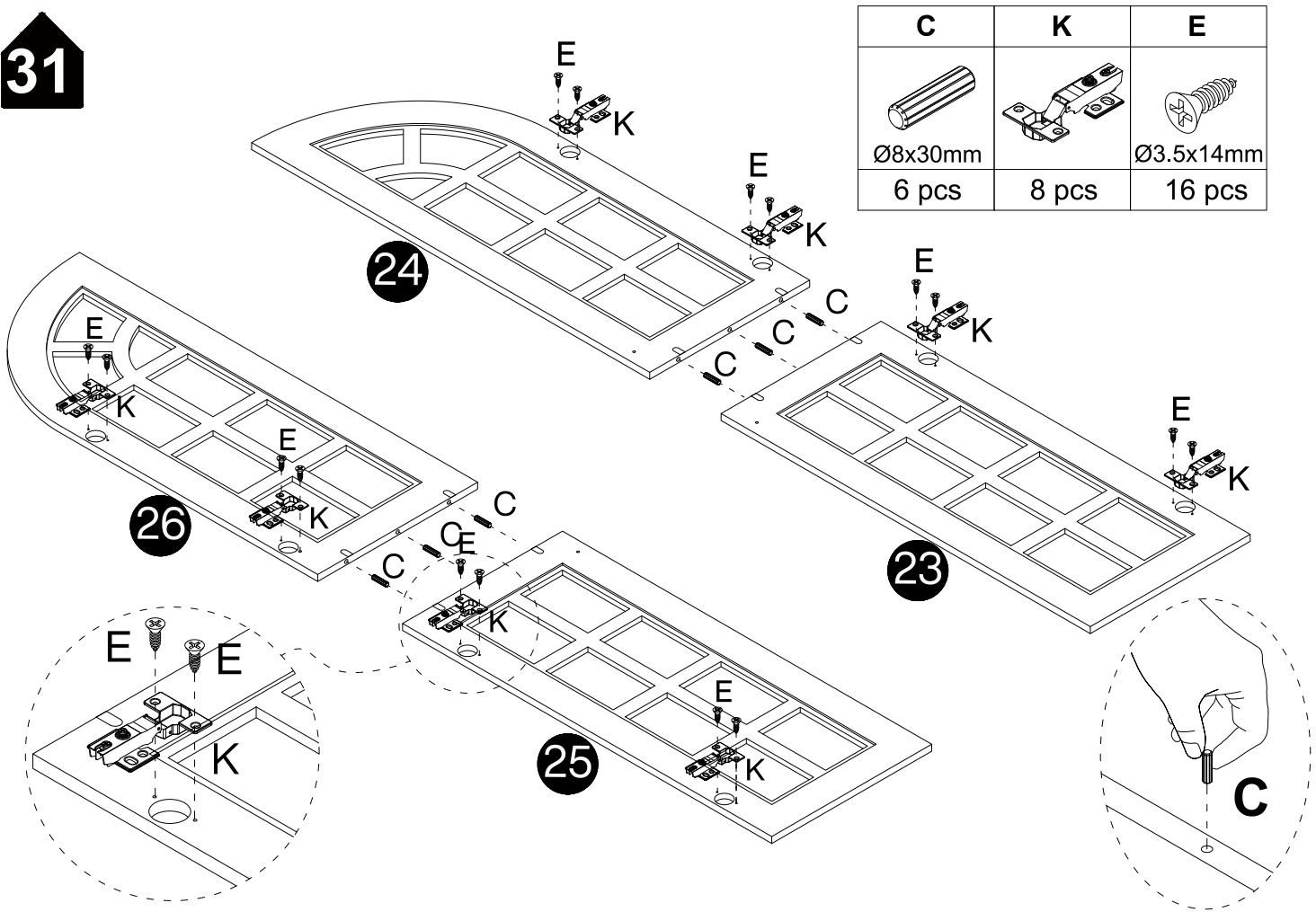
First, tear off the paper on the back of the light strip, and then stick it to the back of each layer of partition bottom



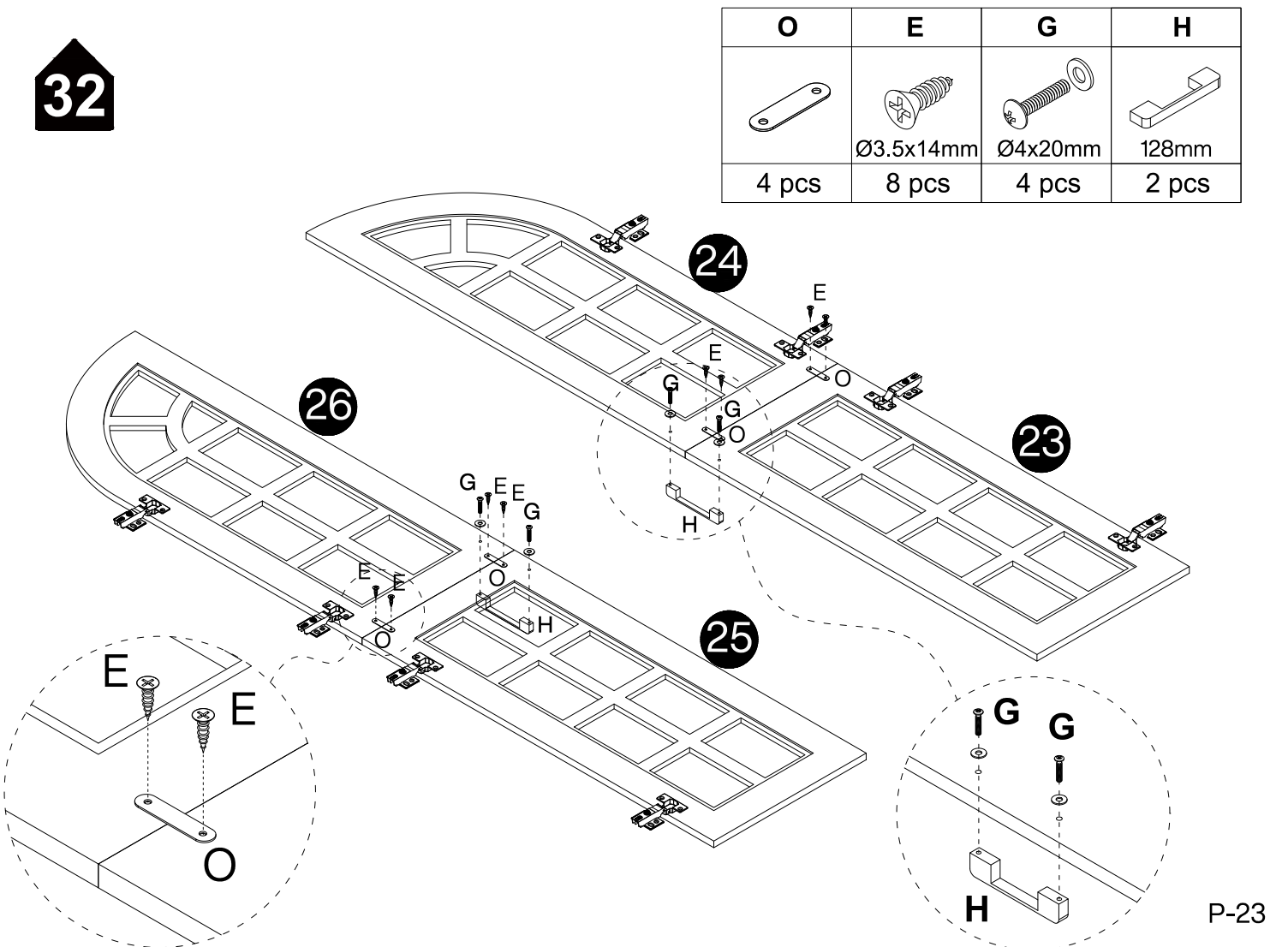
After sticking the light strip, connect the wiring heads one by one on the back of the cabinet




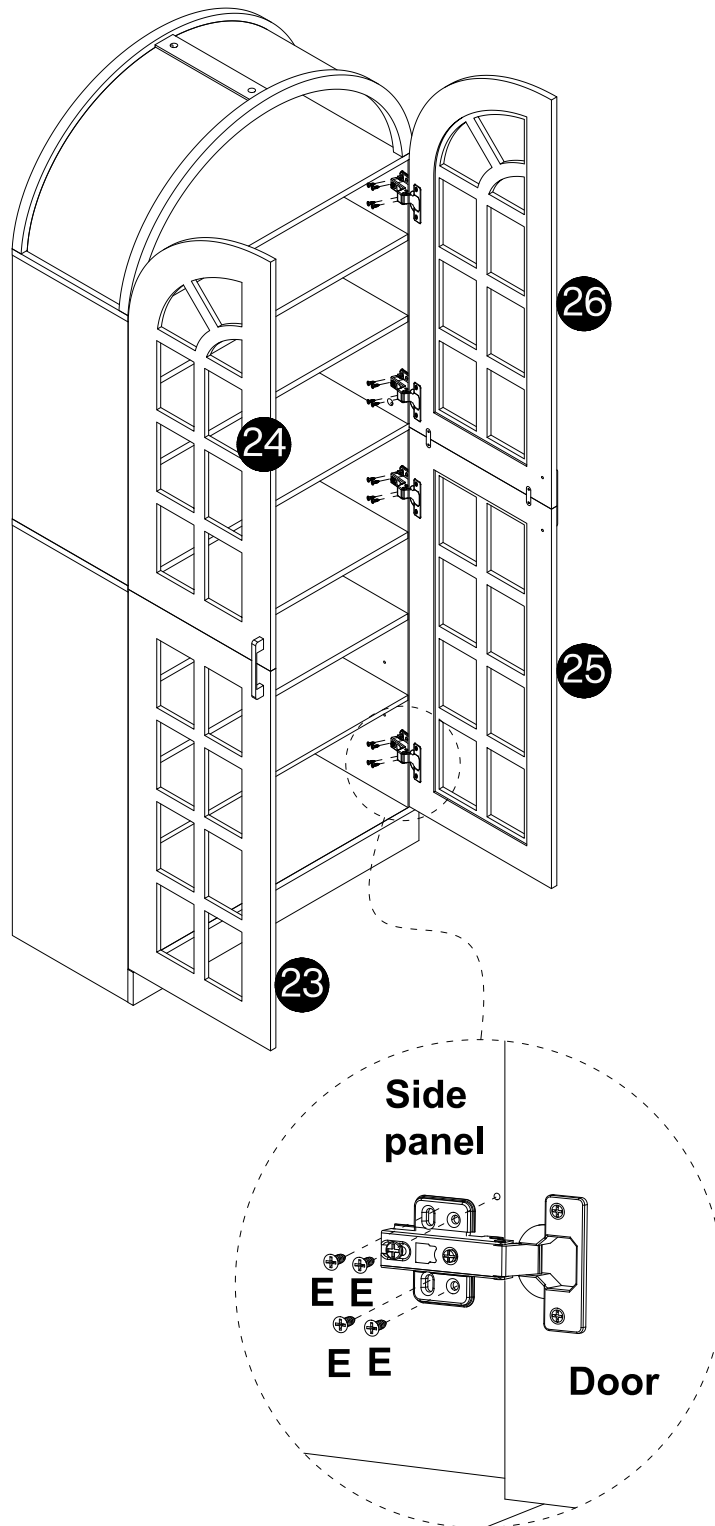
31



32



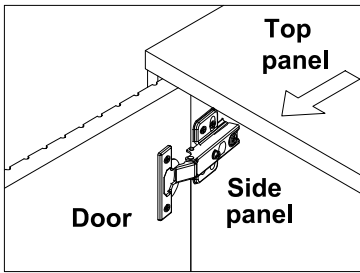
E

Ø3.5x14mm
32 pcs



To prevent the door hinge from falling off, please install 4 screws

Step 1

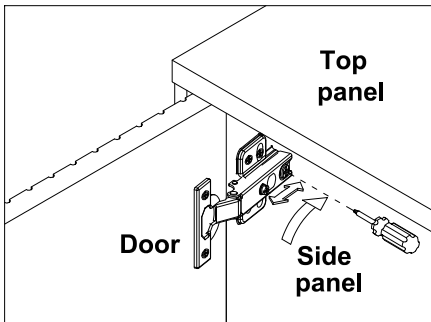
Open the door.



ADJUST YOUR DOORS TO MAKE THE GAPS MORE EVEN (OPTIONAL).

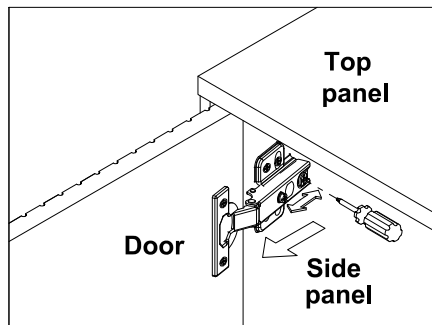
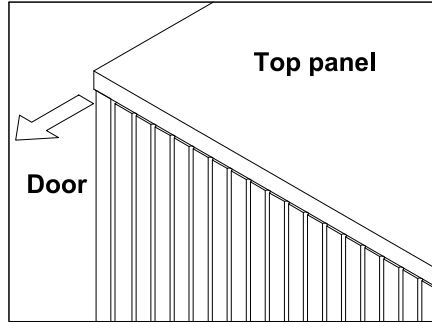
Step 2

Adjust the door panel to be flush with side panel and top panel edge.



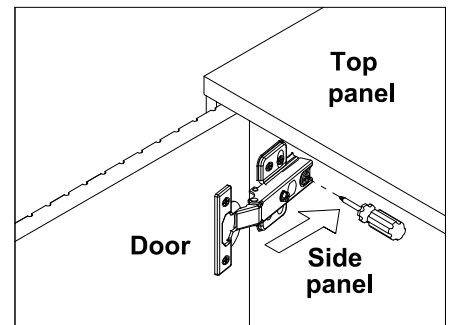
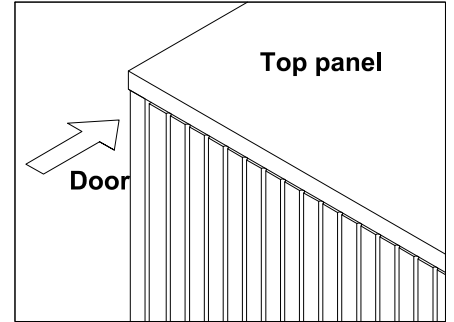
Loosen the screw indicated a little, adjust the hinge to the right position (see step 2a & 2b), then tighten the screw.

Step 2a MOVE DOOR OUT



Pull the hinge forward a little.

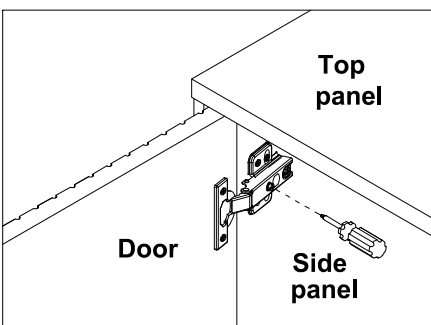
Step 2b MOVE DOOR IN



Push the hinge back a little.

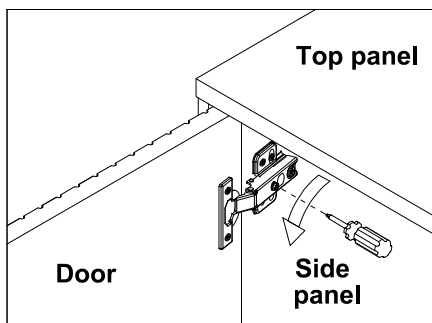
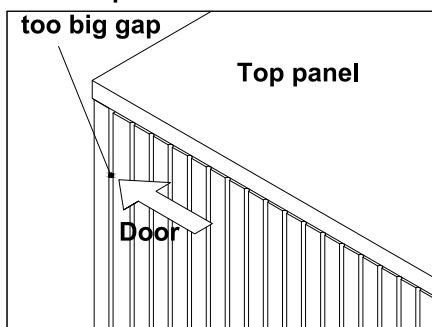
Step 3

Adjust the gap between the door panel and the side panel.



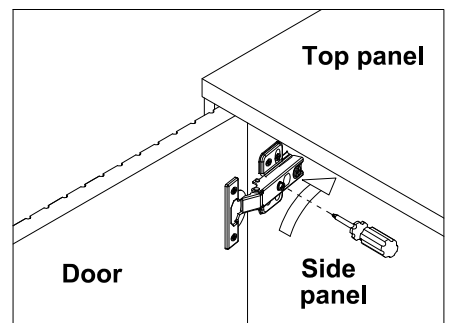
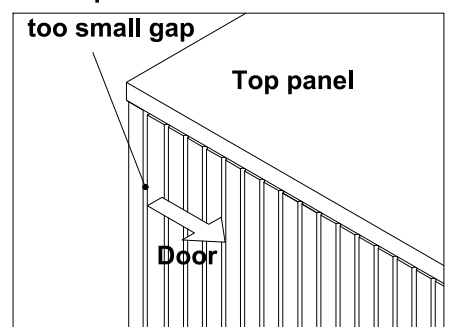
Loosen or tighten the screw indicated a little to adjust the gap between the door panels, adjust the hinge to the right position (see step 3a & 3b).

Step 3a MOVE DOOR LEFT



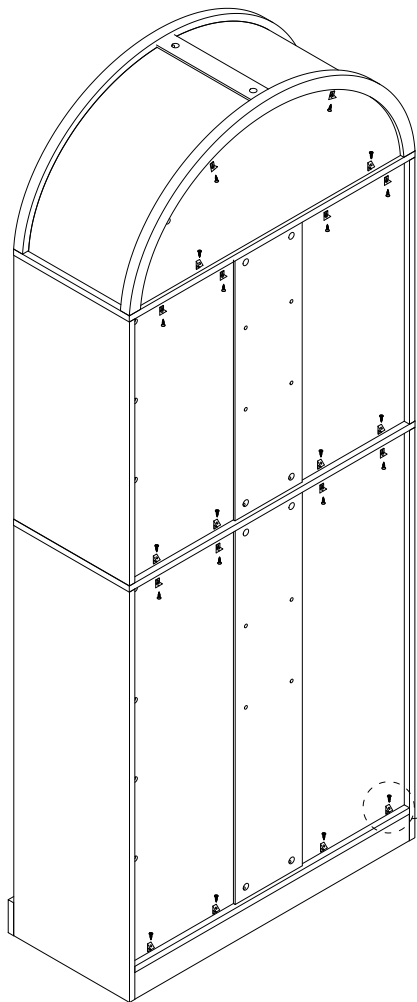
Turn the screw clockwise a little as shown to make the gap smaller

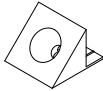
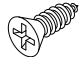
Step 3b MOVE DOOR RIGHT

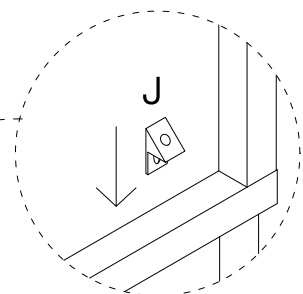


Turn the screw counterclockwise a little as shown to make the gap bigger

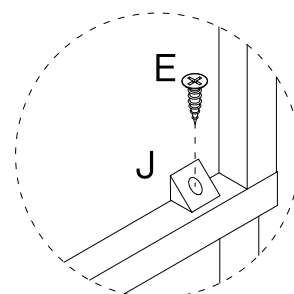
34



J	E
	
20 pcs	20 pcs

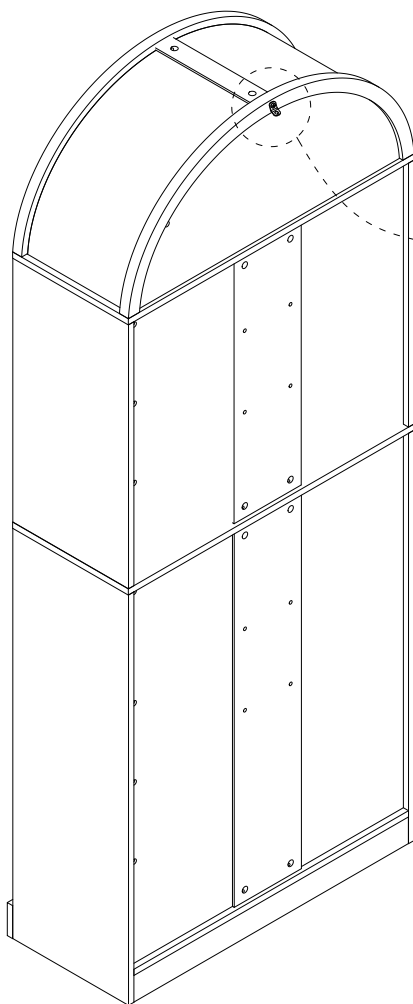



Step 1

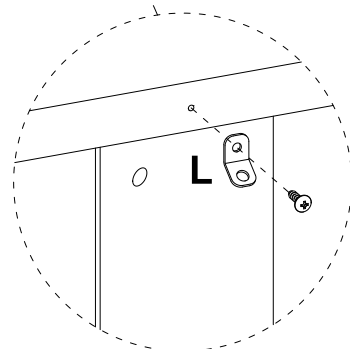


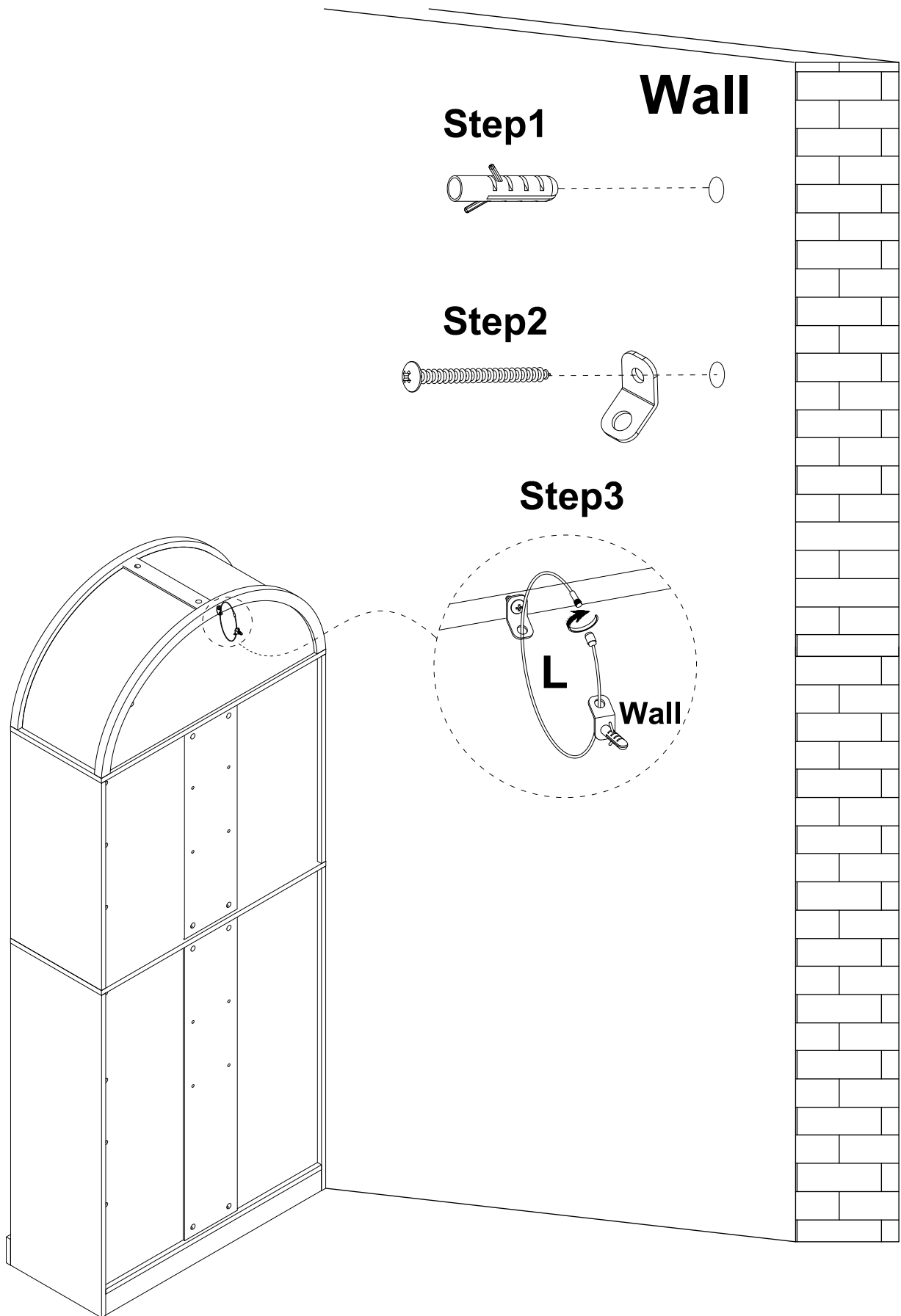
Step 2

35



L

1 pc





Thank you for your support !

