

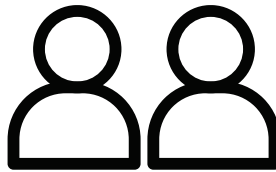
# ASSEMBLY INSTRUCTION

# HAVEN QUEEN BED

Please carefully review these instructions and retain them for future reference. Consult the parts inventory for assistance and verify that you have all components before beginning assembly. When assembling, place all parts on a soft, clean, and flat surface, such as a carpet, to avoid scratching. Store all hardware parts out of the reach of children.



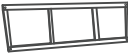











DO NOT USE POWER TOOLS, AS THIS COULD LEAD TO BOLTS BEING STRIPPED OR OVER-TIGHTENED.






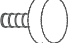
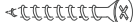








USE 2 PEOPLE FOR INSTALLATION



REQUIRED TOOL NOT INCLUDED

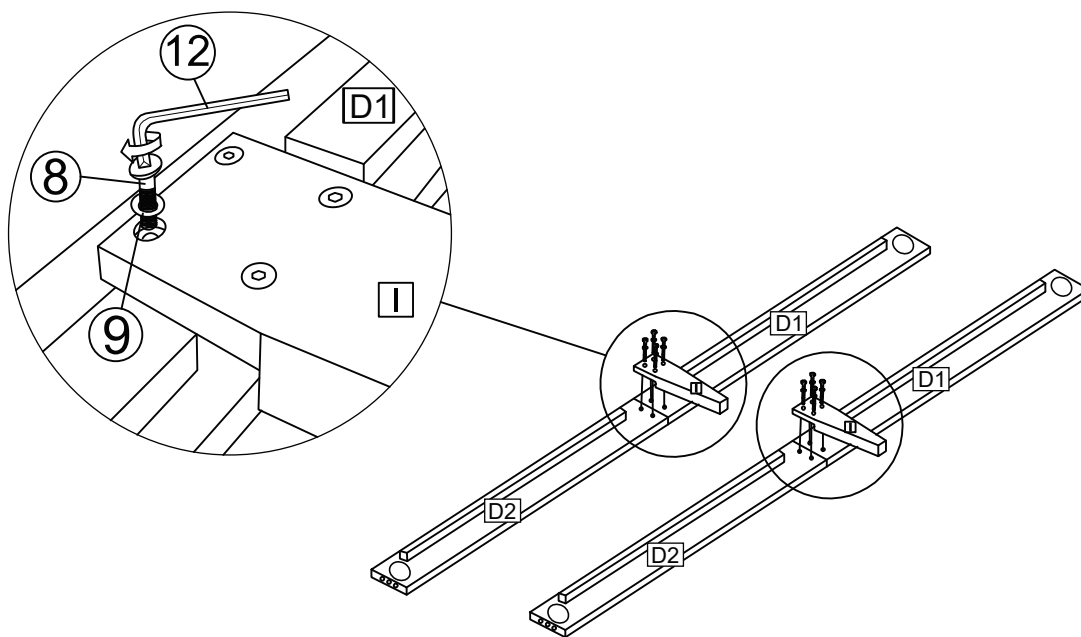
NO	PART LIST	QTY
A	HEADBOARD 	1
B1	HEADBOARD LEG - LEFT 	1
B2	HEADBOARD LEG - RIGHT 	1
C	CENTER LONG SUPPORT 	2
D1	SIDE RAIL 	2
D2	SIDE RAIL 	2
E	FOOTBOARD RAIL 	1
F	FOOTBOARD LEG 	2
G	SUPPORT LEG 	4
H	SLAT 	2
I	SIDE RAIL SUPPORT 	2
J	HEADBOARD RAIL 	1

NO	HARDWARE LIST	QTY
1	JCBB M8x65 	6
2	BEND WASHER 	6
3	HEX NUT 	6
4	WOOD DOWEL 	18
5	JCBC M6x60 	4
6	ADJUSTER 	4
7	CSK SCREW 	8
8	JCBC M6x35 	8
9	SPRING WASHER 	8
10	JCBC M6x100 	6
11	BARREL NUT 	6
12	ALLEN KEY M4 	1
13	SPANNER M8 	1

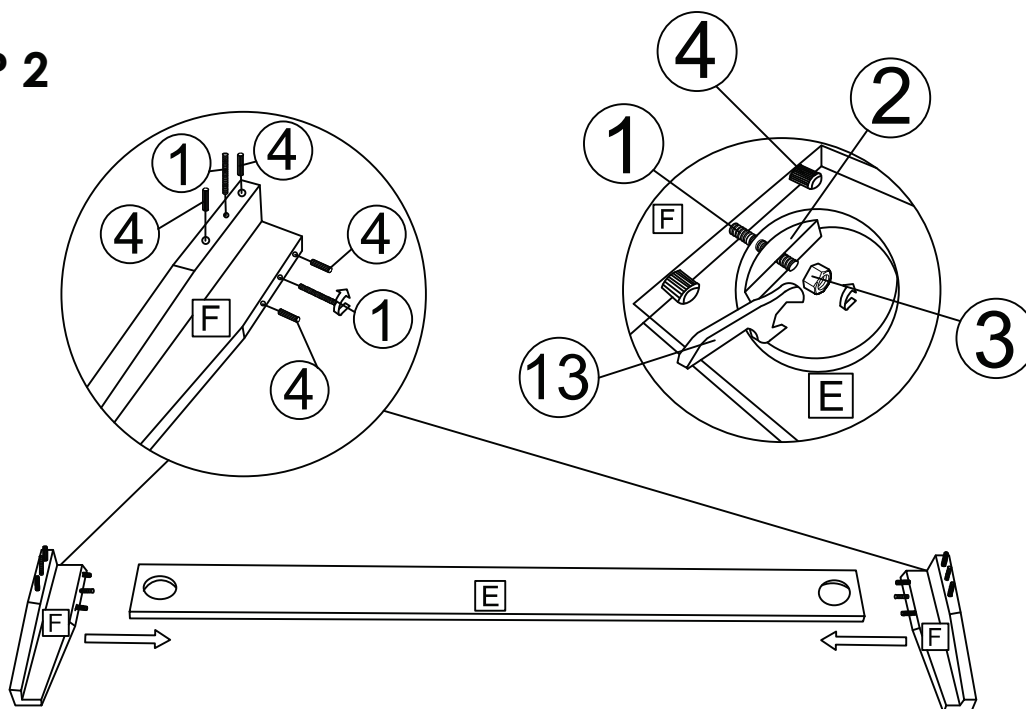
# ASSEMBLY INSTRUCTION

# HAVEN QUEEN BED

## STEP 1



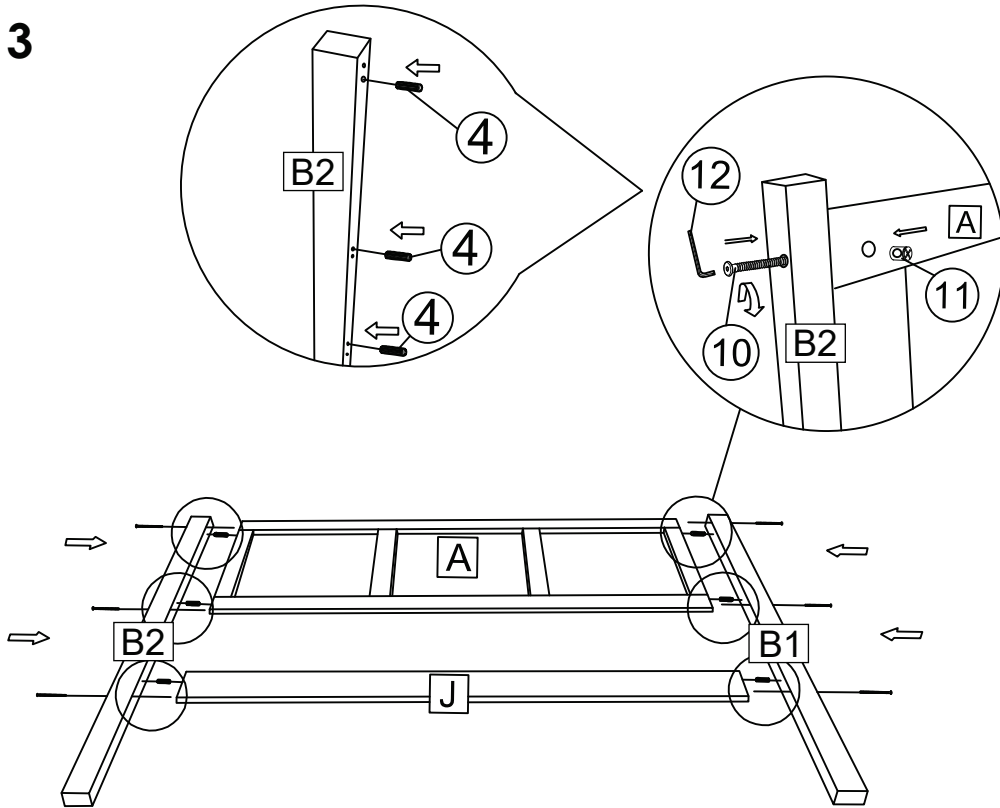
## STEP 2



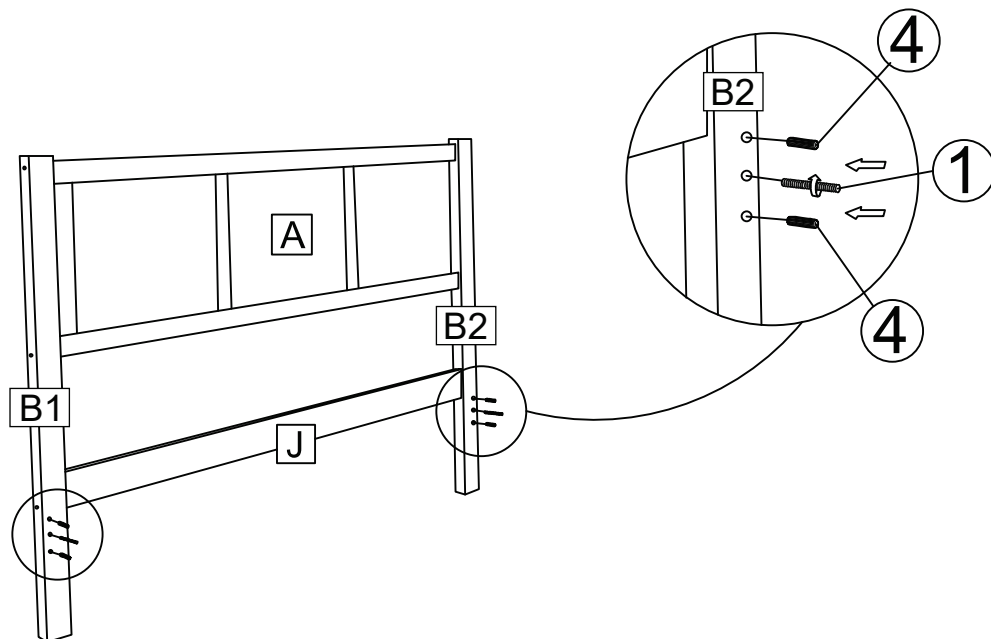
# ASSEMBLY INSTRUCTION

# HAVEN QUEEN BED

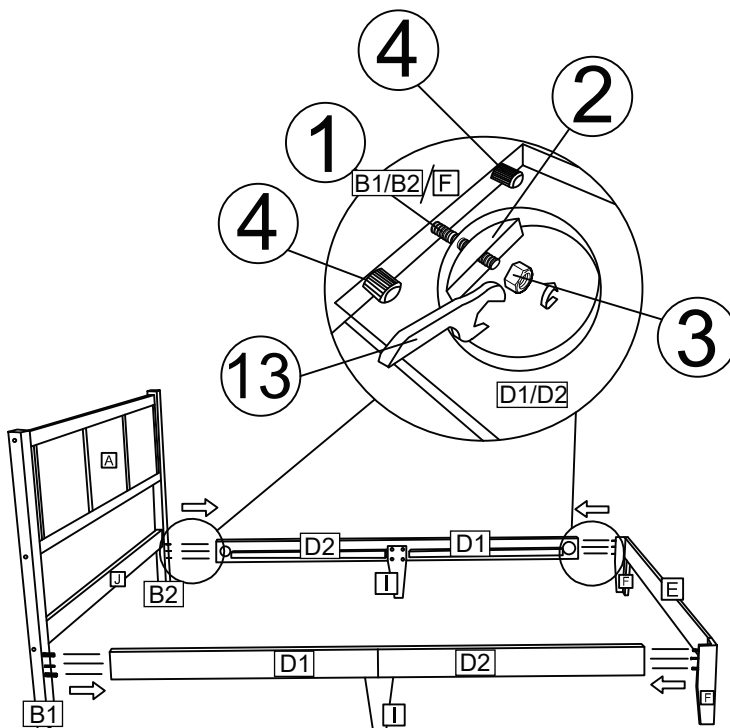
## STEP 3



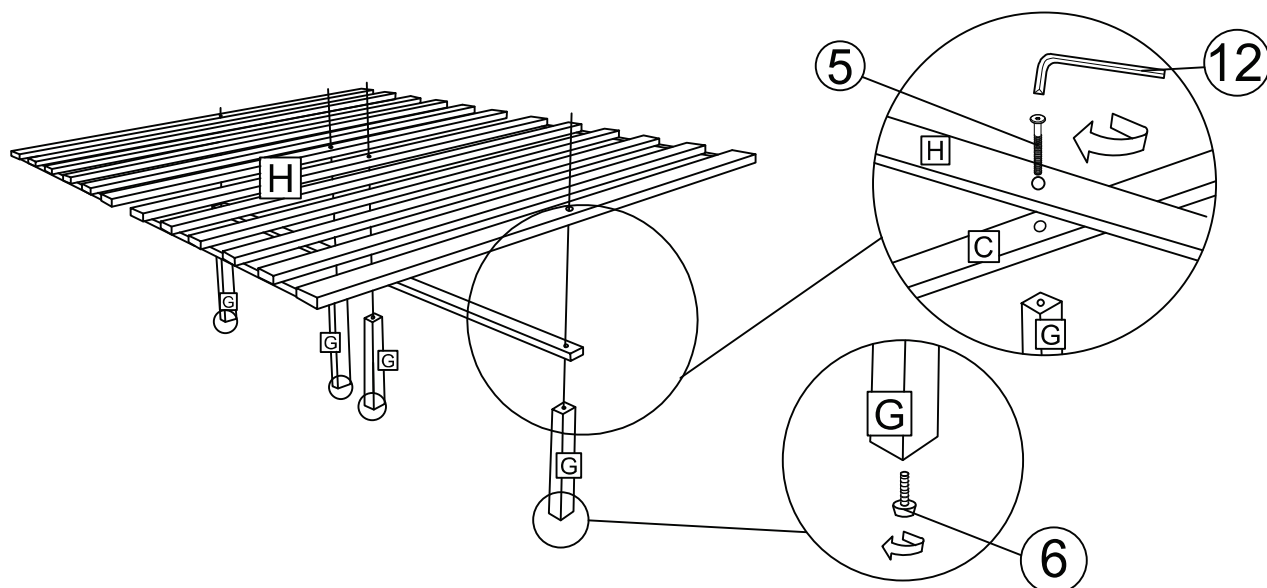
## STEP 4



## STEP 5



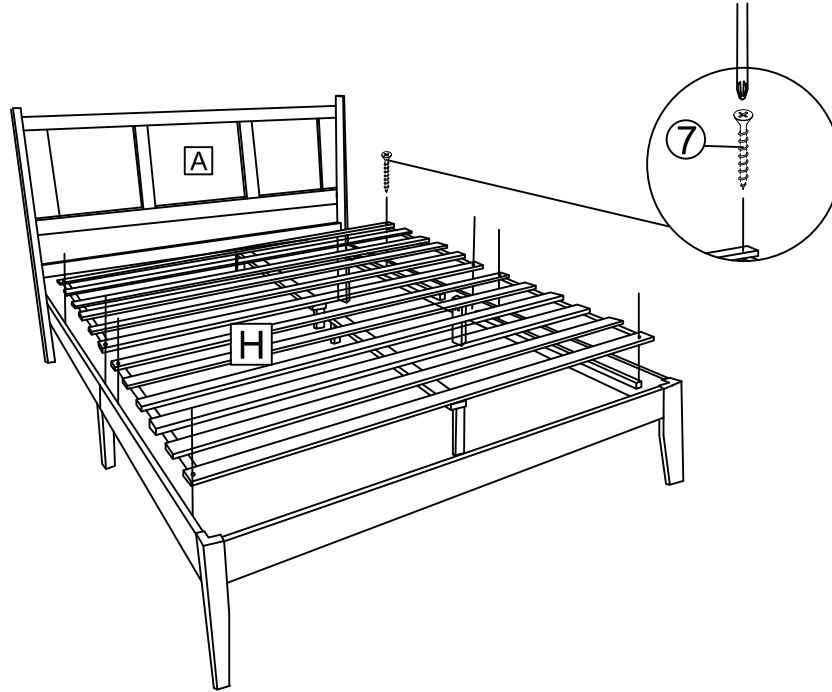
## STEP 6



# ASSEMBLY INSTRUCTION

# HAVEN QUEEN BED

## STEP 7



## STEP 8



COMPLETED ASSEMBLY