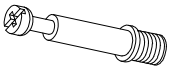
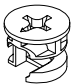


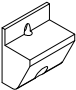
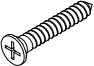
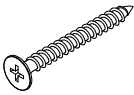
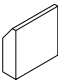




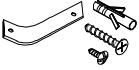

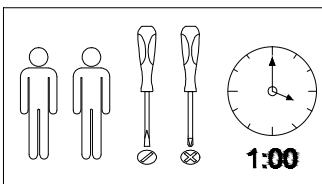


PLEASE READ ALL INSTRUCTIONS BEFORE ASSEMBLY.

Unpack all parts from Styrofoam and bubble wrap inside the carton to ensure there are no missing or damaged parts. If any parts are missing or damaged, do not attempt to assemble or use the product.

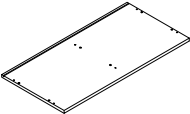
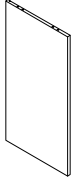
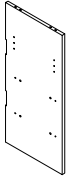

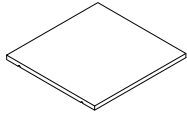
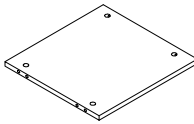
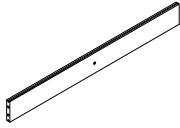
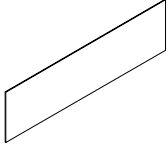
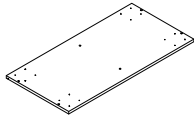
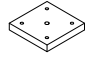

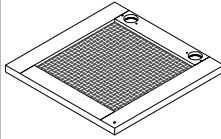
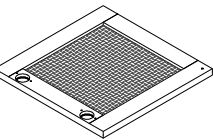
Hardware:

Ⓐ x30	Ⓑ x30	Ⓒ x28	Ⓓ x8	Ⓔ x12
				
Ⓕ x12	Ⓖ x16	Ⓗ x4	Ⓙ x4	Ⓚ x8
				
Ⓛ x48	Ⓜ x8	Ⓝ x2	Ⓞ x1	
				

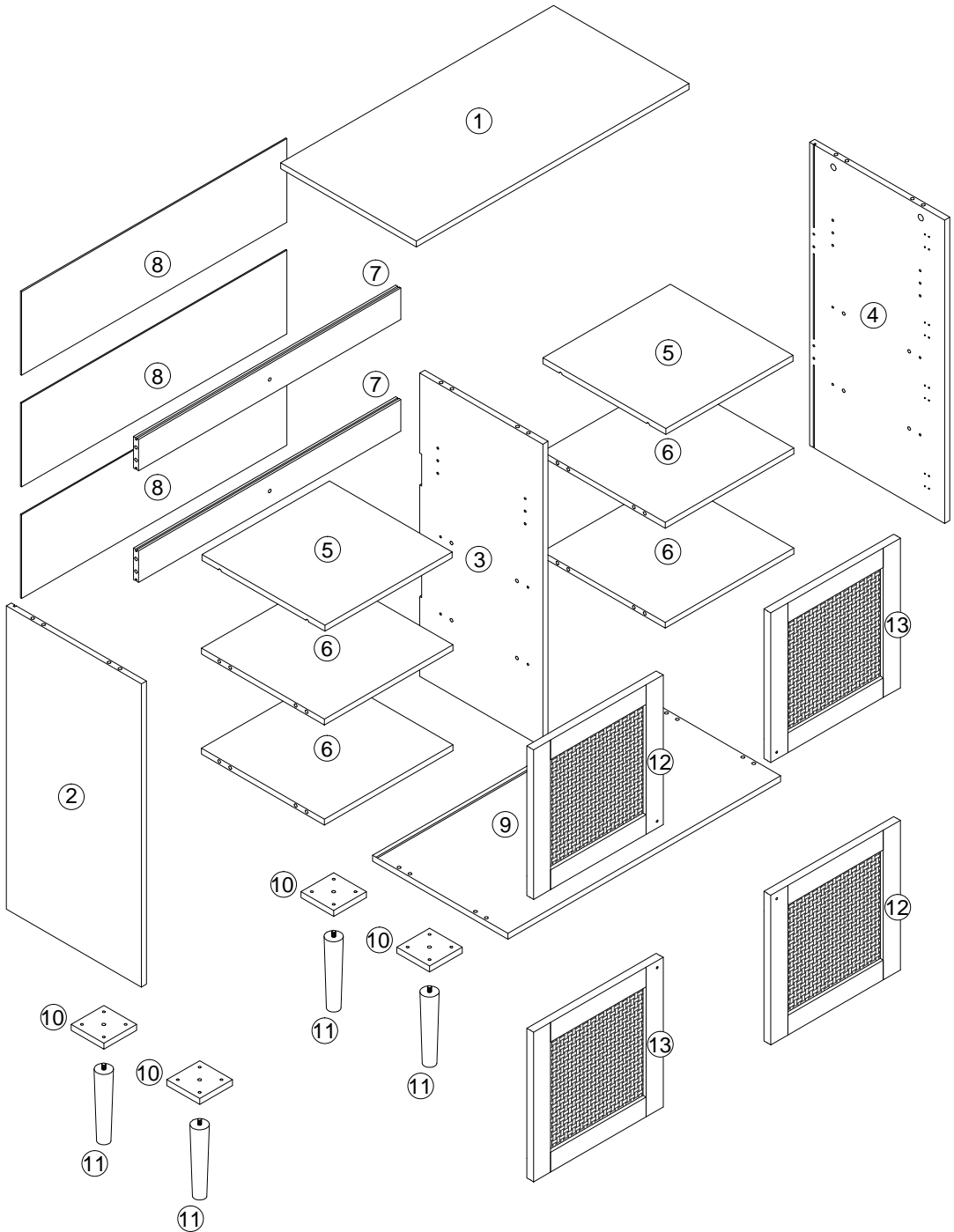


Tools required for assembly: Phillips screwdriver and Flathead Screwdriver (if using power tools, use with care)

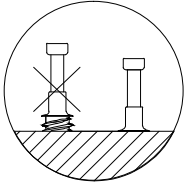
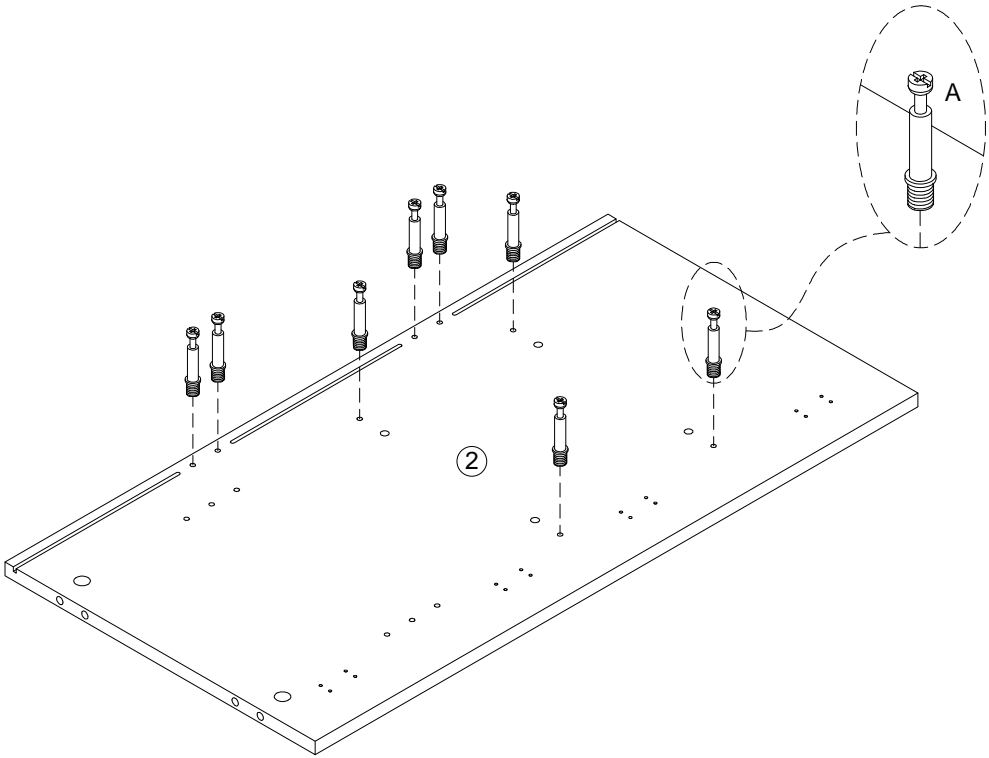
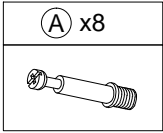
Panels:

① x1	② x1	③ x1	④ x1	⑤ x2
				
⑥ x4	⑦ x2	⑧ x3	⑨ x1	⑩ x4
				
⑪ x4	⑫ x2	⑬ x2		
				

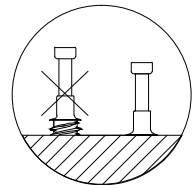
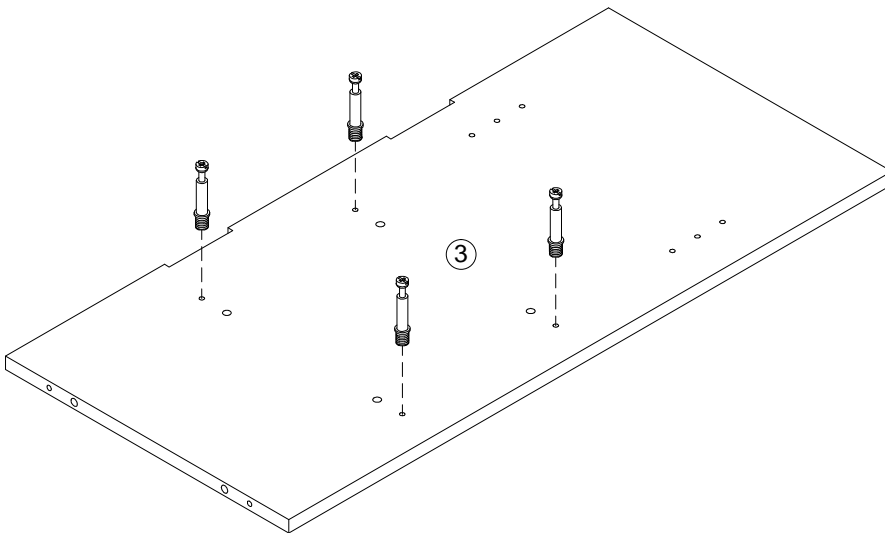
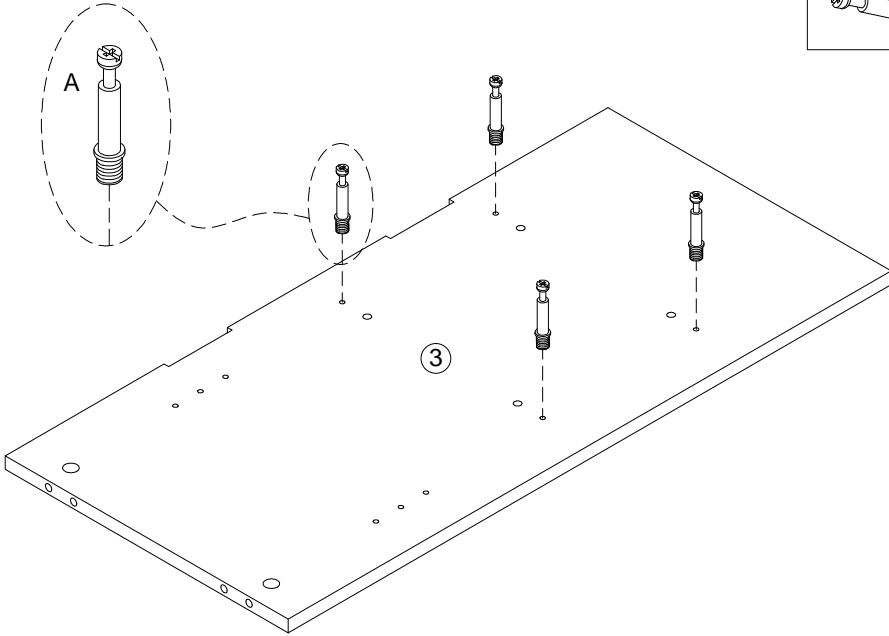
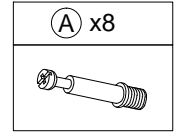
Panels:





Step 1

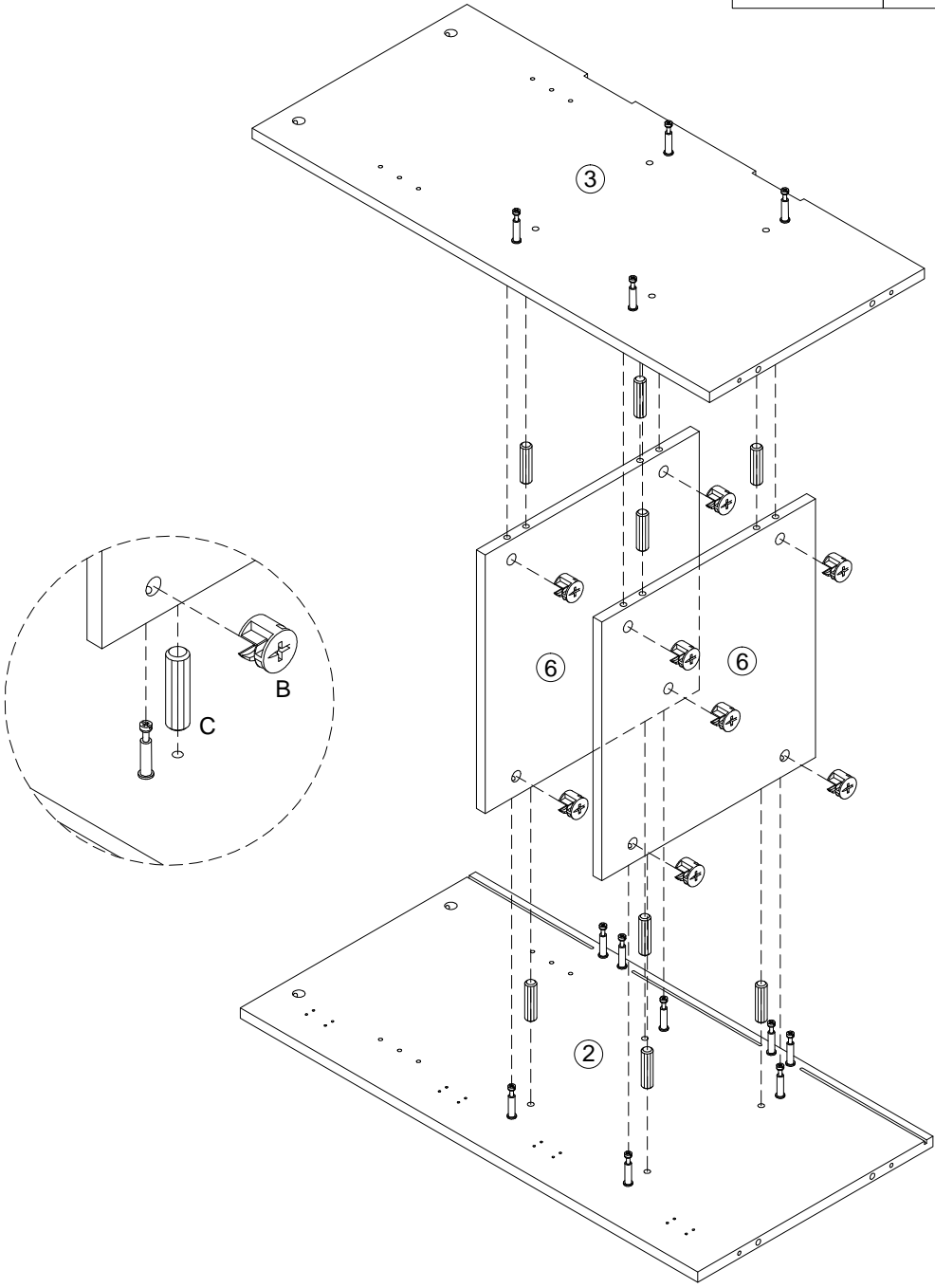


Step 2





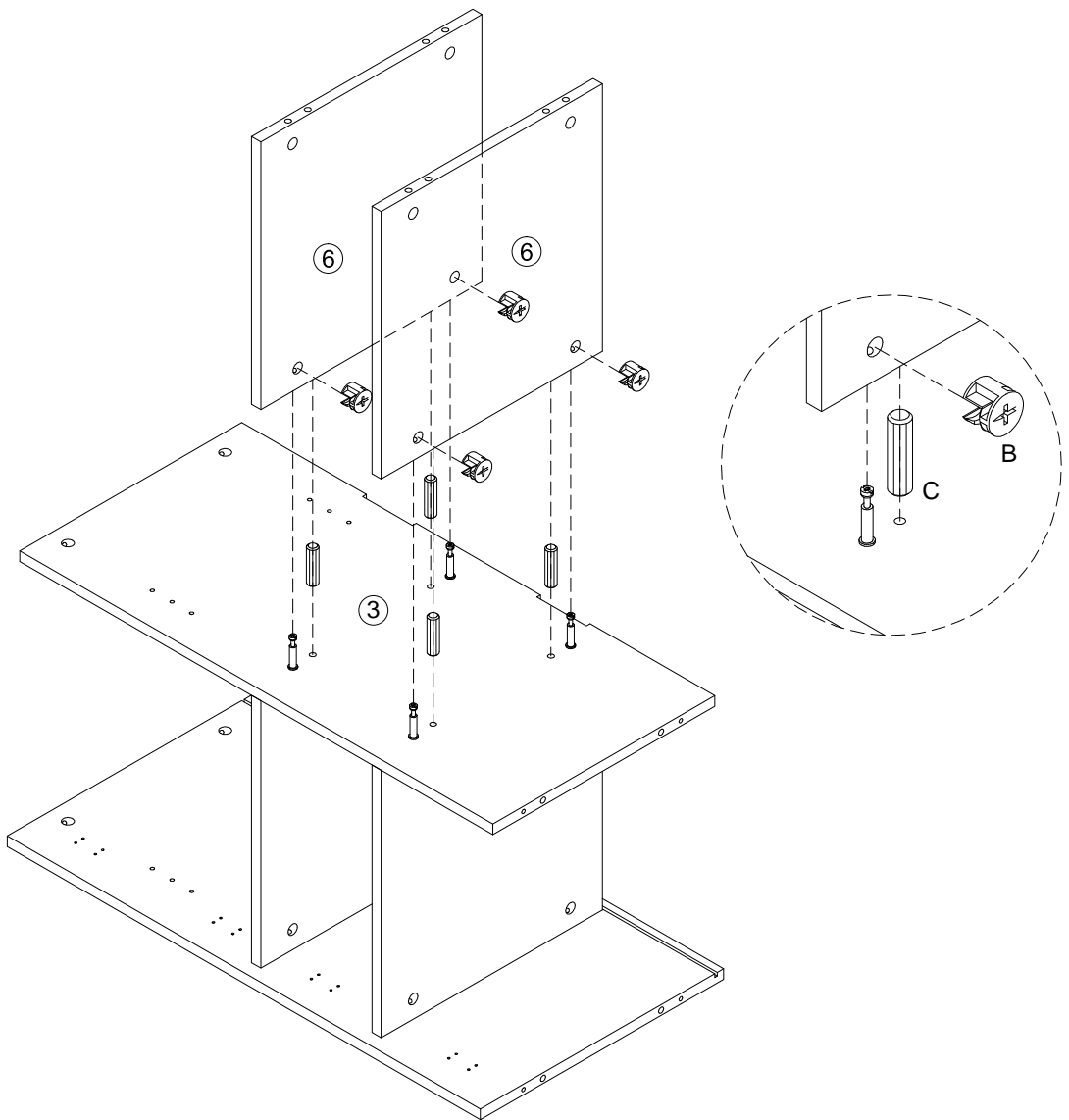
Step 2

B x8	C x8
	

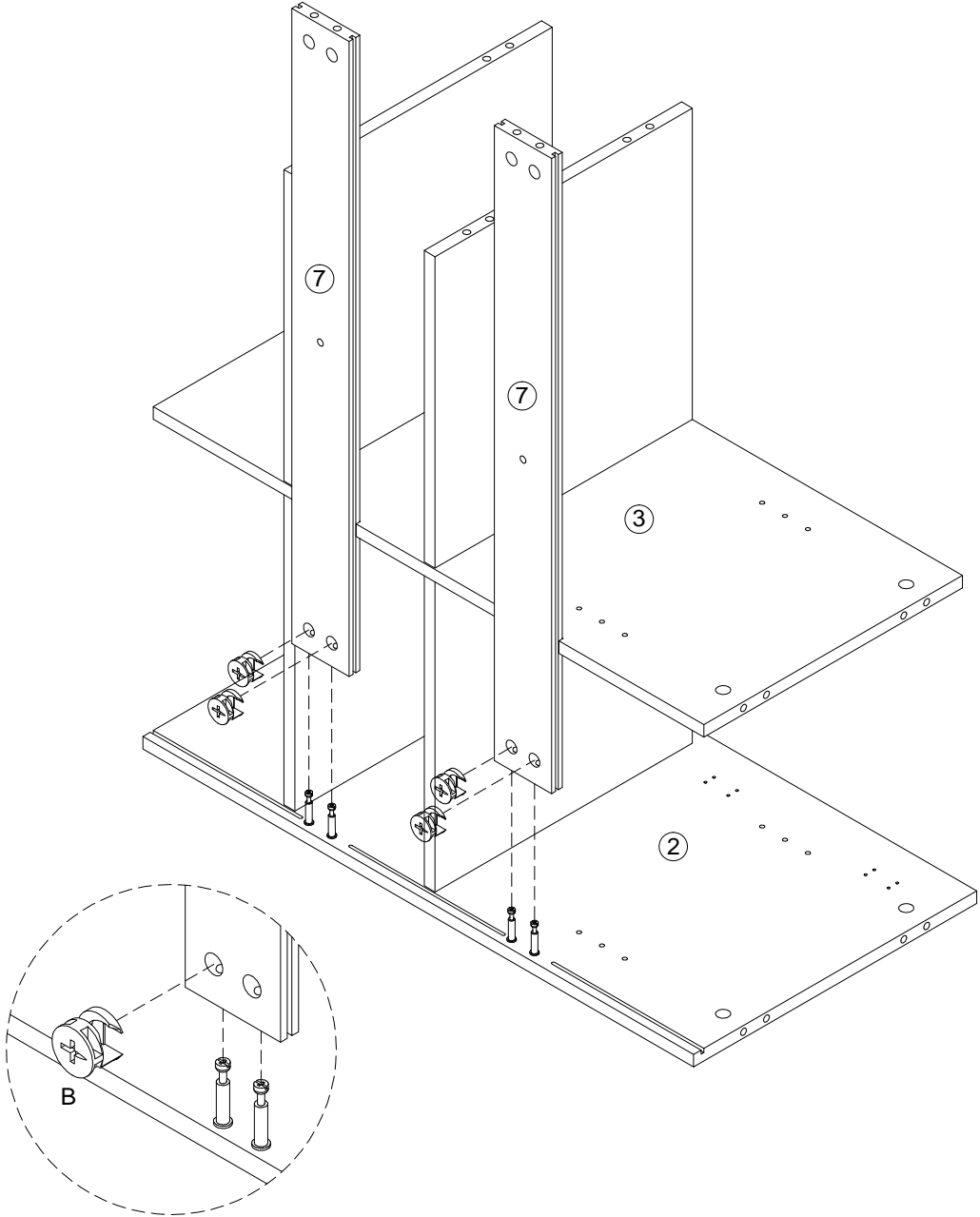
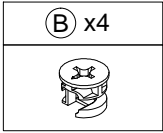


Step 4

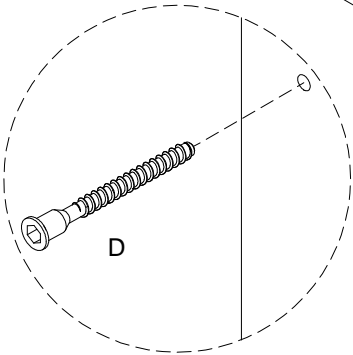
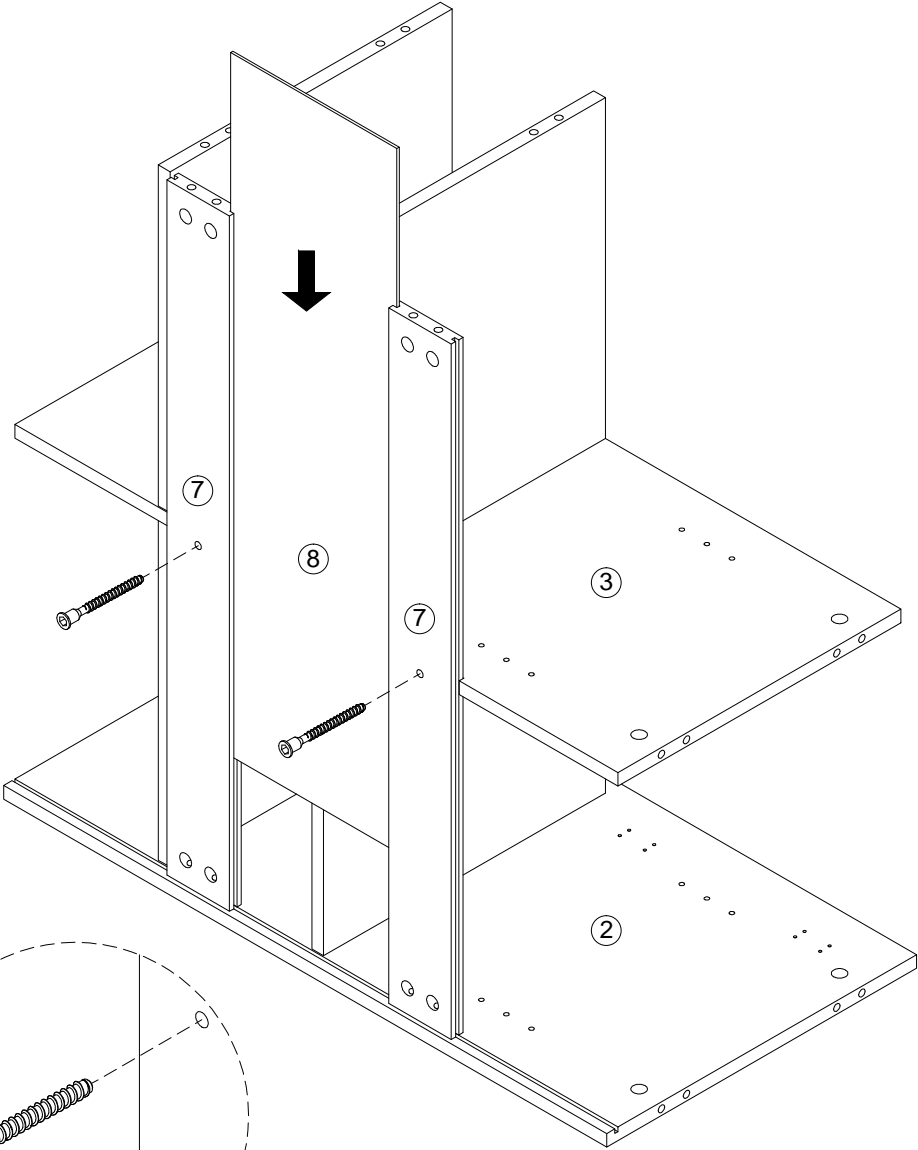
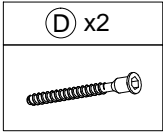
B x4	C x4
	



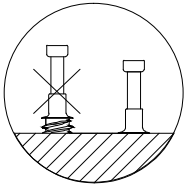
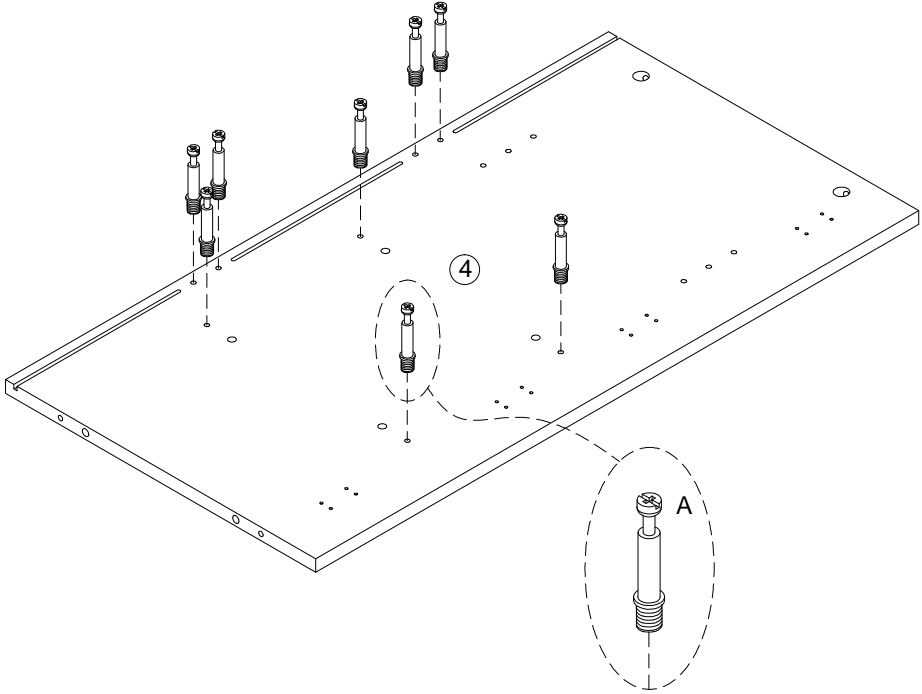
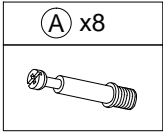
Step 5





Step 6

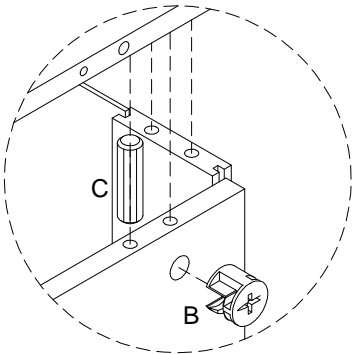
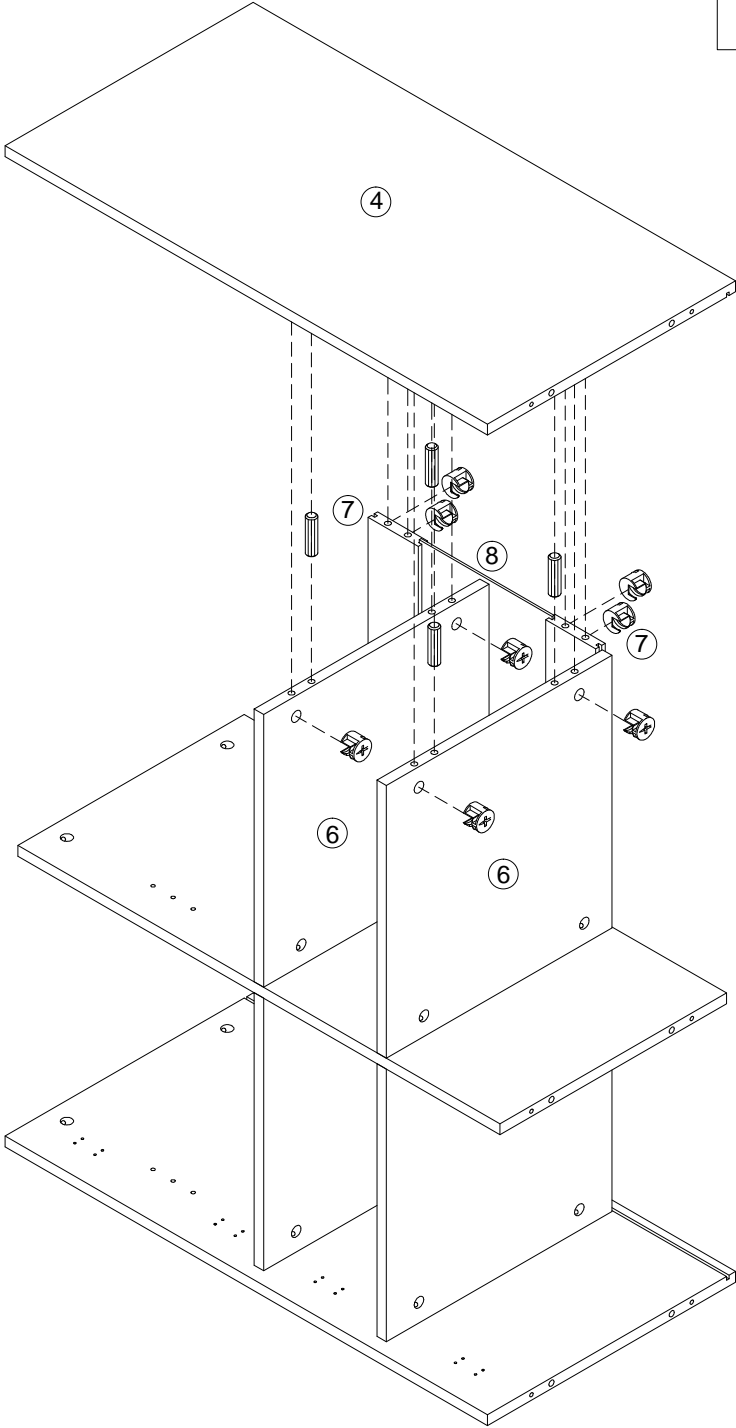


Step 7

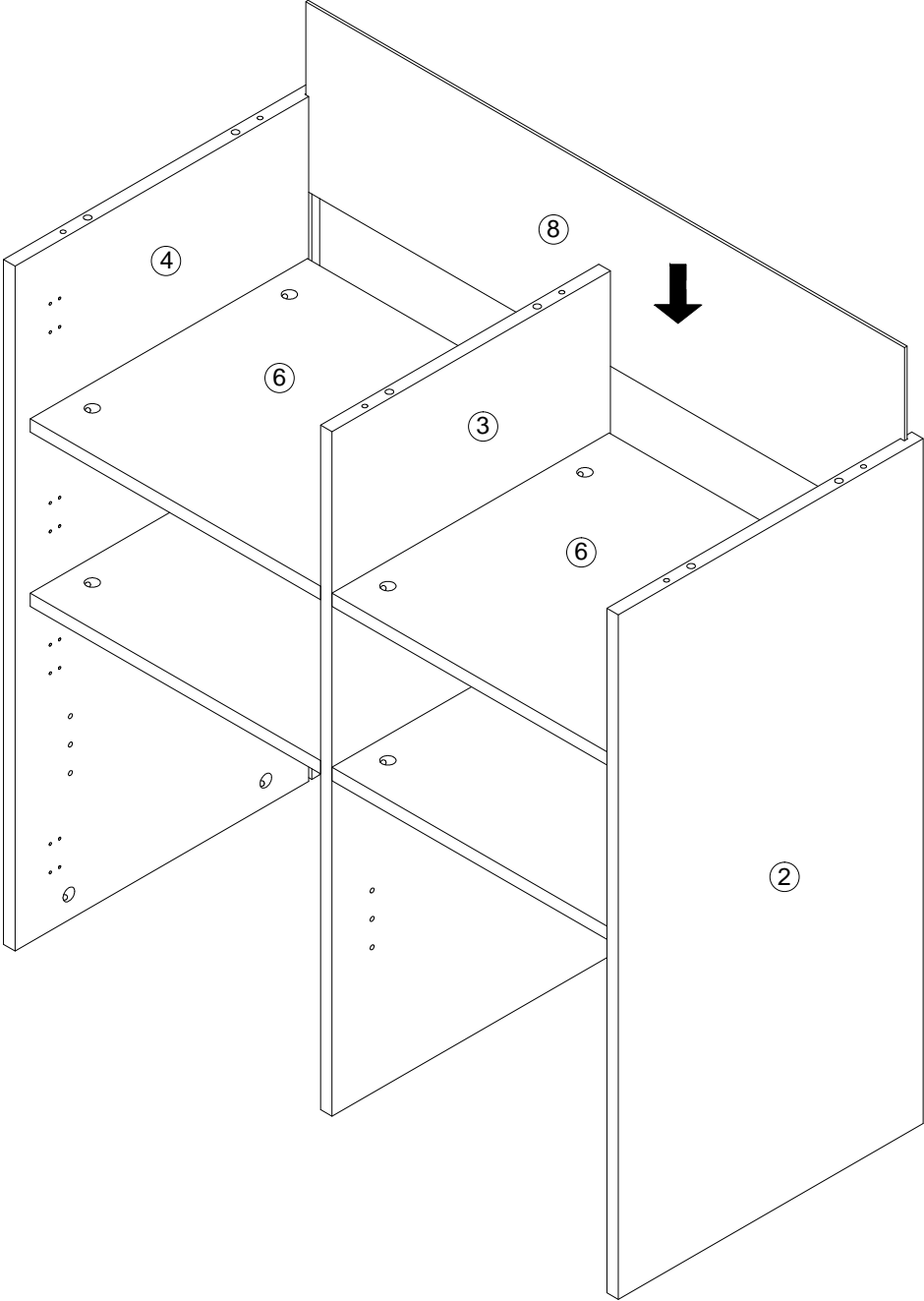


Step 8

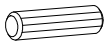

B x8	C x4
	

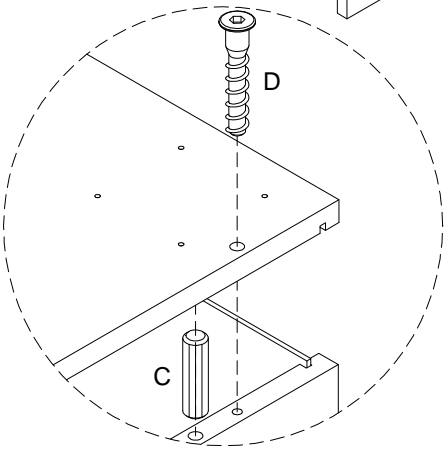
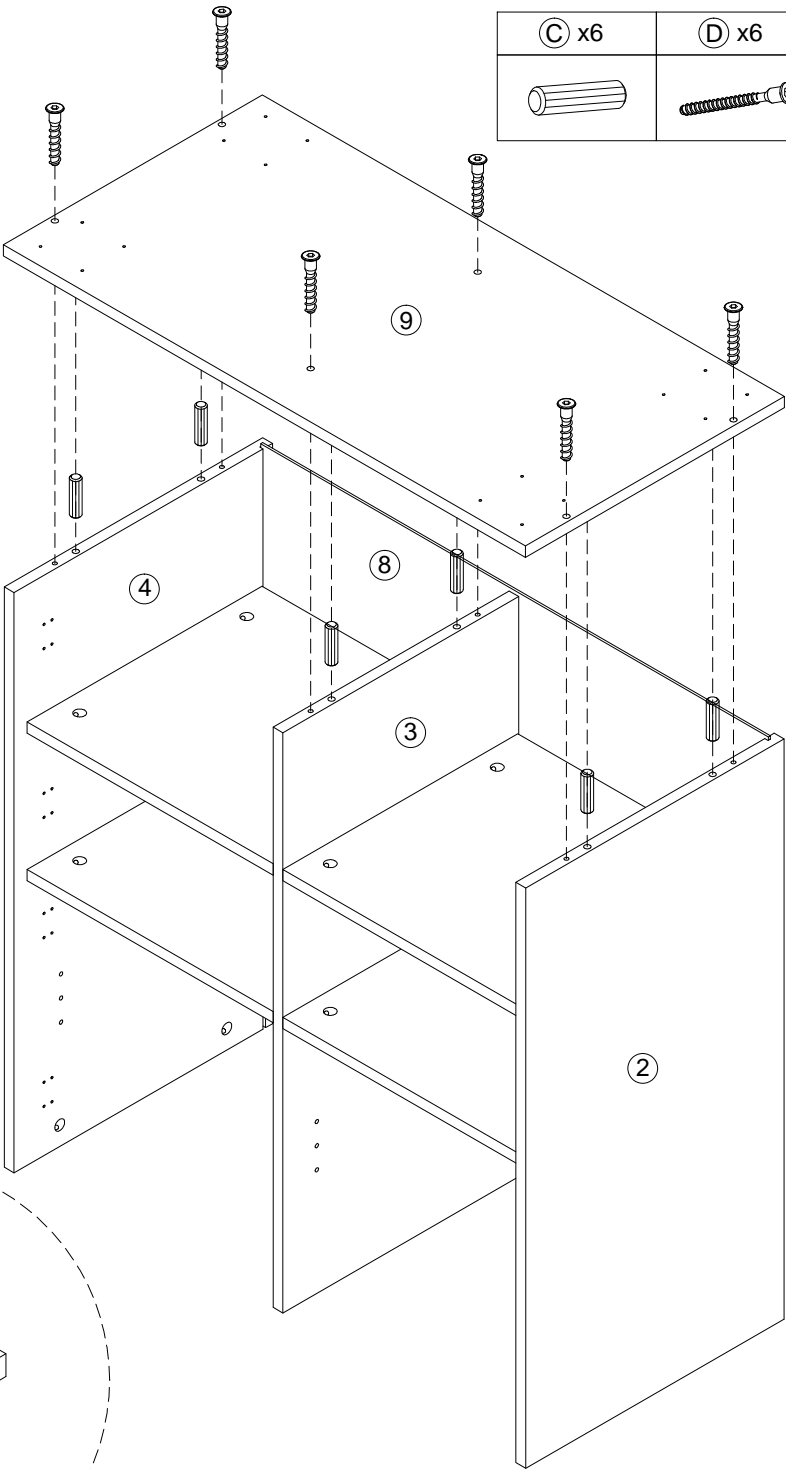


Step 9

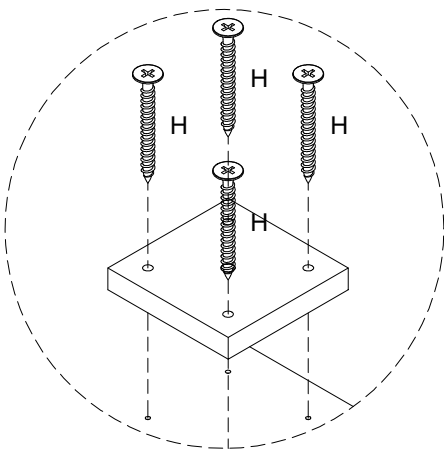
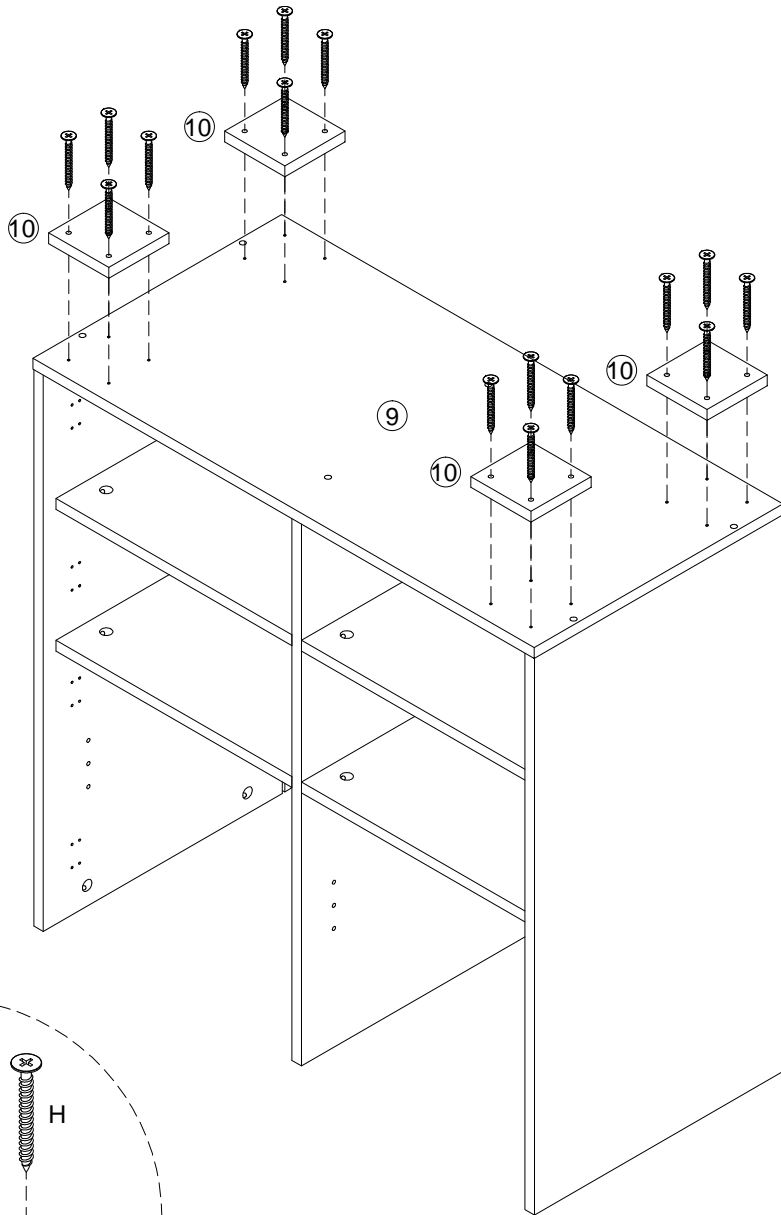
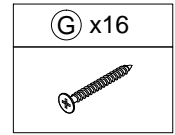


Step 10

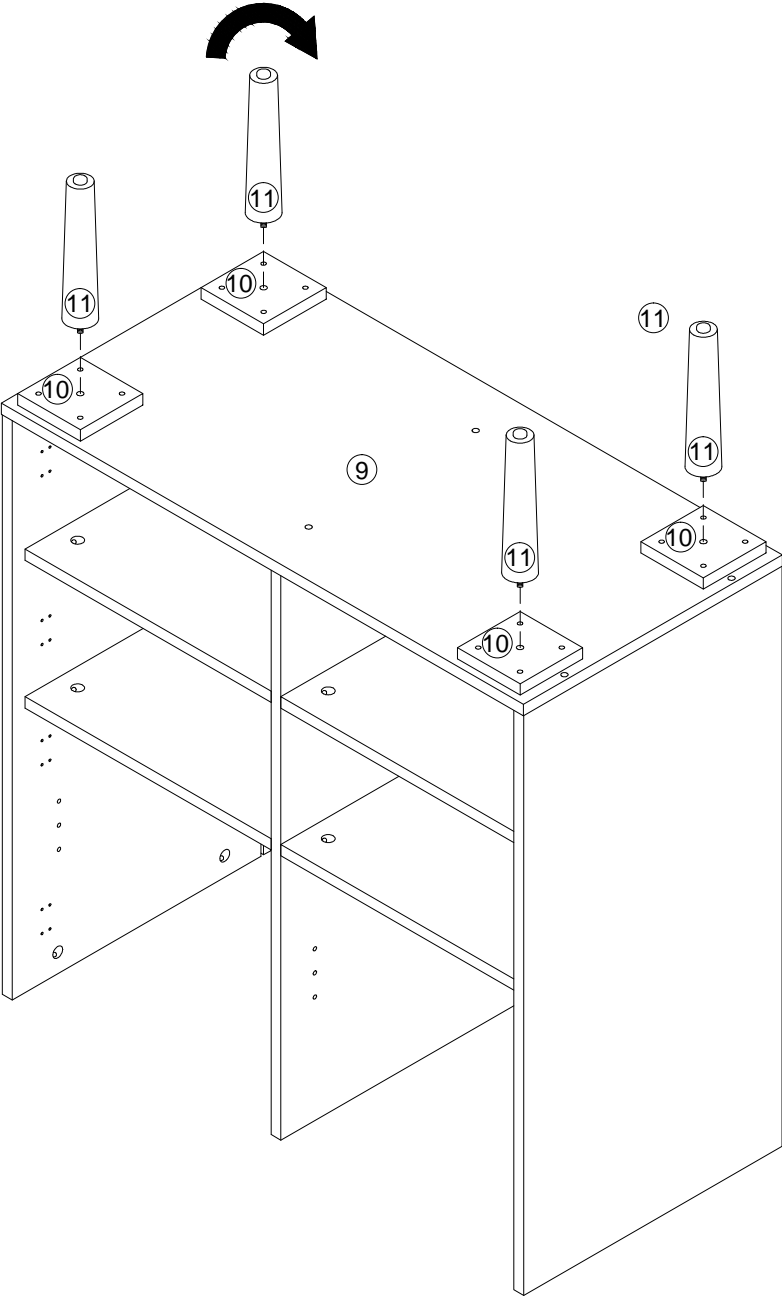
C x6	D x6
	



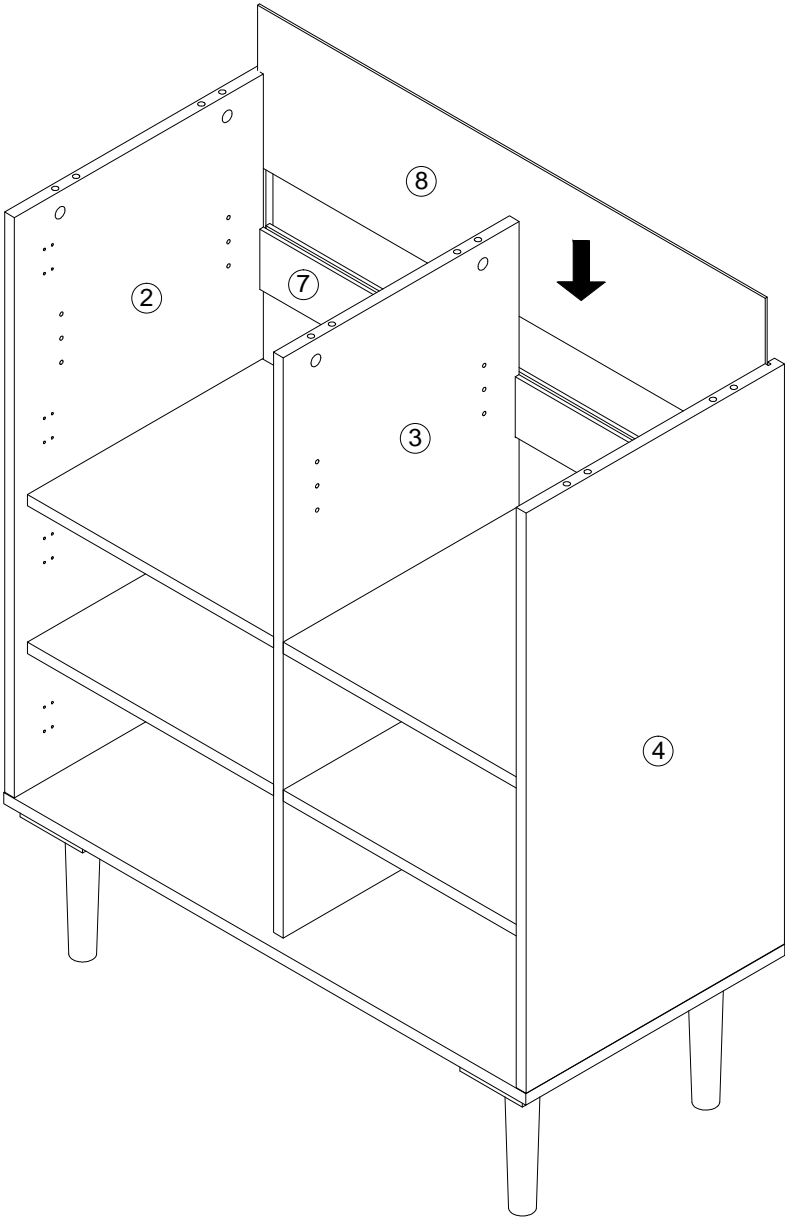
Step 11



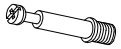
Step 12

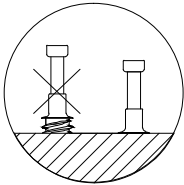
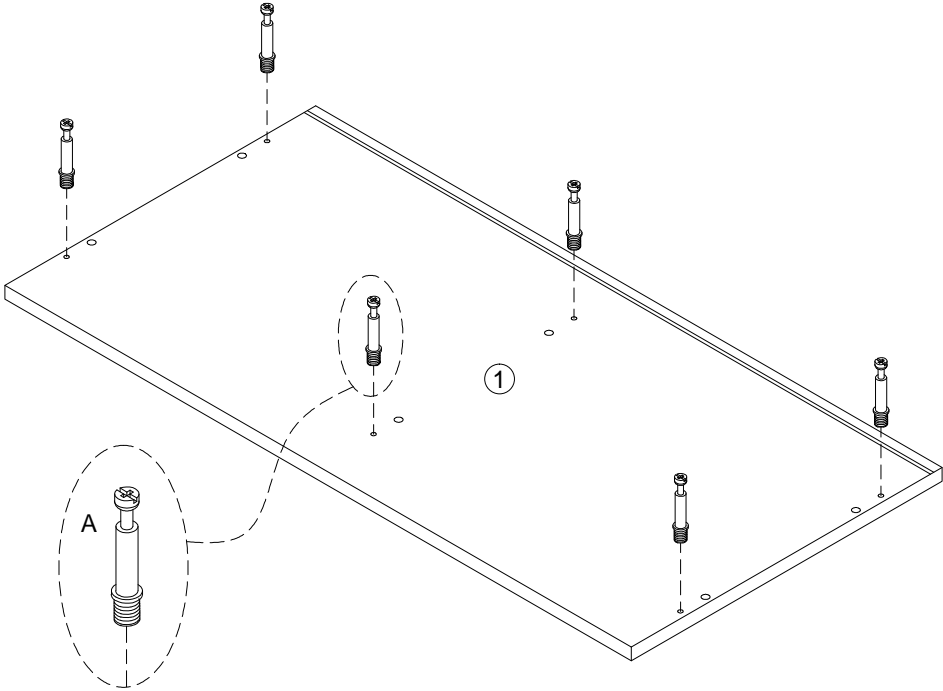


Step 13





Step 14

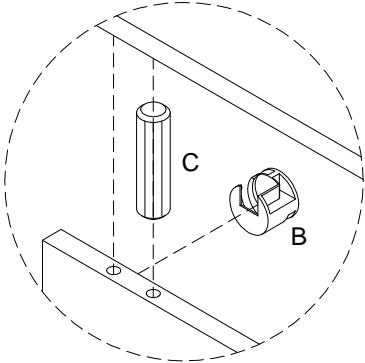
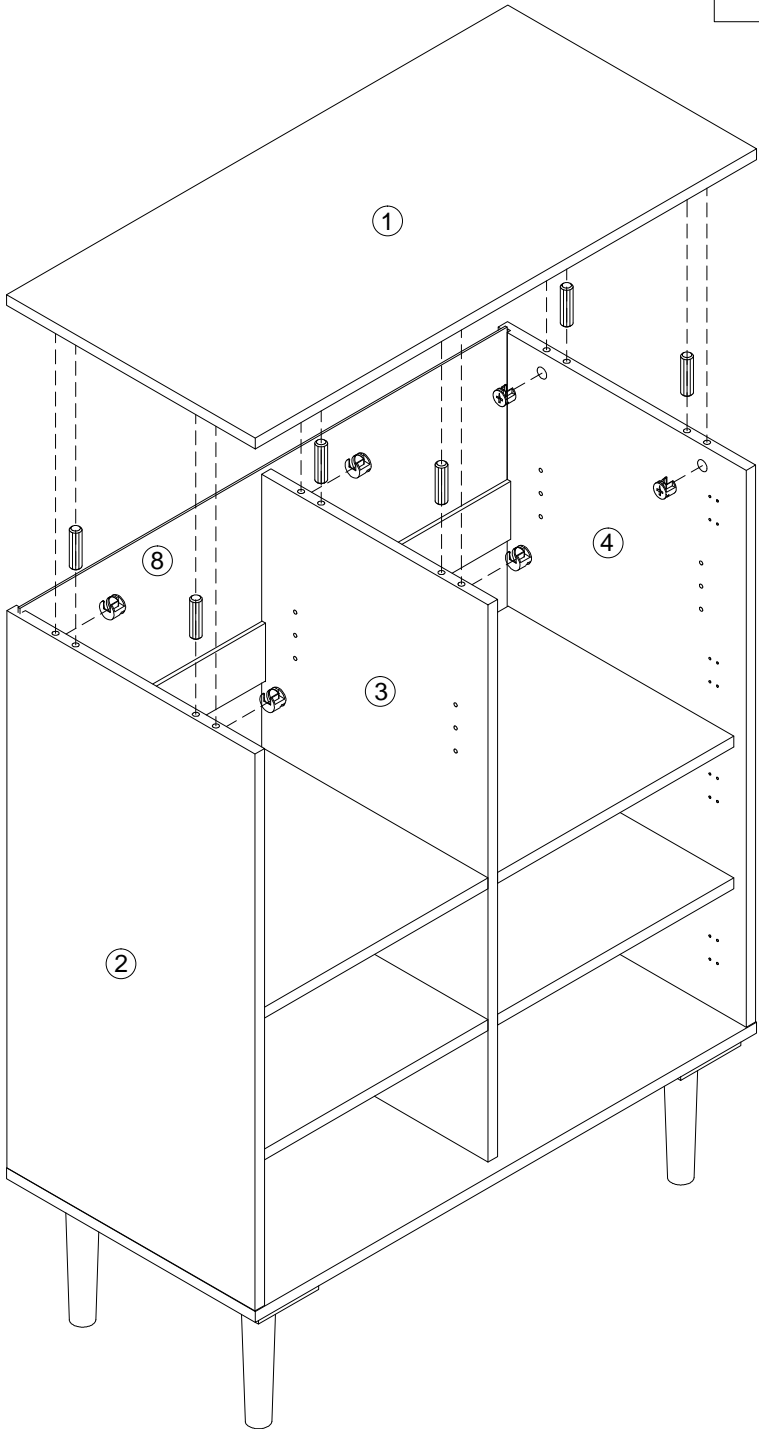
(A) x6




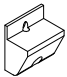

Step 15

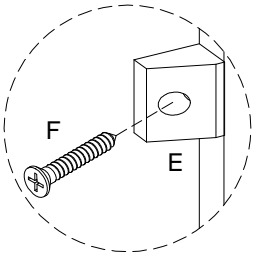
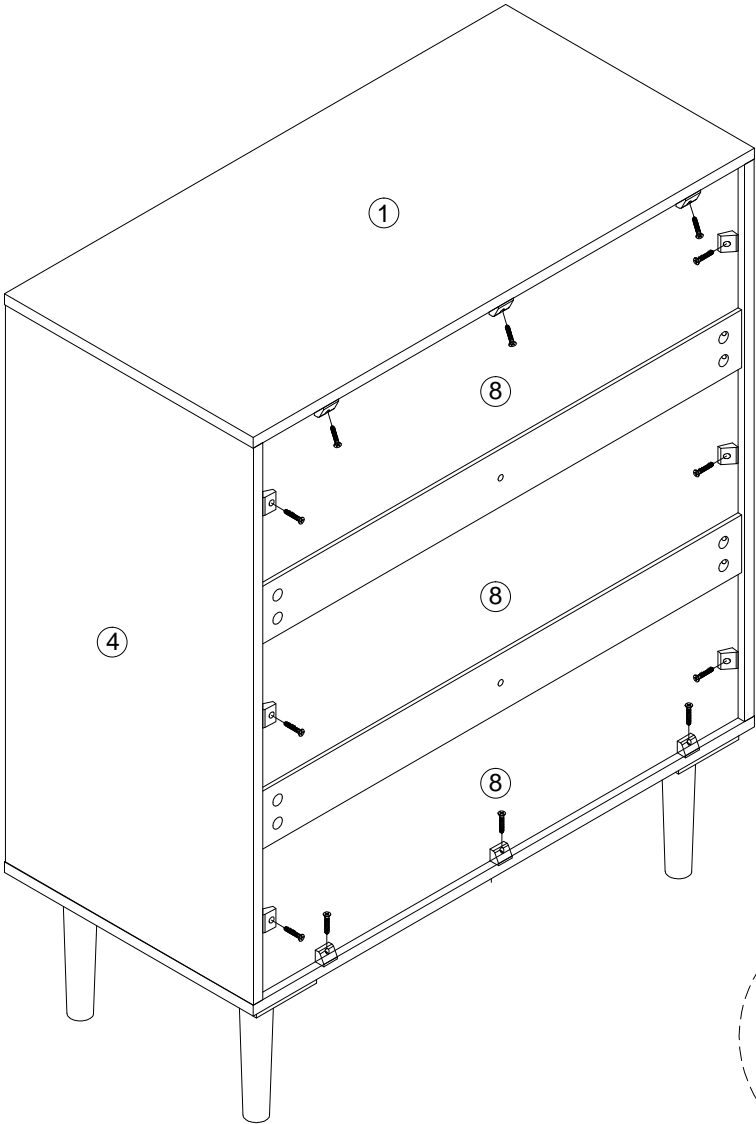
B x6	C x6
	

4

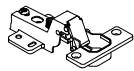



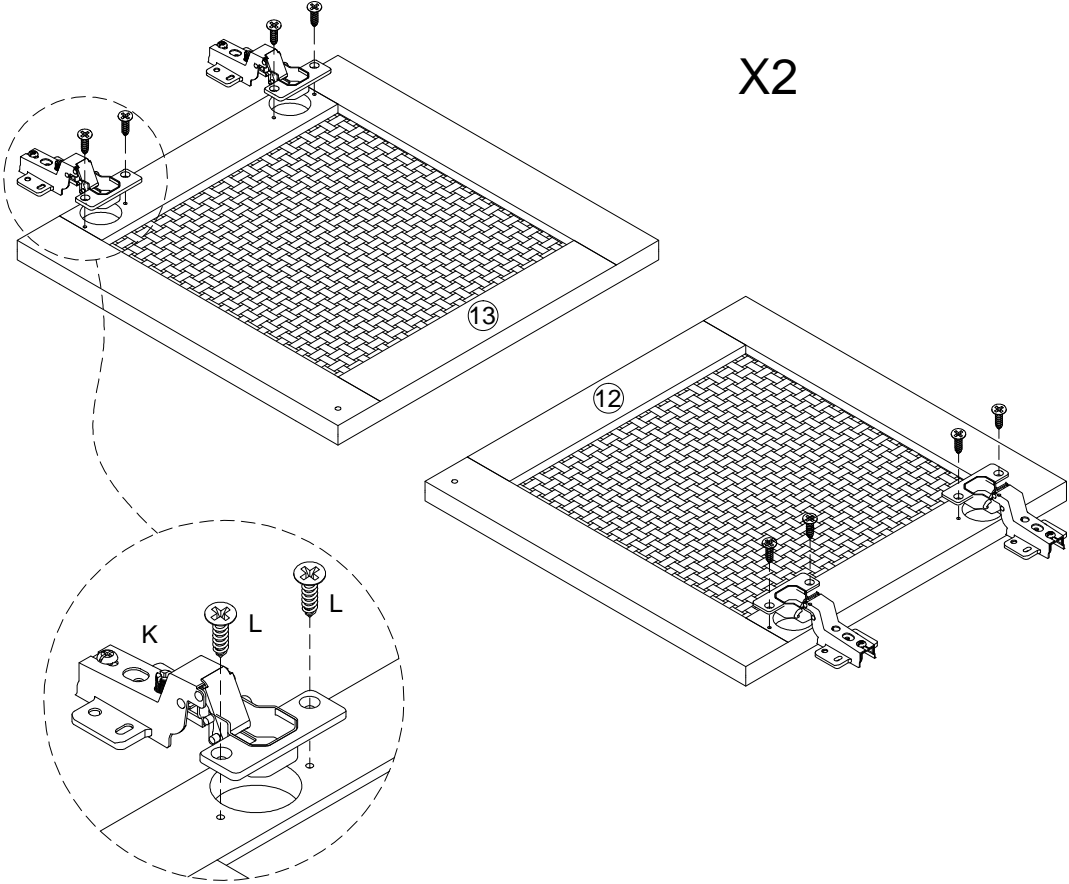
Step 16

Ⓔ x12	Ⓕ x12
	

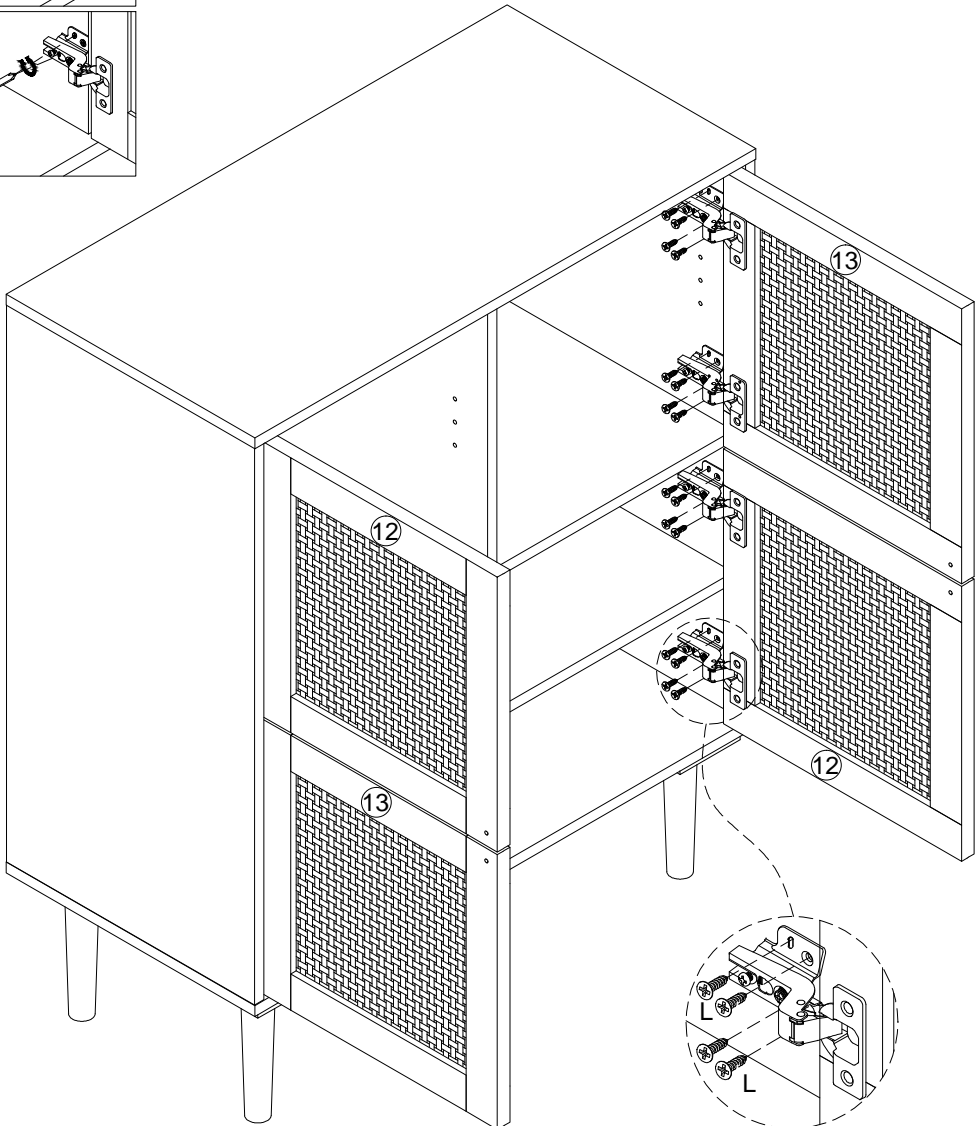
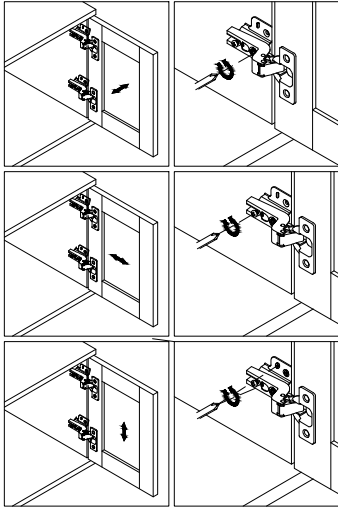
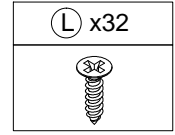


Step 17

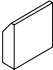

(K) x8	(L) x16
	

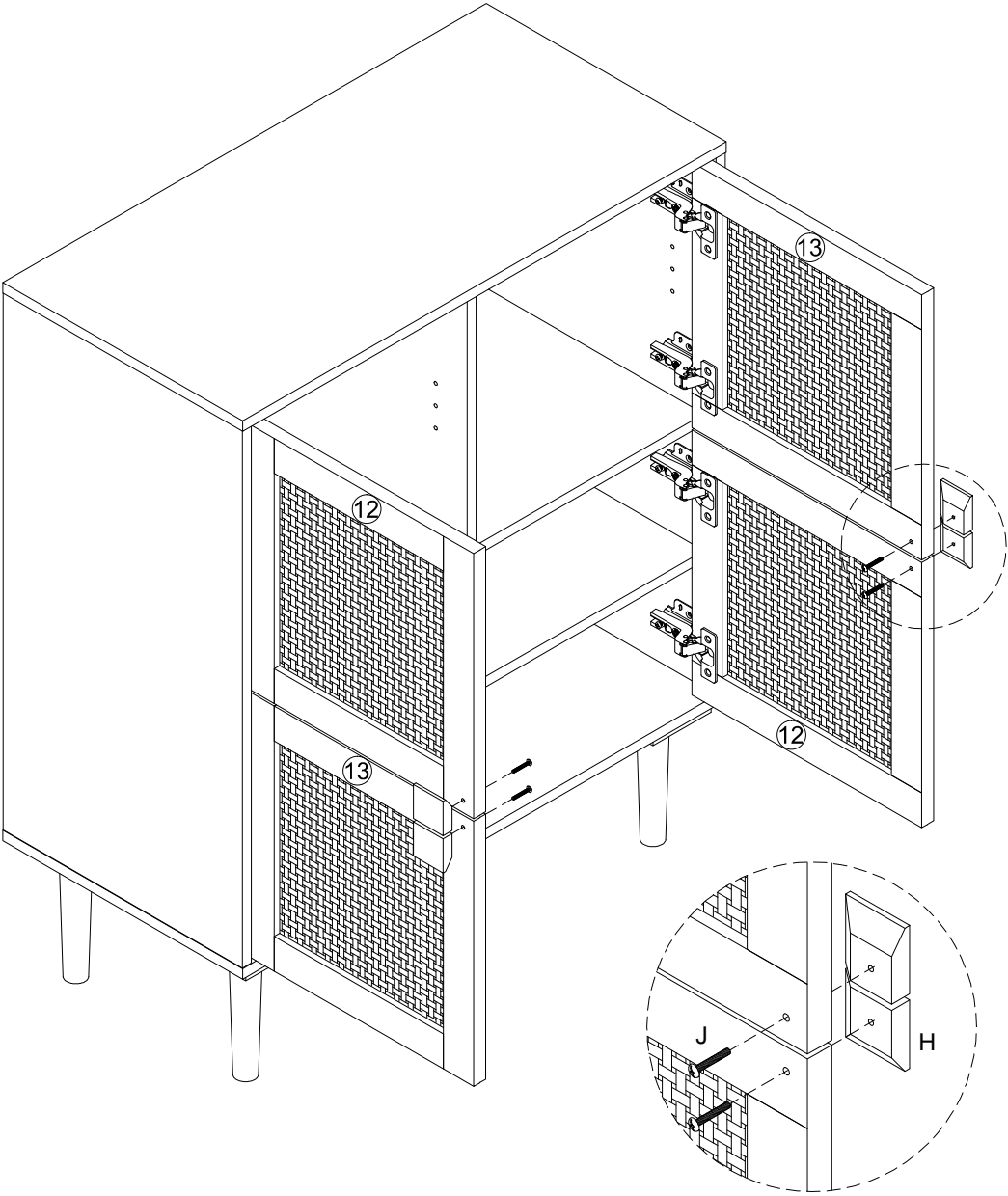


Step 18

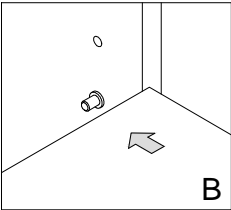
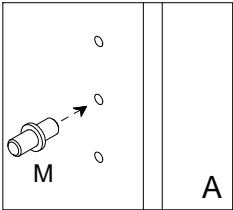
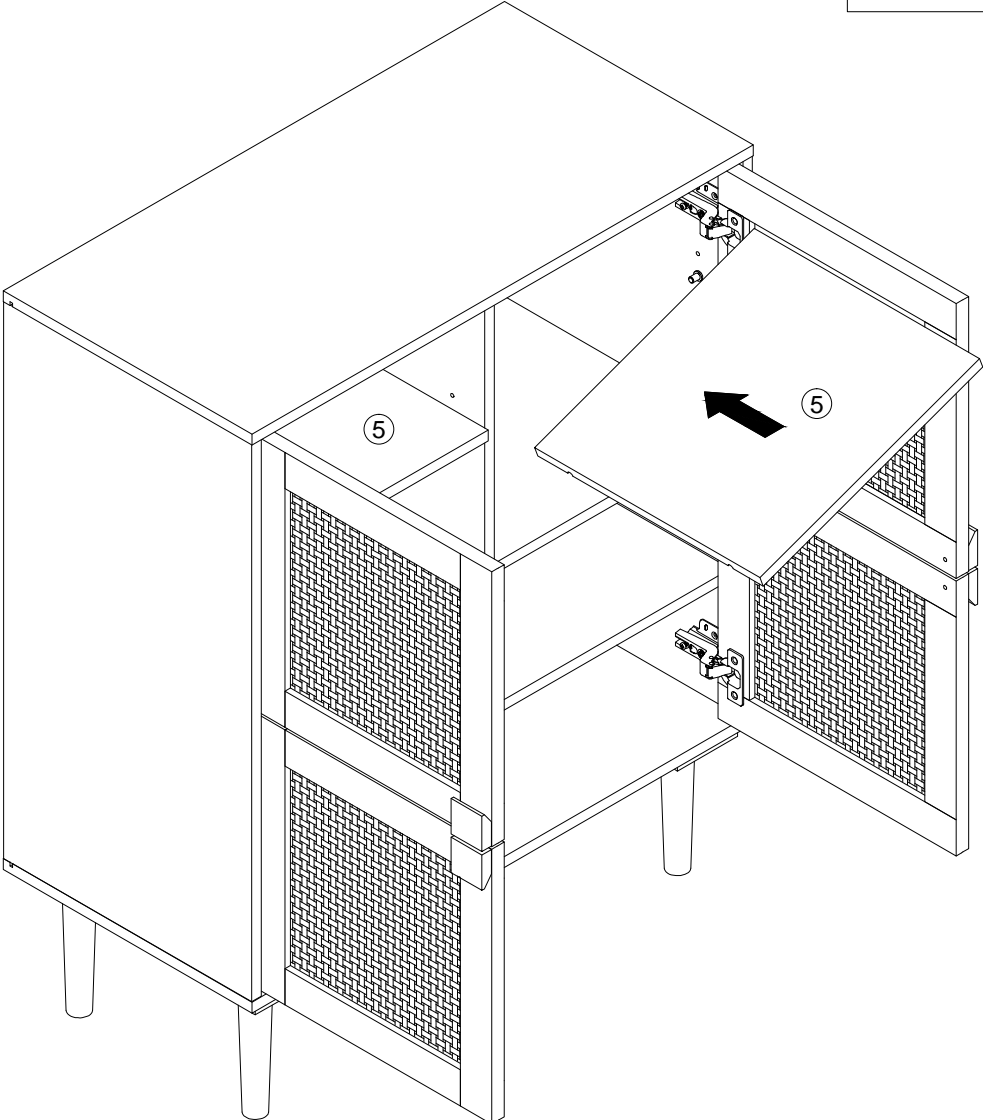
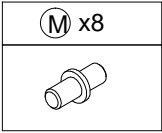


Step 19

(H) x4	(J) x4
	



Step 20



Step 21

