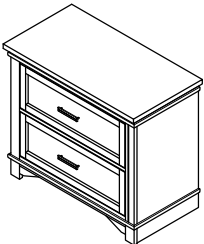
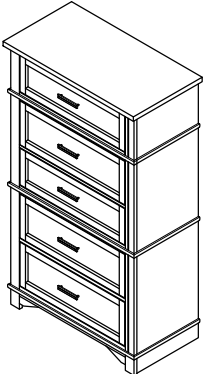
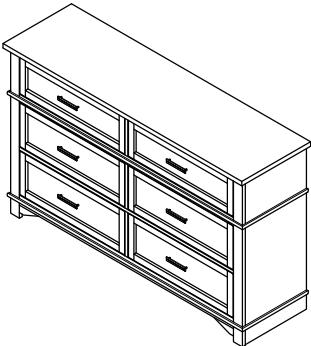


ASSEMBLY INSTRUCTIONS

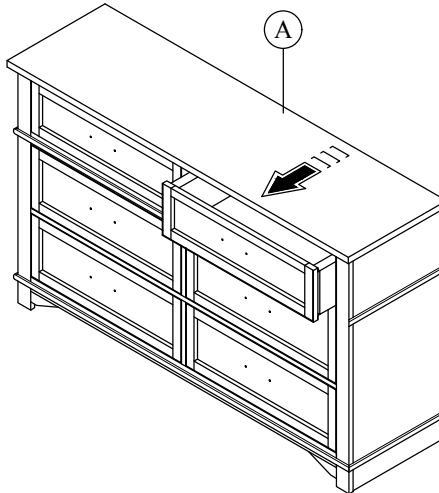
ASSEMBLY TIPS :

1. Remove hardware from box and sort by size.
2. Please check to see that all hardware and parts are present prior to start of assembly.
3. Please follow attached instructions in the same sequence as numbered to assure fast and easy assembly.

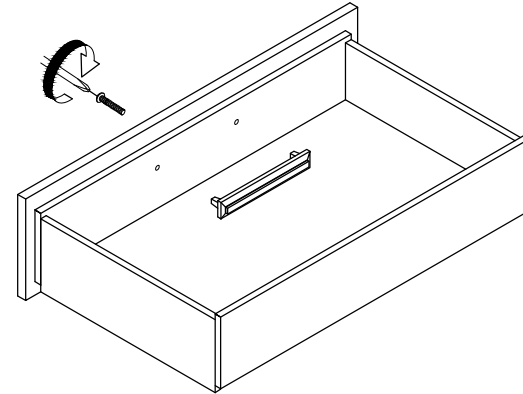
Component List

No	Descriptions	Qty
A	Night Stand (2 drawers) 	1
A	Chest (5 drawers) 	1
A	Dresser (8 drawers) 	1

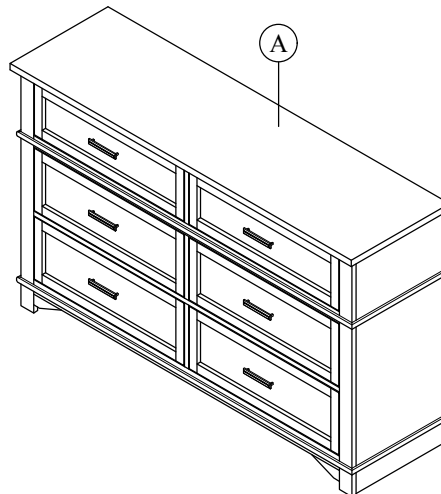
STEP 1: Pull out the **Drawer** of casegoods.



STEP 2: Use Screwdriver to remove the screws & handle.



STEP 4: Repeat the step 1 - 3 for the other drawers.



STEP 3: Position the handle in front of drawer panel and screw it tightly with the same screw.

