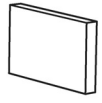


ASSEMBLY INSTRUCTION

PARTS AND HARDWARE



Armrest X2



Body X2







Pillow X2



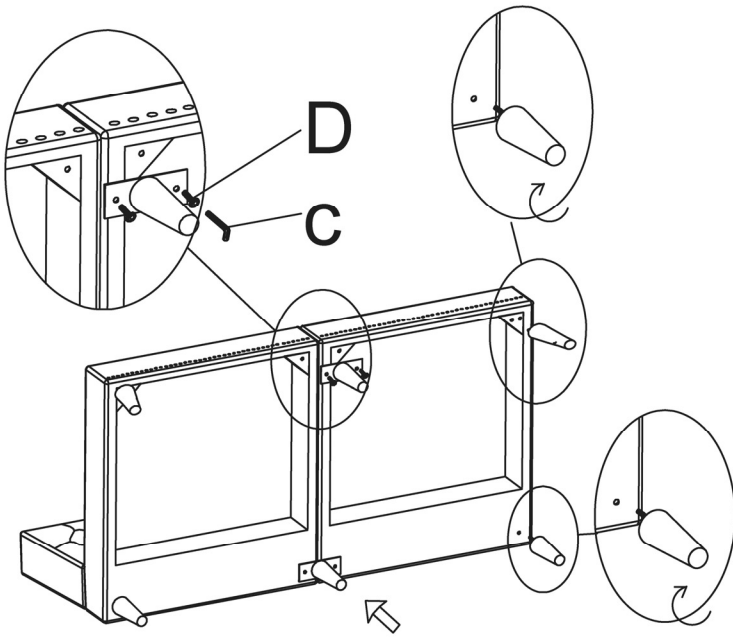
Leg A X2



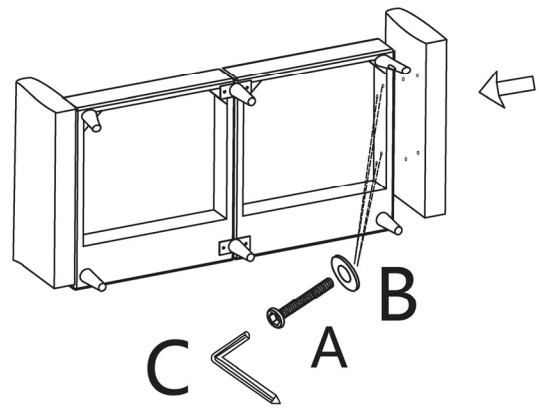
Leg B X4

A	M8 	8PCS			
B		8PCS			
C	5# 	1PC			
D	M6 	4PCS			

STEP 1



STEP 2



STEP 3

