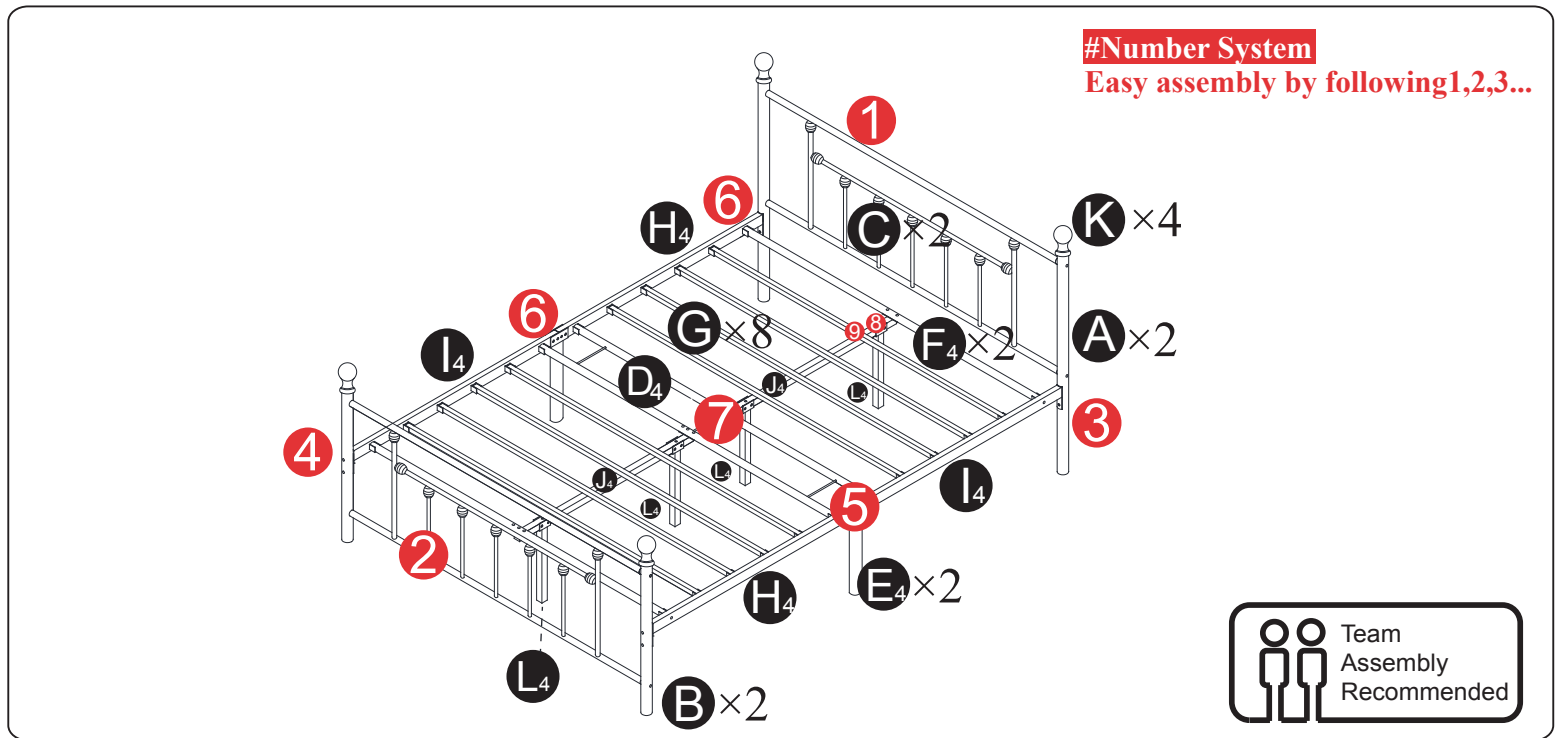
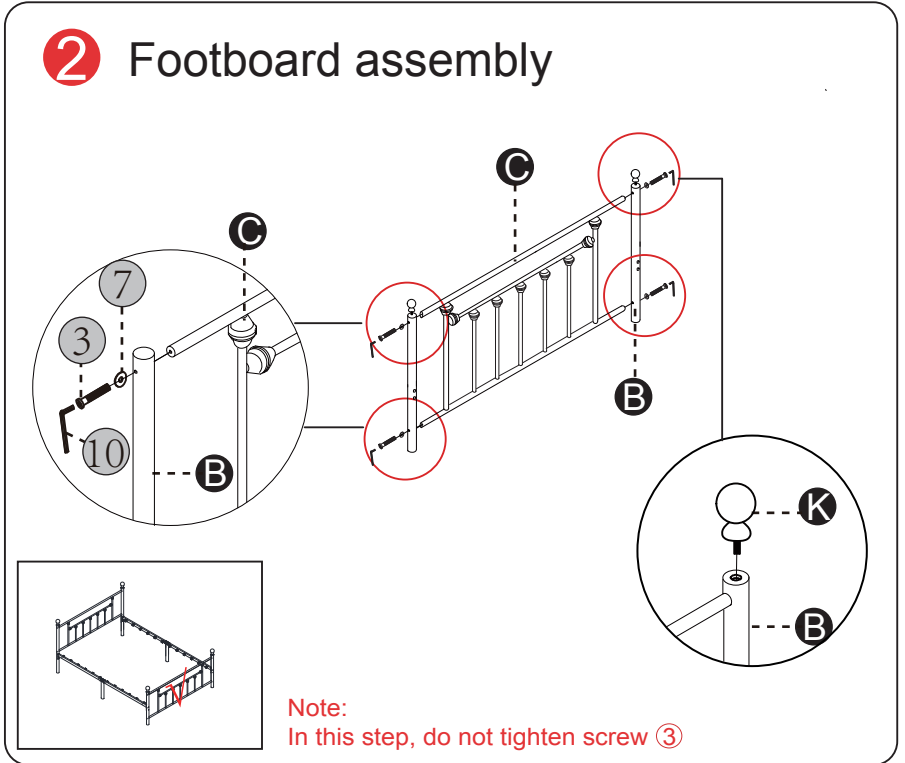
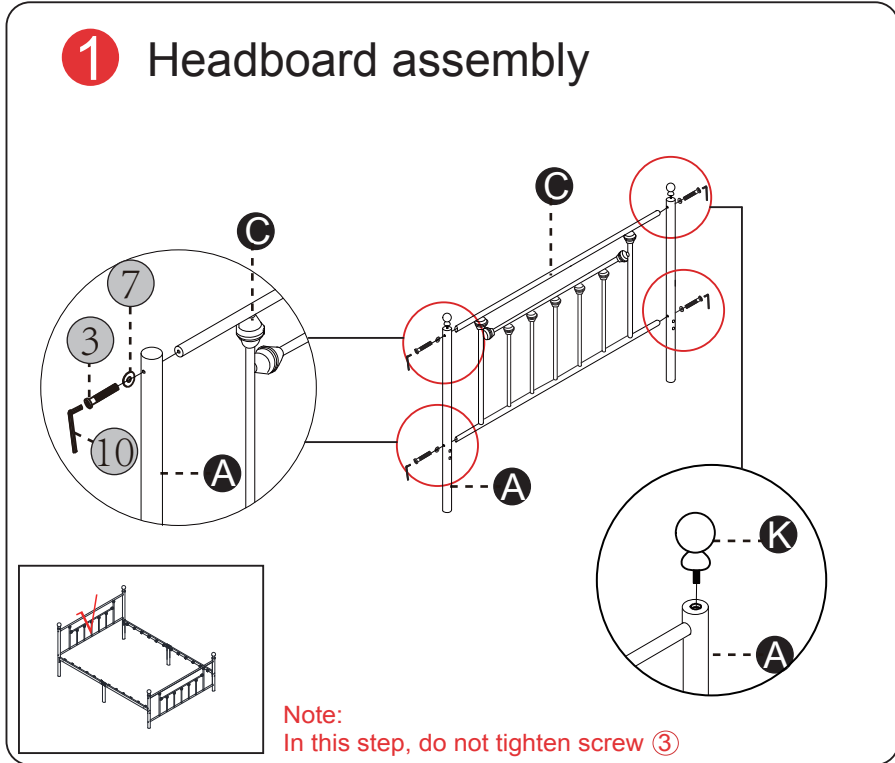


# Bed Frame Installation Manual

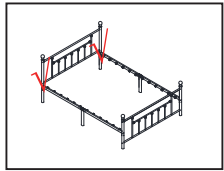
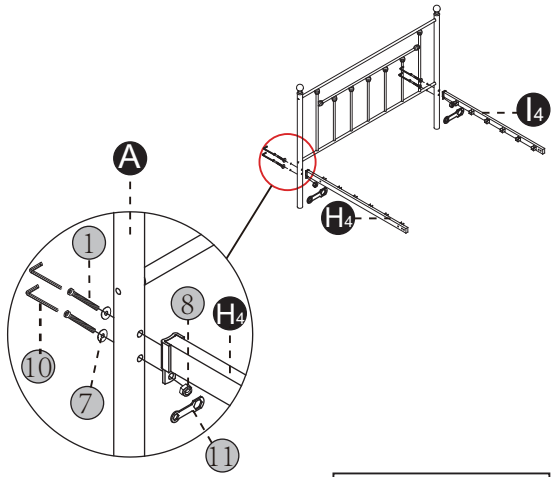


Components		Screws & Tools		
	A x2	1		M8x50mm x8
	B x2	2		M8x35mm x8
	C x2	3		M6x60mm x8
	D x1	4		M6x40mm x20
	E x2	5		M6x30mm x12
	F x2	6		M6x15mm x4
	G x8	7		x16
	H x2	8		M8 x12
	I x2	9		M6 x16
	J x2	10		M5 x1
	K x4	11		M13/M10 x1
	L x4			

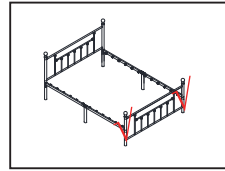
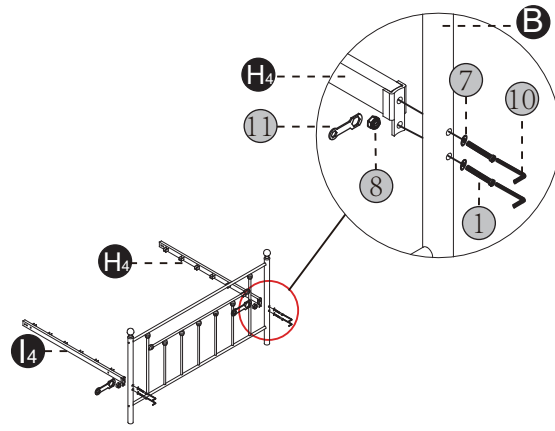
Check all the components & screws before assembly. Do not install in case part is missing.



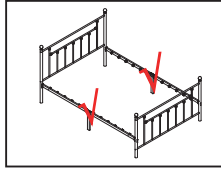
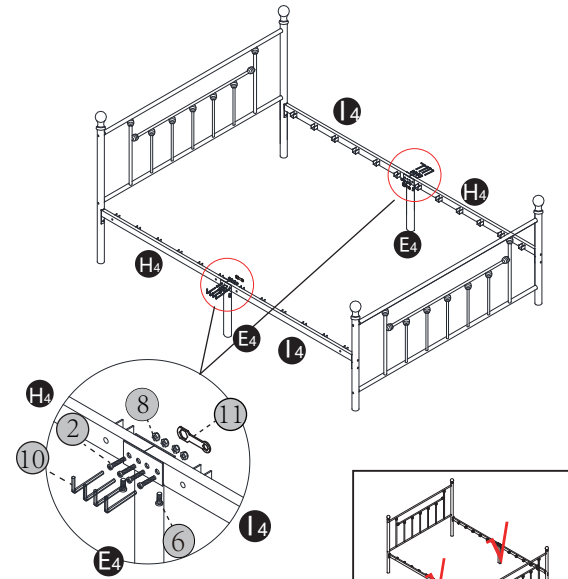
**3** Connect **H<sub>4</sub>** & **L<sub>4</sub>** to headboard



**4** Connect **H<sub>4</sub>** & **L<sub>4</sub>** to footboard

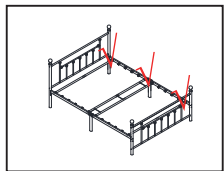
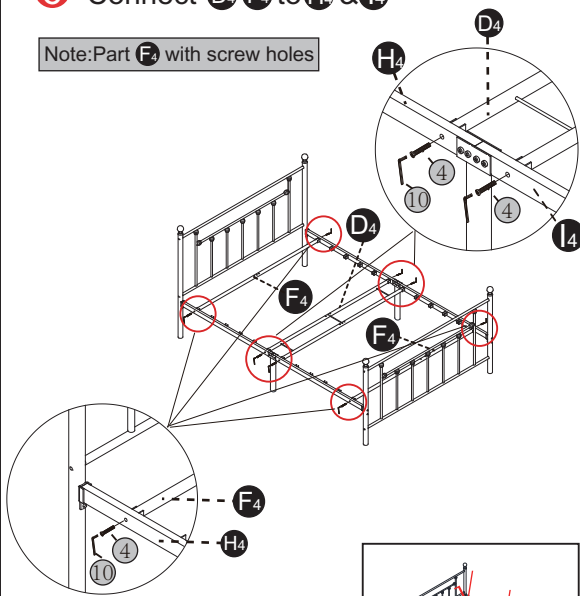


**5** Connect **E<sub>4</sub>** to **H<sub>4</sub>** & **L<sub>4</sub>**



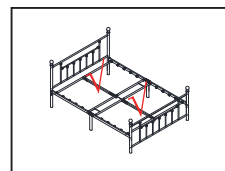
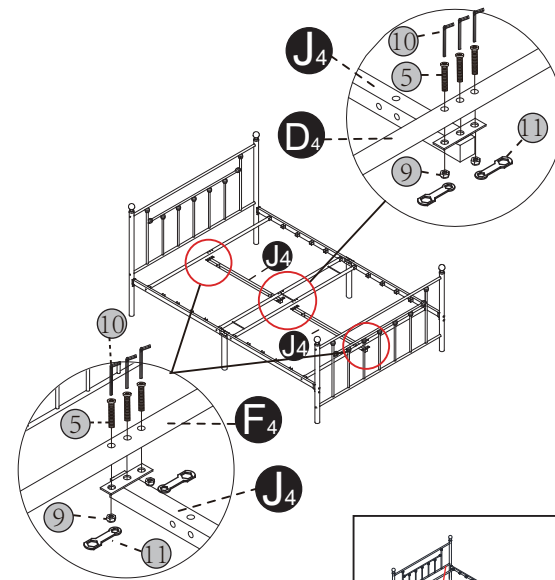
**6** Connect **D<sub>4</sub>** **F<sub>4</sub>** to **H<sub>4</sub>** & **L<sub>4</sub>**

Note: Part **F<sub>4</sub>** with screw holes

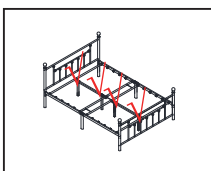
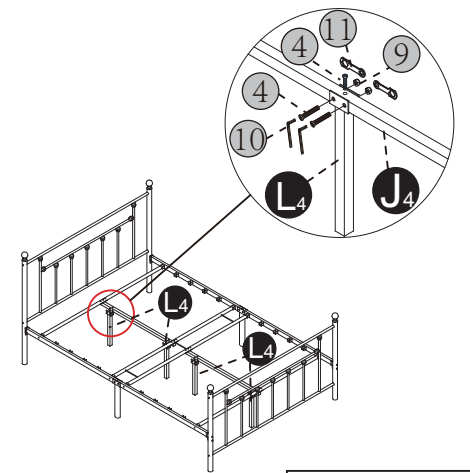


Note:  
In this step, do not tighten  
screw **4**

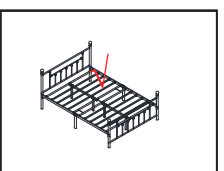
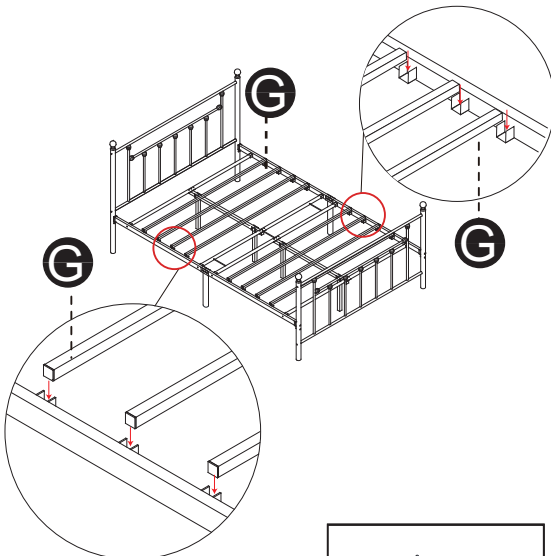
**7** Connect **J<sub>4</sub>** to **D<sub>4</sub>** & **F<sub>4</sub>**



**8** Connect **L<sub>4</sub>** to **J<sub>4</sub>**



**9** Assemble bed slats



Note:  
If the bed slats cannot be  
inserted easily, loosen the  
screws (step **6**)

**10** Check and tighten all screws

