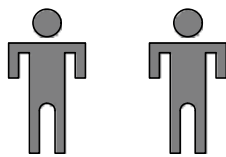
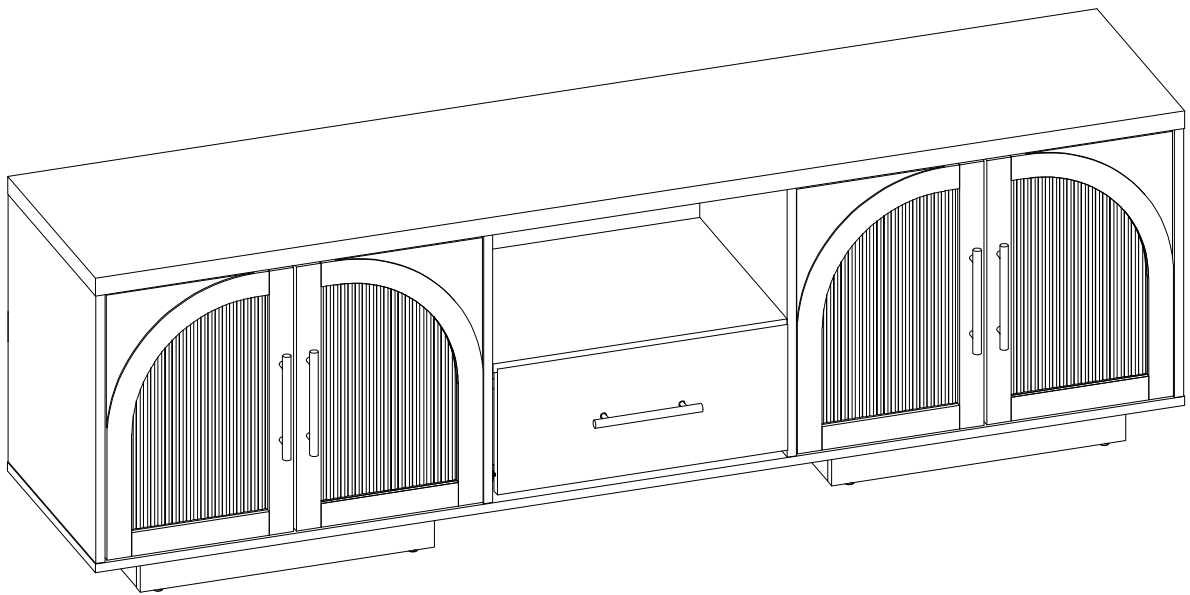


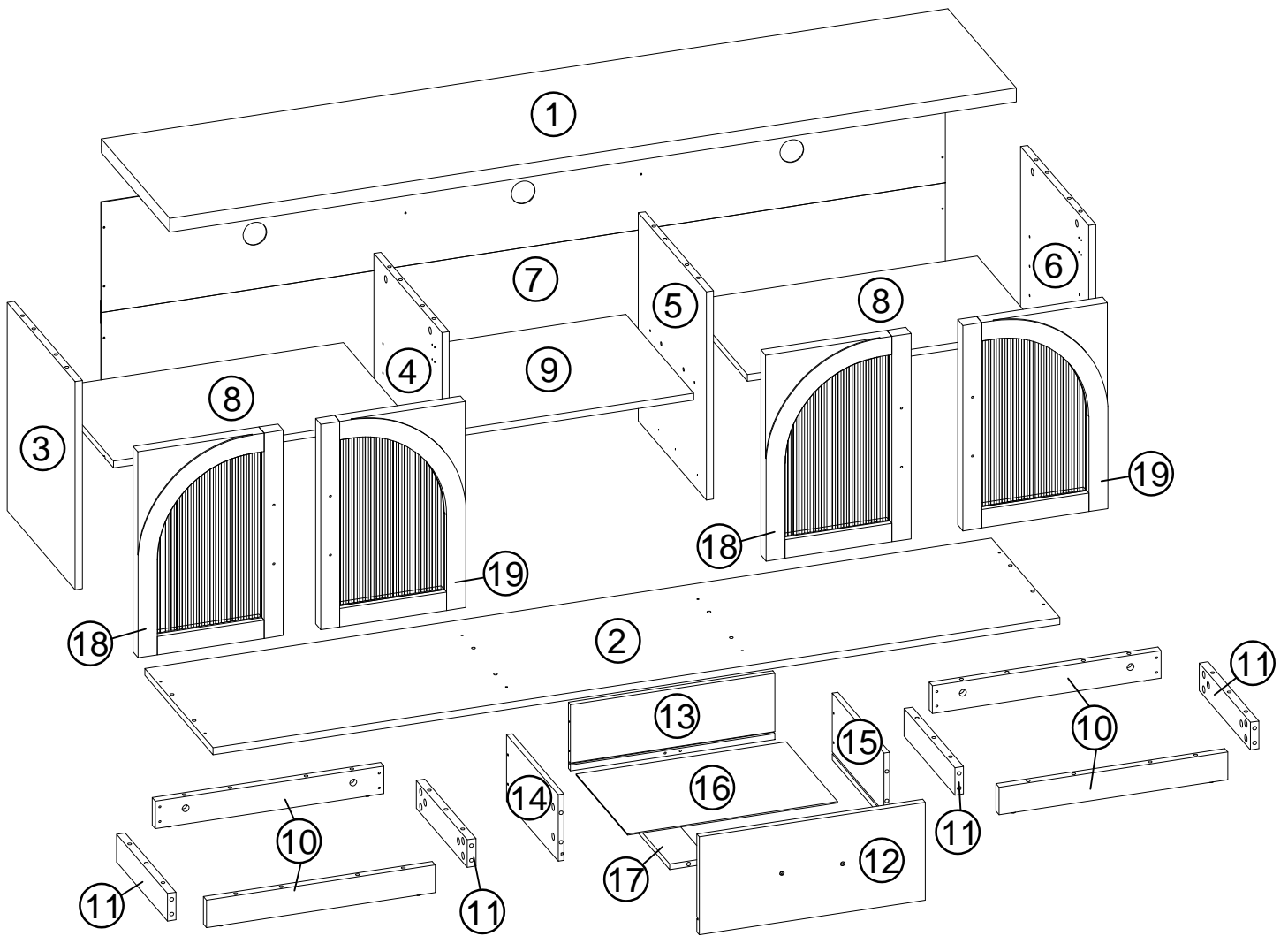
ASSEMBLY INSTRUCTIONS

ITEM: MJ6001

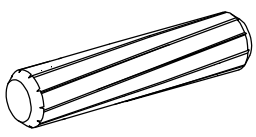



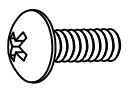
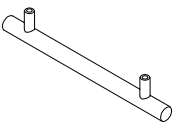
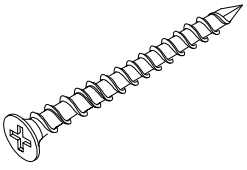
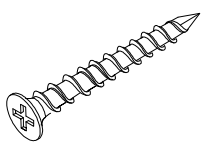
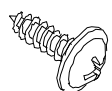

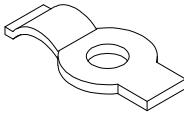
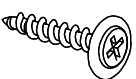
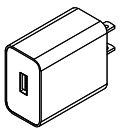
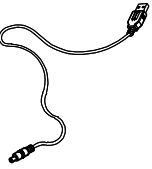

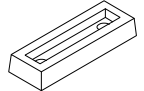
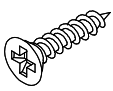

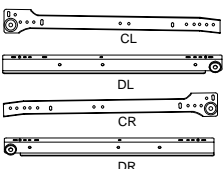
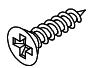
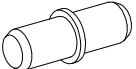
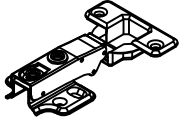
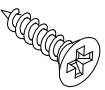
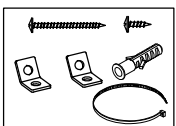


2 people for assembly

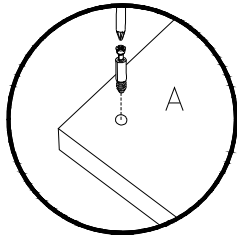
PACKAGE INCLUDE



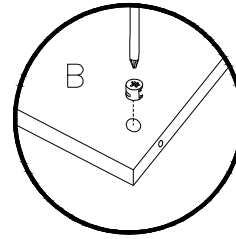
PACKAGE CONTENT

<p>$\phi 7.8 \times 30 \text{MM}$</p>  <p>A 32X+1</p>	 <p>B 12X+1</p>	<p>$\phi 6 \times 34 \text{MM}$</p>  <p>C 49X+2</p>	<p>$\phi 15 \times 12 \text{MM}$</p>  <p>D 44X+2</p>
<p>$\phi 5/32" \times 22 \text{MM}$</p>  <p>E 10X</p>	 <p>F 5X</p>	<p>$\phi 4 \times 50 \text{MM}$</p>  <p>G 8X+1</p>	<p>$\phi 4 \times 38 \text{MM}$</p>  <p>H 6X+1</p>
<p>$\phi 3.5 \times 15 \text{MM}$</p>  <p>I 26X+1</p>	 <p>J 1X</p>	 <p>K 5X+1</p>	<p>$\phi 3 \times 10 \text{MM}$</p> <p>Included In Insert Screws</p>  <p>L 5X+1</p>
 <p>M 1X</p>	 <p>N 1X</p>	<p>Remote Control</p>  <p>O 1X</p>	 <p>P 2X</p>
<p>$\phi 3 \times 15 \text{MM}$</p>  <p>Q 4X+1</p>	<p>$\phi 15 \times 10 \text{MM}$</p>  <p>R 5X+1</p>	 <p>S 1X</p>	<p>$\phi 3.5 \times 12 \text{MM}$</p>  <p>T 12X+1</p>
 <p>U 8X</p>	 <p>V 8X</p>	<p>$\phi 4 \times 14 \text{MM}$</p>  <p>W 48X+2</p>	 <p>X 2X</p>

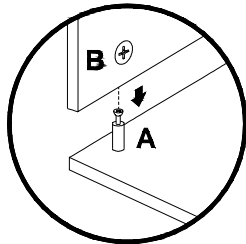
How to use the cam lock system



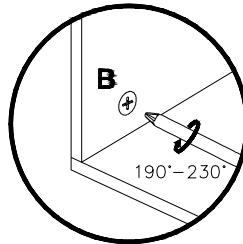
1. Screw cam bolt into panel



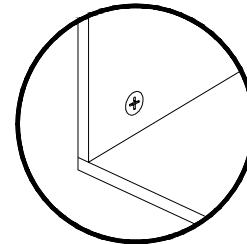
2. Push cam into panel - arrow feature on cam top points to panel edge



3. Align cam bolt(s) with cam(s) and insert all the way into cross-bored hole(s)

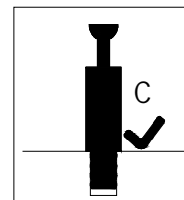
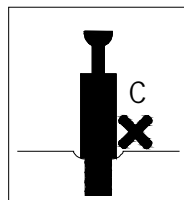
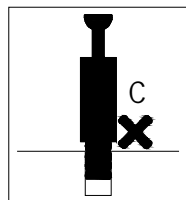
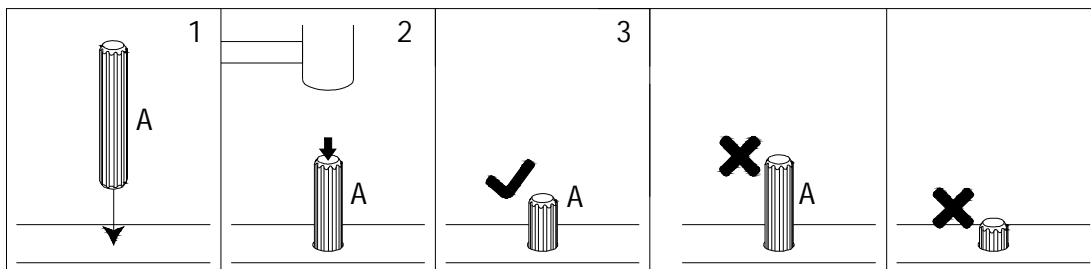


4. Rotate cam(s) clockwise 190°-230° to lock panels together



5. Panels should be tight against each other and connection should be rigid

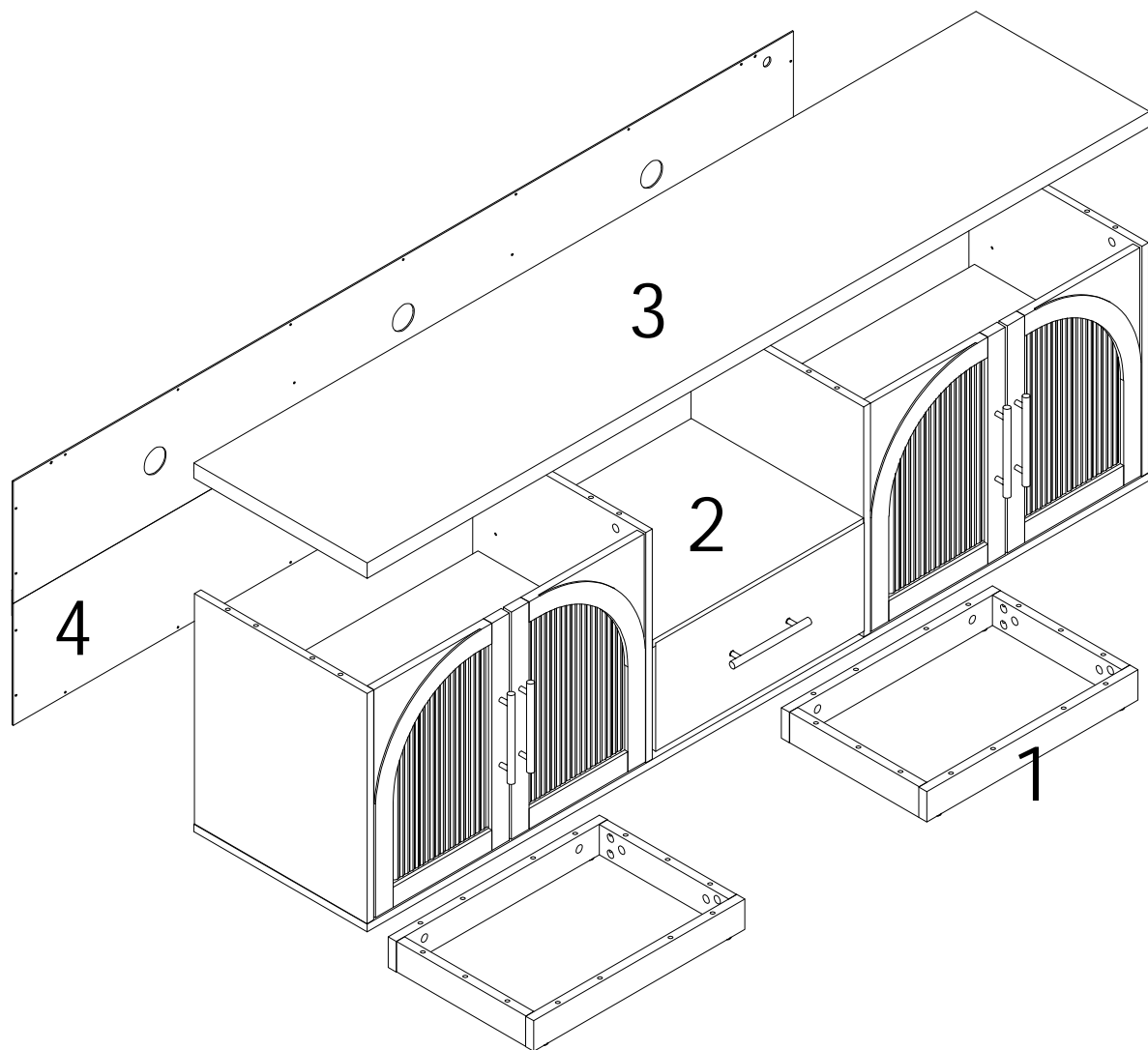
Insert the wood dowel (A) at least half way by tapping lightly with a rubber mallet, IF NECESSARY



⚠ WARNING

- Unit must be placed on a level surface or leveled with included hardware (when applicable).
- Do not sit or stand on or allow children to climb, sit or stand on the assembled product.
- For safety reasons, it is imperative that this unit be mounted to the wall.
- Do not use without installing the tip restraint.
- Unit can tip over causing severe injury or death.
- Do not exceed the recommended weight limits.
- Evenly distribute the weight on each level and always keep the heavier loads on the bottom.
- Before cutting, drilling or hammering into any wall or floor surface, verify the location of electrical, plumbing and gas lines. Cutting may cause serious injury.

Now you can assemble the TV console.



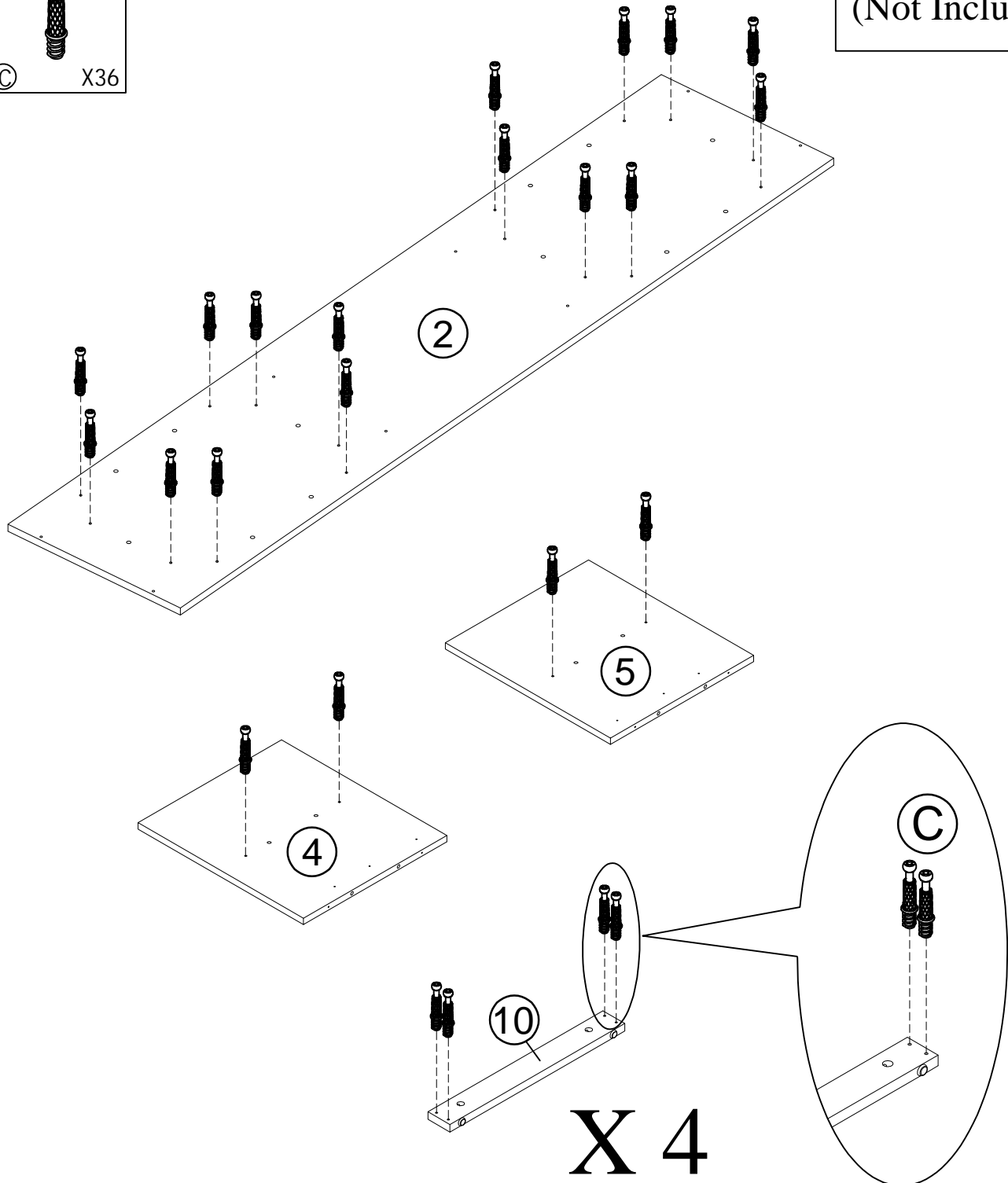
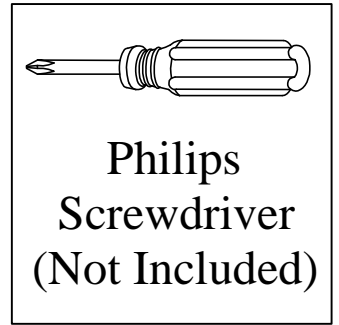
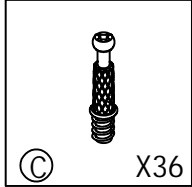
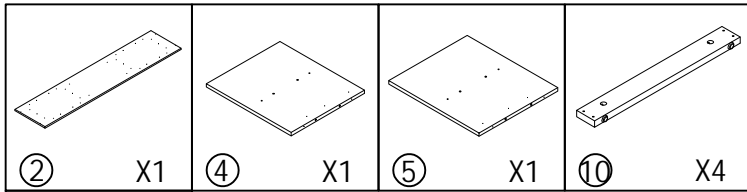
The installation process is divided into three parts:

1. Install the cabinet base
2. Install the cabinet body
3. Install the cabinet top part
4. Install the cabinet back panel

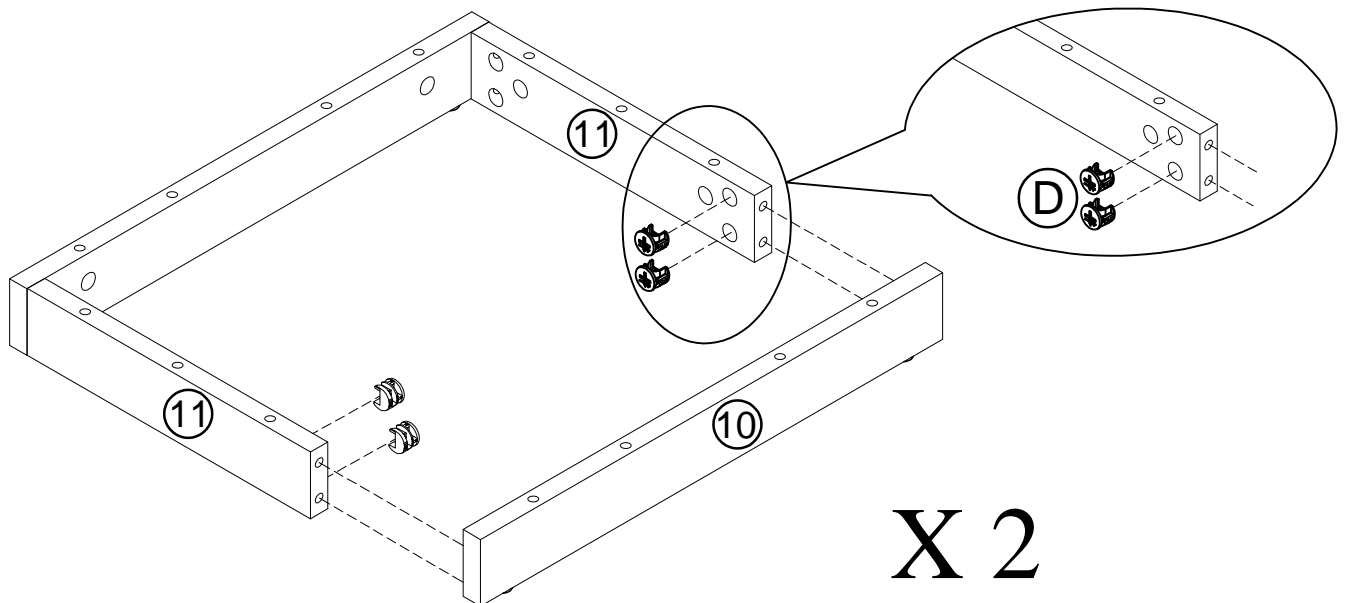
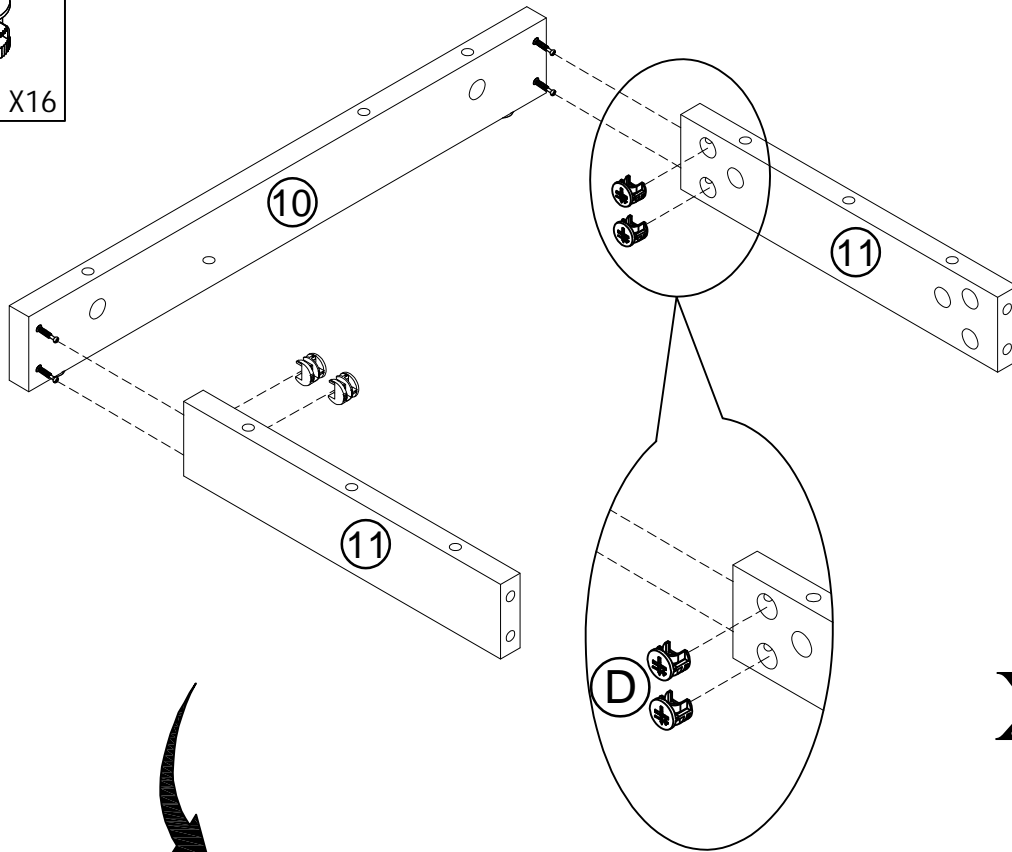
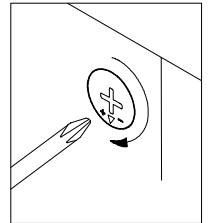
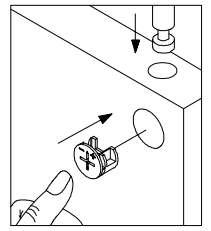
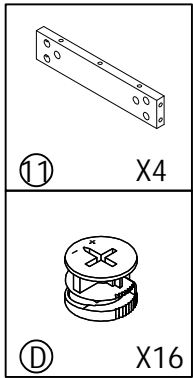
Tip:

Using an electric screwdriver will make assembly easier.

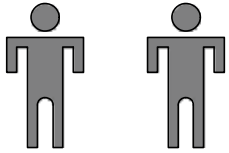
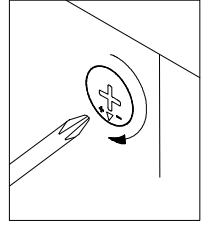
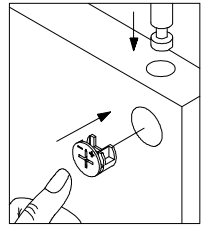
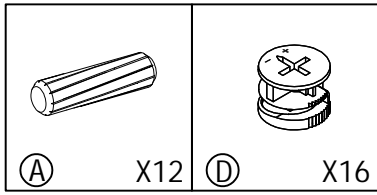
STEP 1



STEP 2

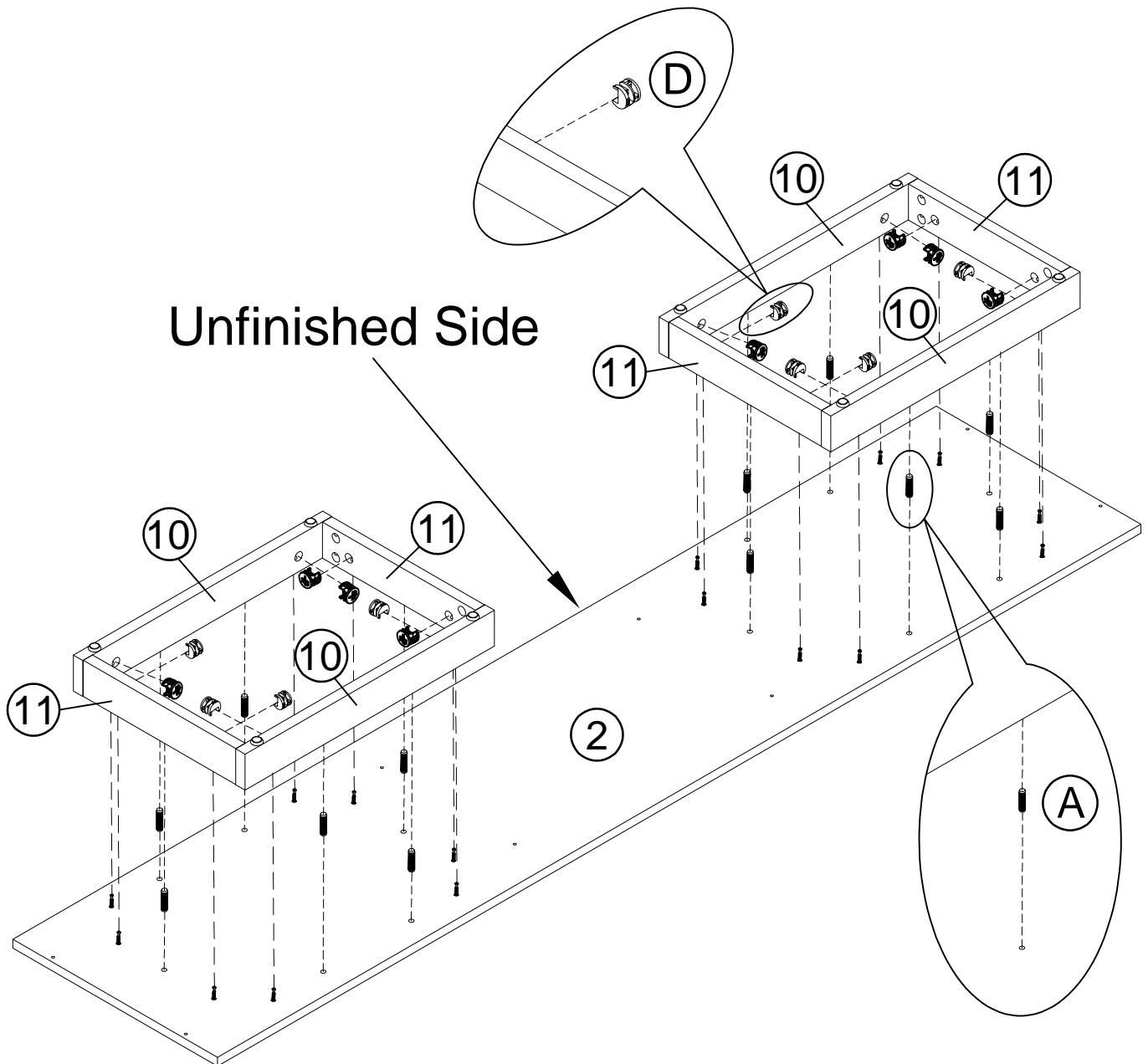


STEP 3

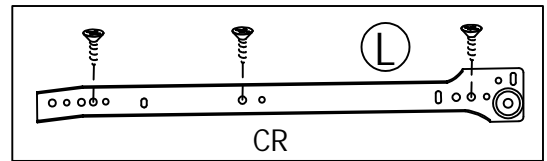
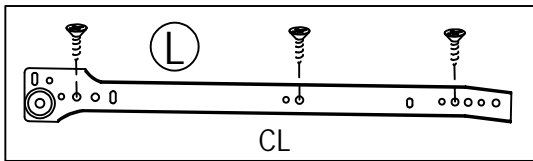
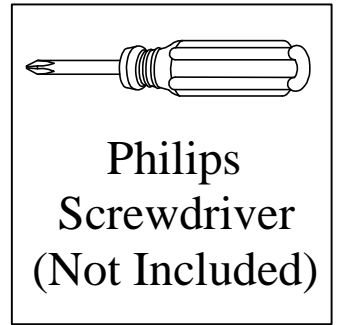
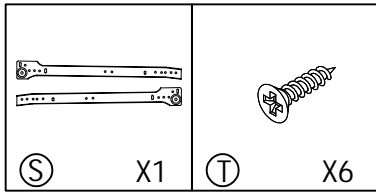


2 people for assembly

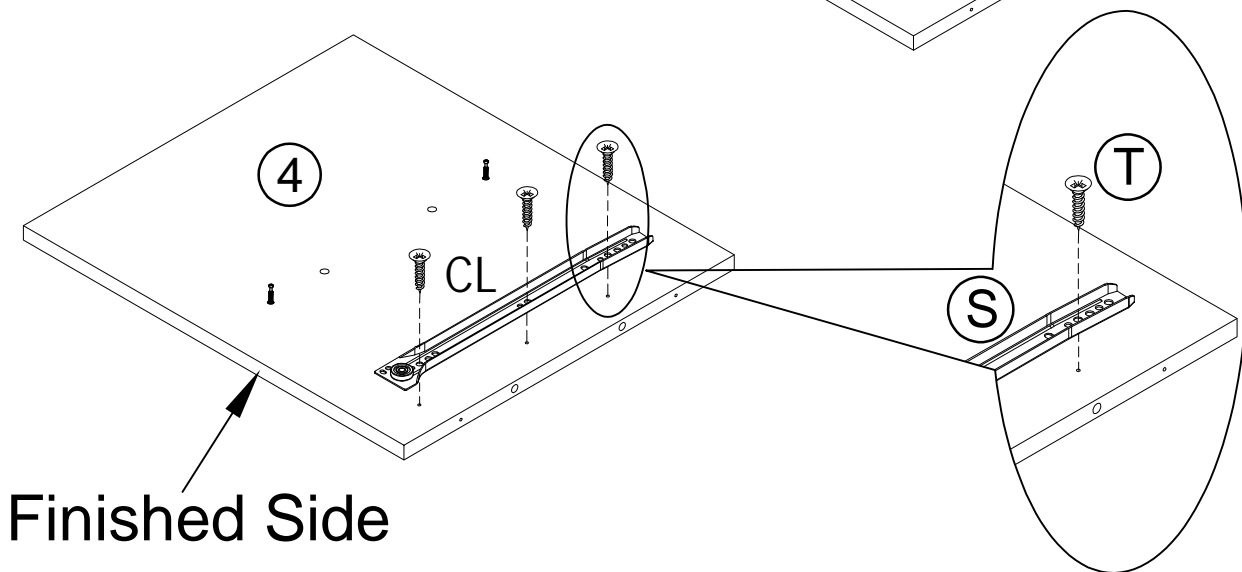
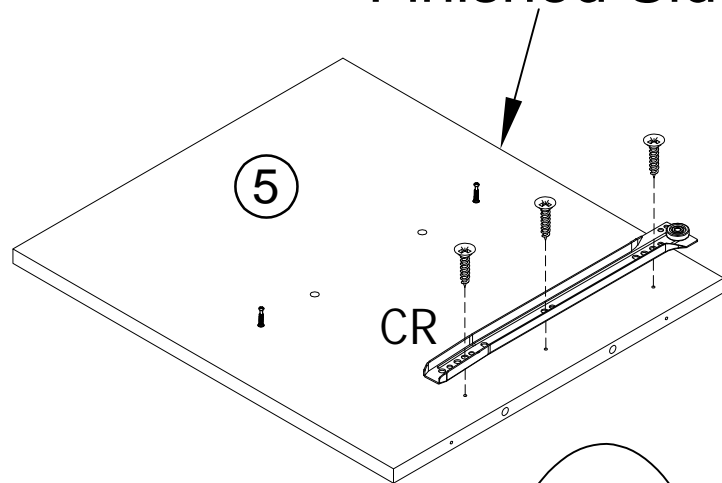
Back side



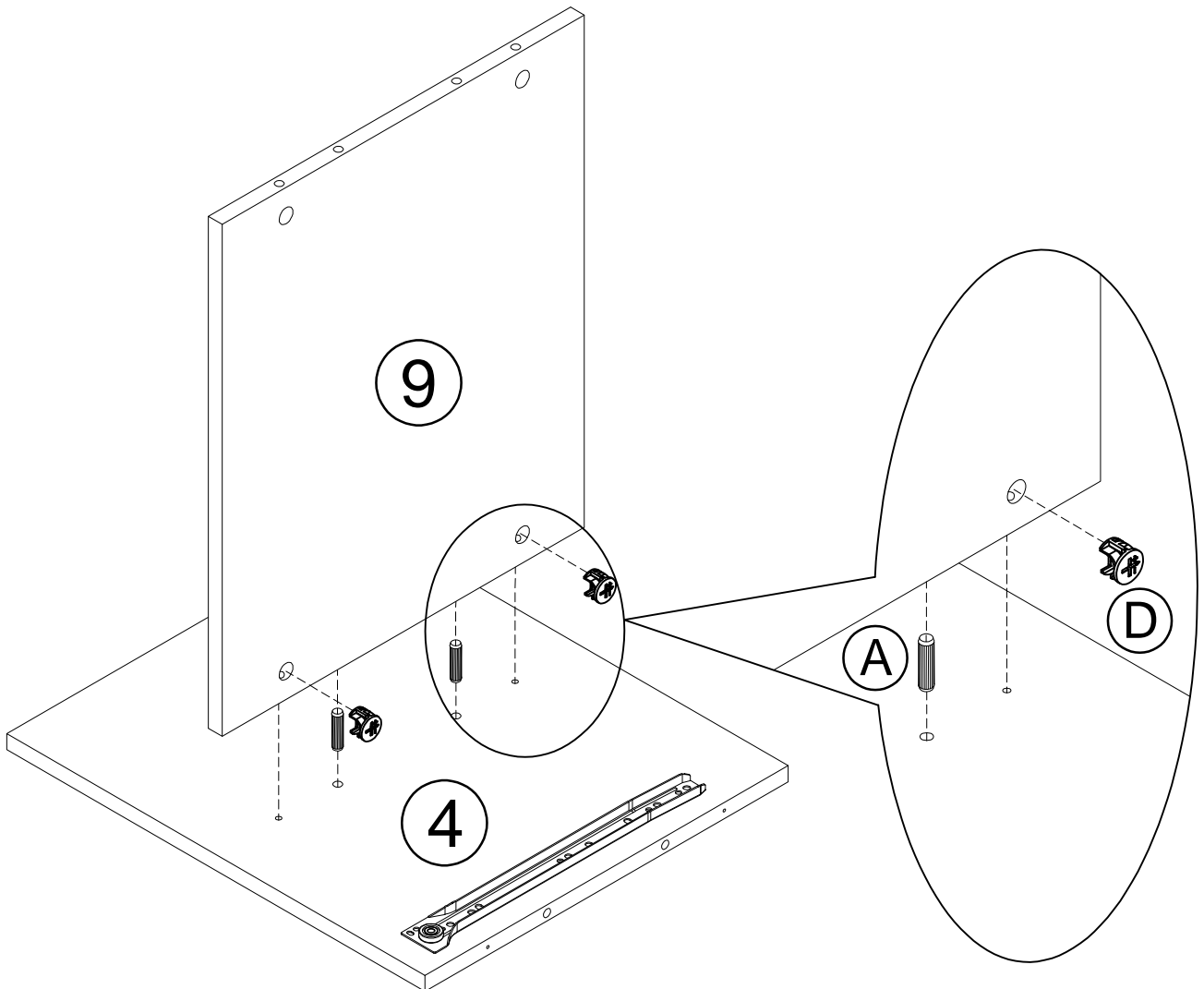
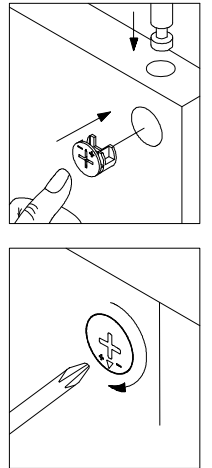
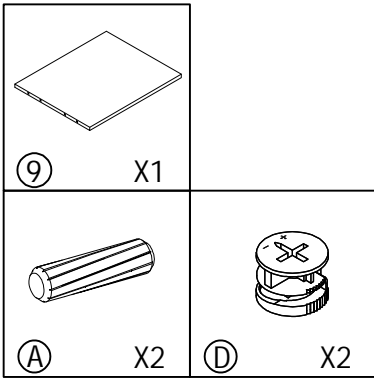
STEP 4



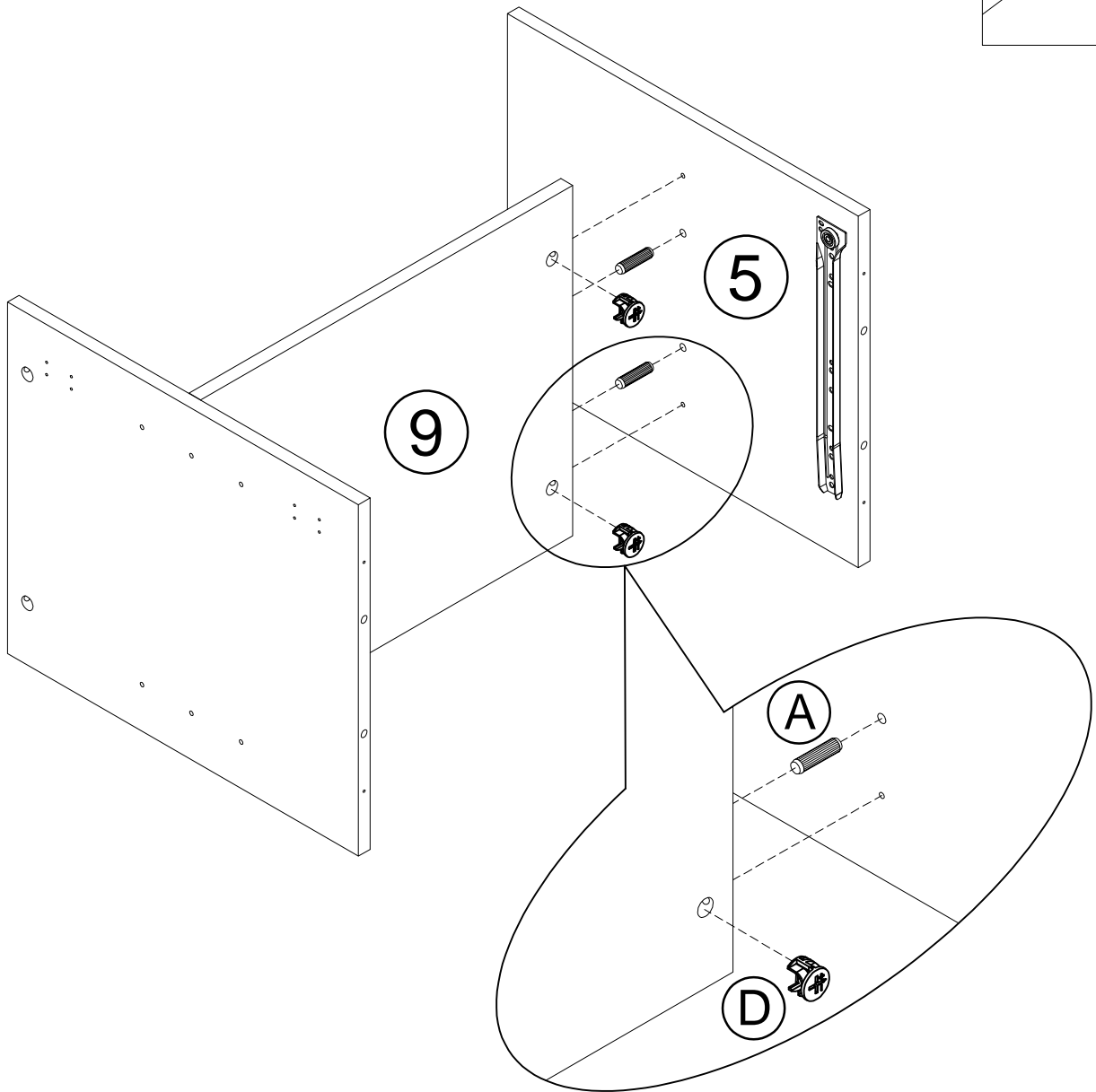
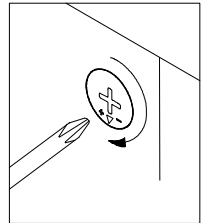
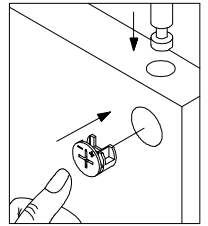
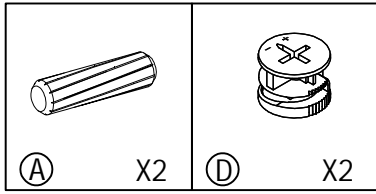
Finished Side



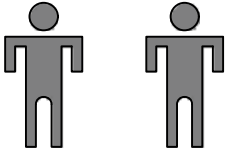
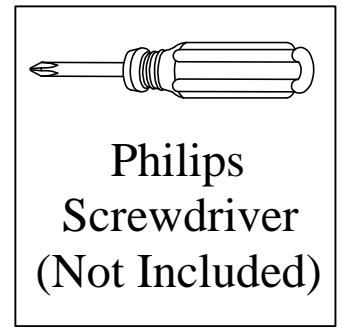
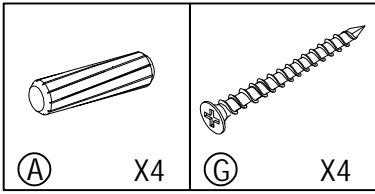
STEP 5



STEP 6



STEP 7

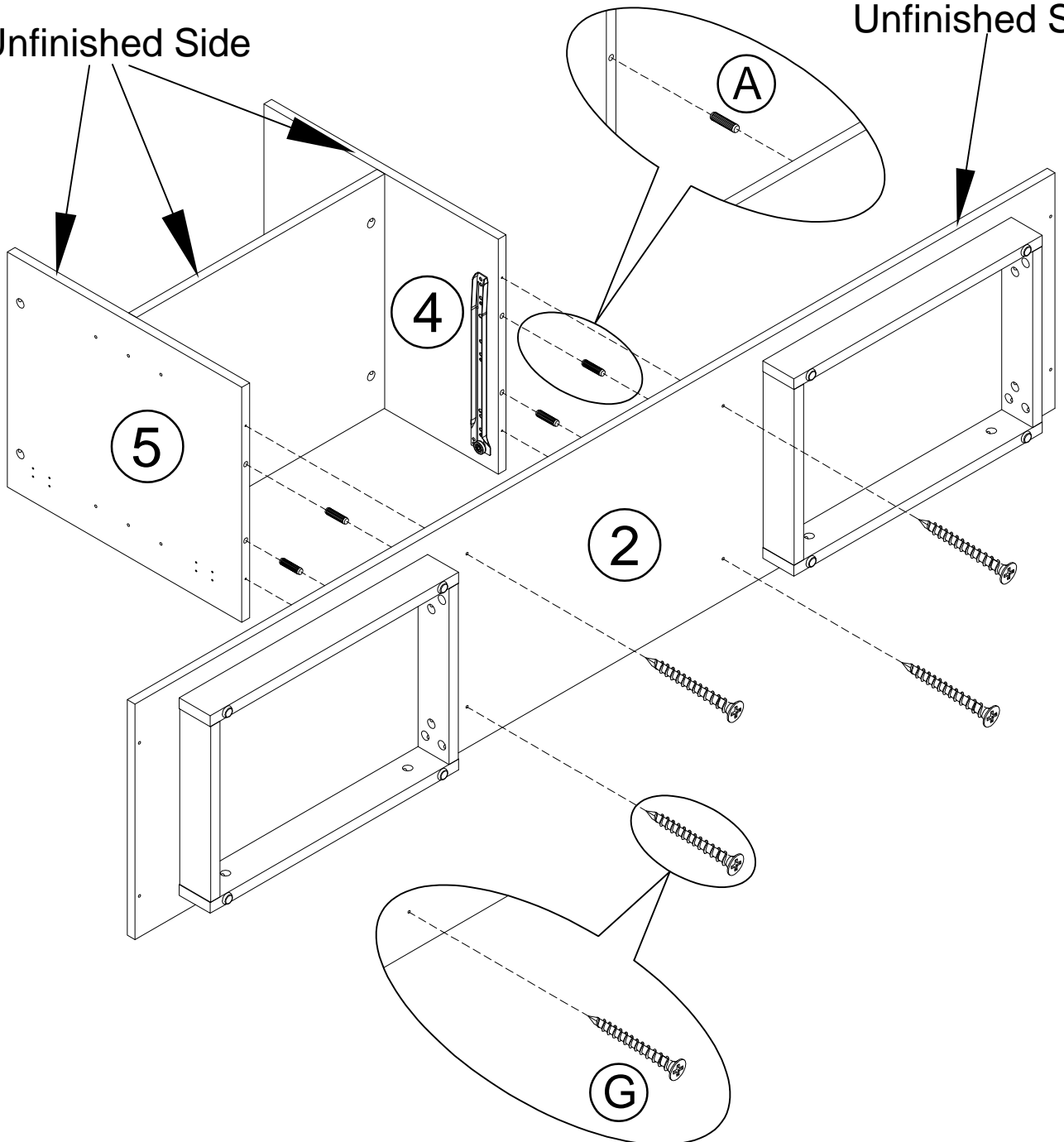


2 people for assembly

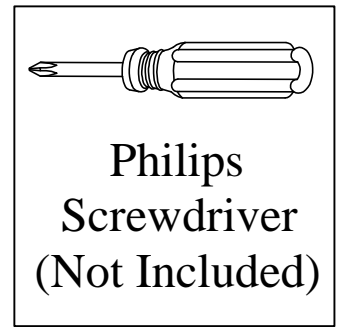
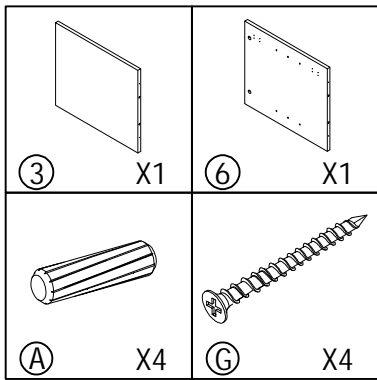
Back side

Unfinished Side

Unfinished Side

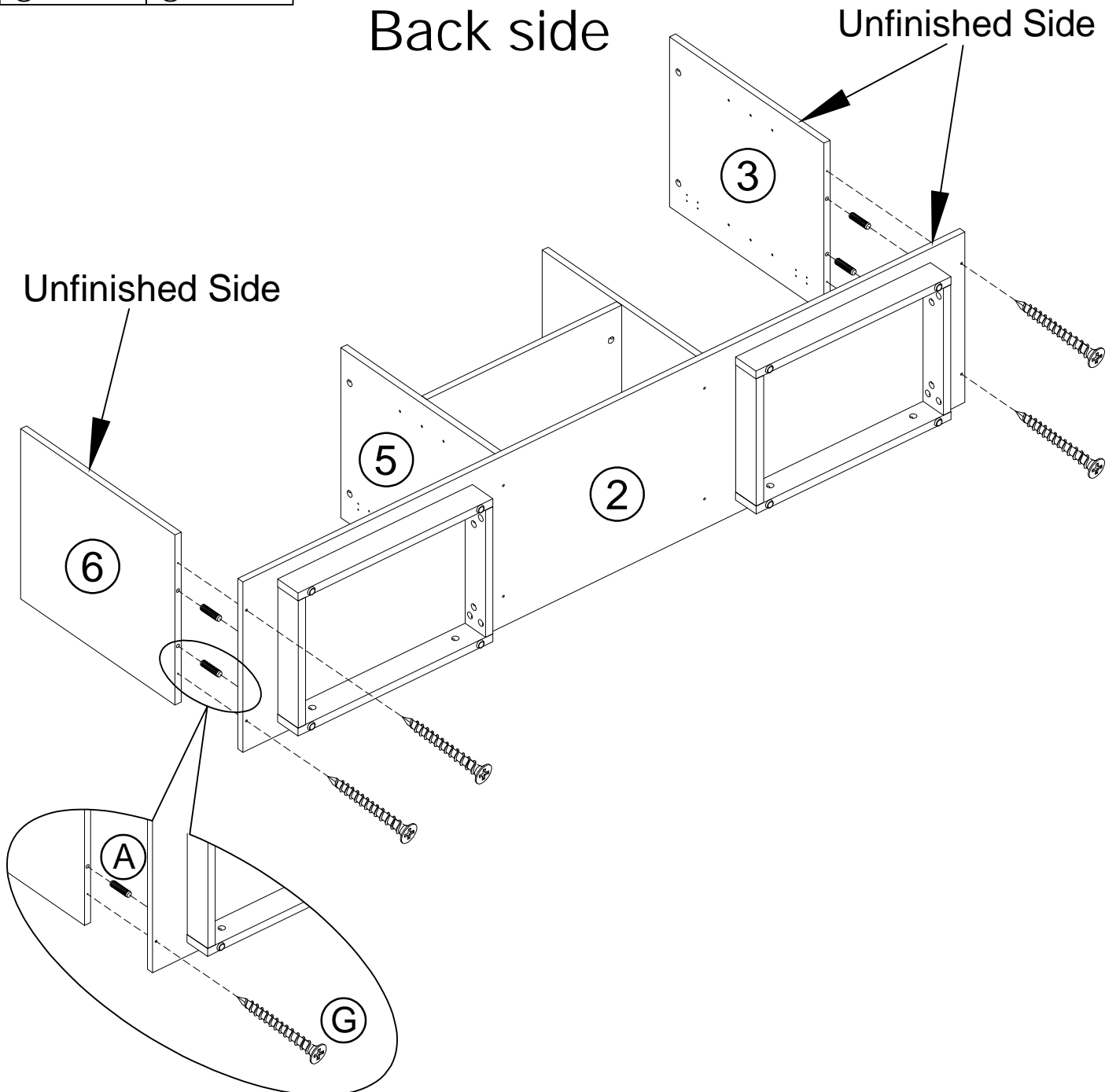


STEP 8

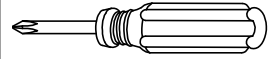


Back side

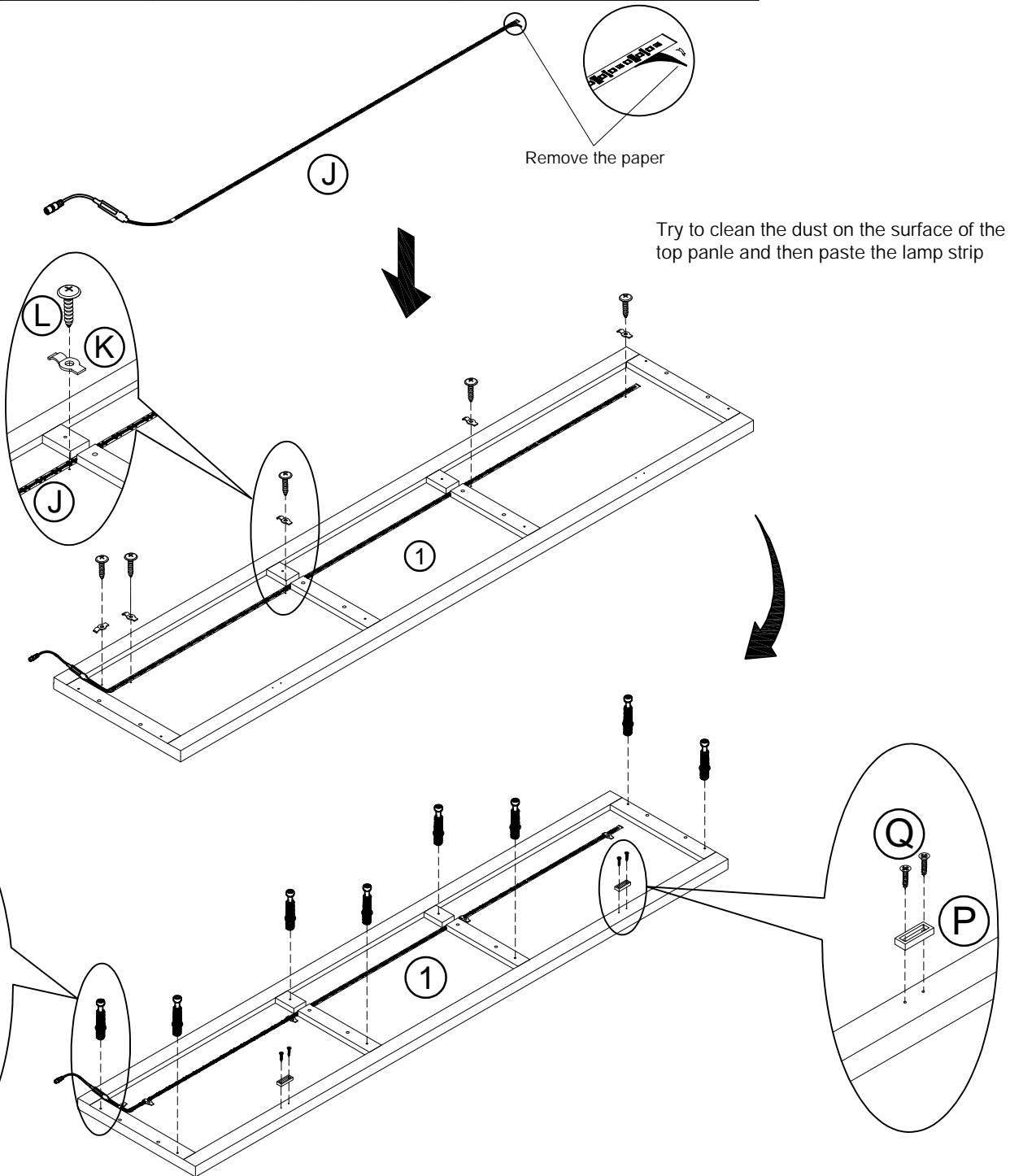
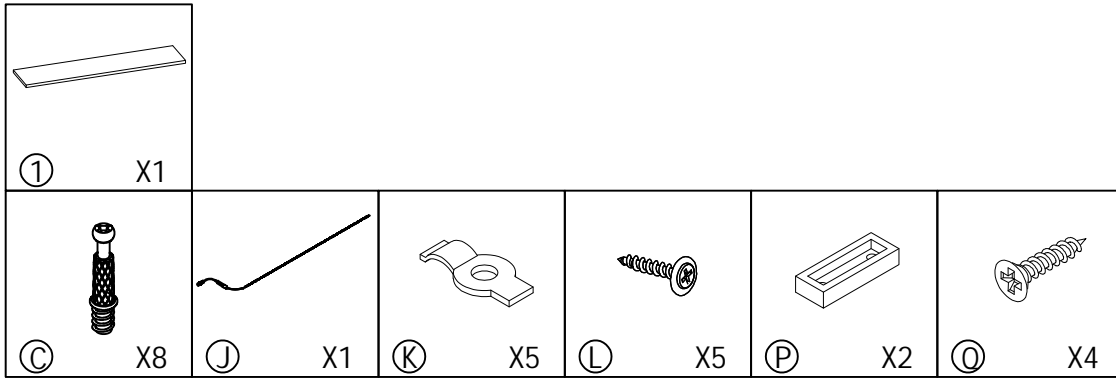
Unfinished Side



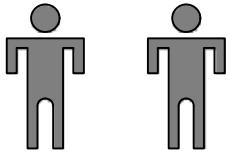
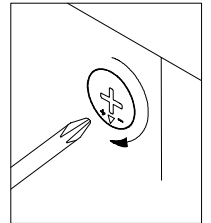
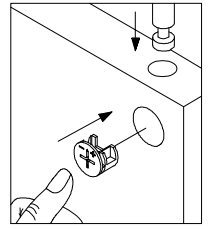
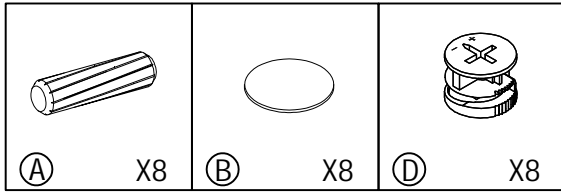
STEP 9



Philips
Screwdriver
(Not Included)

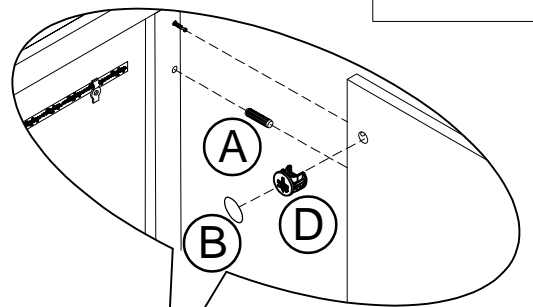


STEP 10

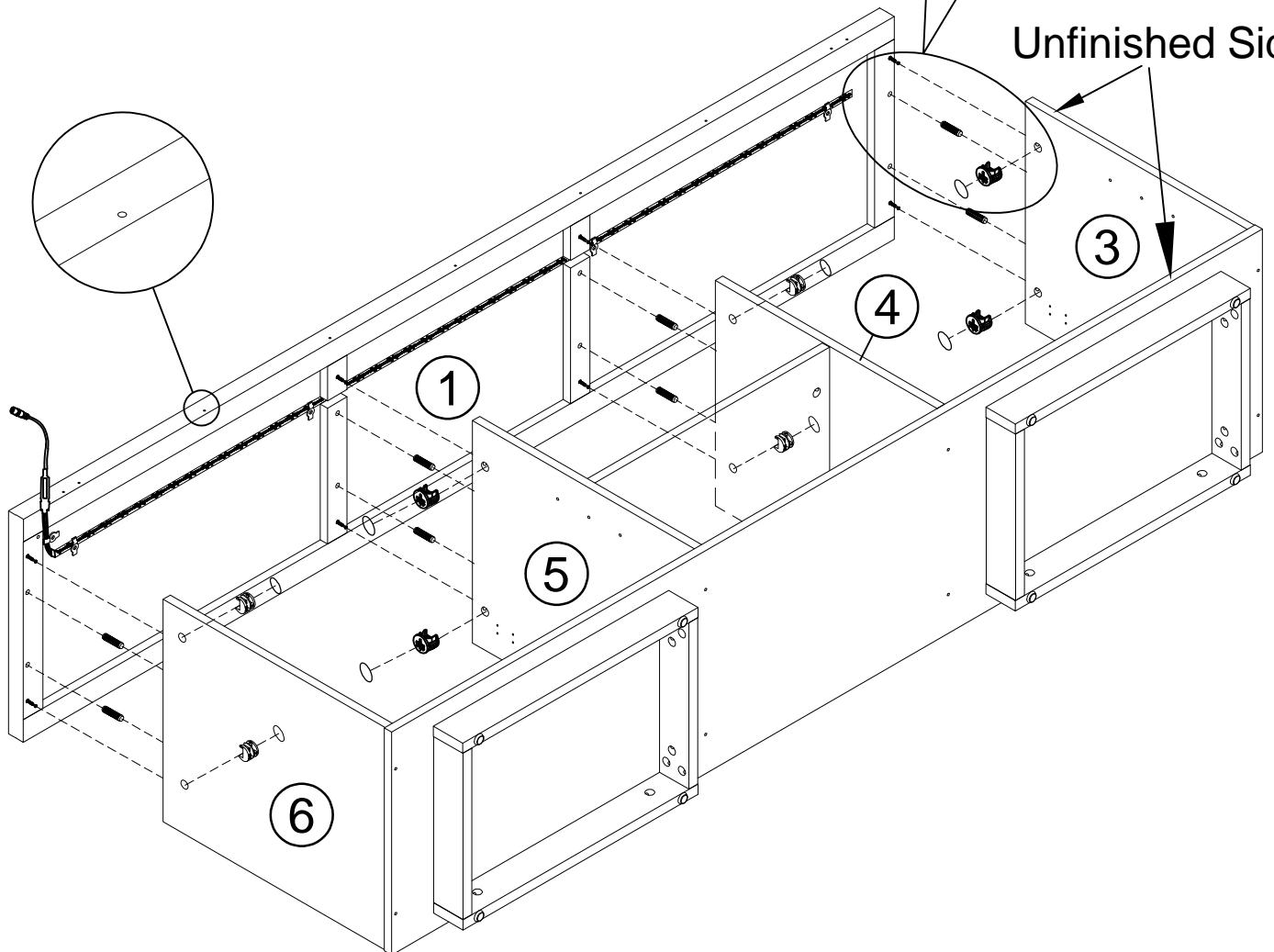


2 people for assembly

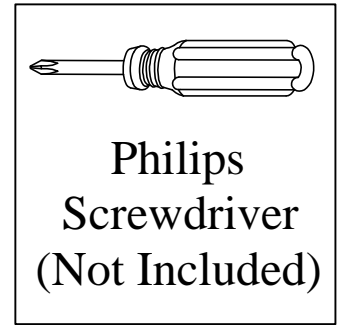
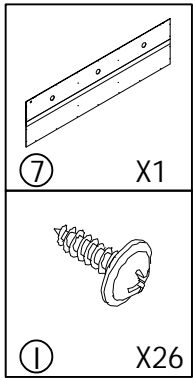
Back side



Unfinished Side

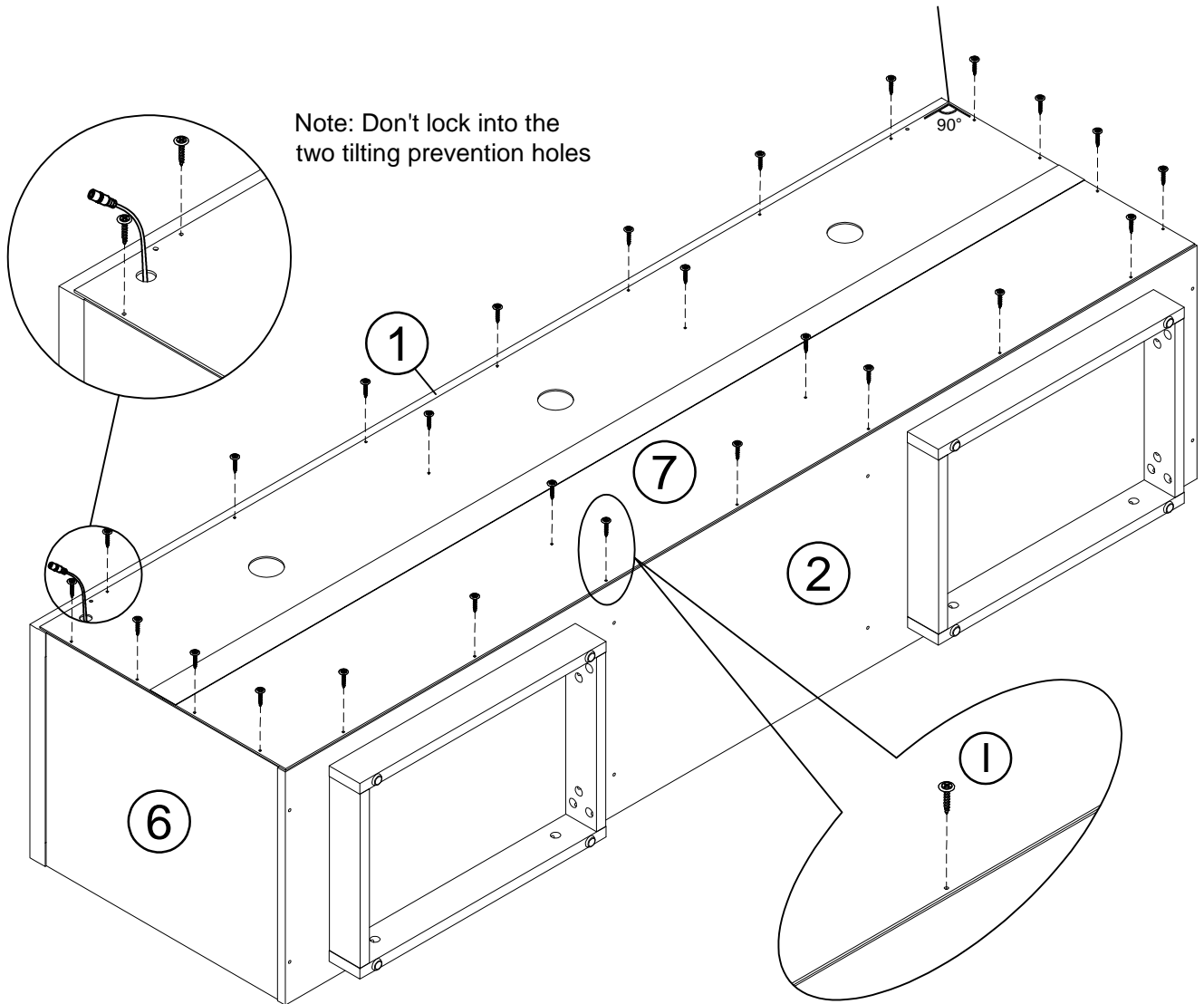


STEP 11

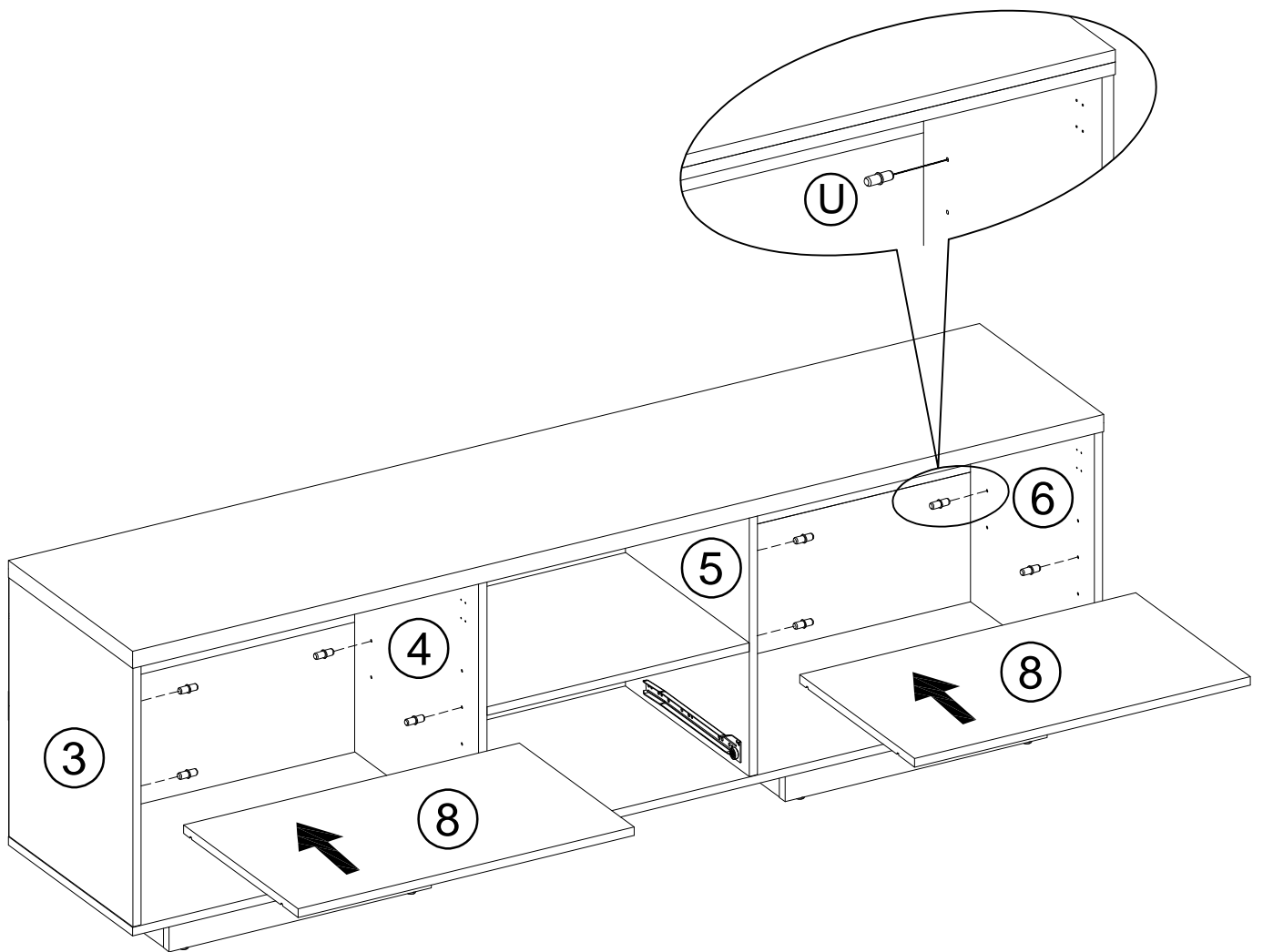
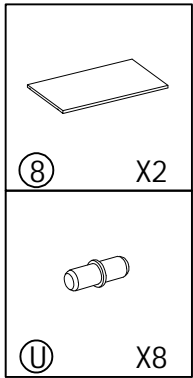


Back side

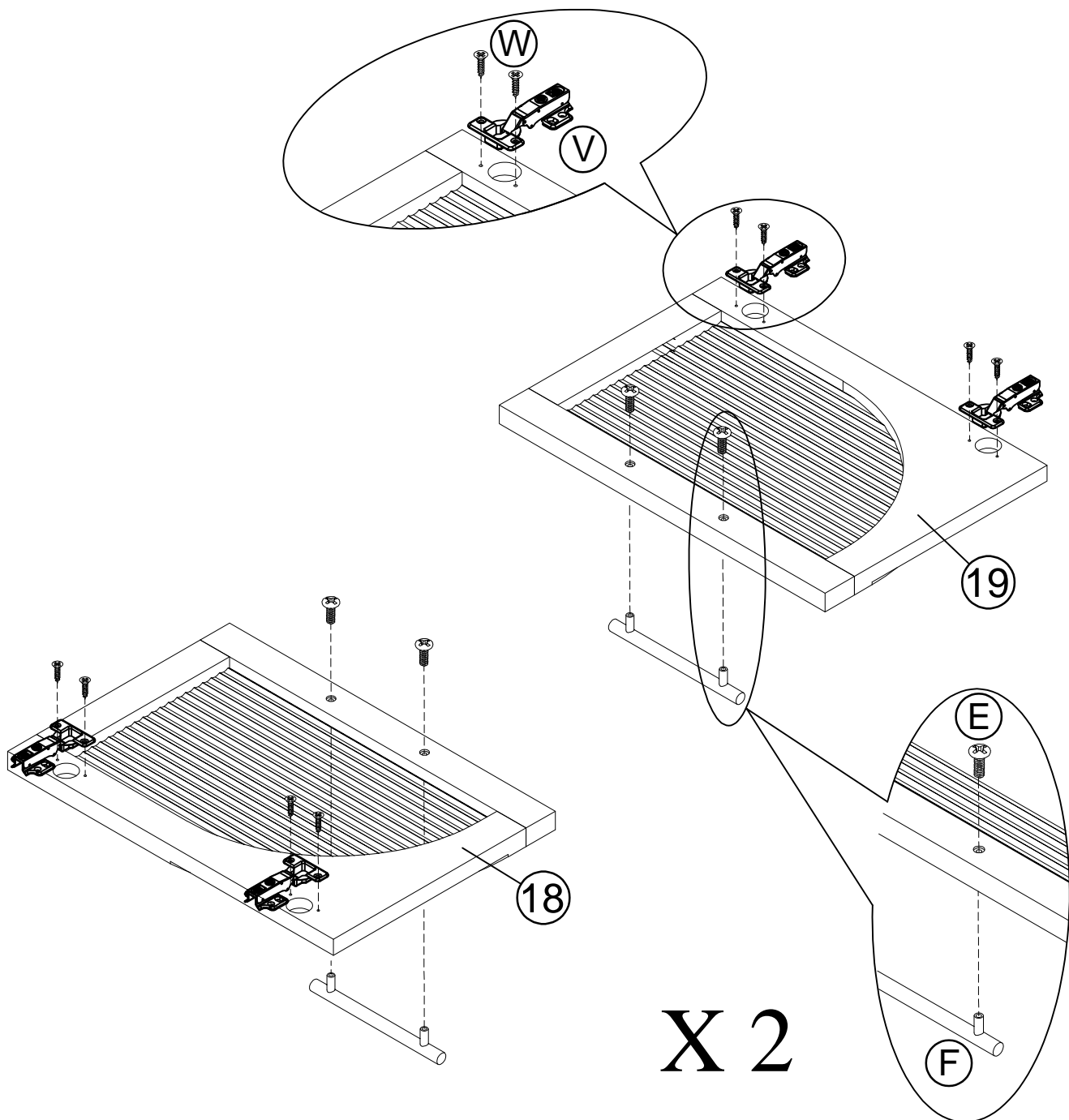
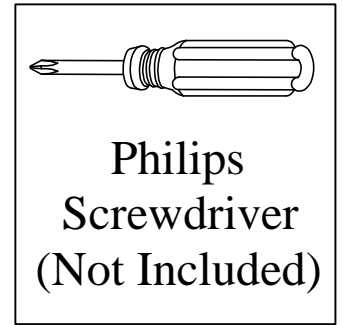
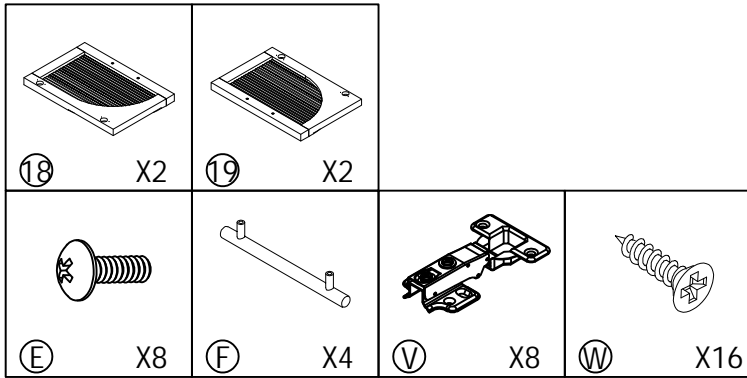
Before attaching the back panel be sure that the unit is at 90°.



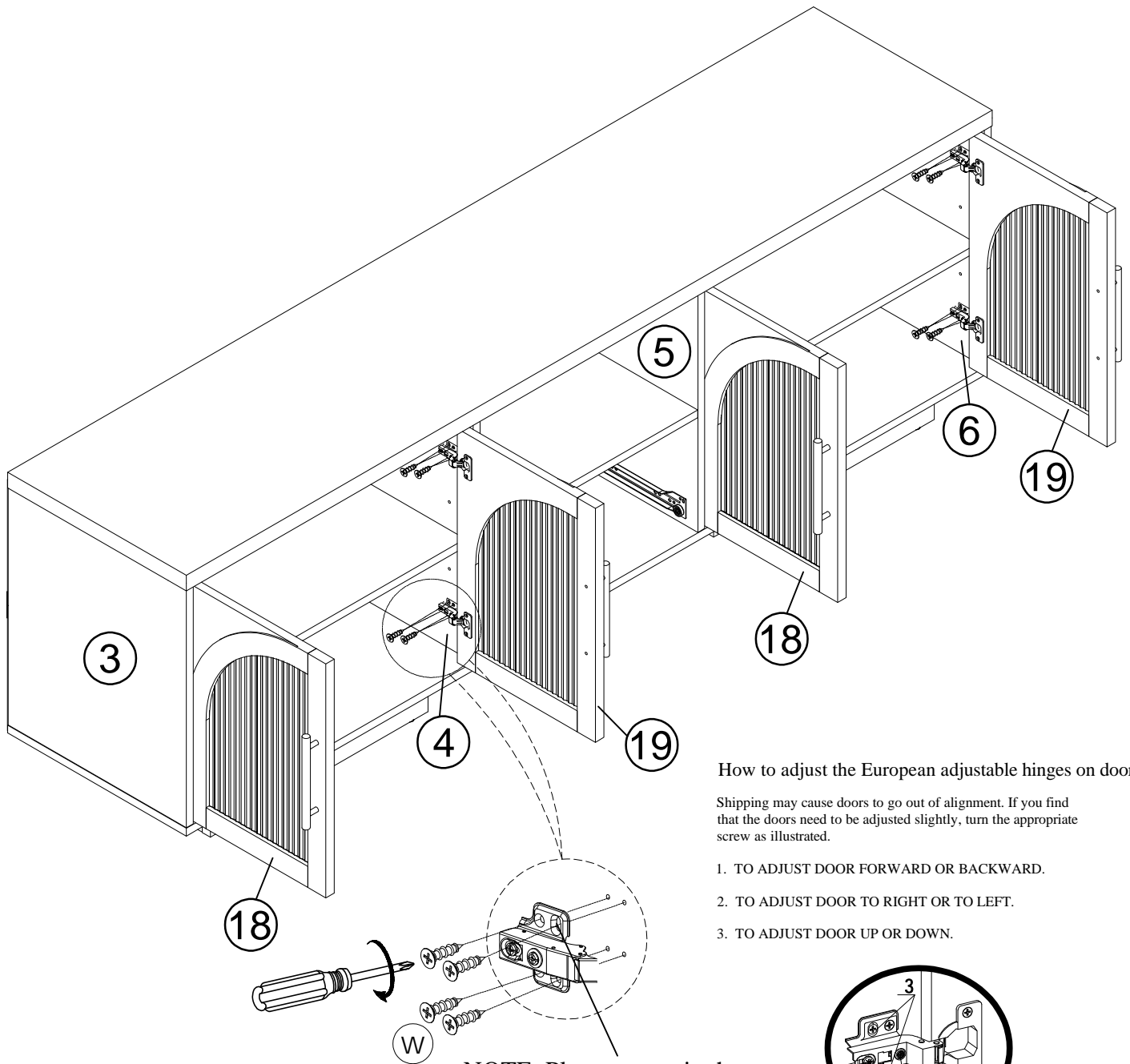
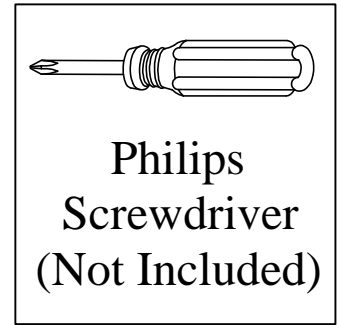
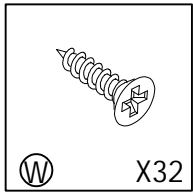
STEP 12



STEP 13



STEP 14



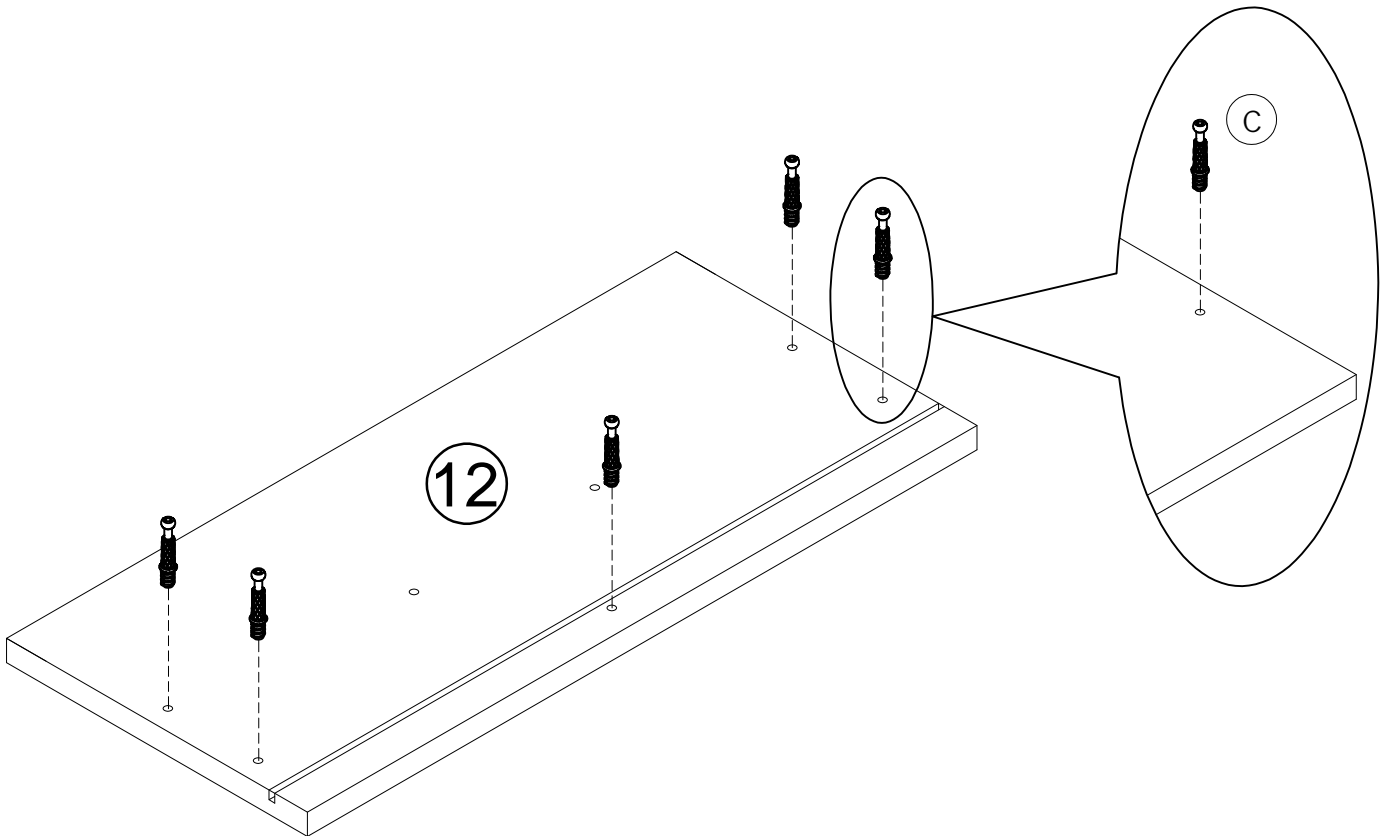
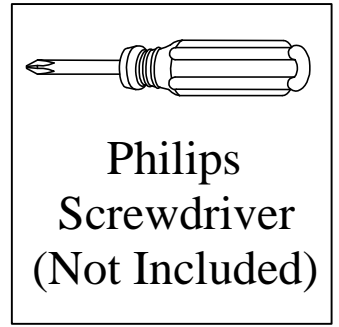
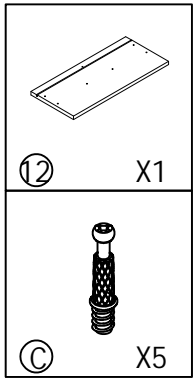
How to adjust the European adjustable hinges on doors

Shipping may cause doors to go out of alignment. If you find that the doors need to be adjusted slightly, turn the appropriate screw as illustrated.

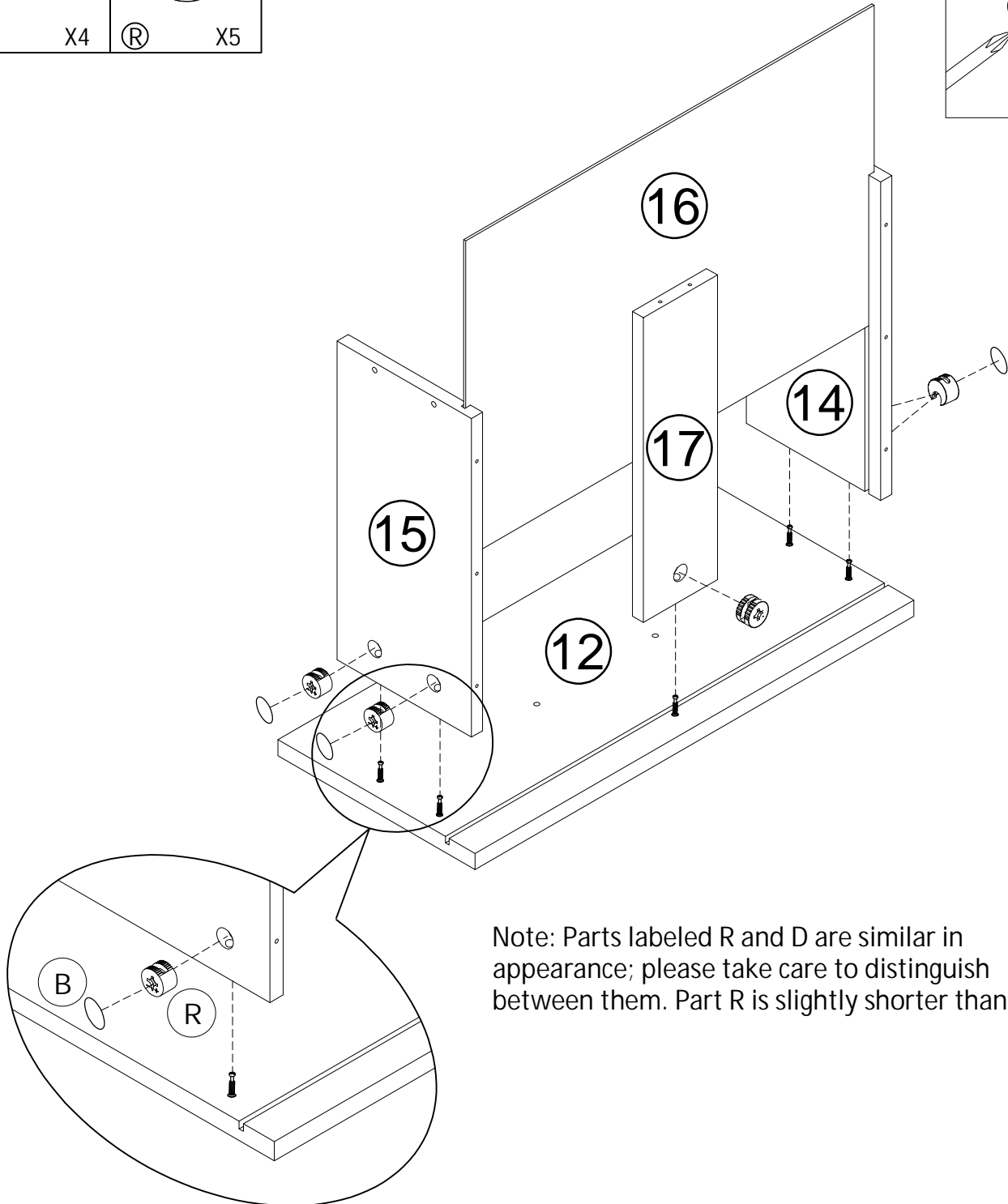
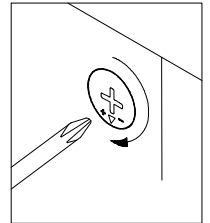
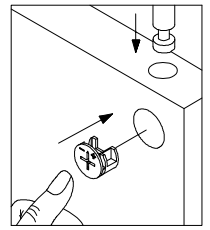
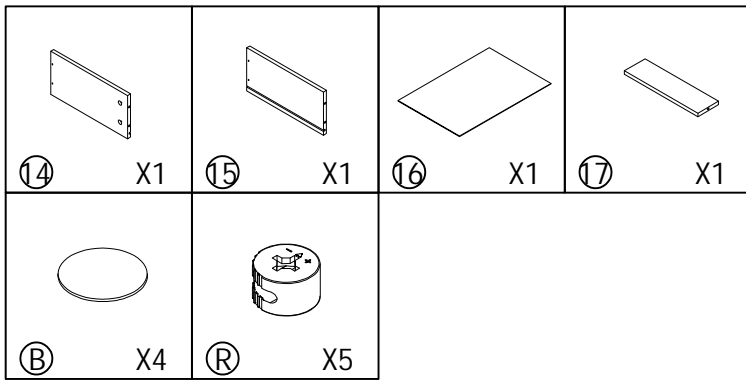
1. TO ADJUST DOOR FORWARD OR BACKWARD.
2. TO ADJUST DOOR TO RIGHT OR TO LEFT.
3. TO ADJUST DOOR UP OR DOWN.

NOTE: Please screw in the elongated hole first to set the correct height.

STEP 15

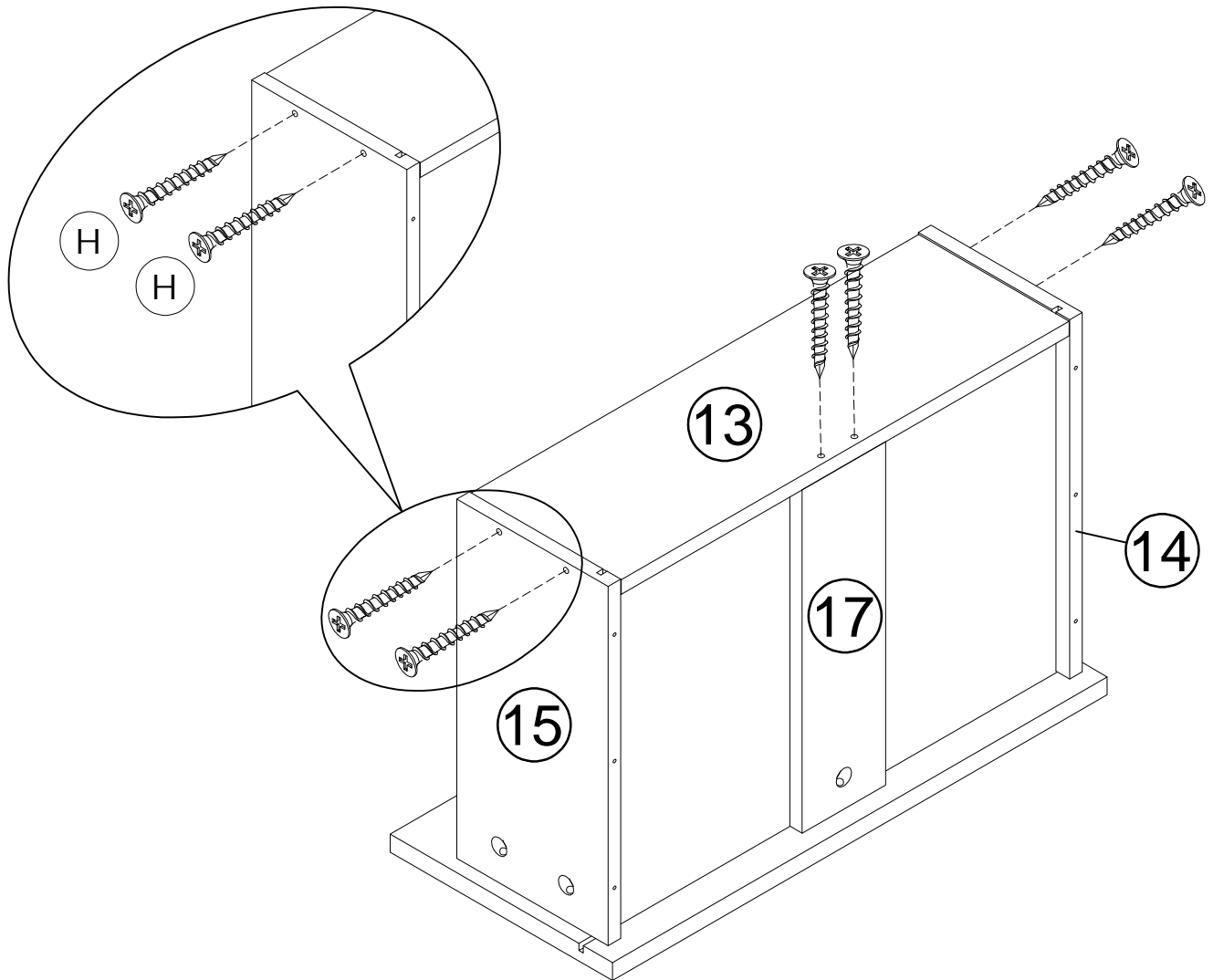
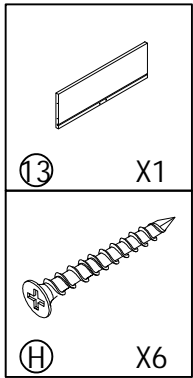


STEP 16

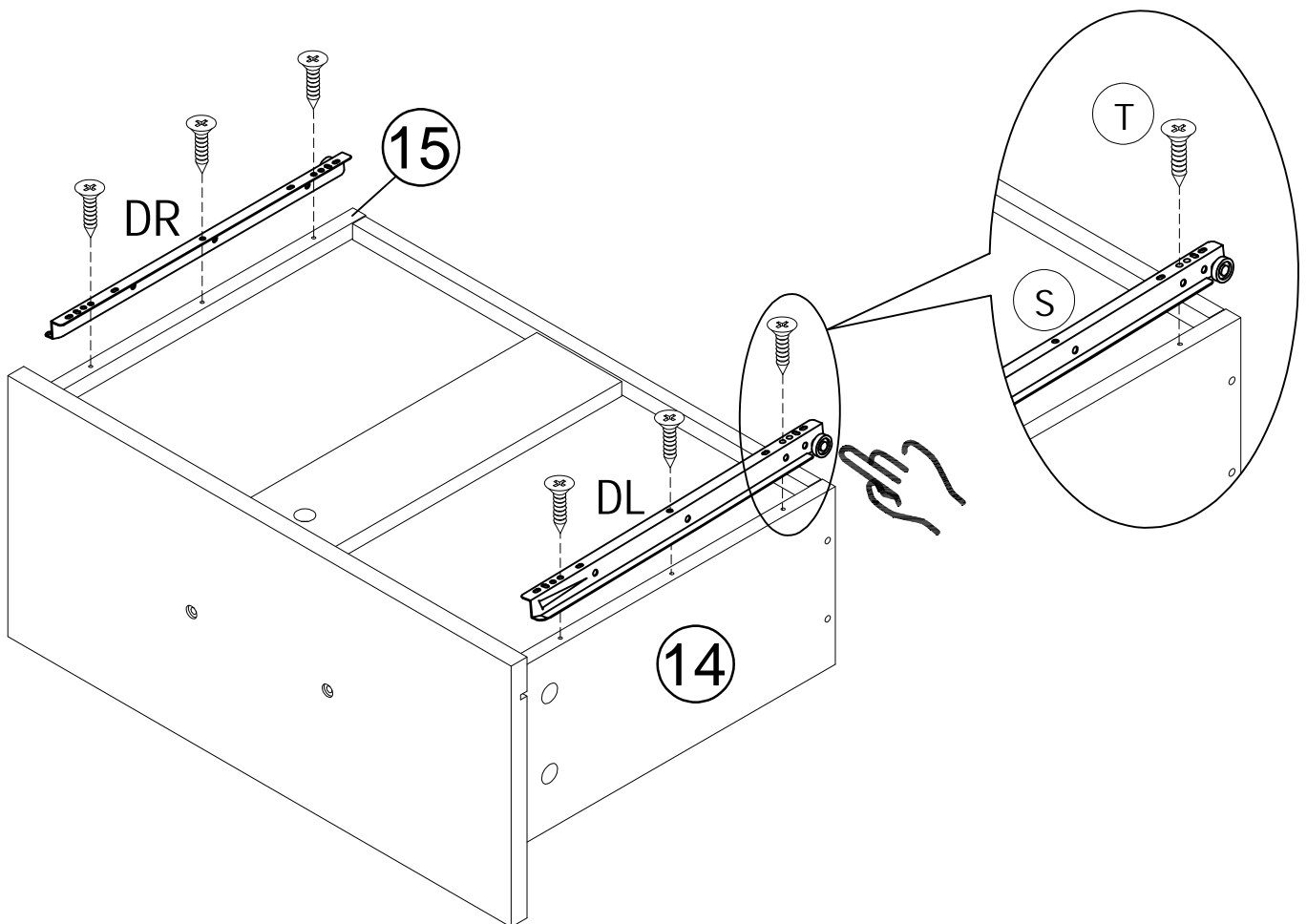
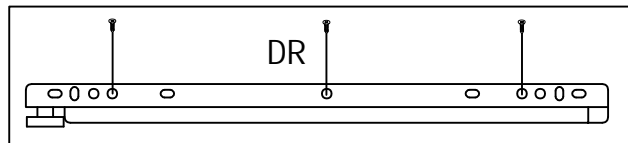
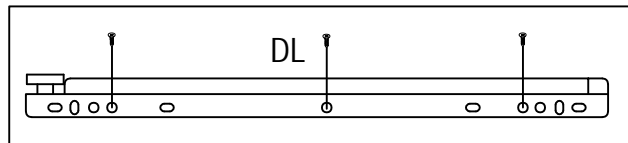
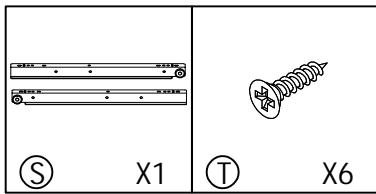


Note: Parts labeled R and D are similar in appearance; please take care to distinguish between them. Part R is slightly shorter than Part D

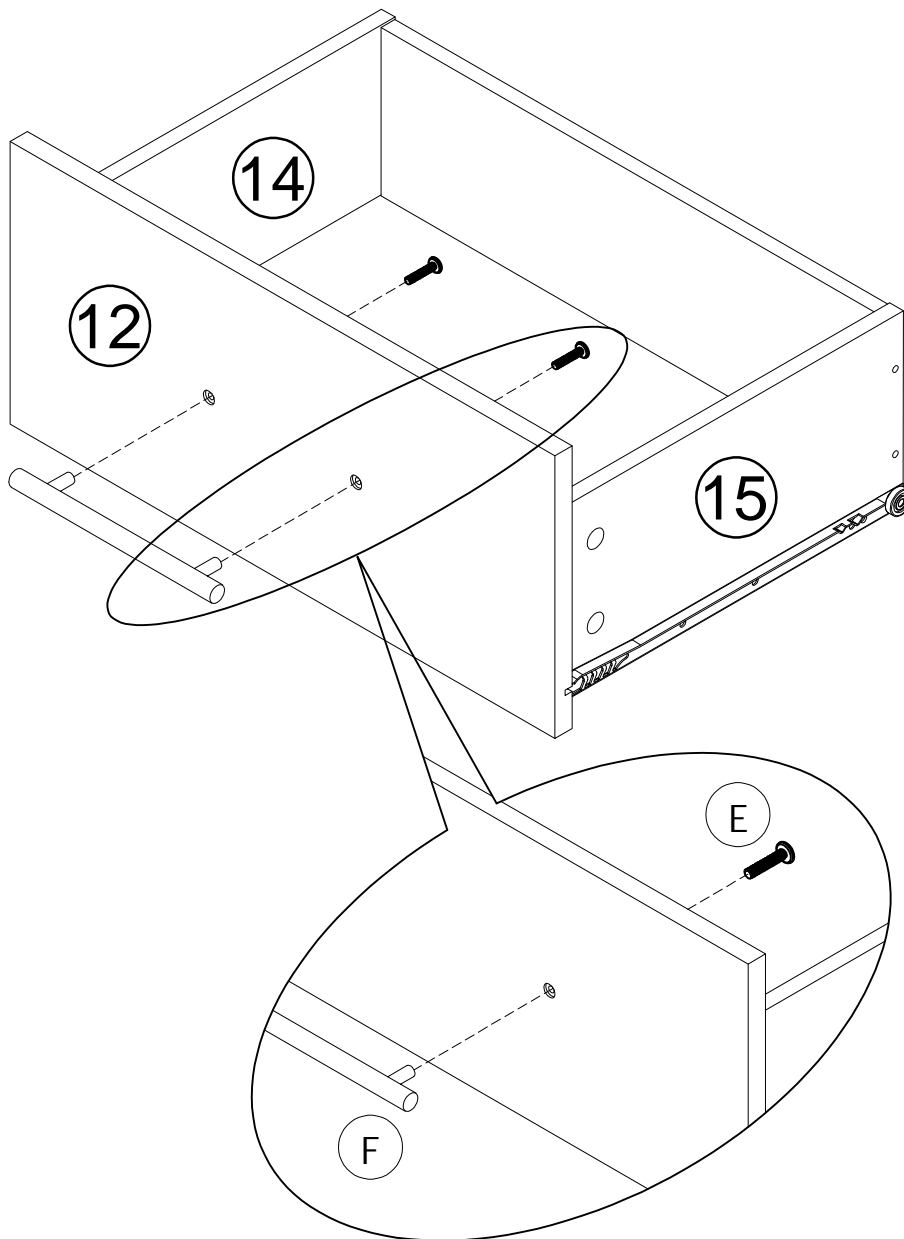
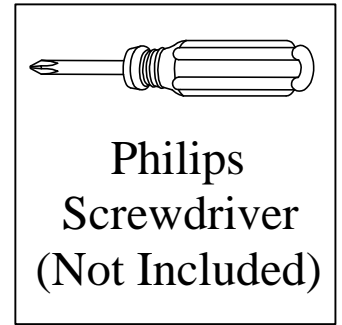
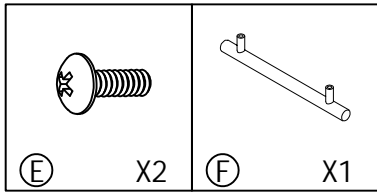
STEP 17



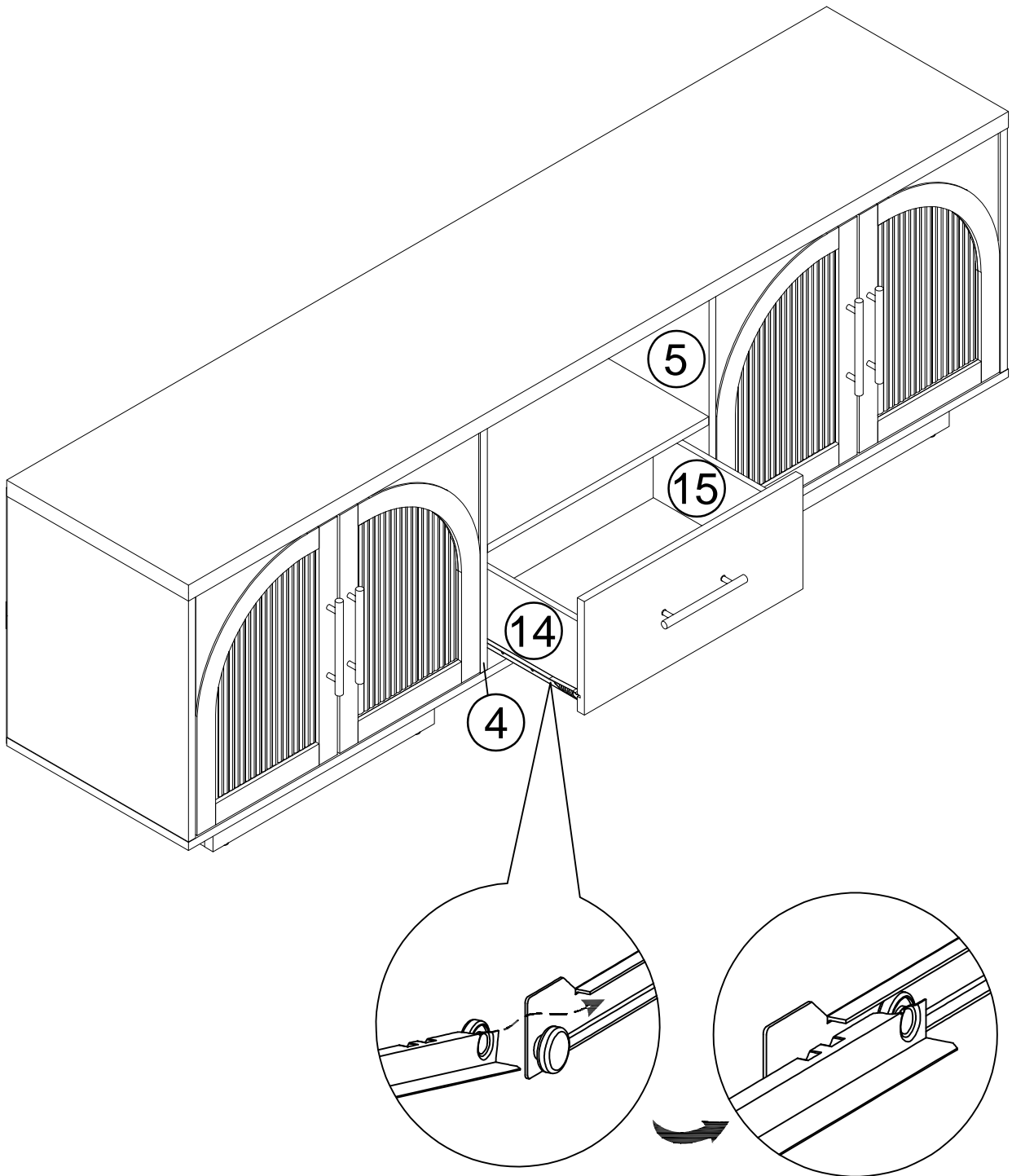
STEP 18



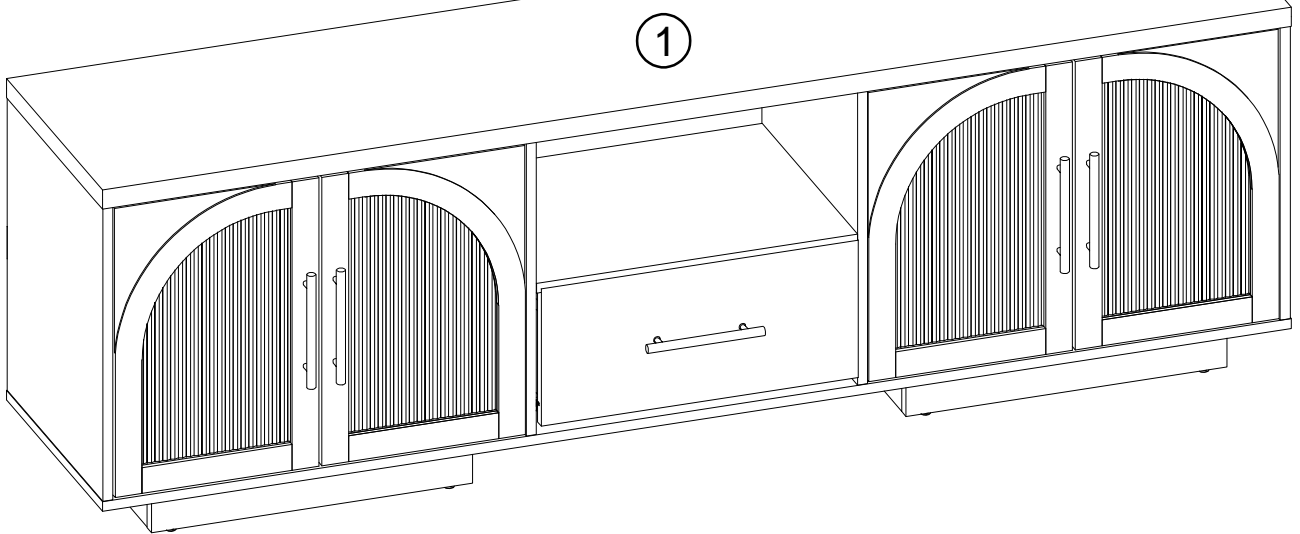
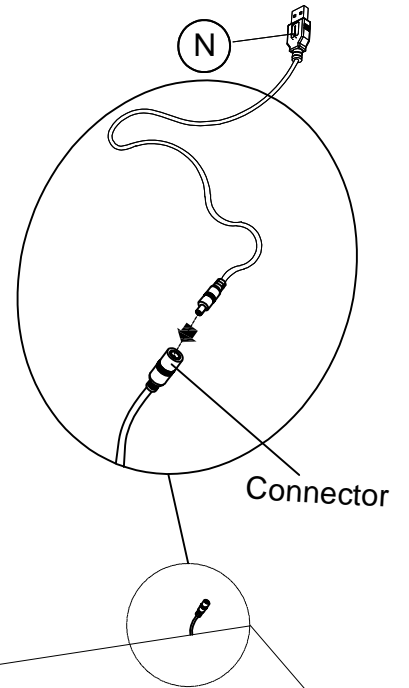
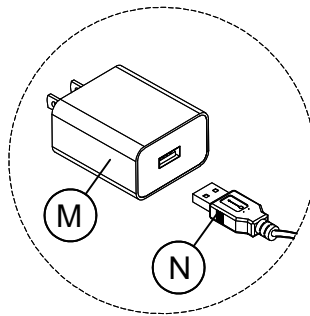
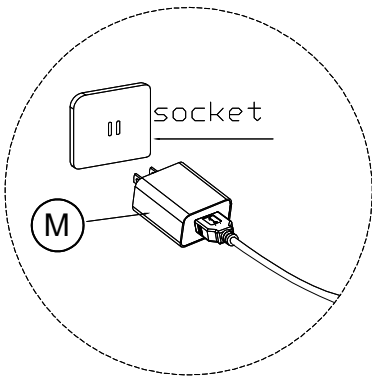
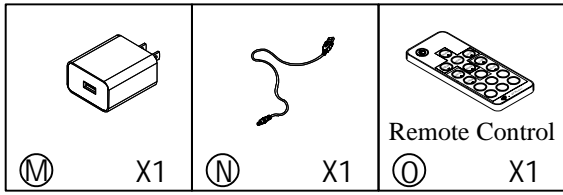
STEP 19



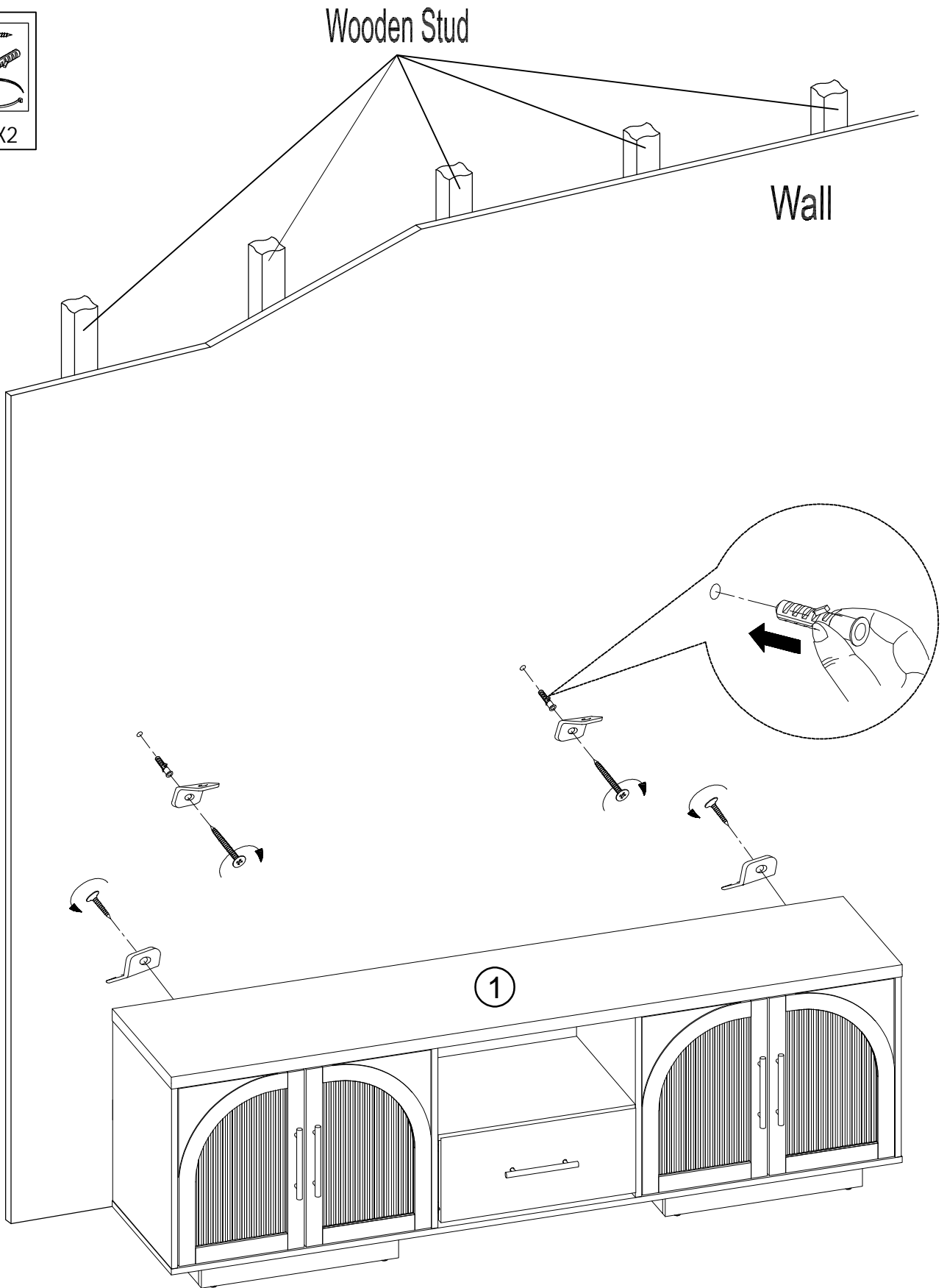
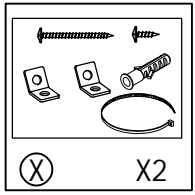
STEP 20



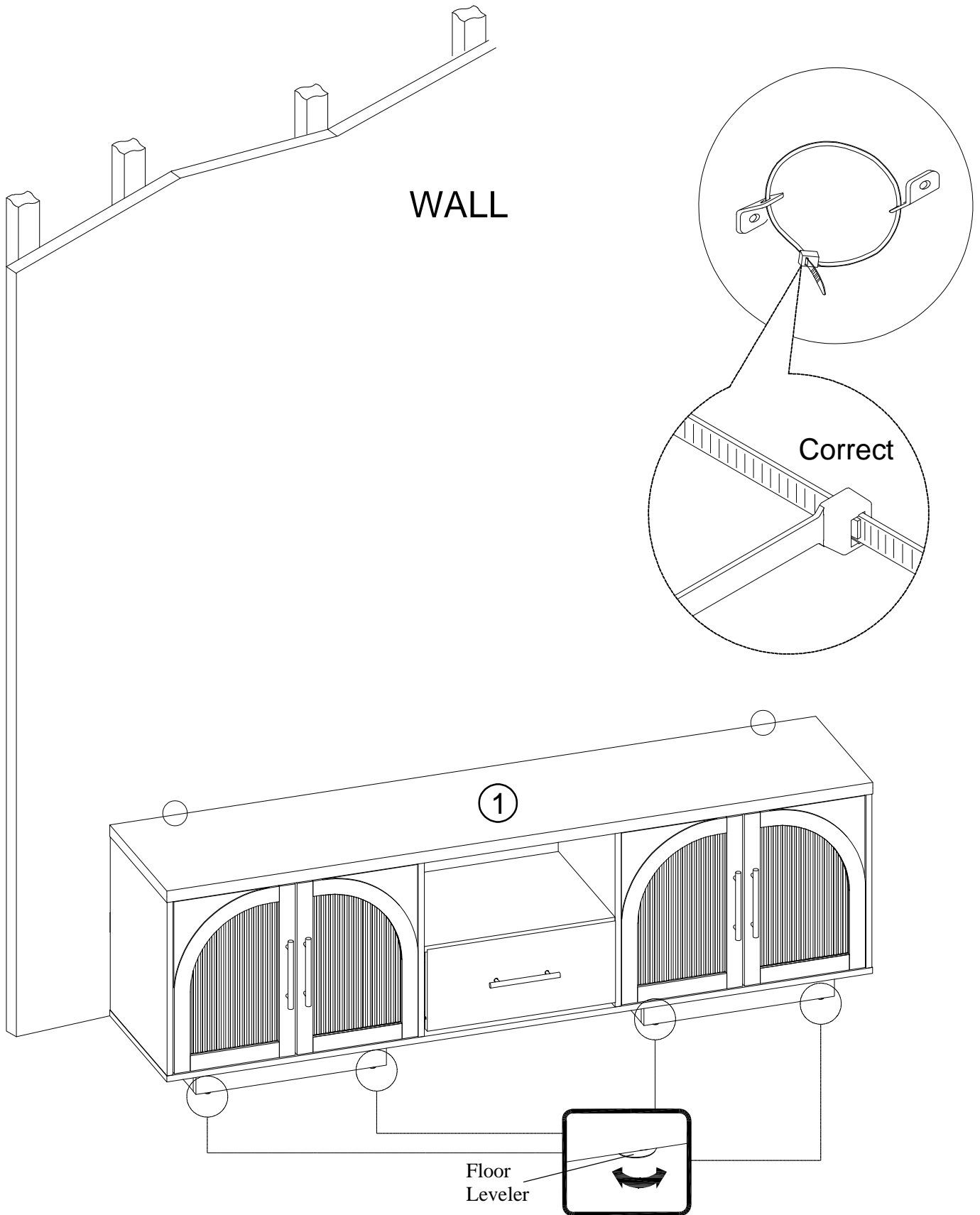
STEP 21



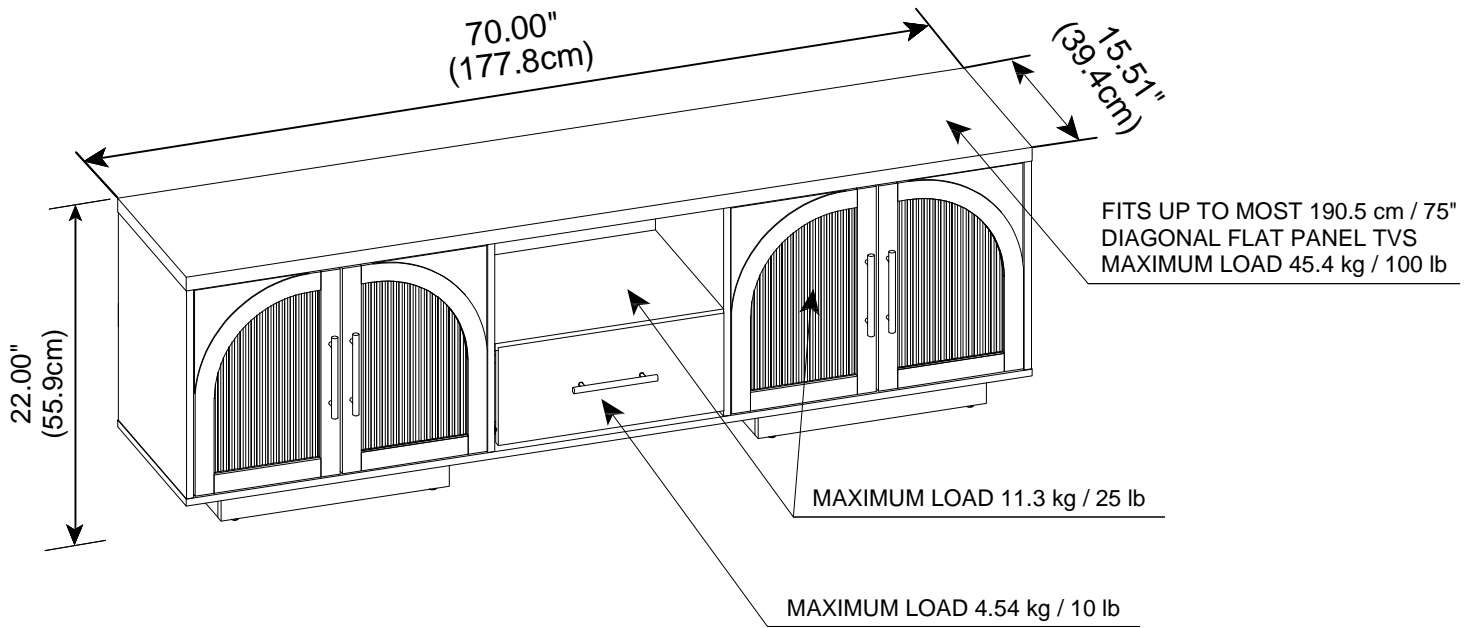
STEP 22



STEP 23



STEP 24



SPECIFICATIONS

ASSEMBLED DIMENSIONS(W x D x H)

70.00" x 15.51 " x 22.00"

177.8 x 39.4 x 55.9 cm

MAXIMUM WEIGHT CAPACITY

Top: 100 lb