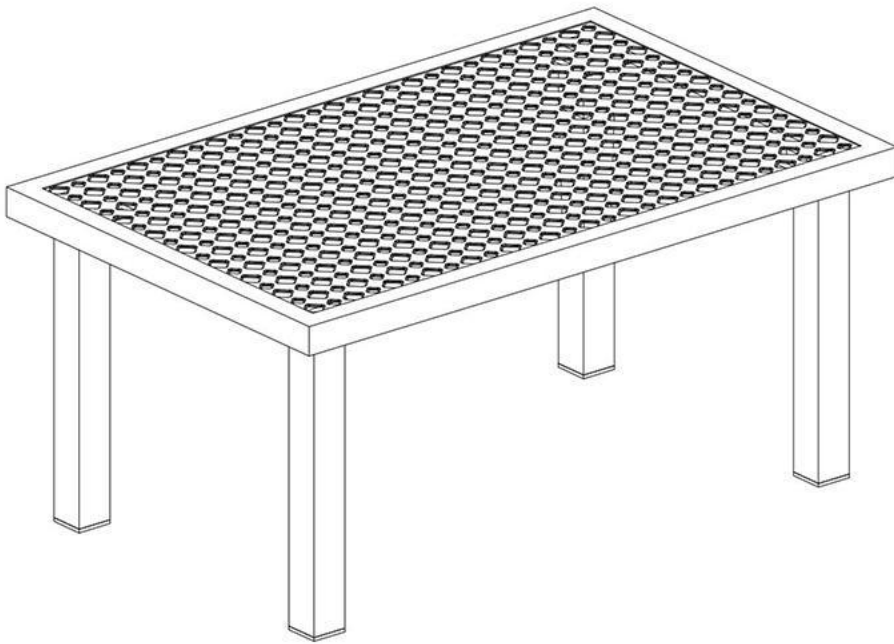
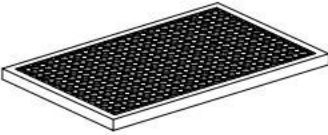
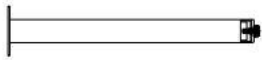


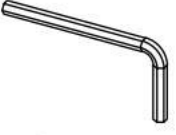
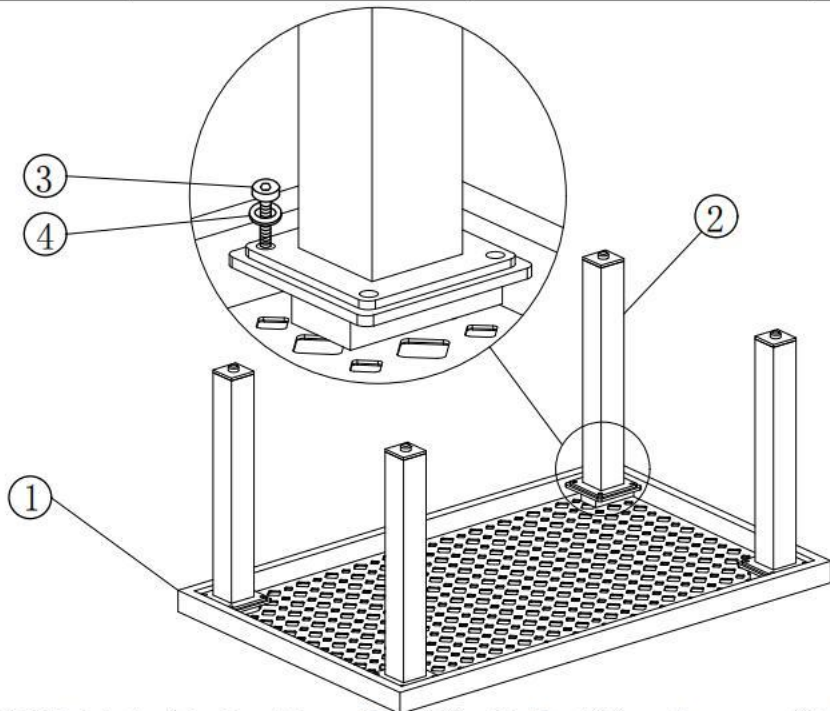


Metal table Assembly Manual



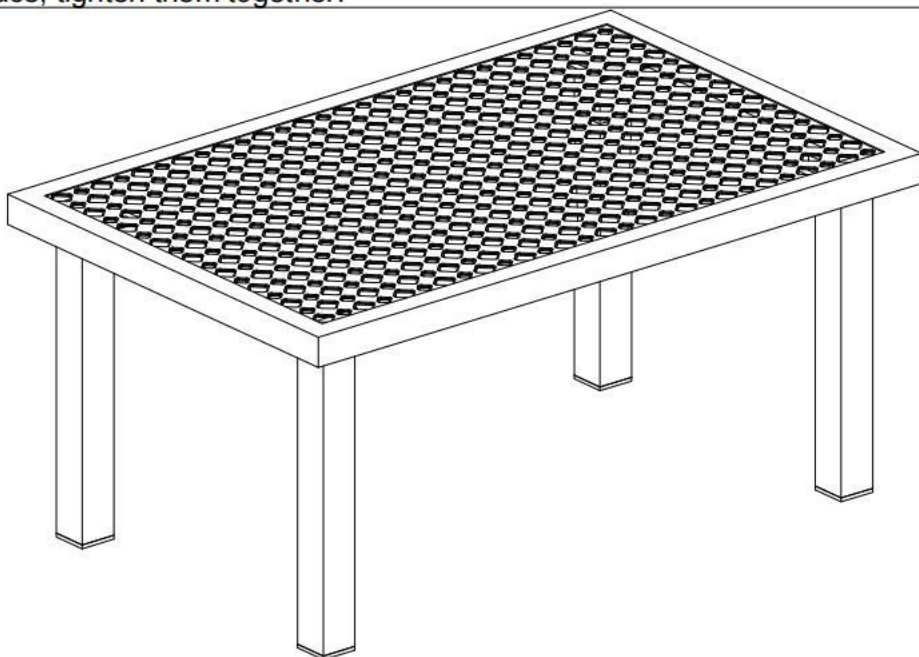
 <p>① 1 X</p>	 <p>② 4 X</p>	 <p>M6X12 ③ 16 X</p>	 <p>D6 ④ 16 X</p>
 <p>⑤ 1 X</p>			

1



Assemble Part ① (Table top) to the 4 legs (Part ②) with Part ③ and screws ④. After all screws are assembled in place, tighten them together.

2



Thanks for your purchase.

At outdoor living, we believe in our products.

That's why we provide a 12-month warranty and

friendly, easy-to-reach after-sales service. So if you

have any questions about our product and assembly-

,please feel free to contact us. We will be here for you.