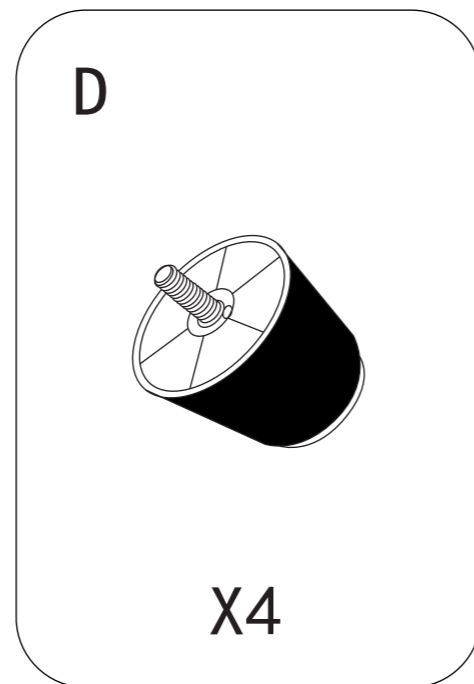
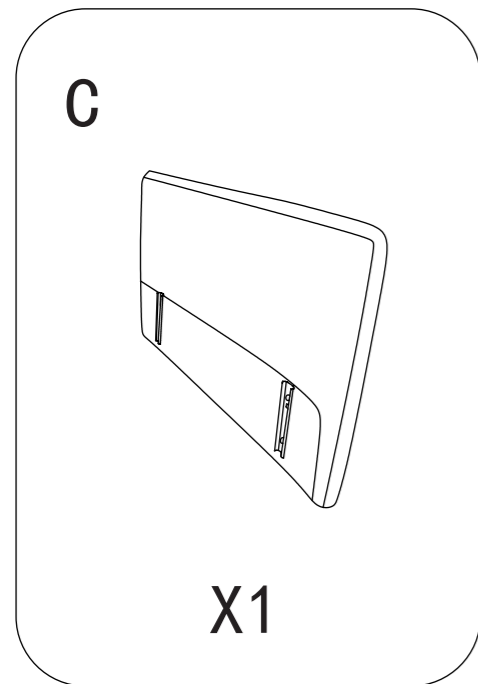
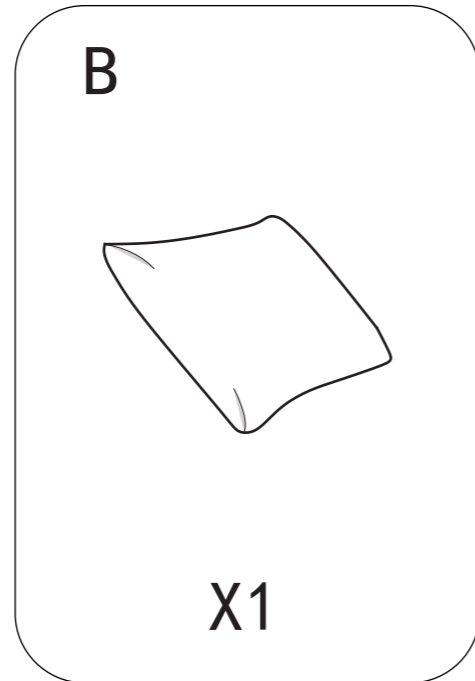
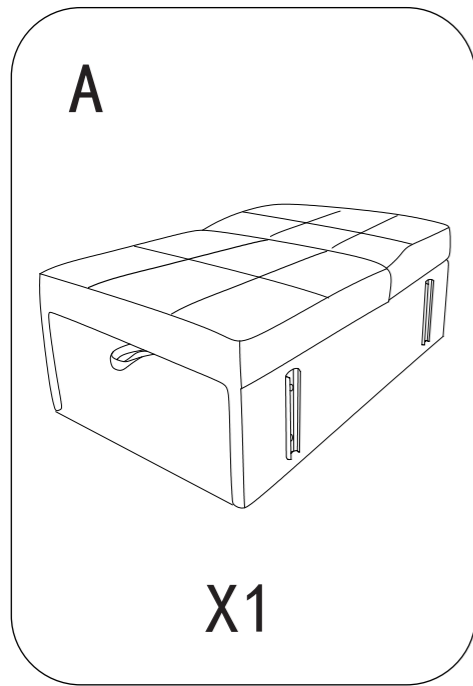
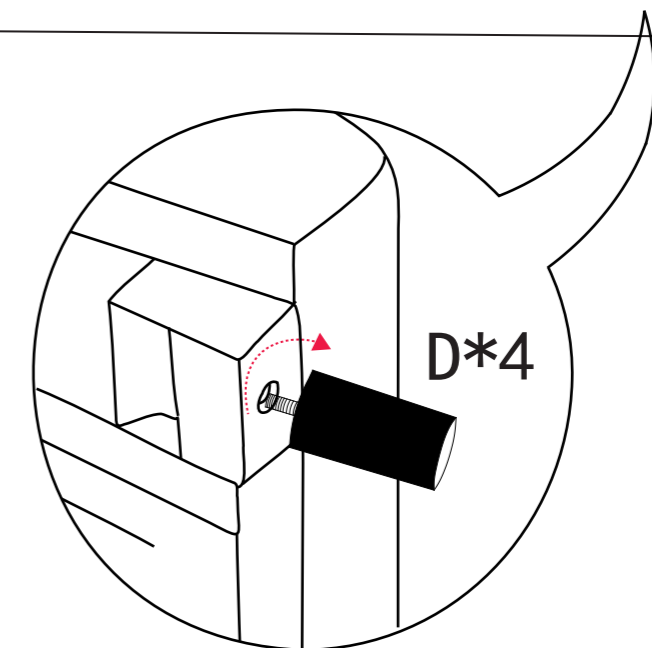
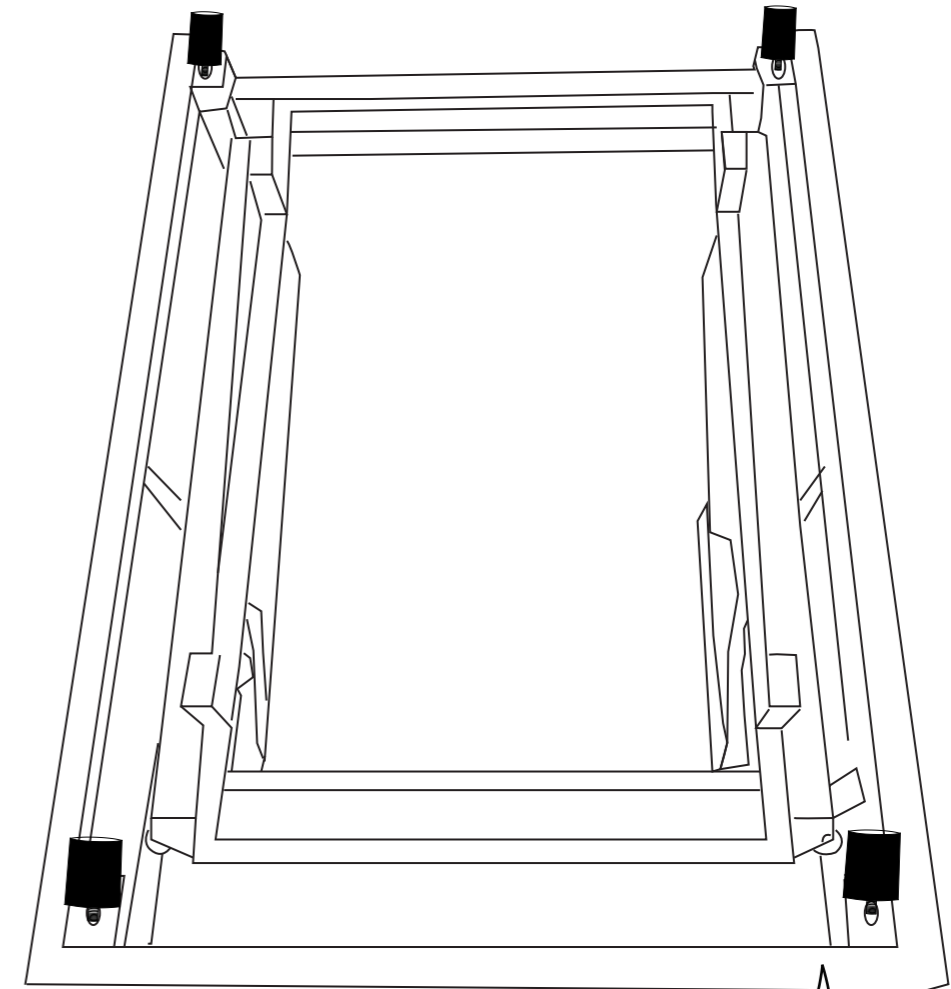


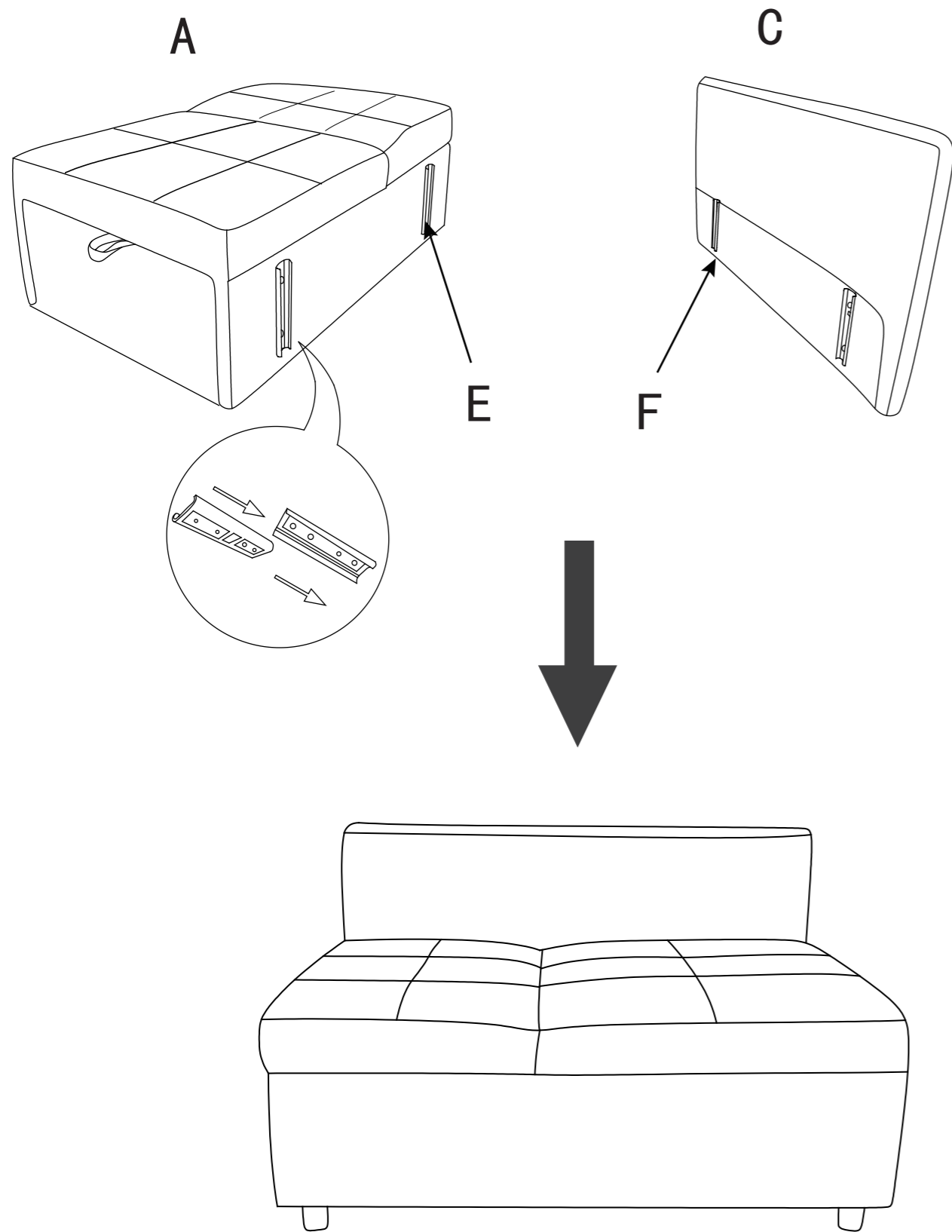
Parts Included



Open the box, take out all the parts, select part# A and part# D (Sofa feet), as shown in the picture, install part D on A

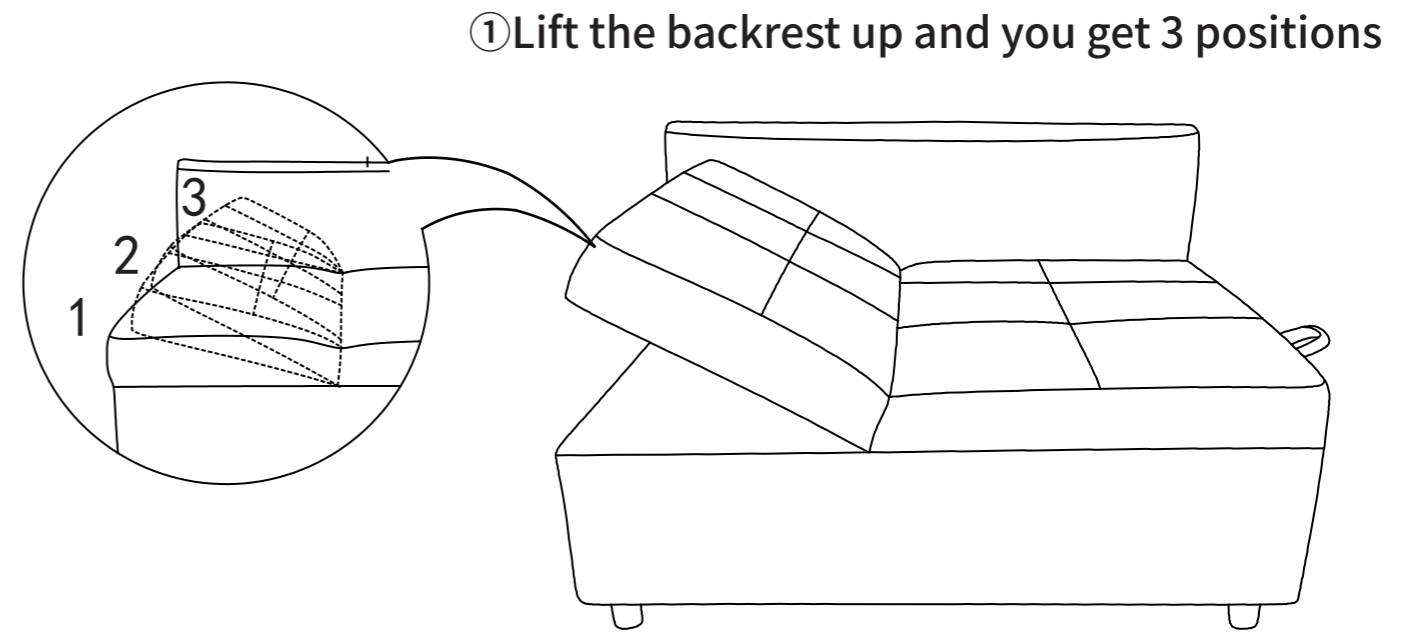


Step2: Armrest Assembly

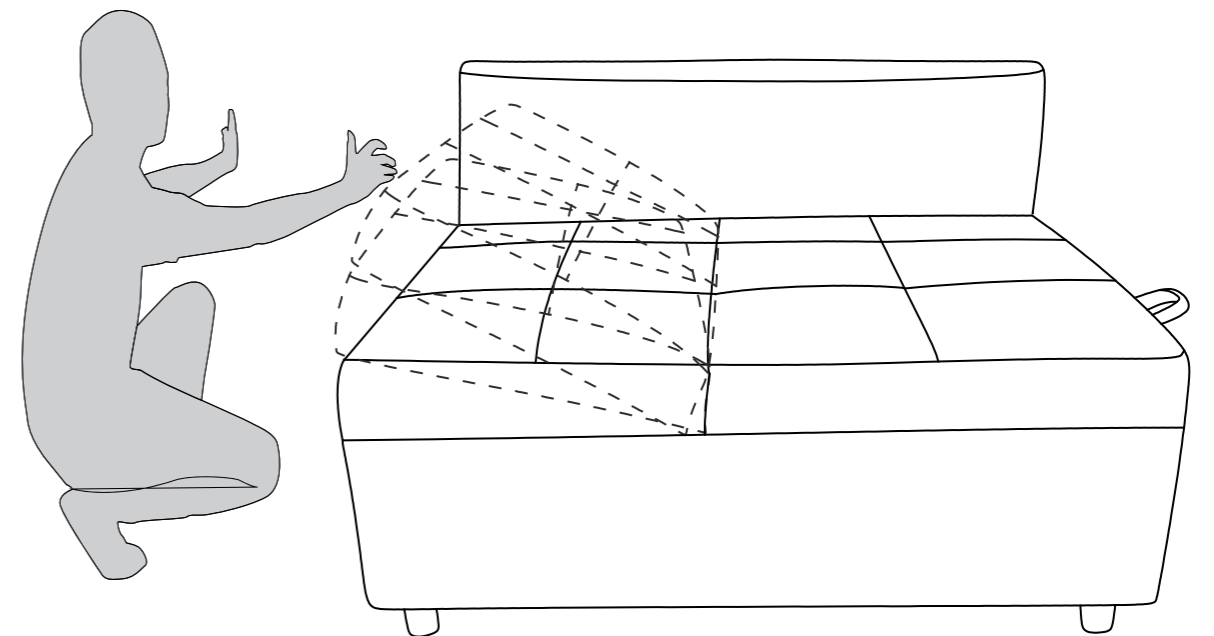


Insert F on Part#C into E on Part#A

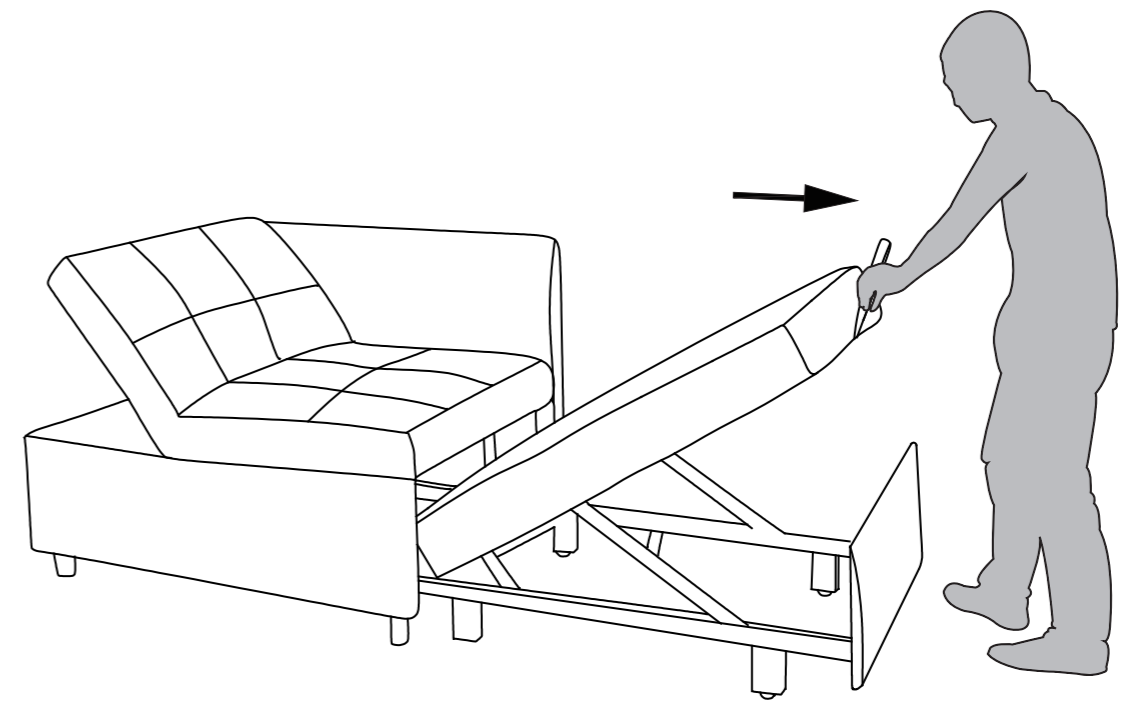
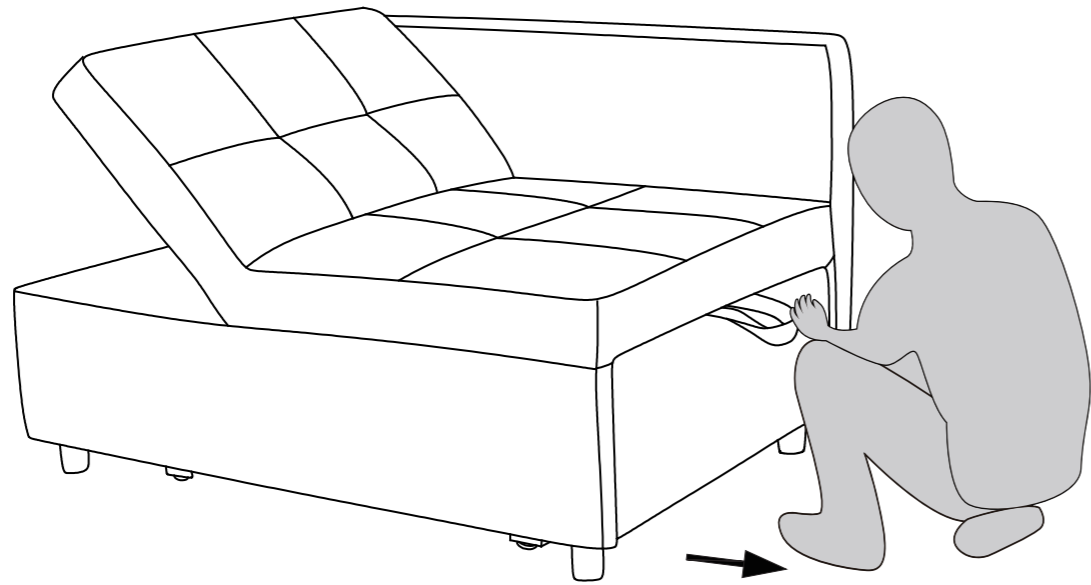
Step3: Backrest adjustment



②Push the backrest forward and make it back to flat again

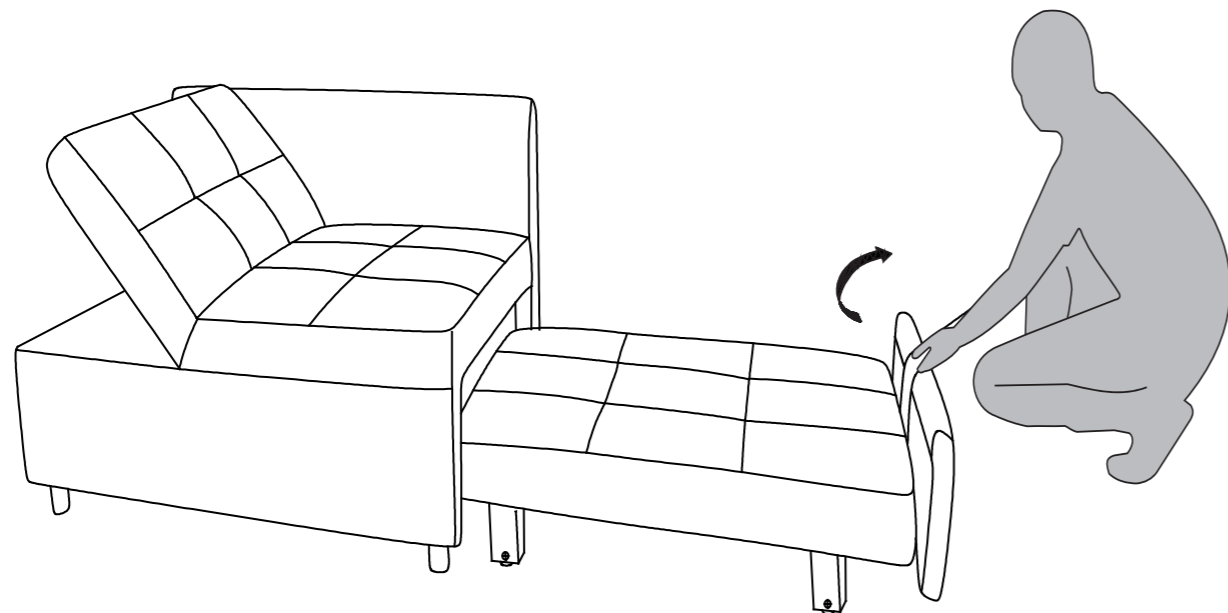


① Pull the strap out and you get ②



③ Pull the strap back and you get ④

② Lift the strap up and you get ③



④ Follow ③, ②, ① and reverse the steps to restore the form in Figure ①

